



US00D448477B1

(12) **United States Design Patent**  
**Bartle et al.**

(10) **Patent No.:** **US D448,477 S**

(45) **Date of Patent:** **\*\* Sep. 25, 2001**

(54) **ABSORBENT PAD**

(76) Inventors: **Andrew Bartle**, 2707 Bonifacio St.,  
Concord, CA (US) 94519; **Anita**  
**McCarthy**, P.O. Box 343, Diablo, CA  
(US) 94528

(\*\*) Term: **14 Years**

(21) Appl. No.: **29/135,892**

(22) Filed: **Jan. 22, 2001**

(51) **LOC (7) Cl.** ..... **24-04**

(52) **U.S. Cl.** ..... **D24/124; D24/206; D24/208**

(58) **Field of Search** ..... D24/124, 183,  
D24/206, 208; 604/358, 384, 385.1; 607/96,  
108, 109, 110, 111; D29/119; D7/388, 389

(56) **References Cited**

**U.S. PATENT DOCUMENTS**

D. 297,521	*	9/1988	Ahn	.....	D11/133
D. 336,549	*	6/1993	Stabile	.....	D29/119
D. 355,051	*	1/1995	Ives	.....	D29/119
D. 365,399	*	12/1995	Silver	.....	D24/206
D. 400,041		10/1998	Selner	.	
D. 403,074	*	12/1998	Piergiorgio et al.	.....	D24/208
D. 406,350	*	3/1999	Cutler	.....	D24/206

2,497,443	*	2/1950	Eatman	.....	607/108
2,727,242		12/1955	Pascal	.	
5,181,563		1/1993	Amaral	.	
5,249,320		10/1993	Moretz et al.	.	
5,685,257		11/1997	Feibus	.	
5,933,886		8/1999	Washington	.	

\* cited by examiner

*Primary Examiner*—Stella Reid

(57) **CLAIM**

The ornamental design for an absorbent pad, as shown and described.

**DESCRIPTION**

FIG. 1 is a front elevational view of the absorbent pad of the present invention;  
FIG. 2 is a rear elevational view of the absorbent pad of FIG. 1;  
FIG. 3 is a right side elevational view of the absorbent pad of FIG. 1, the left view being a mirror image thereof;  
FIG. 4 is a top plan view of the absorbent pad of FIG. 1;  
FIG. 5 is a bottom plan view of the absorbent pad of FIG. 1; and,  
FIG. 6 is a cross-sectional view of FIG. 1 taken along line 6—6.

**1 Claim, 2 Drawing Sheets**

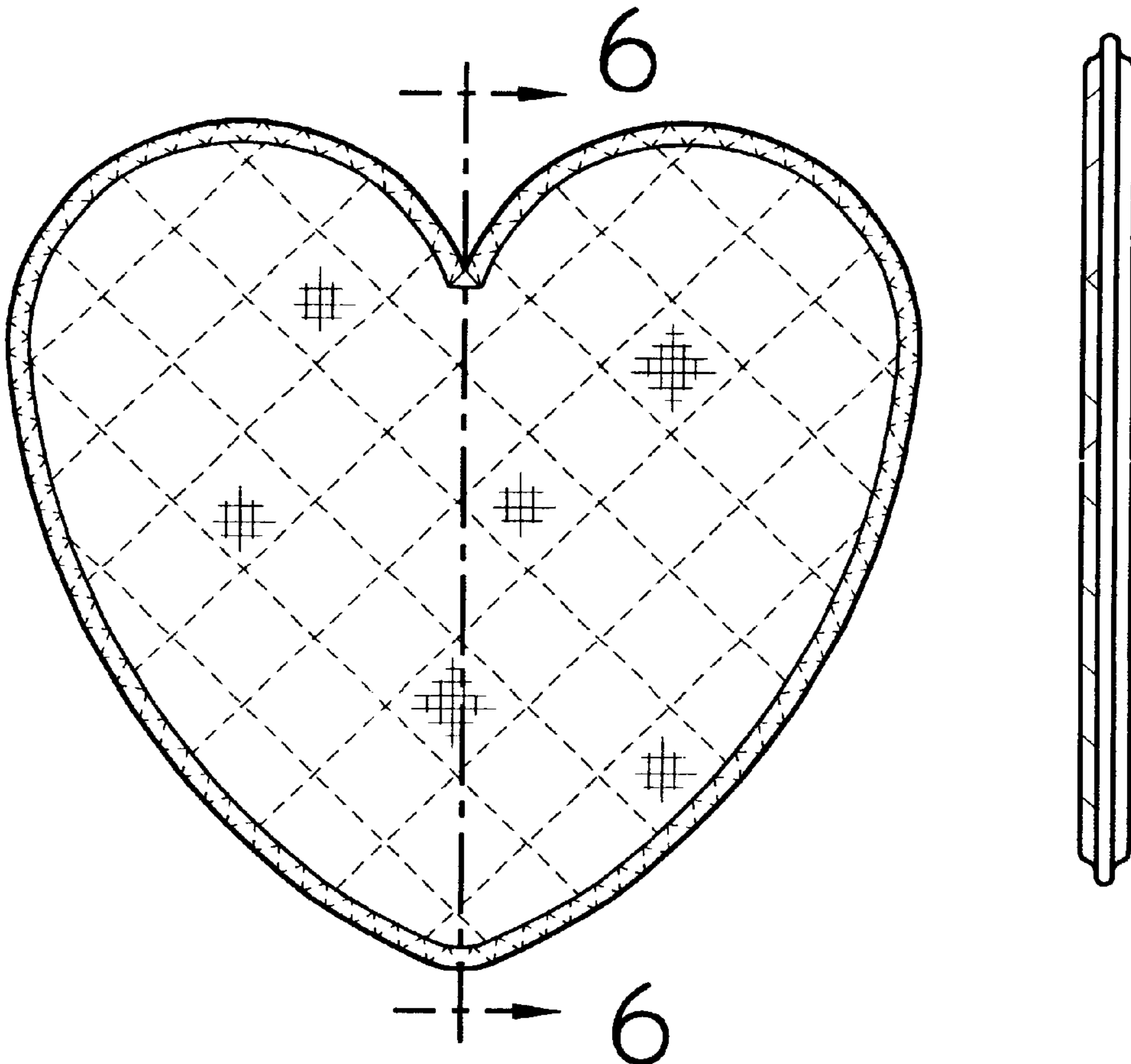


FIG. 1

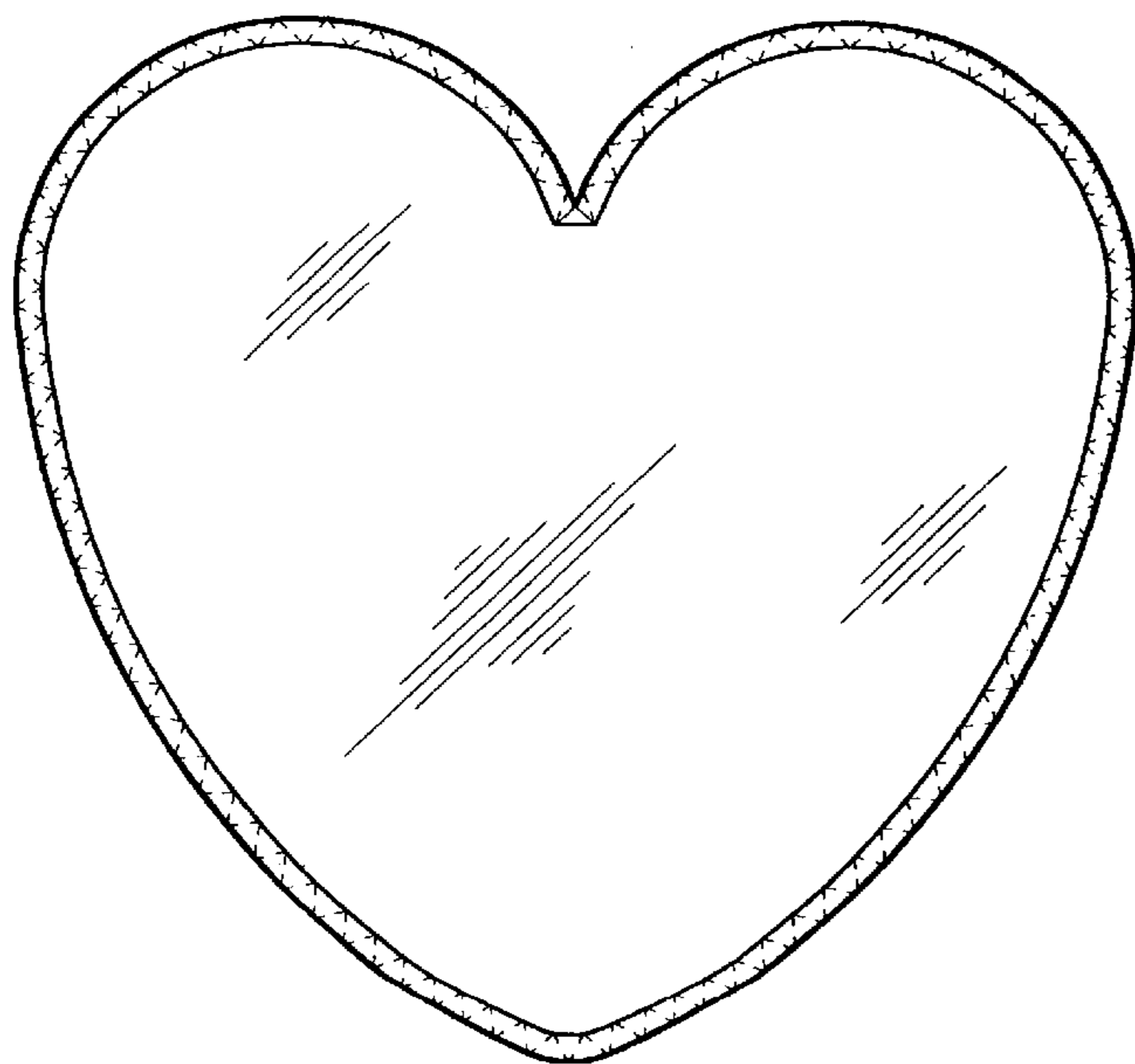
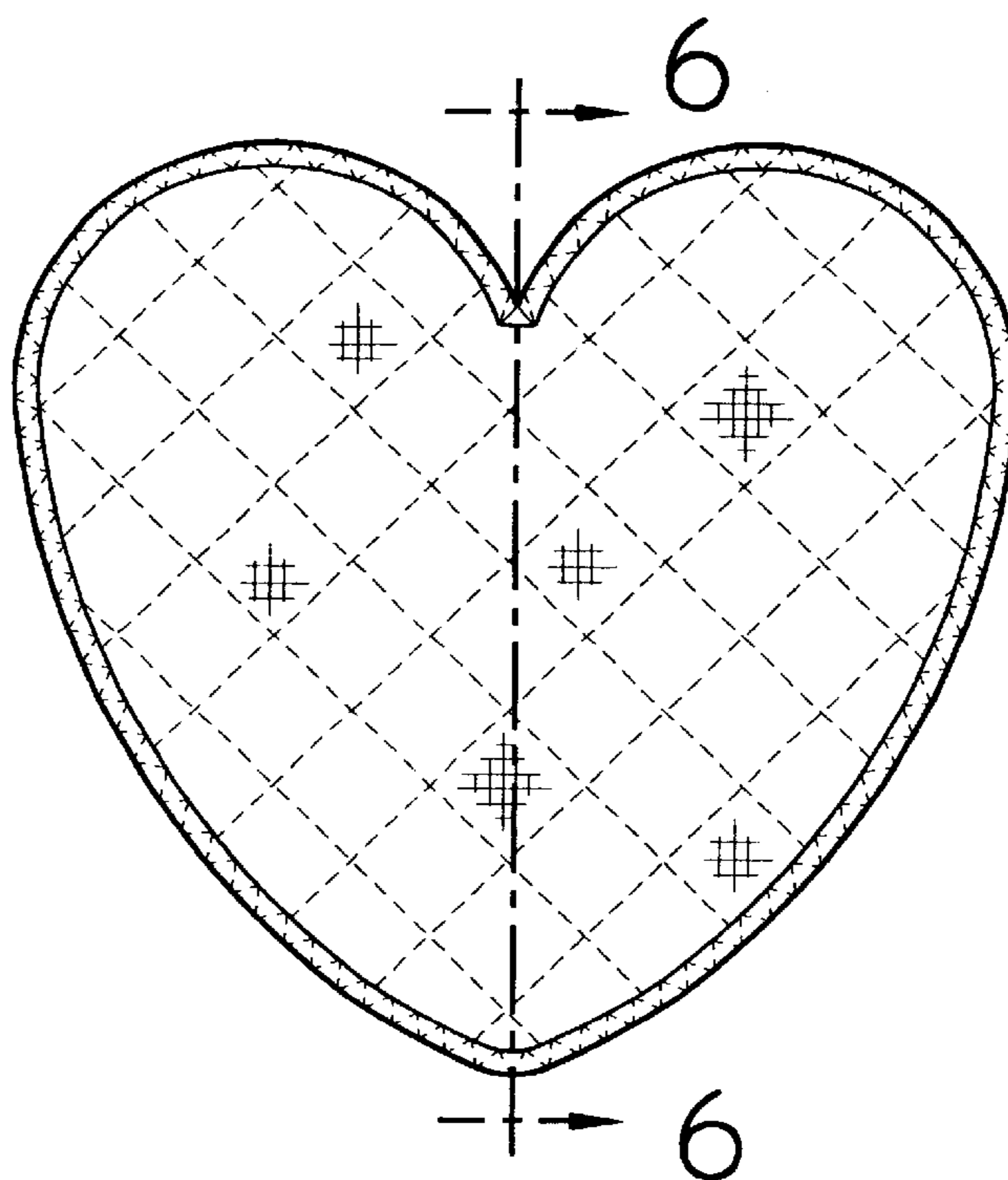


FIG. 2

FIG. 3



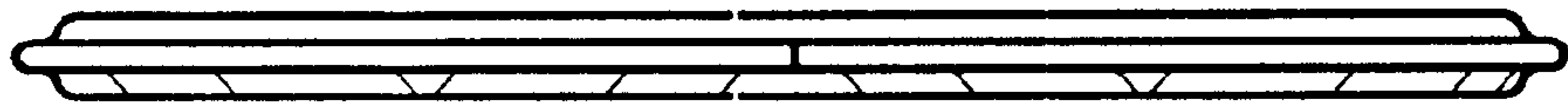


FIG. 4



FIG. 5

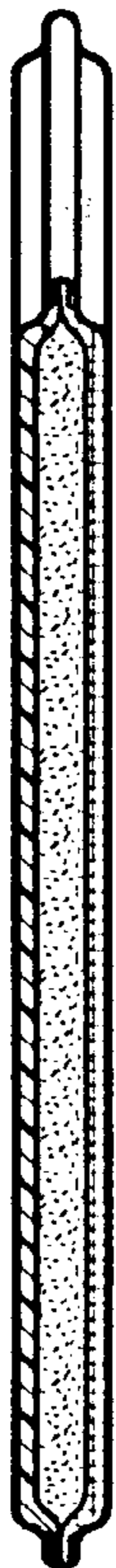


FIG. 6