



US00D448475B1

(12) **United States Design Patent**
Jansen et al.

(10) **Patent No.:** **US D448,475 S**

(45) **Date of Patent:** **** Sep. 25, 2001**

(54) **DRUG CONTAINER HOLDER**

(75) Inventors: **Hubert Jansen**, Poisat; **Lionel Vedrine**,
Saint Martin D’Heres; **Eric Denis**;
Samuel Bernier, both of Caluire et
Cuire; **Emmanuel Delarue**, Sainte Foy
les Lyon, all of (FR)

(73) Assignee: **Becton, Dickinson and Company**,
Franklin Lakes

(**) Term: **14 Years**

(21) Appl. No.: **29/121,334**

(22) Filed: **Apr. 5, 2000**

Related U.S. Application Data

(63) Continuation-in-part of application No. 29/112,339, filed on
Oct. 14, 1999.

(51) **LOC (7) Cl.** **24-02**

(52) **U.S. Cl.** **D24/114; D24/110; D24/130**

(58) **Field of Search** **D24/110, 112,**
D24/133, 130, 128, 114, 113; 128/200.19,
200.14, 200.22; 604/197, 232, 196, 220,
210, 193, 198

(56) **References Cited**

U.S. PATENT DOCUMENTS

D. 331,106	*	11/1992	Fuchs	D24/110
D. 414,555	*	9/1999	Ritsche	D24/110
D. 425,198	*	5/2000	Porta	D24/130
D. 433,123	*	10/2000	Sheppard et al.	D24/110
5,514,107	*	5/1996	Haber et al.	604/232

* cited by examiner

Primary Examiner—Ian Simmons

(74) *Attorney, Agent, or Firm*—Allen W. Wark

(57) **CLAIM**

The ornamental design for a drug container holder, as shown
and described.

DESCRIPTION

FIG. 1 is a top, side and distal end perspective view of a drug
container holder showing our new design;

FIG. 2 is a distal end view;

FIG. 3 is a proximal end view;

FIG. 4 is a top plan view having a bottom plan view being
a mirror image; and,

FIG. 5 is a left side elevational view having a right side view
being a mirror image.

1 Claim, 2 Drawing Sheets

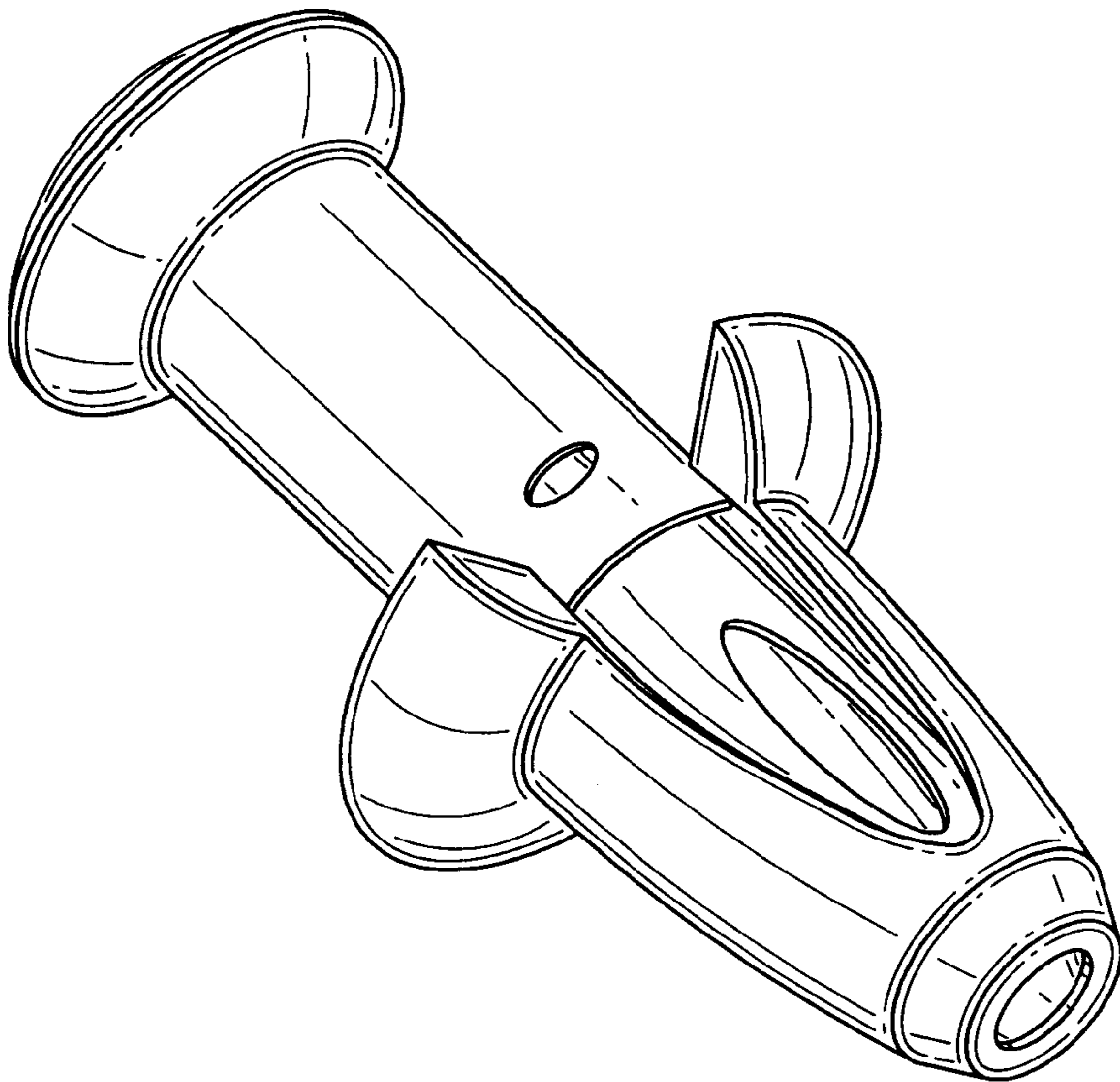


FIG. 1

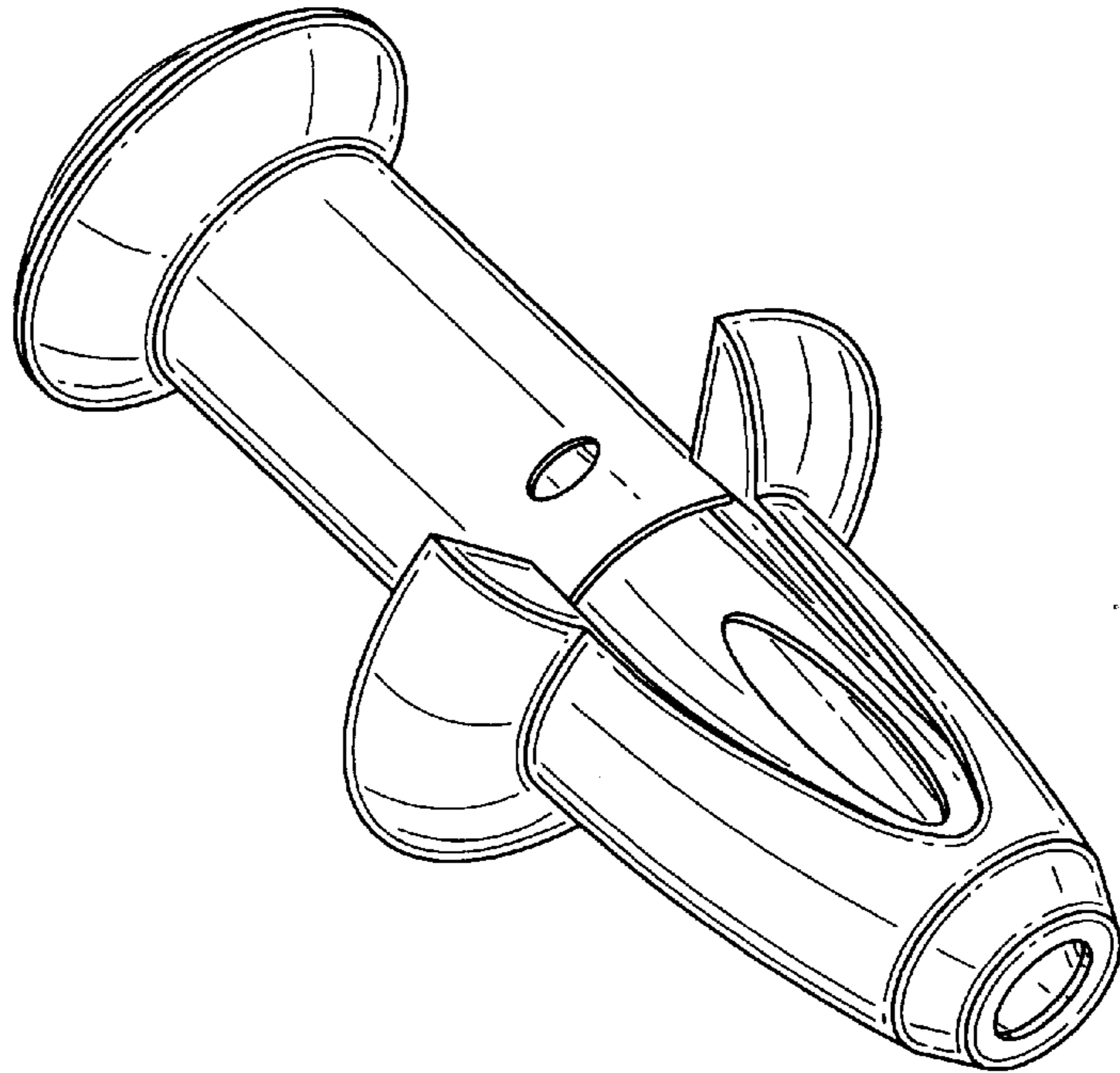


FIG. 2

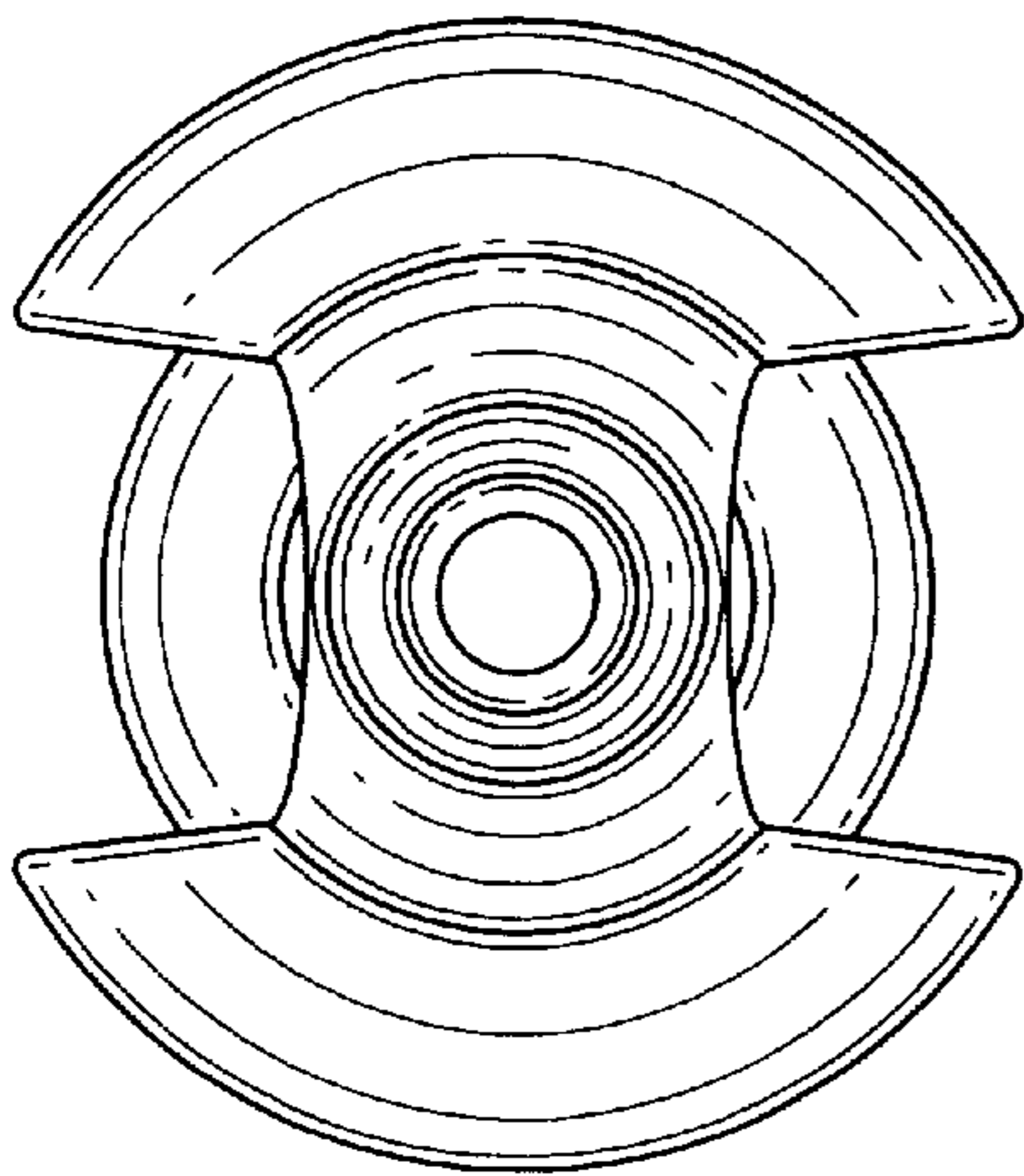


FIG. 3

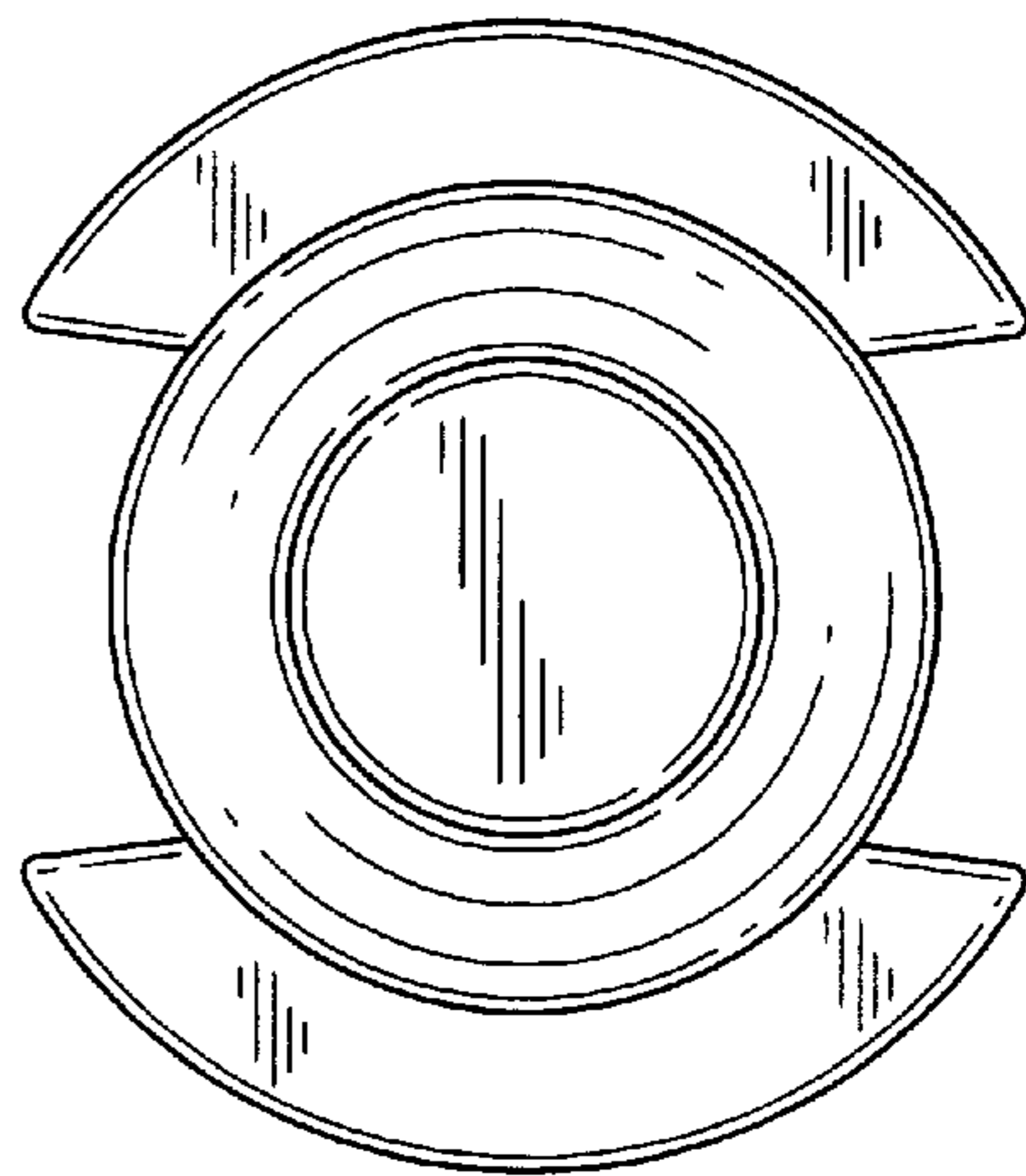


FIG. 4

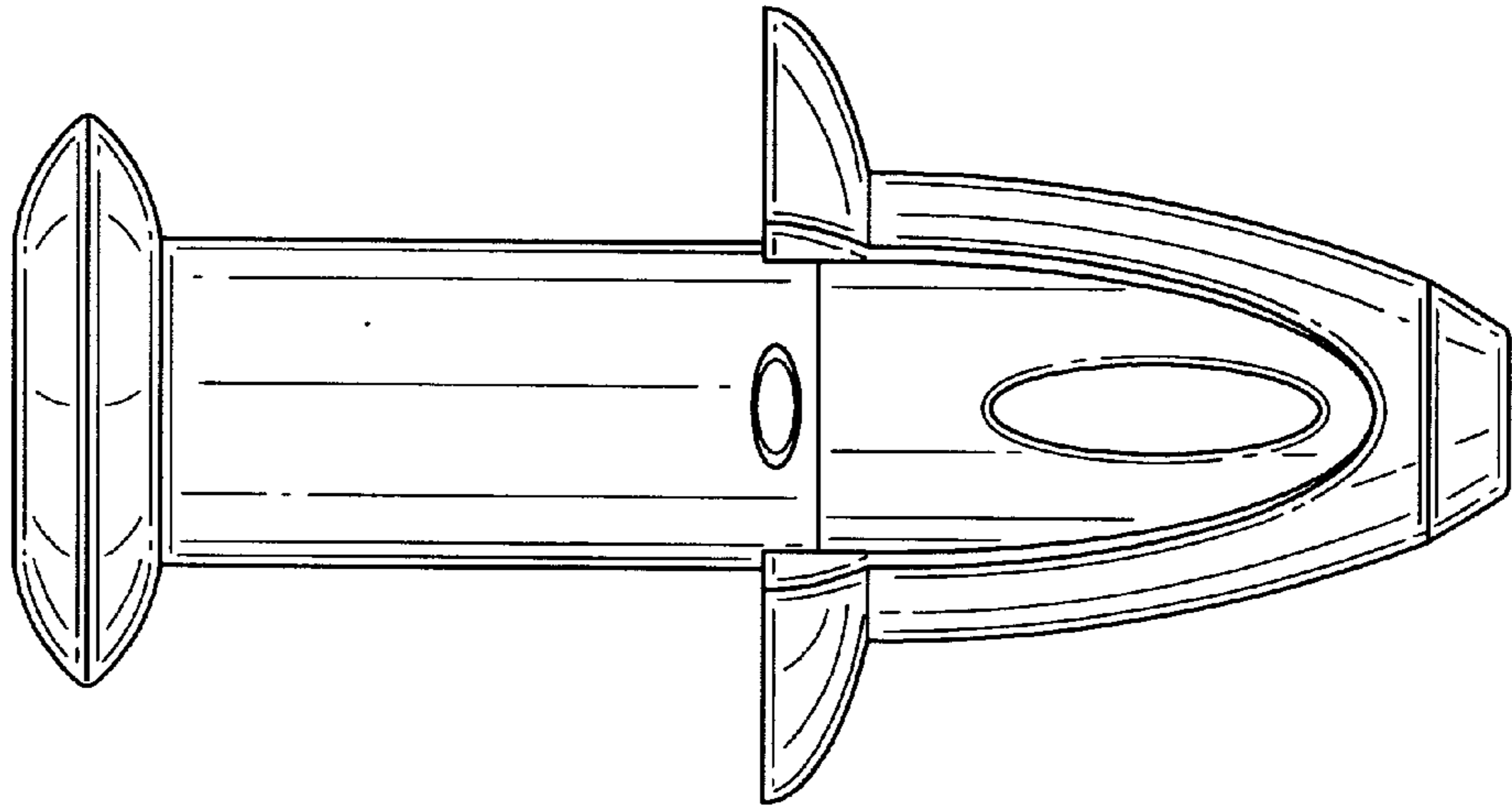


FIG. 5

