



US00D448474B1

(12) **United States Design Patent**
Jansen et al.

(10) **Patent No.:** **US D448,474 S**

(45) **Date of Patent:** **** Sep. 25, 2001**

(54) **DRUG CONTAINER HOLDER**

(75) Inventors: **Hubert Jansen**, Poisat; **Lionel Vedrine**,
Saint Martin d'Herès; **Eric Denis**;
Samuel Bernier, both of Caluire et
Cuire; **Emmanuel Delarue**, Sainte Foy
les Lyon, all of (FR)

4,599,082 7/1986 Grimard .
4,613,326 9/1986 Szwarc .
4,673,110 6/1987 Workum .
4,767,416 8/1988 Wolf et al. . 4,883,470 .. 11/1989
..... Haindl .

(List continued on next page.)

FOREIGN PATENT DOCUMENTS

(73) Assignee: **Becton, Dickinson and Company**,
Franklin Lakes, NJ (US)

(**) Term: **14 Years**

(21) Appl. No.: **29/121,333**

(22) Filed: **Apr. 5, 2000**

0835820A1 3/1991 (EP) .
0452728A1 10/1991 (EP) .
0334349B1 2/1992 (EP) .
0546607A1 11/1992 (EP) .
0546607B1 11/1992 (EP) .
0606672B1 7/1994 (EP) .
0562943B1 9/1996 (EP) .
0835820B1 4/1998 (EP) .
0862921A2 9/1998 (EP) .
0870699A2 10/1998 (EP) .
0810955B1 12/1998 (EP) .
2738555 9/1995 (FR) .
2743353 1/1996 (FR) .
2746657A1 3/1996 (FR) .
2758801 1/1997 (FR) .
2761281A1 3/1997 (FR) .

(List continued on next page.)

Related U.S. Application Data

(63) Continuation-in-part of application No. 29/112,339, filed on
Oct. 14, 1999.

(51) **LOC (7) Cl.** **24-02**

(52) **U.S. Cl.** **D24/114; D24/110; D24/130**

(58) **Field of Search** **D24/110, 112,**
D24/133, 114, 128, 130, 113; 128/200.19,
200.14, 200.22; 604/197, 232, 192, 220,
210, 193, 198

Primary Examiner—Ian Simmons

(74) *Attorney, Agent, or Firm*—Allen W. Wark

(56) **References Cited**

(57) **CLAIM**

U.S. PATENT DOCUMENTS

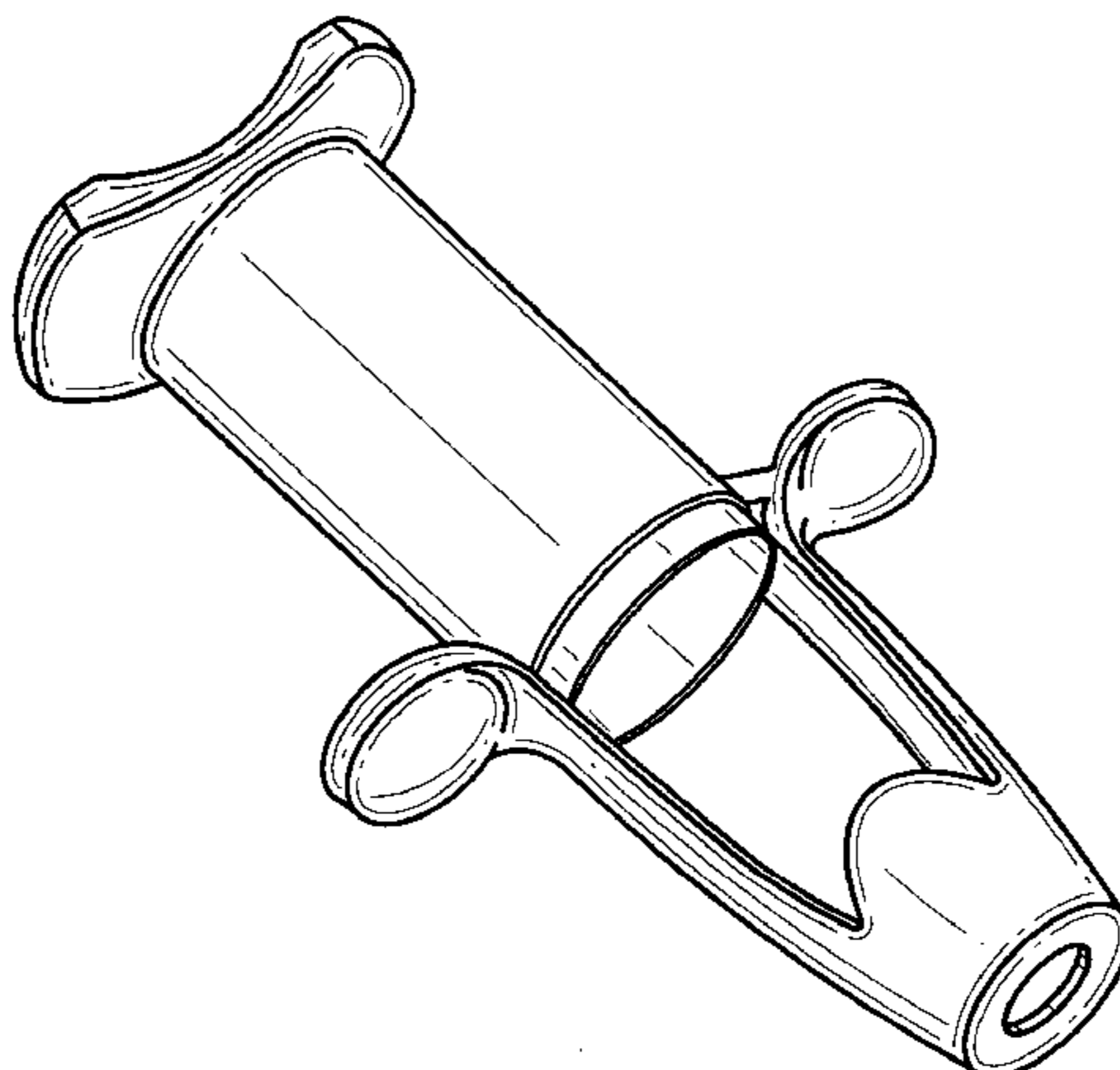
The ornamental design for a drug container holder, as shown
and described.

D. 212,991 * 12/1968 Evers et al. D24/114
D. 226,767 * 4/1973 Dragen D24/114
D. 328,643 * 8/1992 Mitchell D24/114
D. 331,106 * 11/1992 Fuchs D24/110
D. 401,323 11/1998 Ritsche .
D. 414,555 * 9/1999 Ritsche D24/110
D. 418,222 * 12/1999 Pellow D24/130
D. 425,198 * 5/2000 Porta D24/130
D. 433,123 * 10/2000 Sheppard et al. D24/110
3,874,380 4/1975 Baum .
3,874,381 4/1975 Baum .
4,061,254 12/1977 Nilson .
4,235,235 11/1980 Bekkering .
4,344,573 8/1982 De Felice .
4,405,308 9/1983 Jessup .

DESCRIPTION

FIG. 1 is a top, side and distal end perspective view of a drug
container holder showing our new design;
FIG. 2 is a distal end view;
FIG. 3 is a proximal end view;
FIG. 4 is a top plan view having a bottom plan view being
a mirror image; and,
FIG. 5 is a left side elevational view having a right side view
being a mirror image.

1 Claim, 2 Drawing Sheets



U.S. PATENT DOCUMENTS

4,919,167	4/1990	Manska .	
4,923,447	5/1990	Morgan .	
4,923,448	5/1990	Ennis, III .	
4,929,230	5/1990	Pfleger .	
4,944,431	7/1990	Blake .	
4,962,868	10/1990	Borchard .	
4,964,866	10/1990	Szwarc .	
4,966,535	10/1990	Lina et al. .	
4,986,818	1/1991	Imbert et al. .	
4,994,045	2/1991	Ranford .	
5,171,219	12/1992	Fujioka et al. .	
5,181,658	1/1993	Behar .	
5,284,132	2/1994	Geier .	
5,289,818	3/1994	Citterio et al. .	
5,427,280	6/1995	Fuchs .	
5,447,151	9/1995	Bruna et al. .	
5,511,698	4/1996	Solignac .	
5,514,107 *	5/1996	Haber et al.	604/232
5,519,980	5/1996	Guentert et al. .	
5,584,417	12/1996	Graf et al. .	
5,601,077	2/1997	Imbert .	
5,607,400	3/1997	Thibault et al. .	
5,630,793	5/1997	Rowe .	
5,655,689	8/1997	Fuchs et al. .	
5,662,098	9/1997	Yoshida .	

5,692,650	12/1997	Wolter et al. .
5,769,325	6/1998	Jouillat et al. .
5,813,570	9/1998	Fuchs et al. .
5,860,567	1/1999	Fuchs et al. .
5,862,962	1/1999	Fuchs et al. .
5,875,938	3/1999	Graf et al. .
5,893,484	4/1999	Fuchs et al. .
5,901,883	5/1999	Ritsche .
5,951,526	9/1999	Korisch et al. .

FOREIGN PATENT DOCUMENTS

2746676A1	4/1997	(FR) .
2747451A1	4/1997	(FR) .
2747926	4/1997	(FR) .
2761667	4/1997	(FR) .
2762589A1	4/1997	(FR) .
2764807A1	6/1997	(FR) .
2754453A1	10/1997	(FR) .
2773135A1	12/1997	(FR) .
2760195A1	3/1998	(FR) .
2764375A1	6/1998	(FR) .
09-8545	1/1998	(JP) .
WO97/01611	1/1997	(WO) .
WO98/06502	2/1998	(WO) .
WO98/34732	8/1998	(WO) .

* cited by examiner

FIG. 1

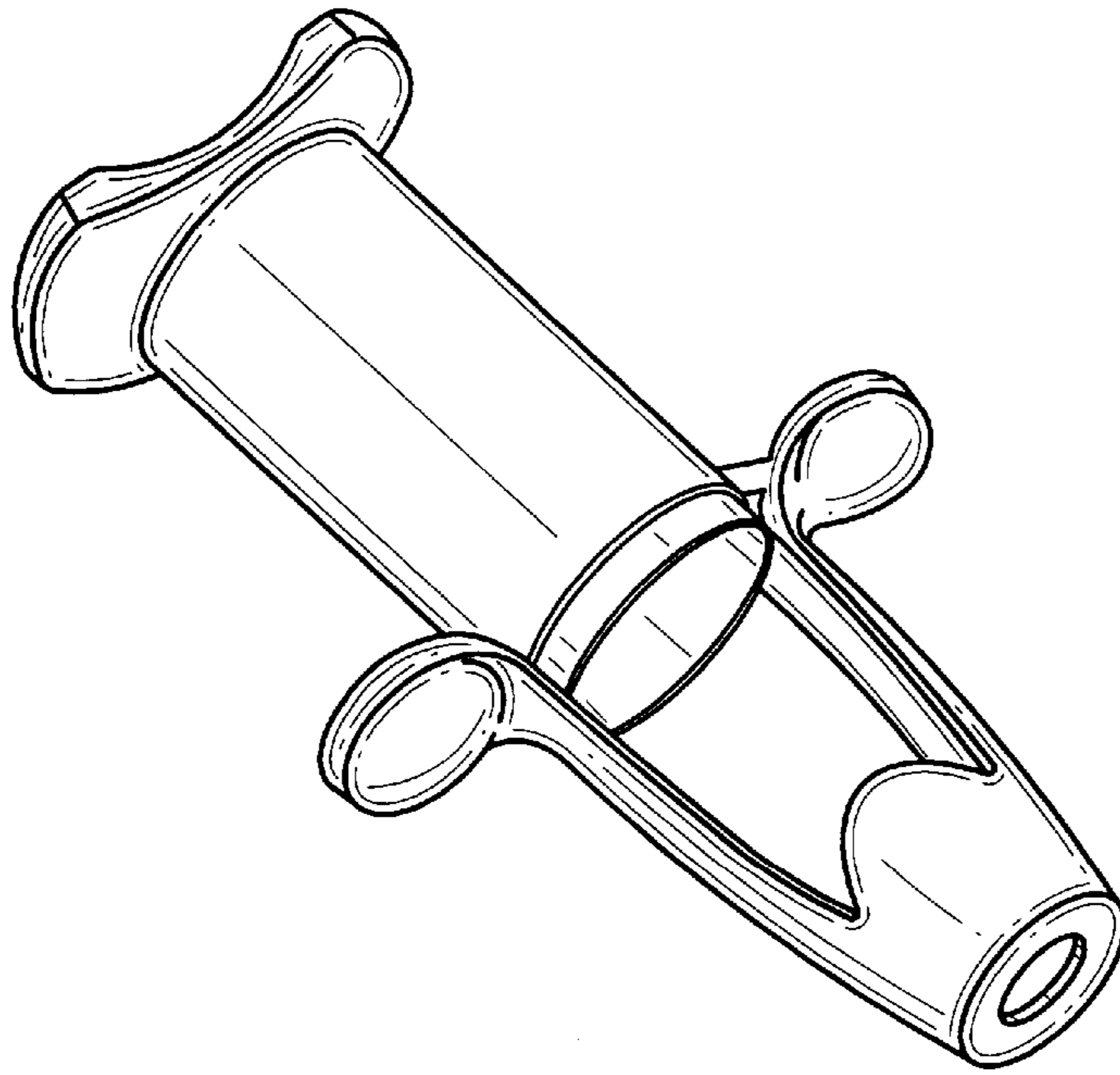


FIG. 2

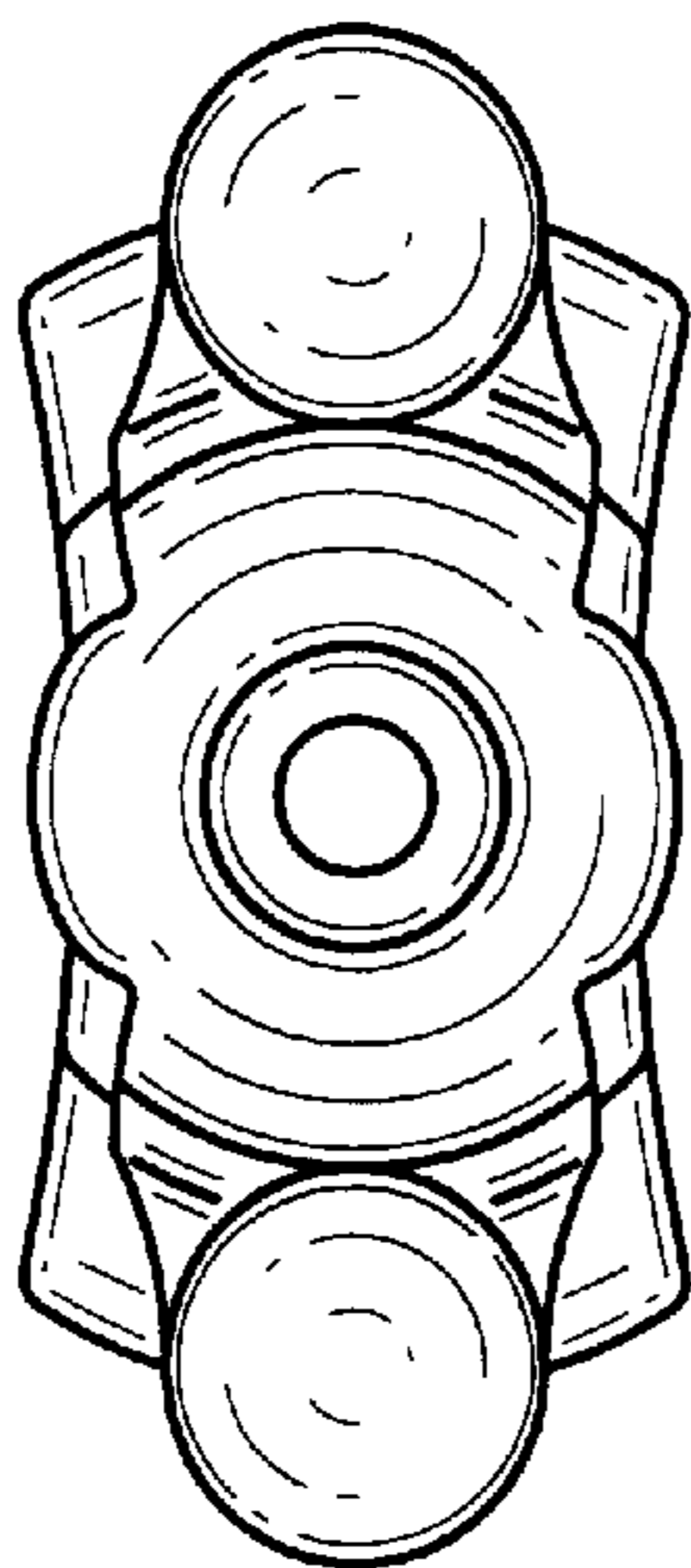


FIG. 3

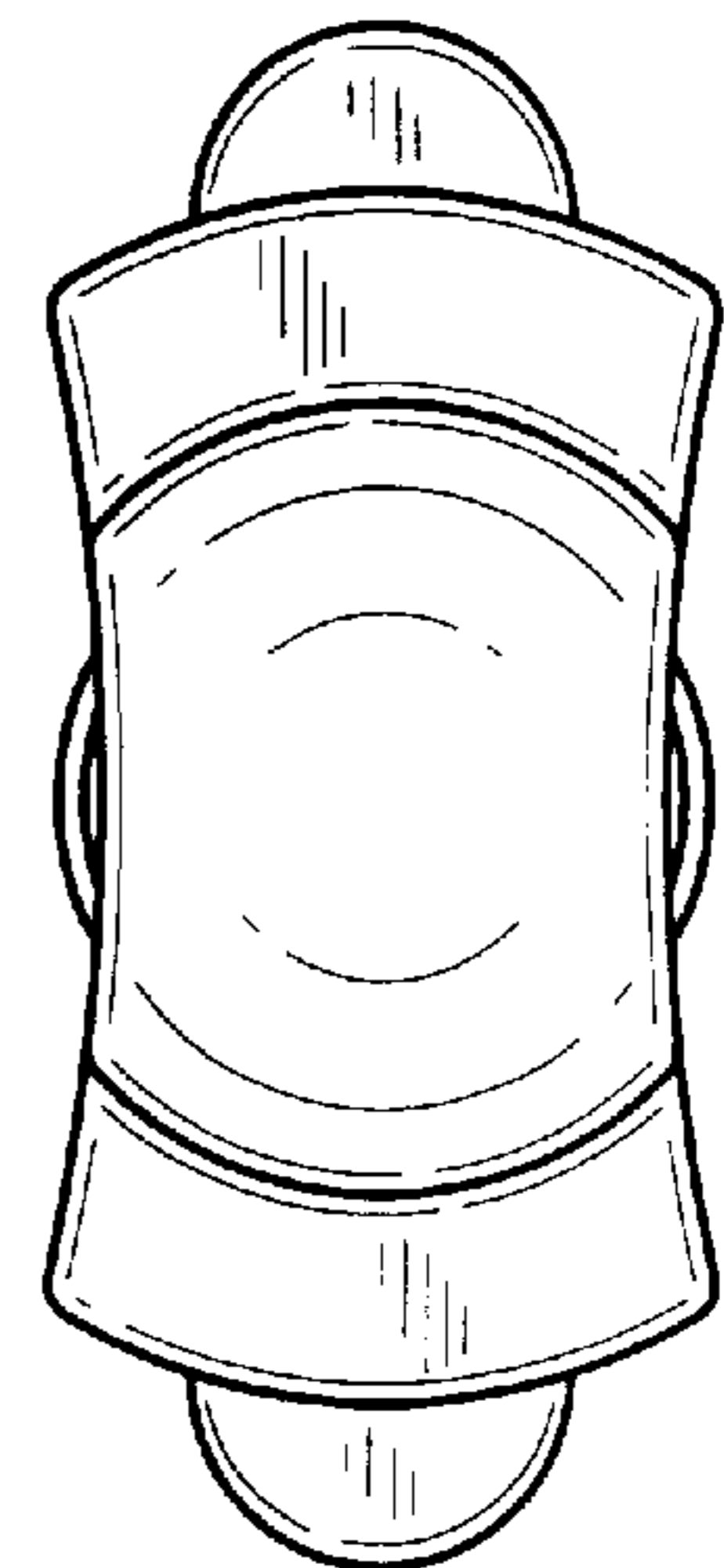


FIG. 4

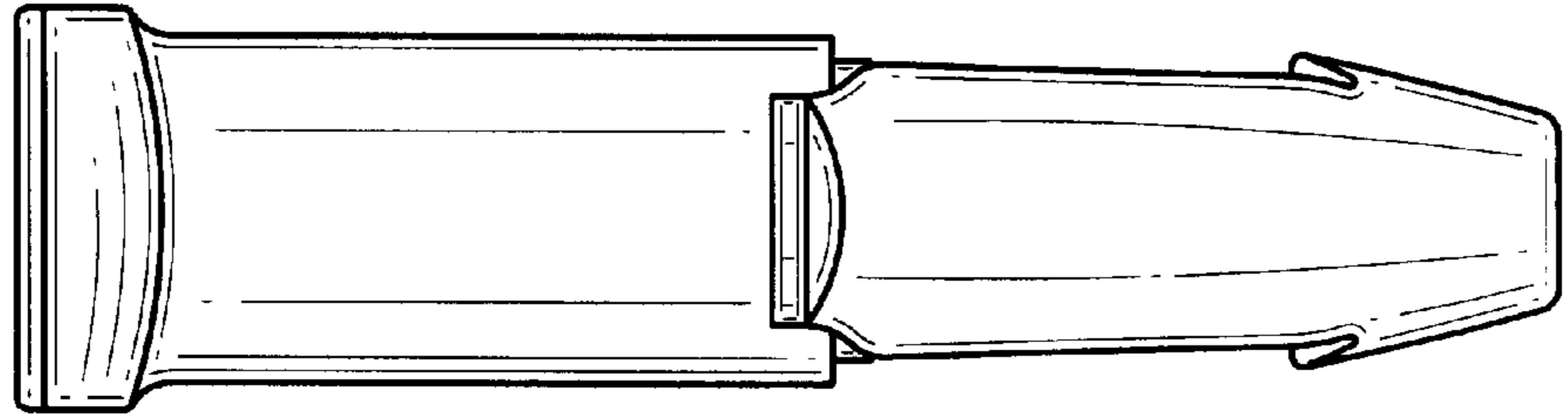


FIG. 5

