



US00D448473B1

(12) **United States Design Patent**
Barnett et al.

(10) **Patent No.:** **US D448,473 S**

(45) **Date of Patent:** **** Sep. 25, 2001**

- (54) **NASAL MASK**
- (75) Inventors: **Shari S. Barnett; Joseph M. Miceli, Jr.,** both of Pittsburgh, PA (US)
- (73) Assignee: **Respironics, Inc.,** Pittsburgh, PA (US)
- (**) Term: **14 Years**
- (21) Appl. No.: **29/109,078**
- (22) Filed: **Aug. 10, 1999**
- (51) **LOC (7) Cl.** **29-02**
- (52) **U.S. Cl.** **D24/110.1; D24/110.4**
- (58) **Field of Search** **D24/110.1, 110.4, D24/110.5; 128/206.21, 207.11, 202.27, 204.11, 205.25, 207.18, 204.18, 207.13, 205.13, 207.17**

5,353,789	10/1994	Schlobohm .	
5,492,116	2/1996	Scarberry et al. .	
5,540,223	7/1996	Starr et al. .	
5,542,128	* 8/1996	Lomas	128/207.17
5,560,354	10/1996	Berthon-Jones et al. .	
5,570,689	11/1996	Starr et al. .	
5,647,357	7/1997	Barnett et al. .	
5,657,752	* 8/1997	Landis et al.	128/207.13
5,662,101	9/1997	Ogden et al. .	
5,724,965	3/1998	Handke et al. .	
5,746,201	5/1998	Kidd .	
5,884,624	3/1999	Barnett et al. .	
5,937,851	* 8/1999	Serowski et al.	128/202.27
6,112,745	* 9/2000	Lang	128/204.18
6,112,746	* 9/2000	Kwok et al.	128/207.13

FOREIGN PATENT DOCUMENTS

WO 98/04310 2/1998 (WO) .

* cited by examiner

Primary Examiner—Ian Simmons

(74) *Attorney, Agent, or Firm*—Reed Smith LLP

(56) **References Cited**
U.S. PATENT DOCUMENTS

D. 333,015	2/1993	Farmer et al. .	
D. 349,586	8/1994	Handke .	
D. 389,238	1/1998	Kirk, III et al. .	
D. 412,745	8/1999	Scheu .	
2,011,733	8/1935	Shindel .	
2,104,016	1/1938	Biggs .	
2,254,854	9/1941	O'Connell .	
2,317,608	4/1943	Heidbrink .	
2,749,910	6/1956	Faulconer, Jr. .	
2,931,356	4/1960	Schwarz .	
2,939,458	6/1960	Lundquist .	
3,330,273	7/1967	Bennett .	
4,167,185	9/1979	Lewis .	
4,655,213	4/1987	Rapoport et al. .	
4,677,977	7/1987	Wilcox .	
4,739,755	4/1988	White et al. .	
4,807,617	* 2/1989	Nesti	128/205.12
4,907,584	3/1990	McGinnis .	
4,944,310	7/1990	Sullivan .	
5,243,971	9/1993	Sullivan et al. .	

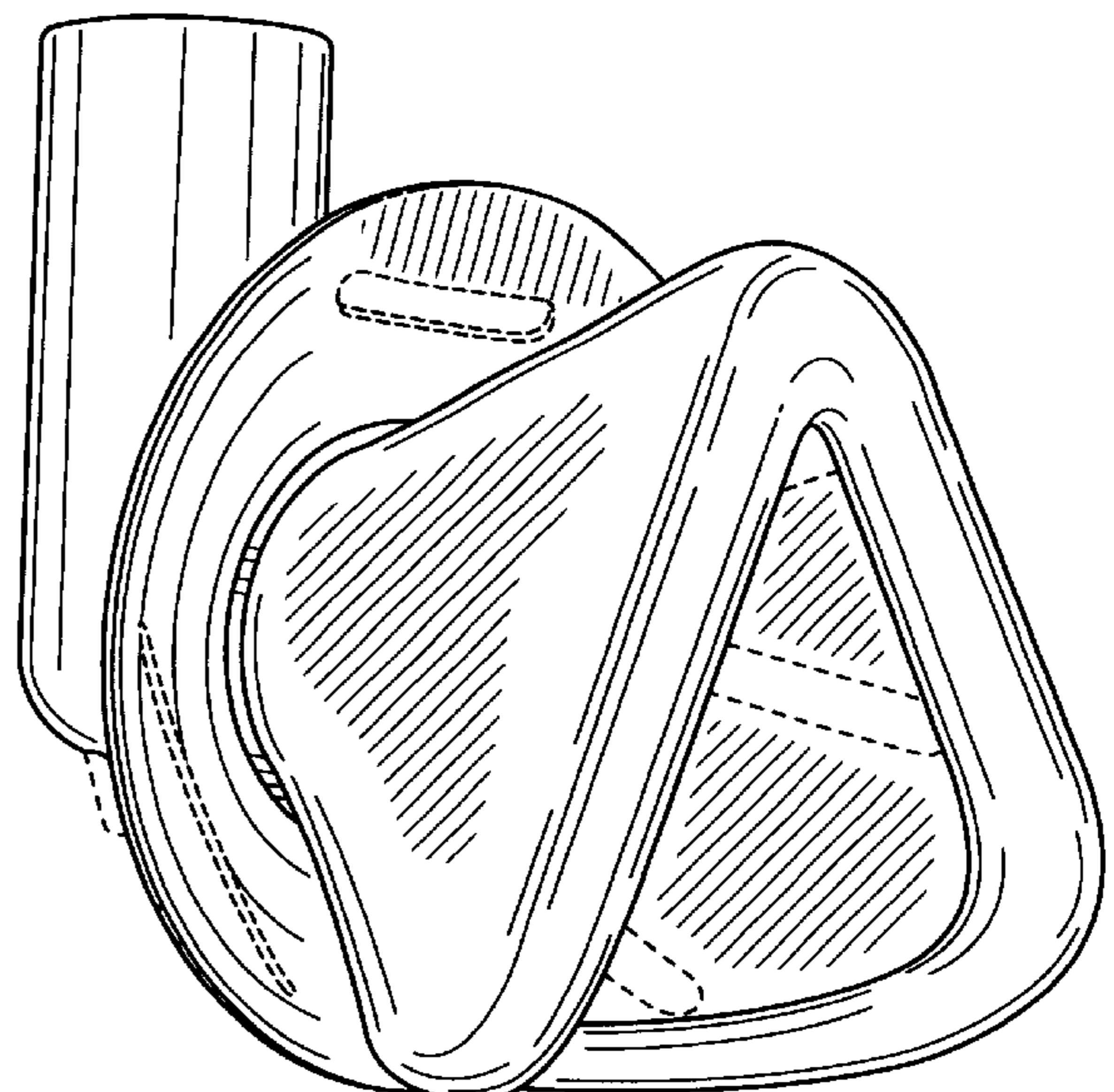
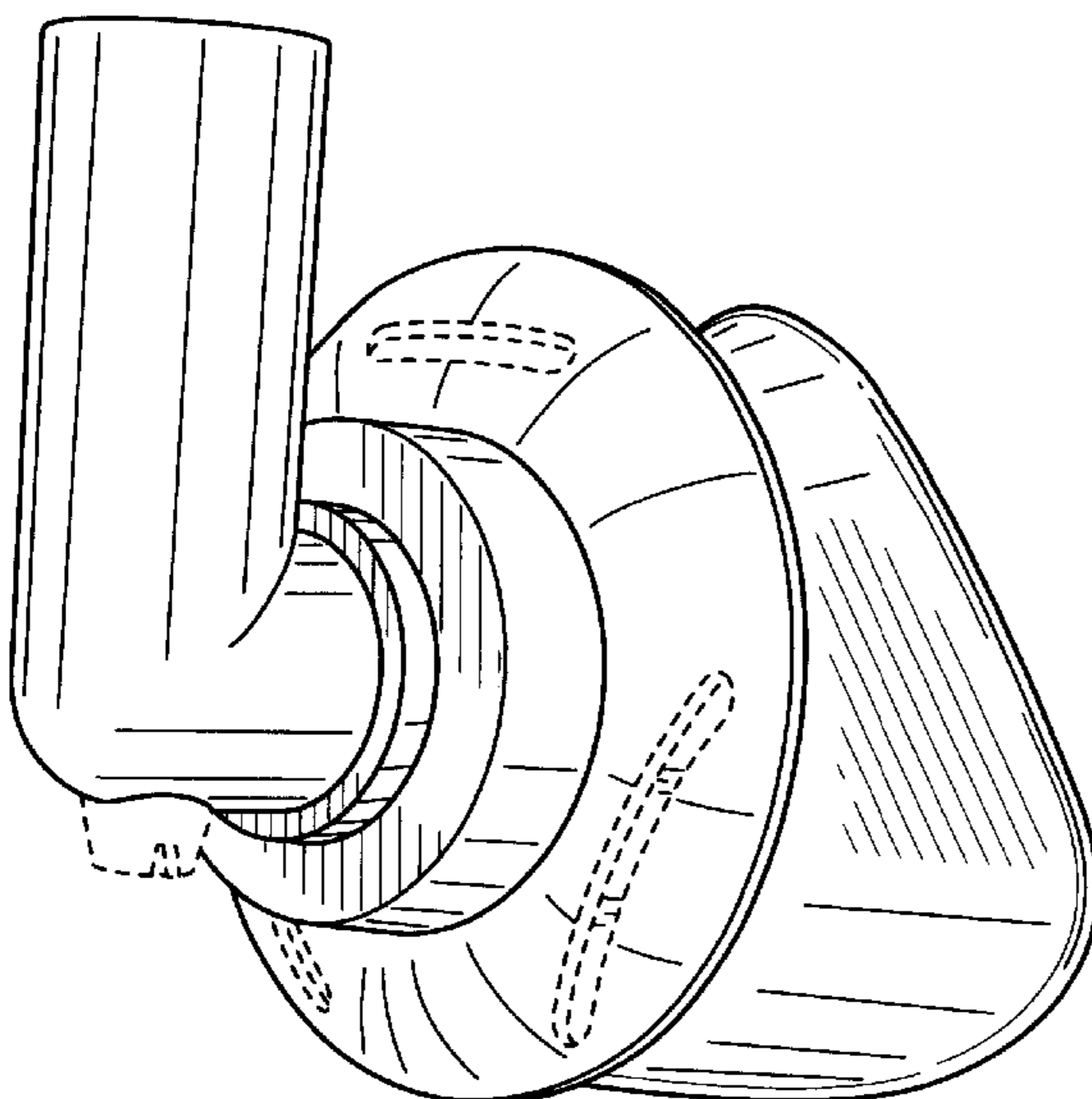
(57) **CLAIM**

The ornamental design for a nasal mask, as shown and described.

DESCRIPTION

FIG. 1 is a front perspective view of a nasal mask showing our new design;
 FIG. 2 is a rear perspective view thereof;
 FIG. 3 is a front elevational view thereof;
 FIG. 4 is a rear elevational view thereof;
 FIG. 5 is a side elevational view thereof, the opposite side being a mirror image thereto;
 FIG. 6 is a top plan view thereof; and,
 FIG. 7 is a bottom plan view thereof.
 The portions drawn in broken lines are shown for illustrative purposes only and do not form part of the claimed design.

1 Claim, 5 Drawing Sheets



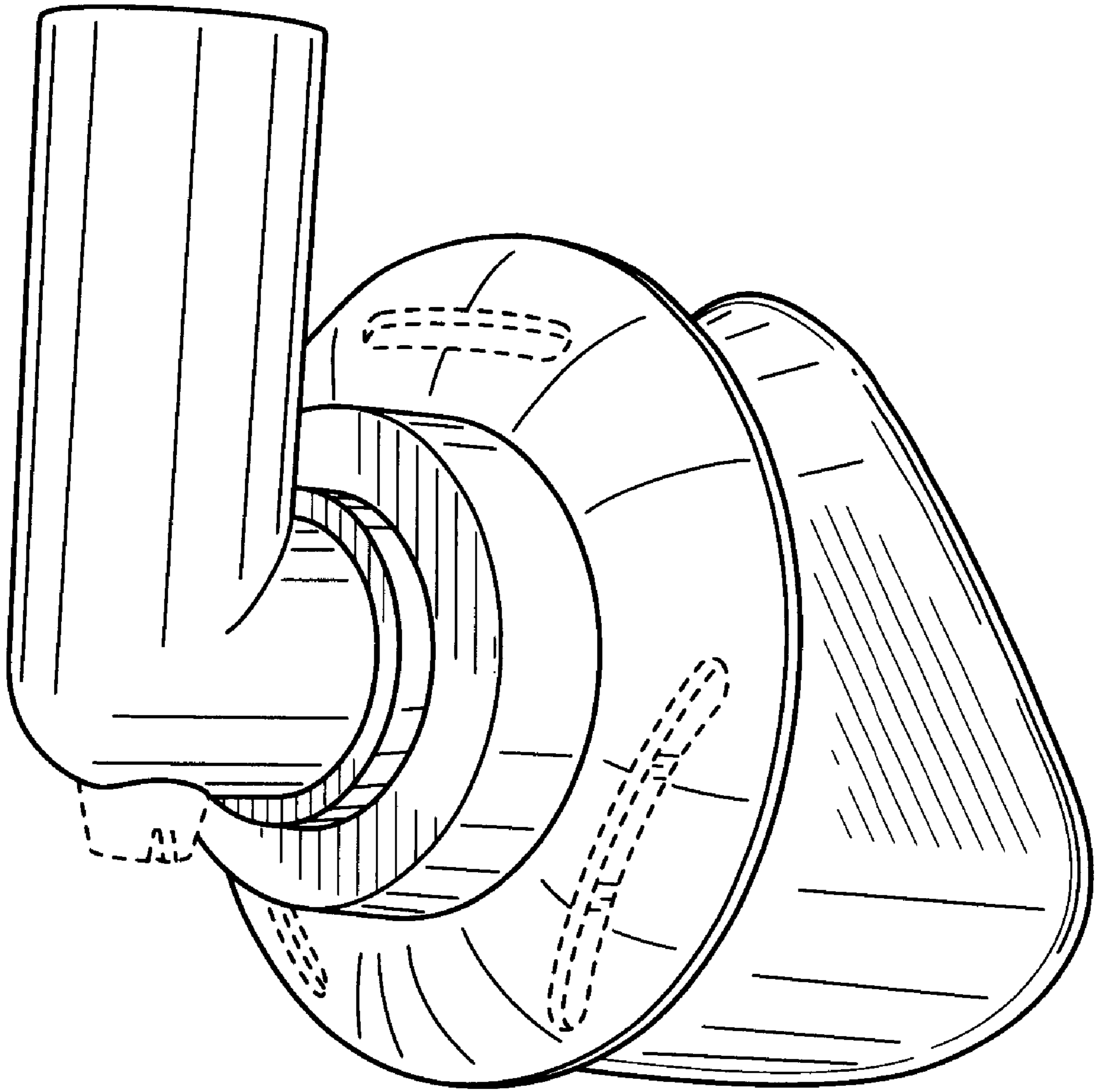


FIG. 1

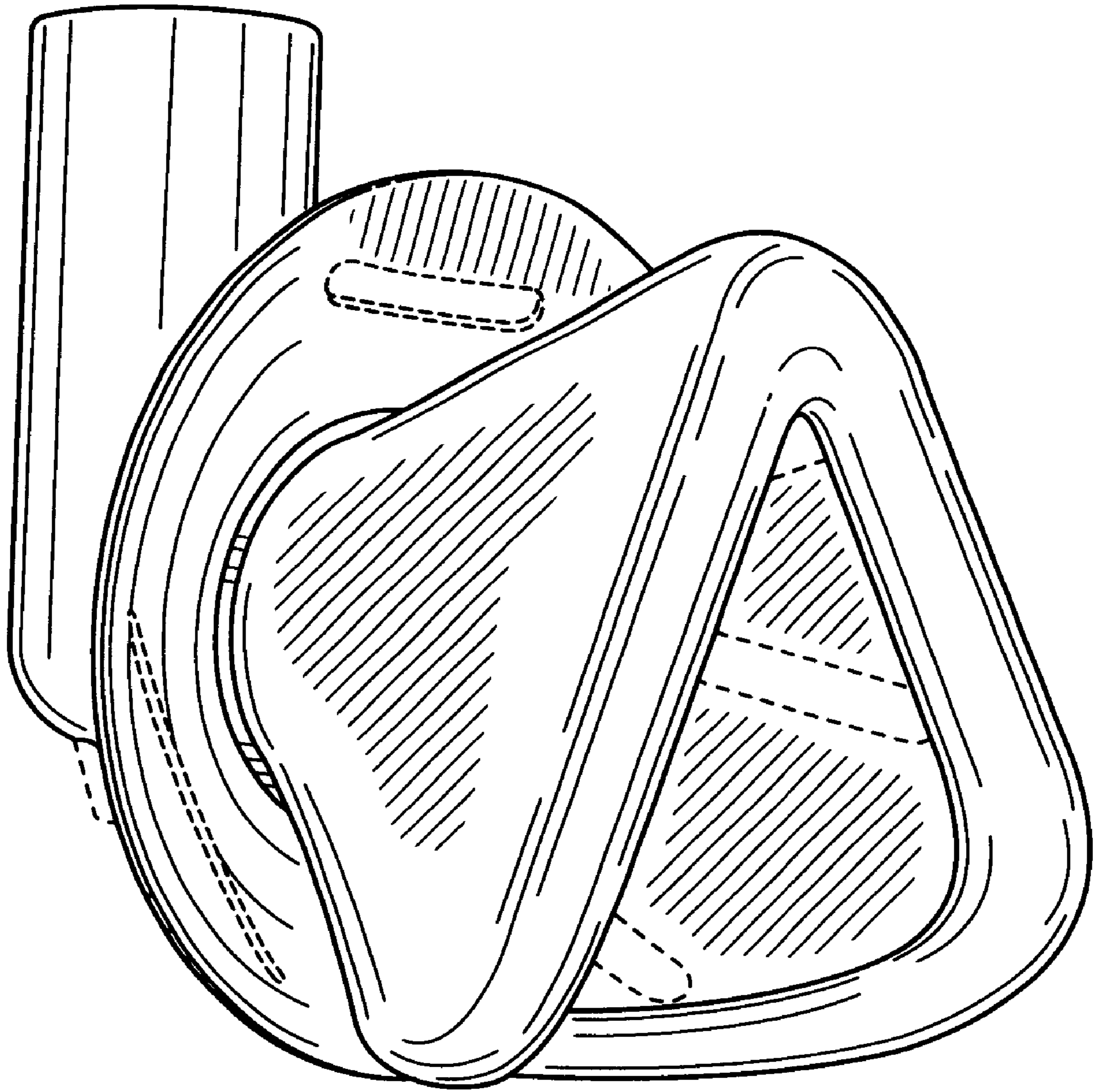


FIG. 2

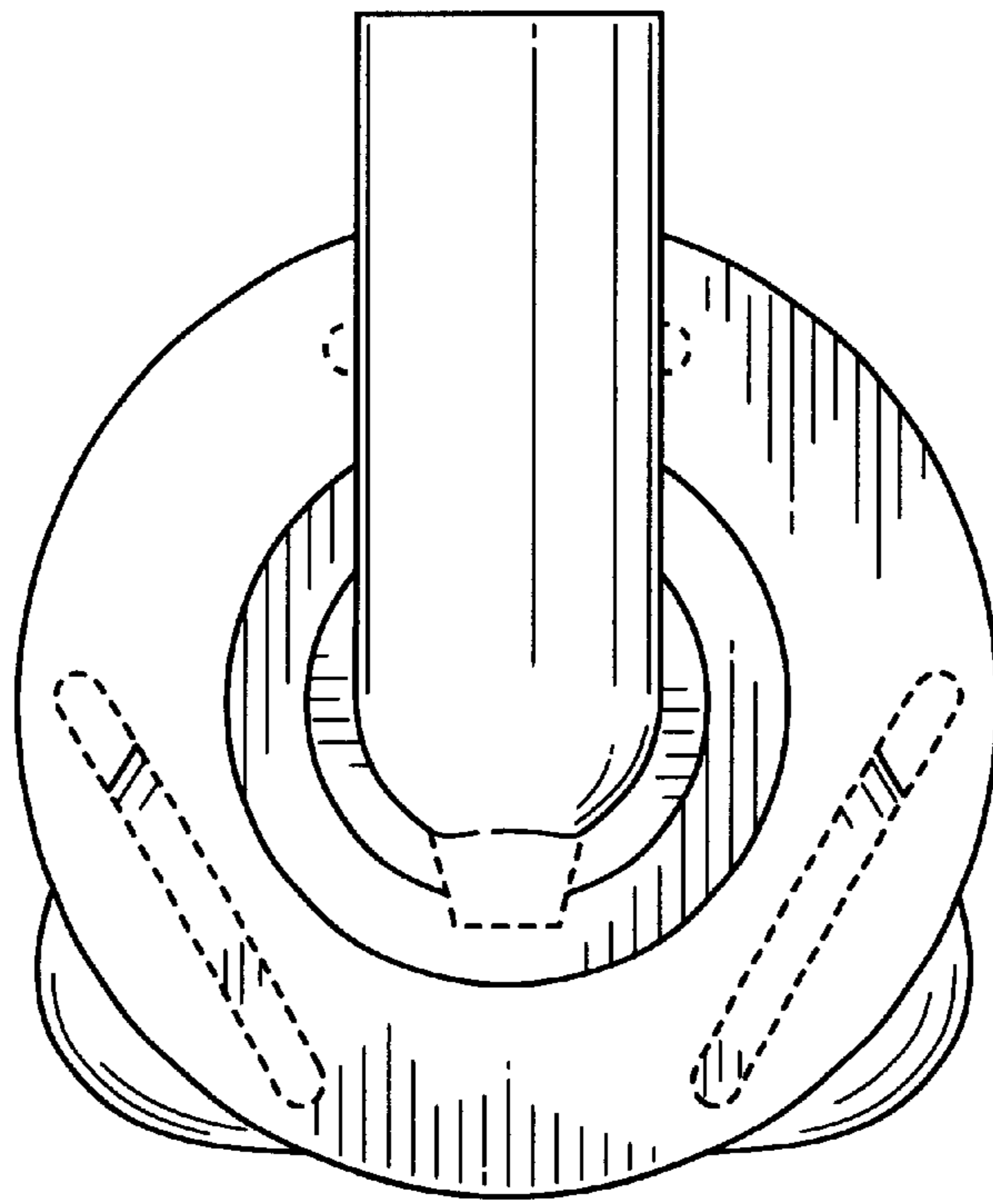


FIG. 3

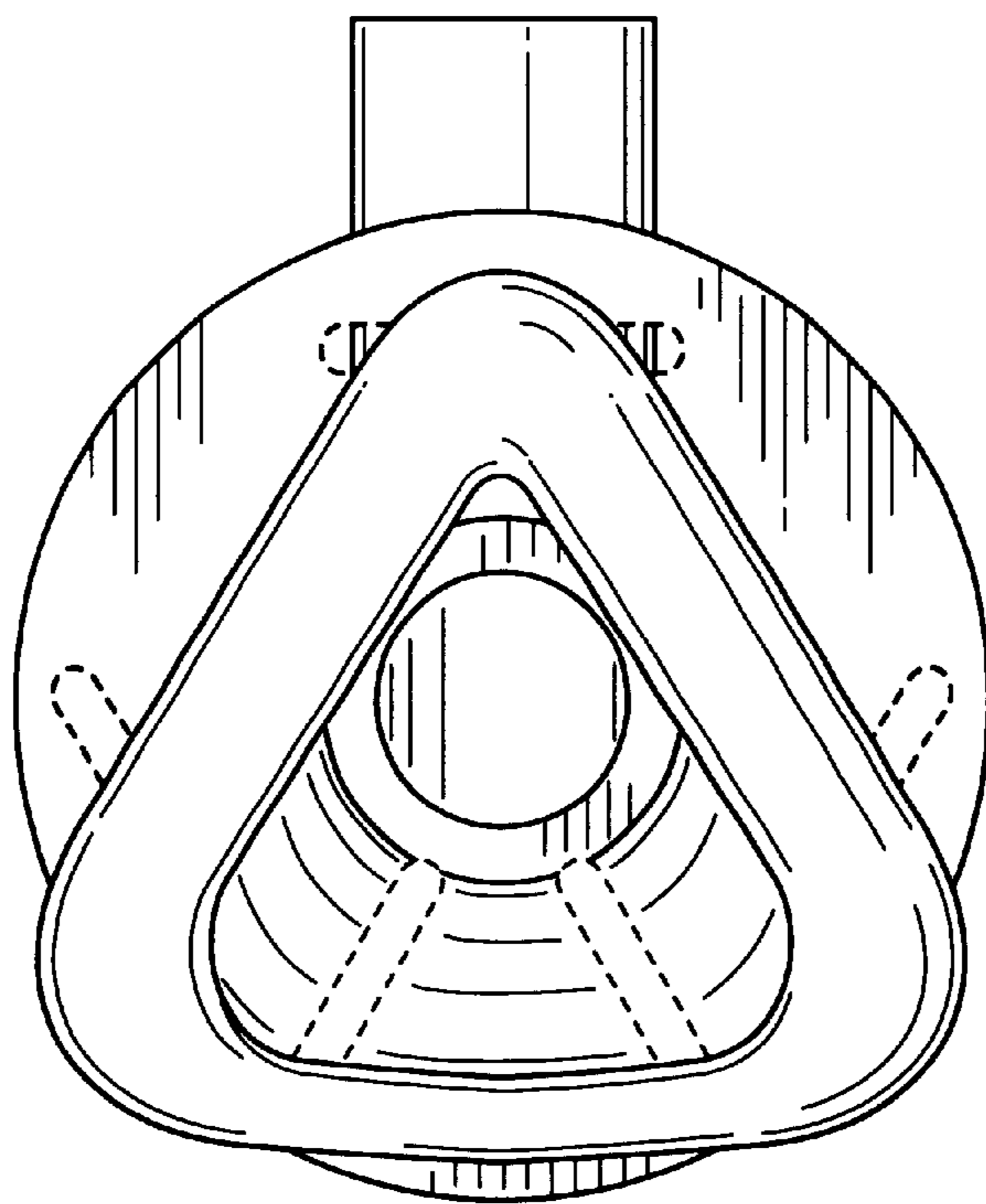


FIG. 4

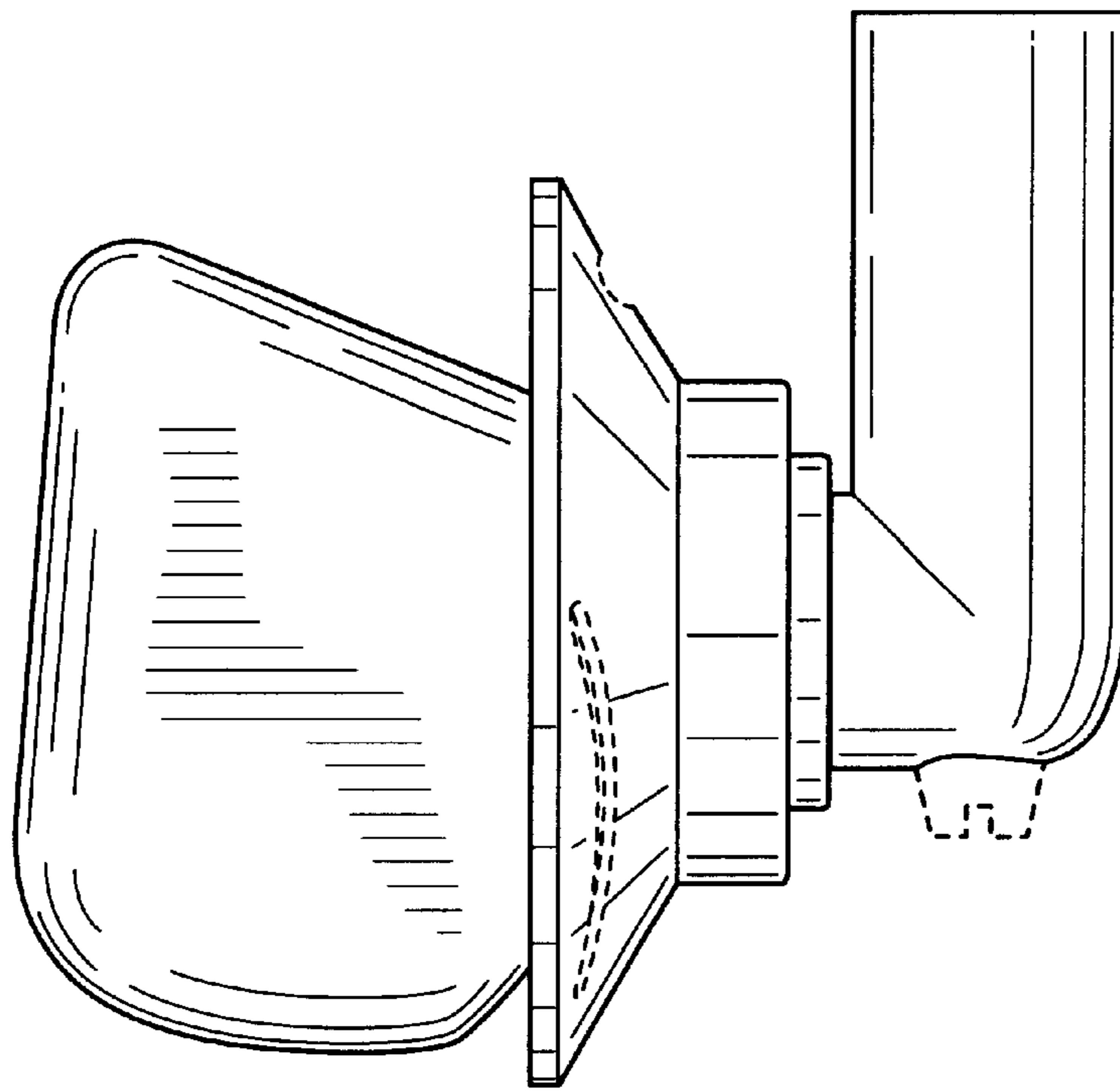


FIG. 5

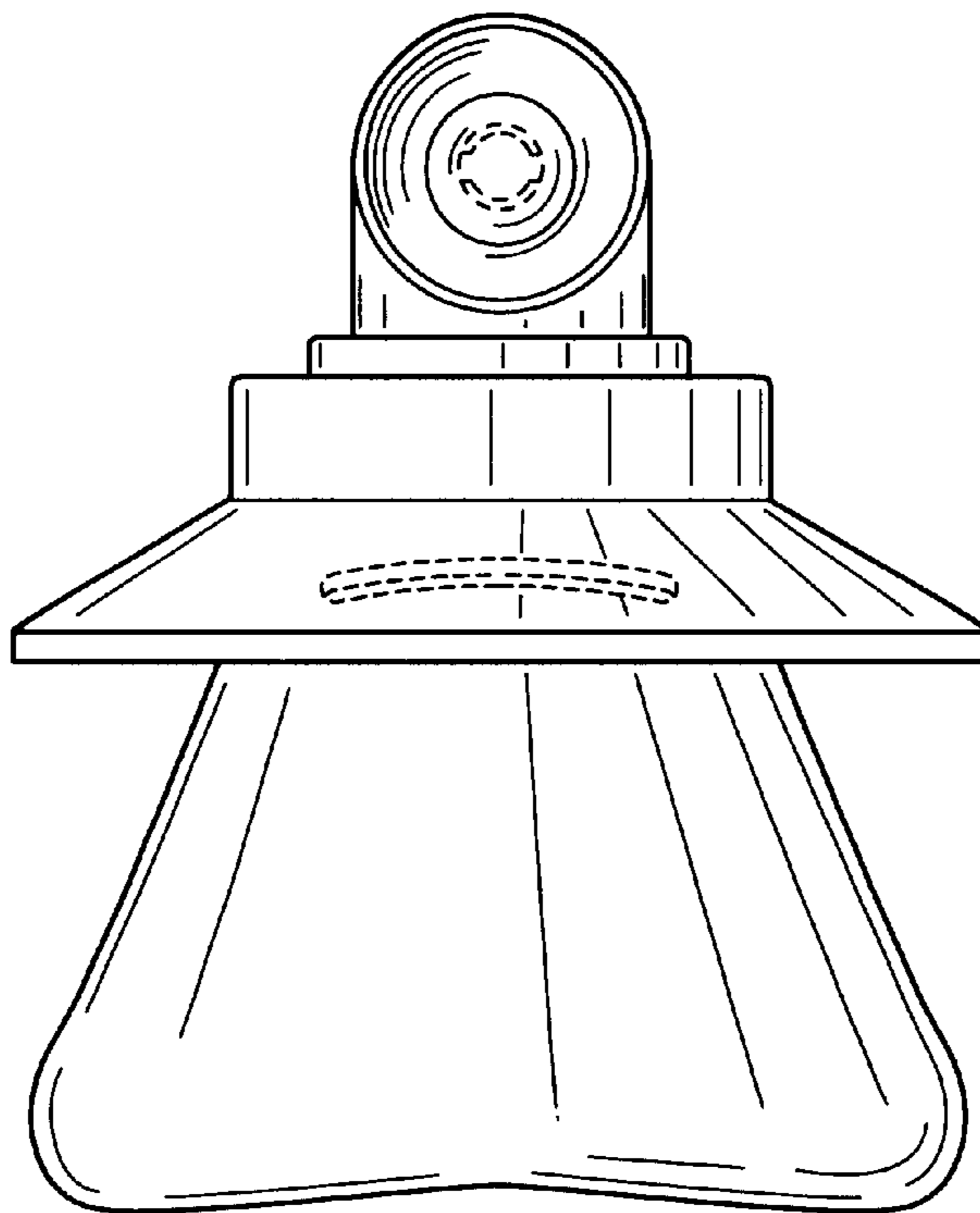


FIG. 6

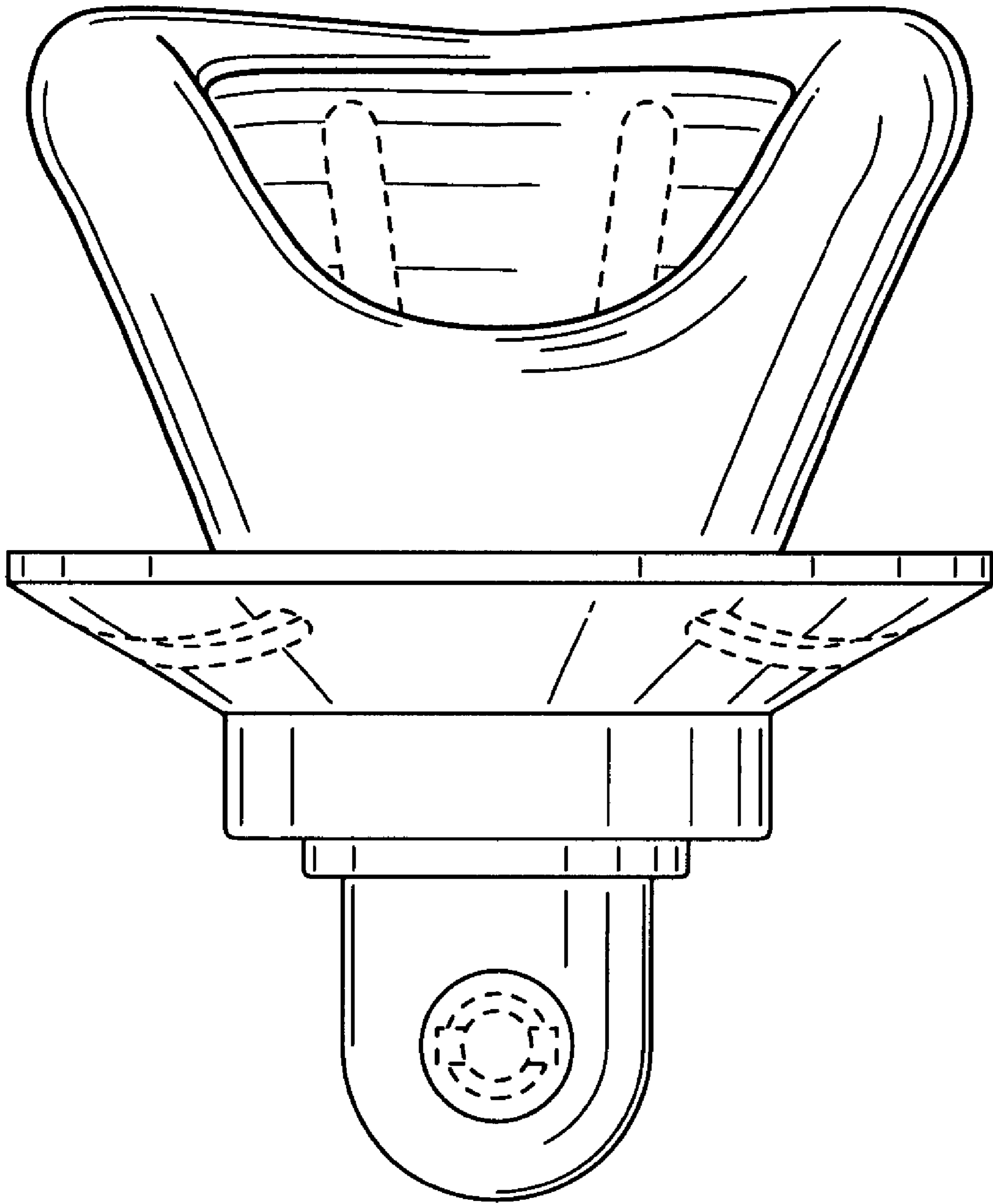


FIG. 7