



US00D448472B1

(12) **United States Design Patent**
Chen

(10) **Patent No.:** **US D448,472 S**

(45) **Date of Patent:** **** *Sep. 25, 2001**

(54) **RESPIRATORY MASK**

(75) **Inventor:** **Daniel T. Chen**, St. Paul, MN (US)

(73) **Assignee:** **3M Innovative Properties Company**,
St. Paul, MN (US)

(*) **Notice:** This patent is subject to a terminal disclaimer.

(**) **Term:** **14 Years**

(21) **Appl. No.:** **29/100,707**

(22) **Filed:** **Feb. 17, 1999**

(51) **LOC (7) Cl.** **29-02**

(52) **U.S. Cl.** **D24/110.1**

(58) **Field of Search** D24/110.1, 110;
128/205.25, 205.28, 205.29, 206.12, 206.14,
206.13, 206.18, 206.21

(56) **References Cited**

U.S. PATENT DOCUMENTS

D. 326,540	*	5/1992	Scholey	D24/110.1
2,362,382	*	11/1944	Lehmberg	128/206.15
5,012,805	*	5/1991	Muckerheide	128/205.28
5,701,893	*	12/1997	Kern et al.	128/206.24
5,934,275	*	8/1999	Gazzara	128/205.27

FOREIGN PATENT DOCUMENTS

388638		3/1933	(GB)	.
871661		6/1961	(GB)	.
2103491A		2/1983	(GB)	.
WO 96/28216		9/1996	(WO)	.

WO 96/28217 9/1996 (WO) .

WO 97/32493 9/1997 (WO) .

WO 97/32494 9/1997 (WO) .

OTHER PUBLICATIONS

Product Literature: "Glendale Respiratory Protection,"
Glendale Optical Company, Inc.

Product Literature: "Delta Disposable Respirators," Racial
Health & Safety, Inc.

Product Literature: "Racal® N95 Respirator & Delta® N95
Respirator," Racial Health & Safety, Inc., (1995).

* cited by examiner

Primary Examiner—Ian Simmons

(74) *Attorney, Agent, or Firm*—Karl G. Hanson; James A.
Rogers

(57) **CLAIM**

The ornamental design for a respiratory mask, as shown and
described.

DESCRIPTION

FIG. 1 is a perspective view showing the new design for a
respiratory mask design.

FIG. 2 is a front view thereof.

FIG. 3 is a top elevational view thereof.

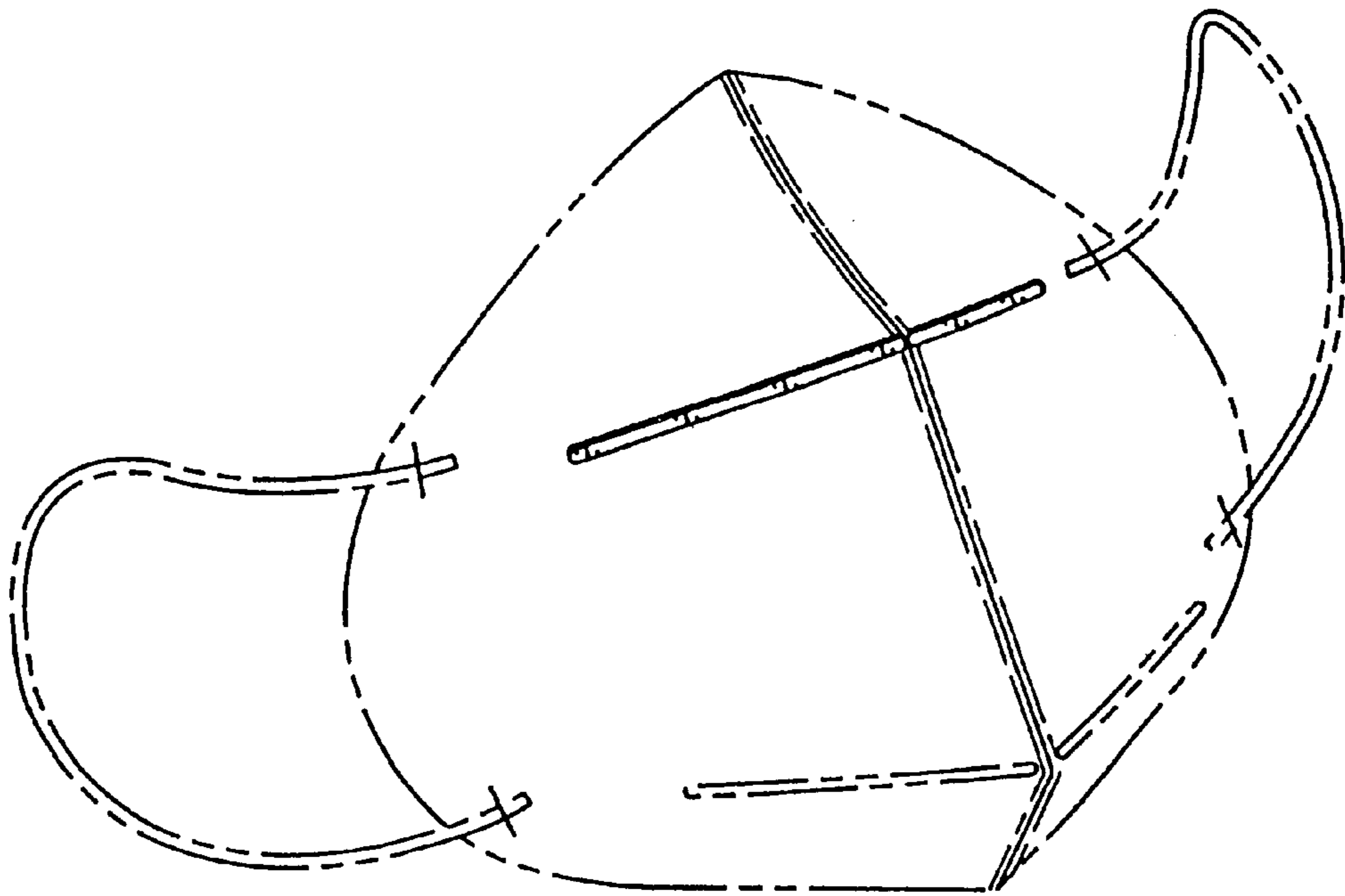
FIG. 4 is a bottom elevational view thereof.

FIG. 5 is a rear elevational view; and,

FIG. 6 is a side elevational view. The left side elevational
view is the same as the right side elevational view.

The broken lines showing in FIGS. 1–6 are for illustrative
purposes only and forms no part of the claimed design.

1 Claim, 2 Drawing Sheets



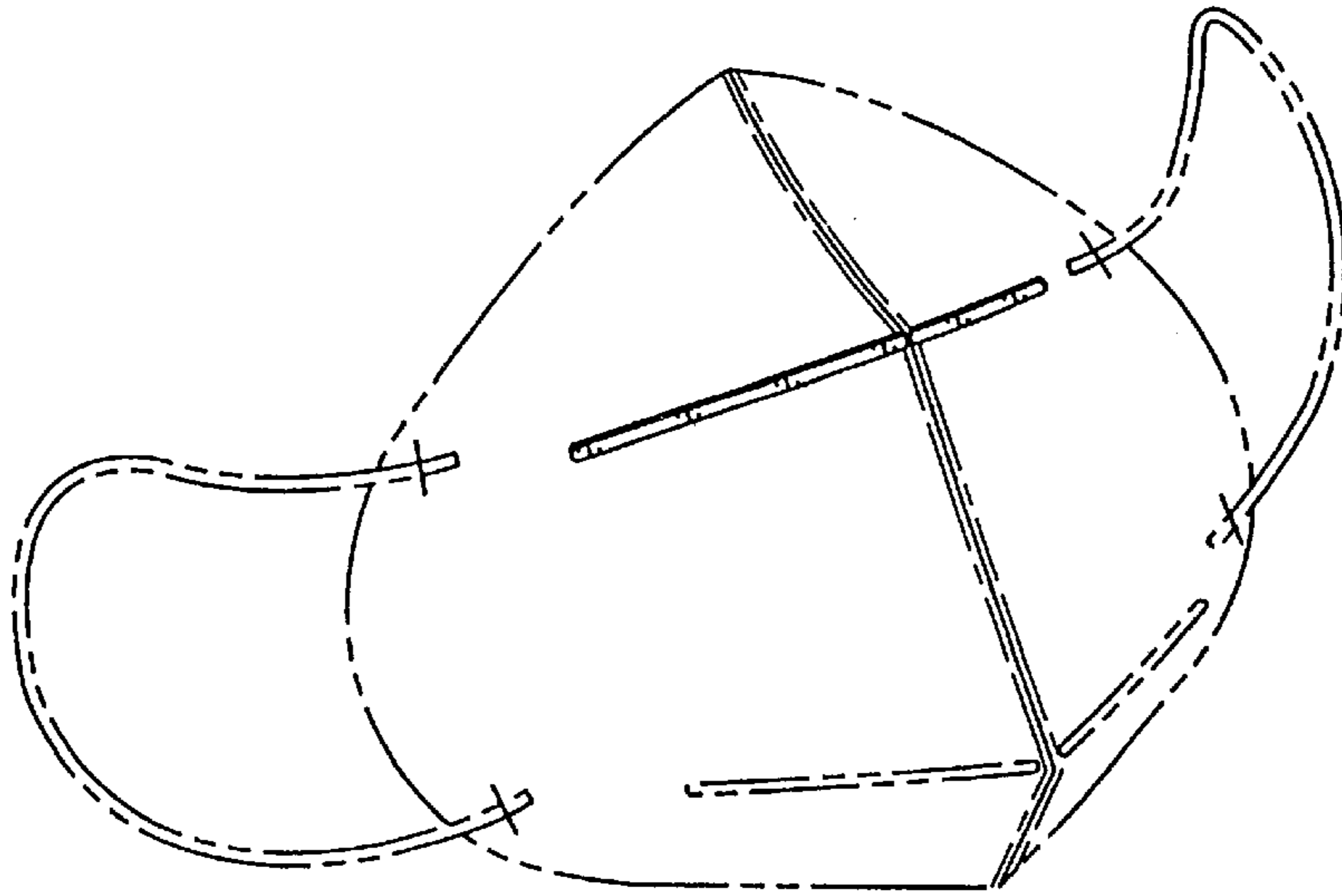


Fig. 1

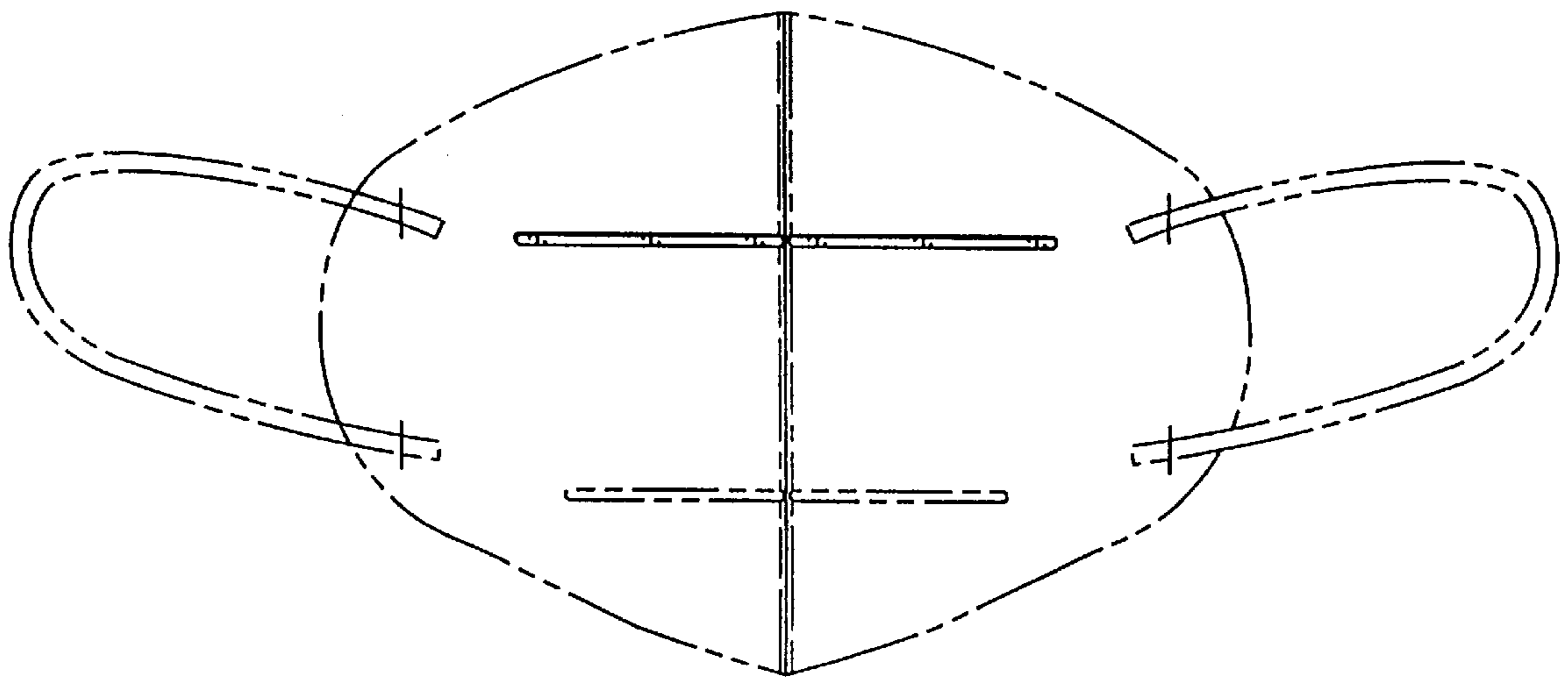


Fig. 2

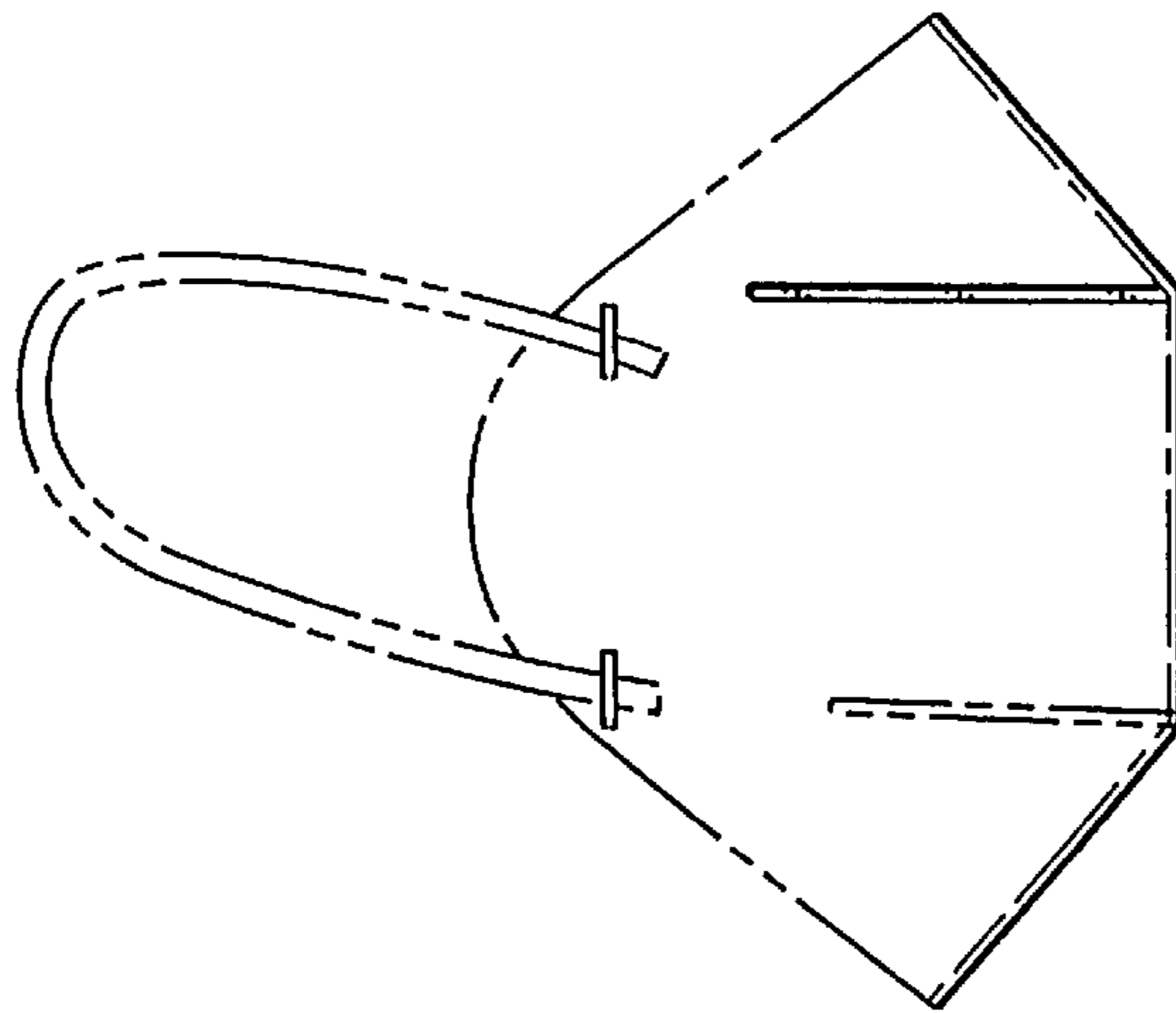


Fig. 3

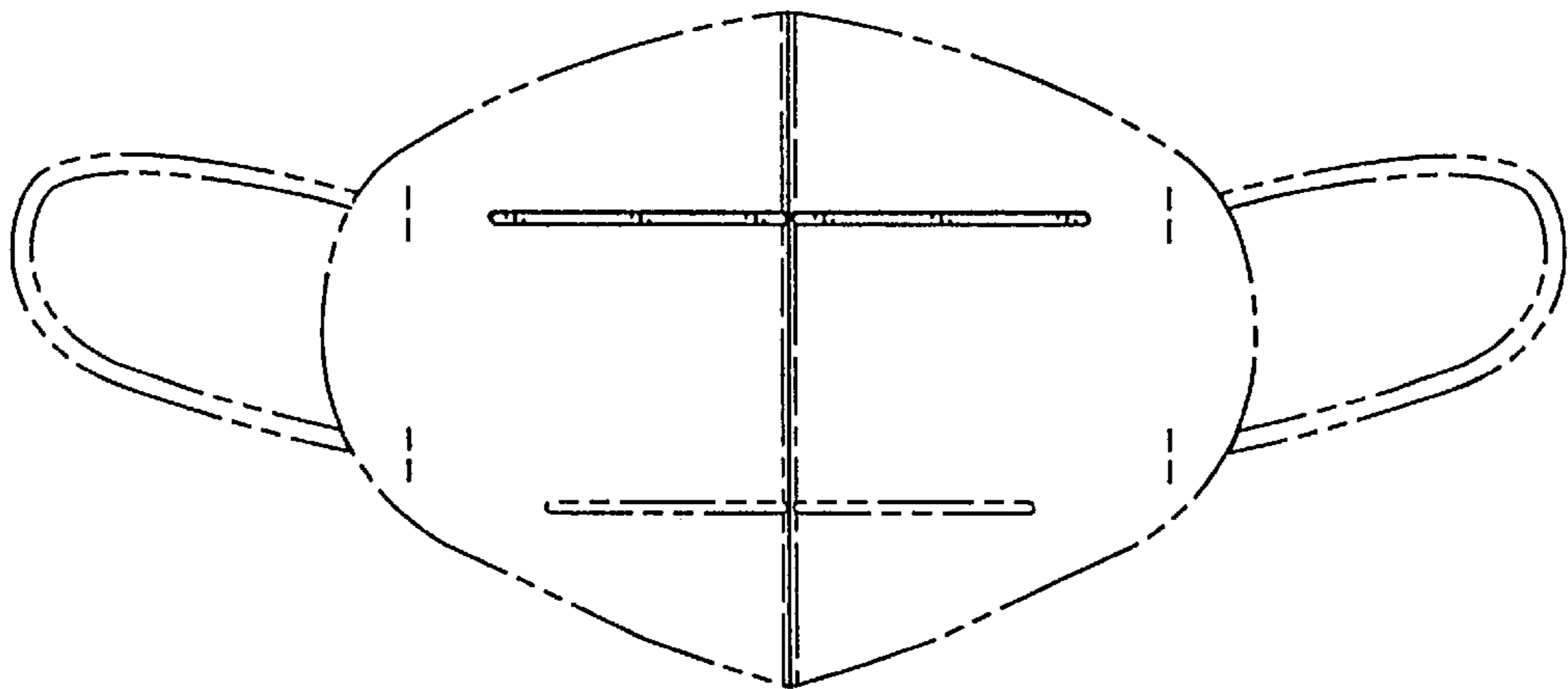


Fig. 4

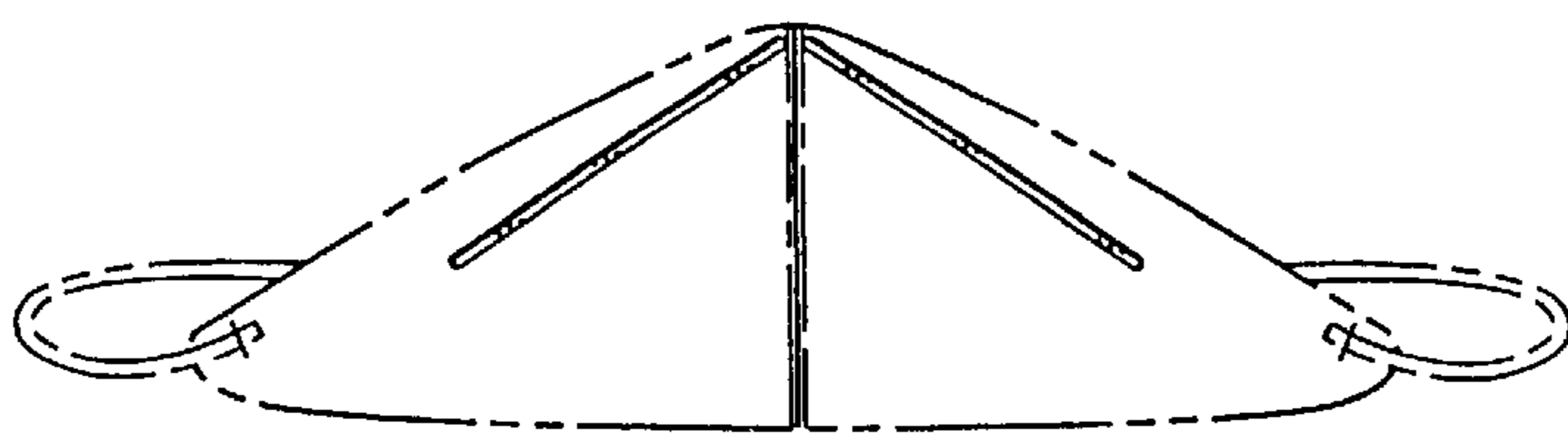


Fig. 5

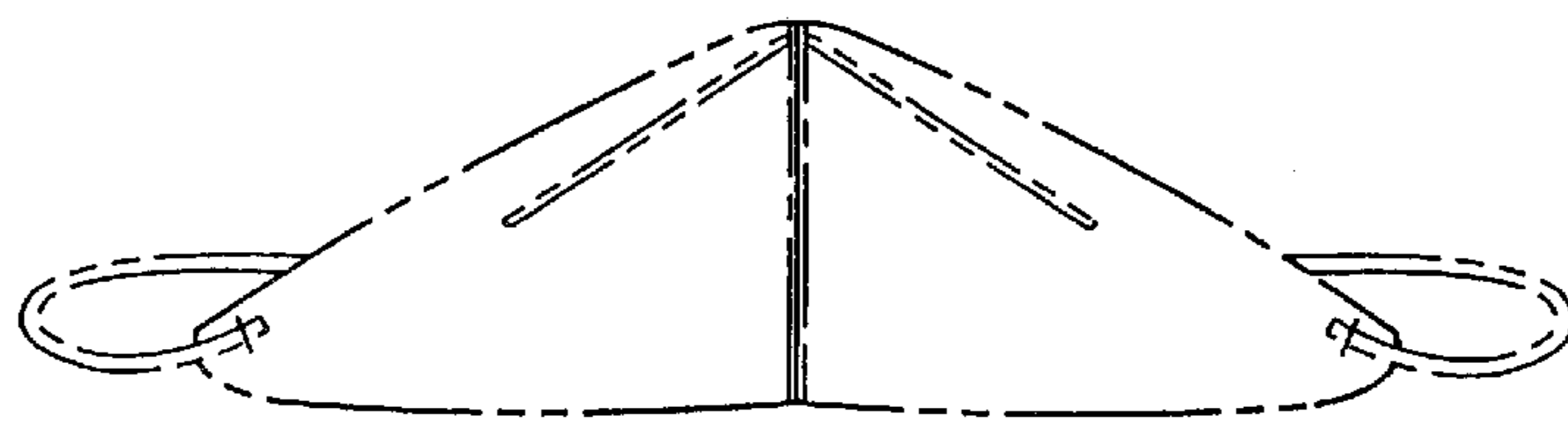


Fig. 6