



US00D448470B1

(12) **United States Design Patent**  
**Iman et al.**

(10) **Patent No.:** **US D448,470 S**

(45) **Date of Patent:** **\*\* Sep. 25, 2001**

(54) **HEAT EXCHANGER STAND**

(75) Inventors: **Marc Iman**, Plain City; **Mark Brown**, Bellefontaine, both of OH (US)

(73) Assignee: **Honda of America Mfg., Inc.**, Marysville, OH (US)

(\*\*) Term: **14 Years**

(21) Appl. No.: **29/120,347**

(22) Filed: **Mar. 16, 2000**

(51) **LOC (7) Cl.** ..... **23-99**

(52) **U.S. Cl.** ..... **D23/499**

(58) **Field of Search** ..... D23/351, 354, D23/355, 386, 370, 499; D6/479, 465; 165/186, 67, 68; 211/13.1, 126.14, 182, 194; 122/510

(56) **References Cited**

**U.S. PATENT DOCUMENTS**

- D. 152,666 \* 2/1949 Williams .
- D. 177,329 \* 4/1956 Jenkins .
- D. 184,743 \* 3/1959 Kovach .
- D. 282,797 \* 3/1986 Dixon .
- 5,339,891 \* 8/1994 Kidaloski et al. .
- 5,341,869 \* 8/1994 Kidaloski et al. .

\* cited by examiner

*Primary Examiner*—B. J. Bullock

(74) *Attorney, Agent, or Firm*—Standley & Gilcrest LLP; Alan T. McDonald; Vince Ciamacco

(57) **CLAIM**

The ornamental design for a heat exchanger stand, as shown and described above.

**DESCRIPTION**

FIG. 1 is an isometric view of the heat exchanger stand of the present invention;

FIG. 2 is an additional isometric view of the heat exchanger stand of the FIG. 1;

FIG. 3 is a top view of the heat exchanger stand of FIG. 1;

FIG. 4 is a right side view of the heat exchanger stand of FIG. 1;

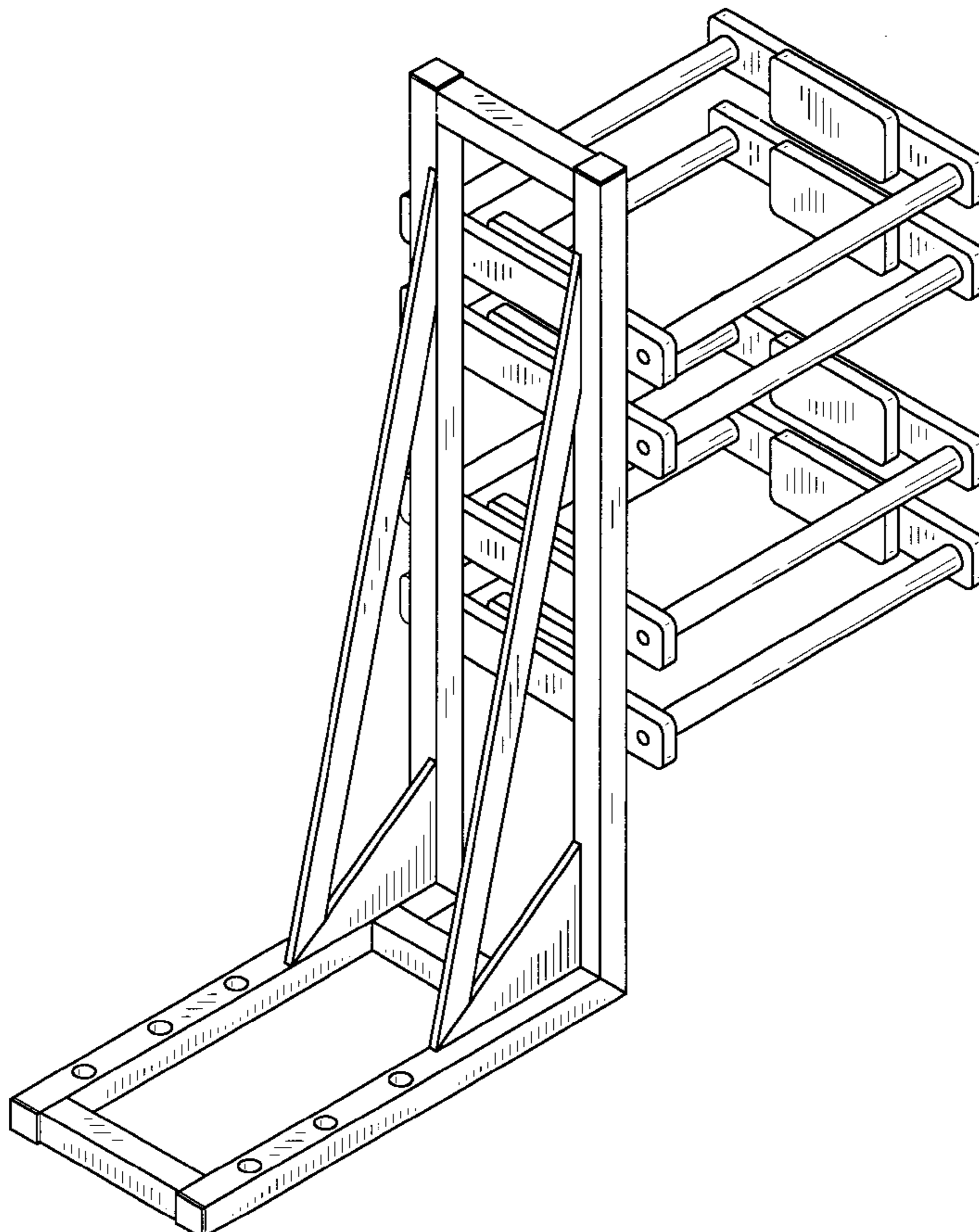
FIG. 5 is a bottom view of the heat exchanger stand of FIG. 1;

FIG. 6 is a front view of the heat exchanger stand of FIG. 1; and,

FIG. 7 is a rear view of the heat exchanger stand of FIG. 1.

The left side view of the heat exchanger stand of the present invention is symmetrical to the right side view, and has therefore been omitted as duplicative.

**1 Claim, 4 Drawing Sheets**



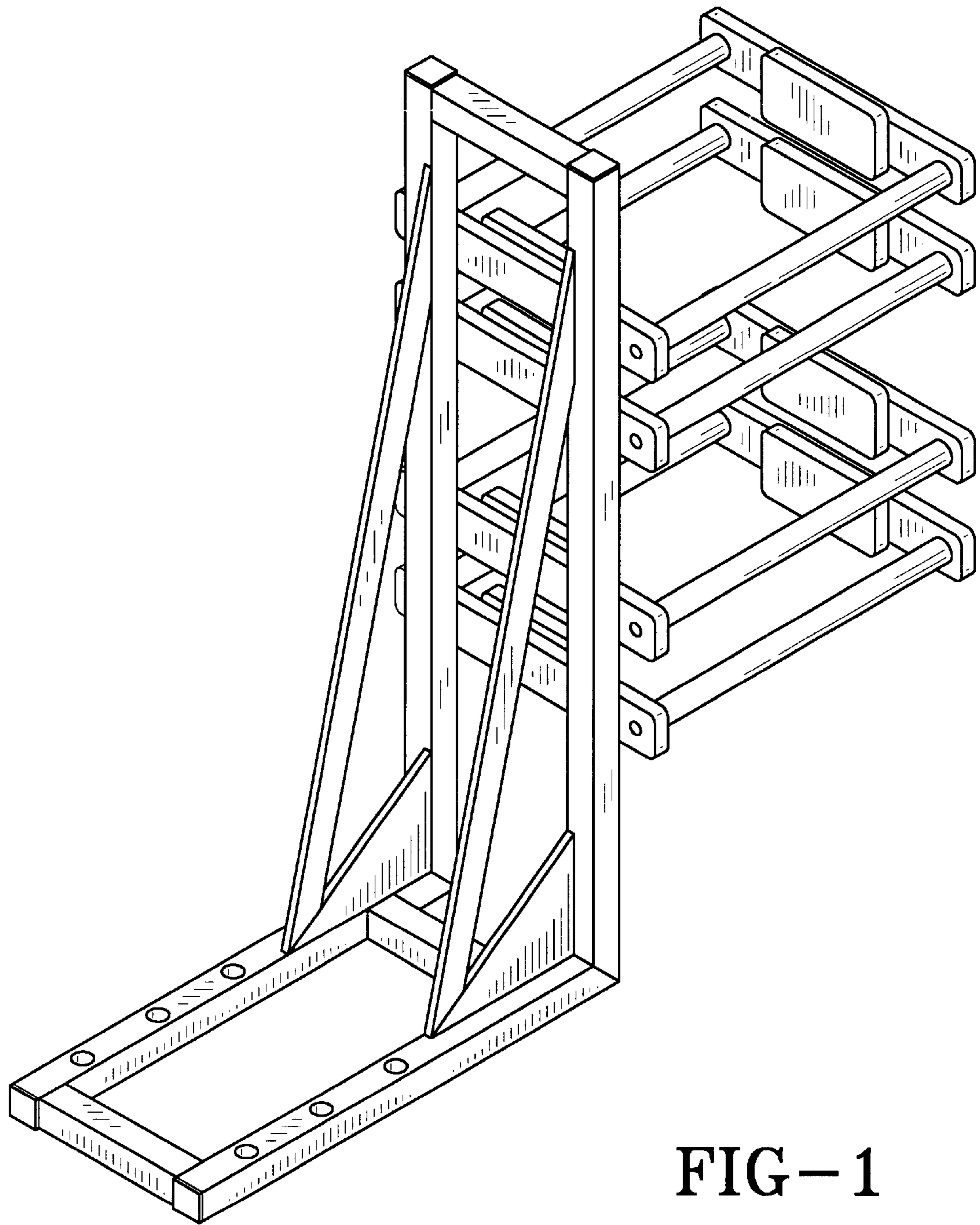


FIG-1

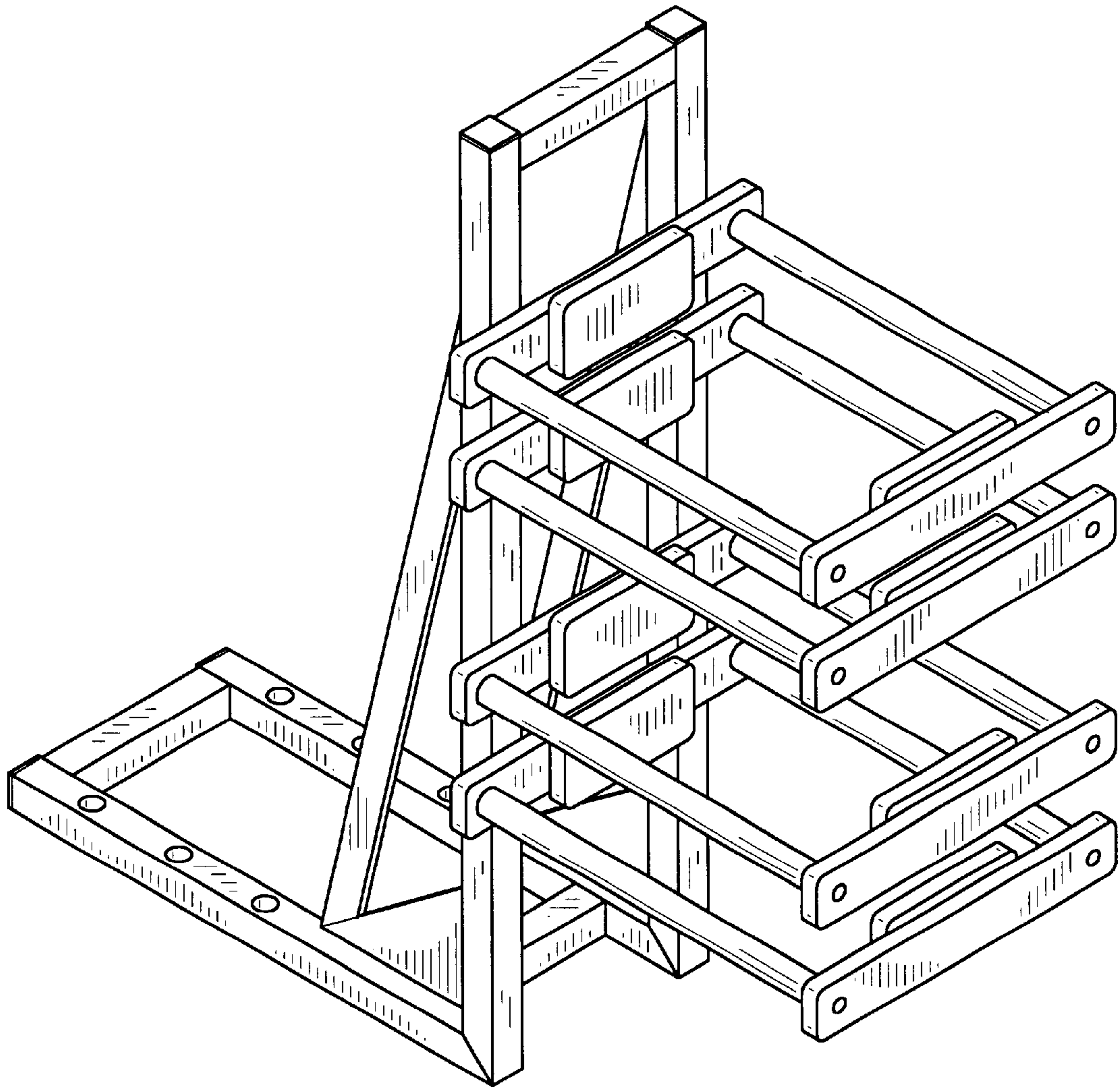


FIG-2

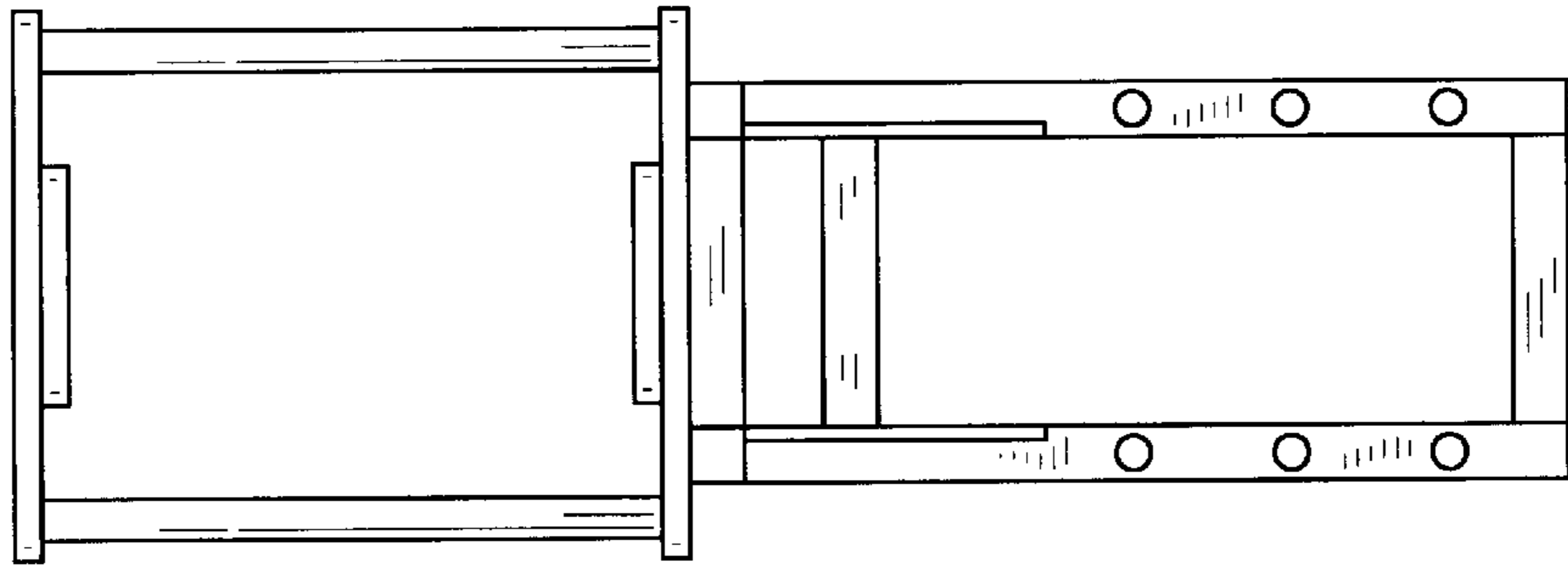


FIG-3

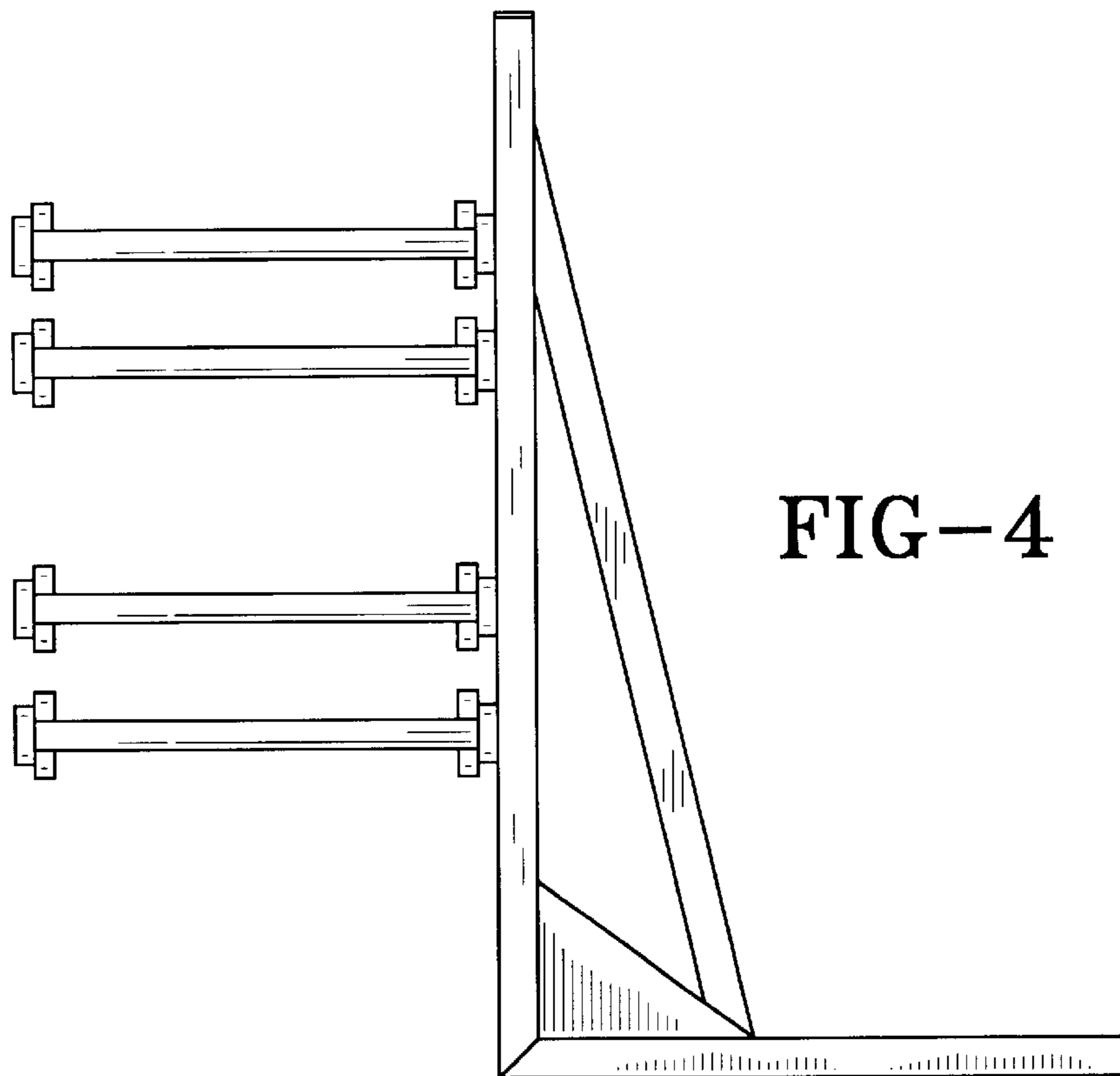


FIG-4

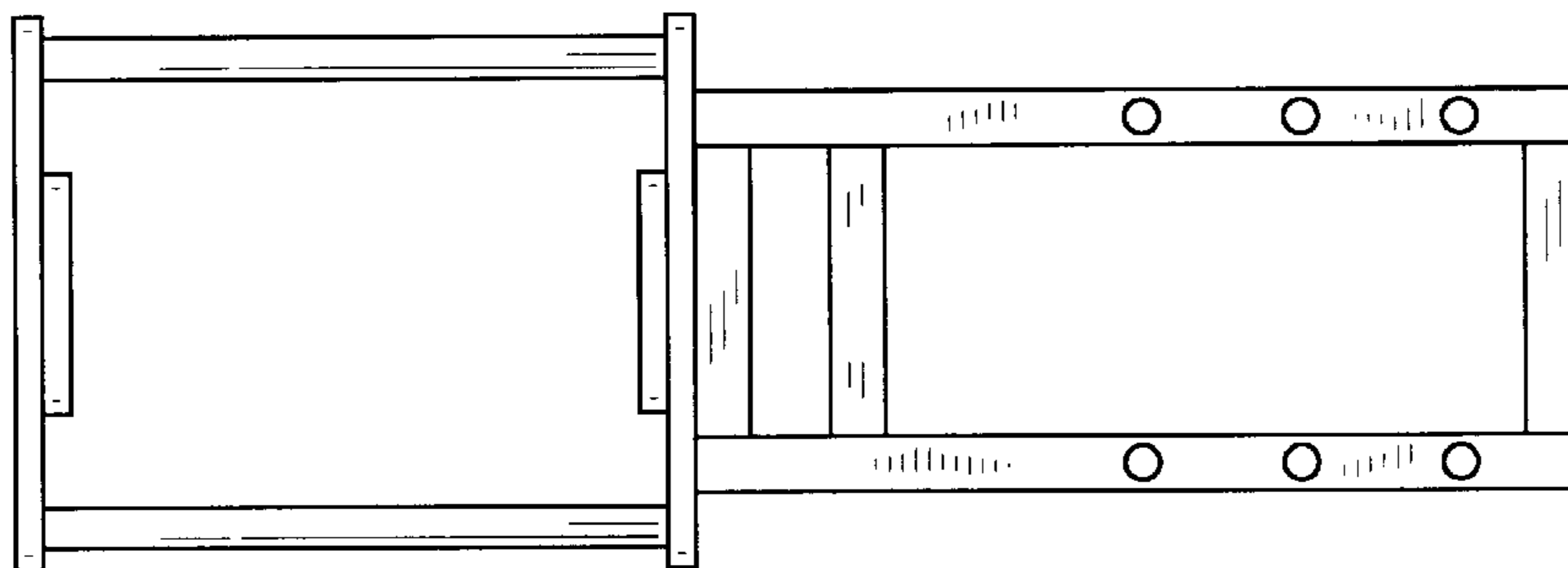


FIG-5

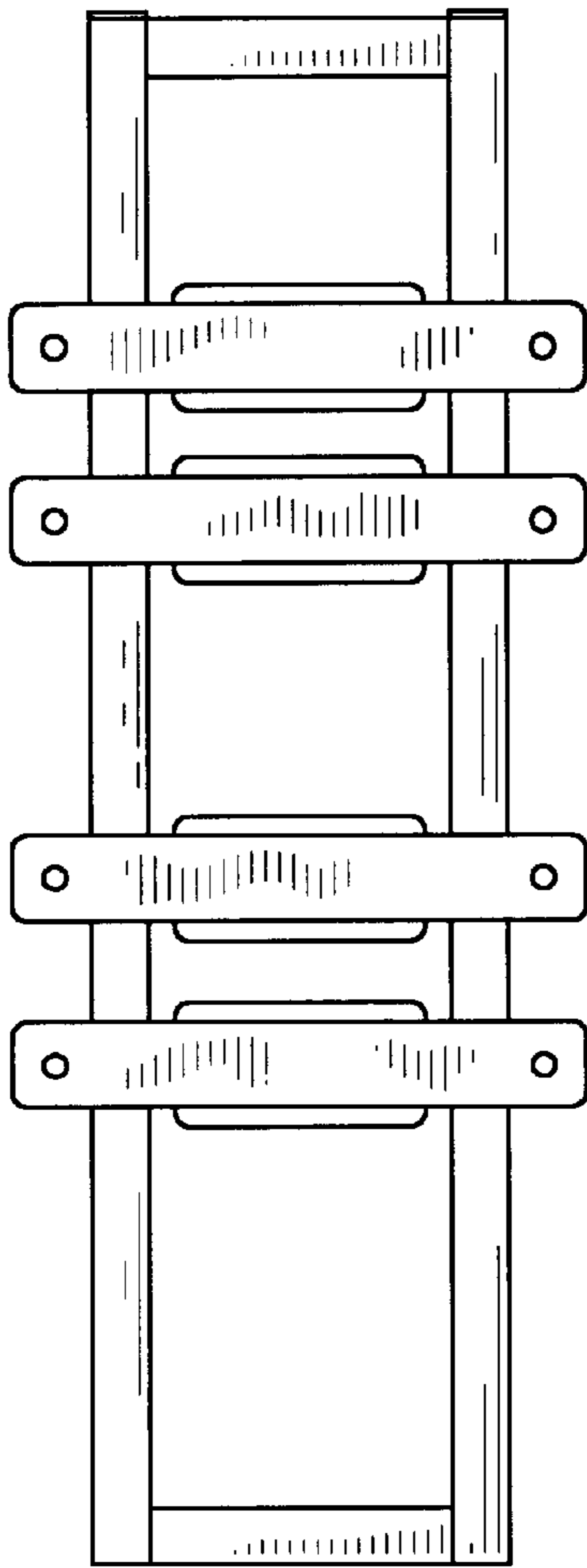


FIG-6

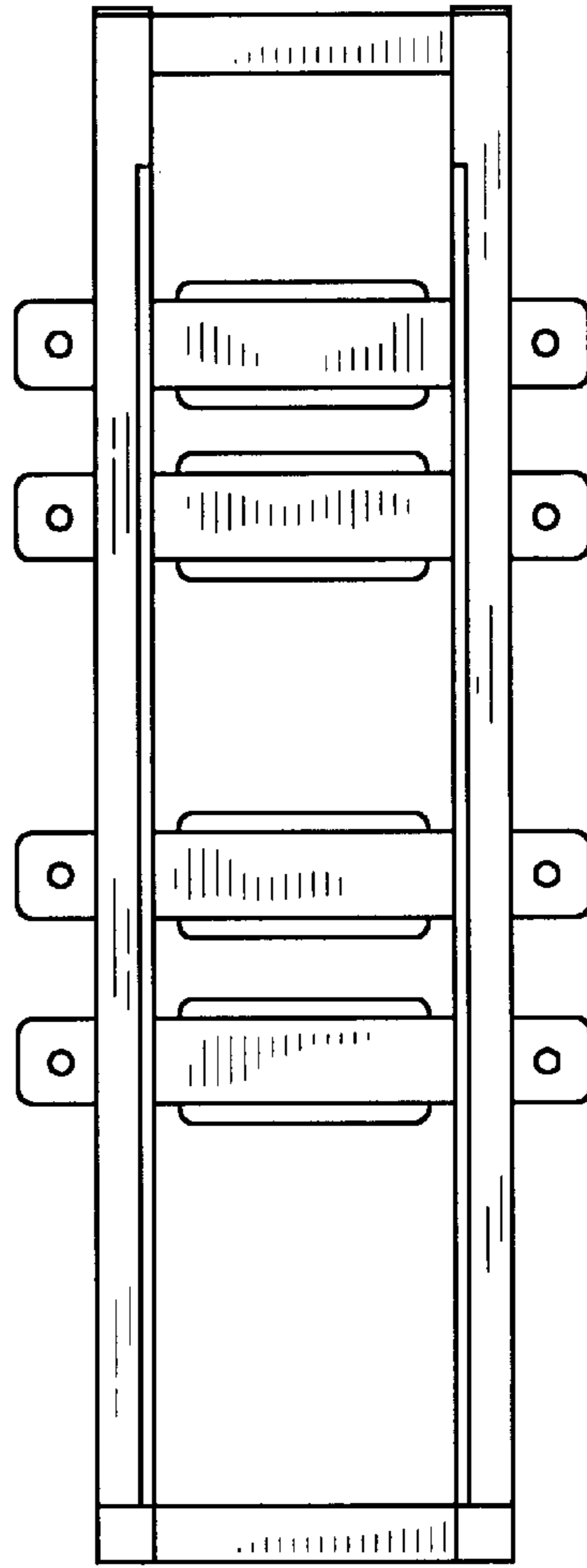


FIG-7