



US00D448462B1

(12) **United States Design Patent**
Nanjo

(10) **Patent No.:** **US D448,462 S**

(45) **Date of Patent:** **** Sep. 25, 2001**

(54) **AIR CONDITIONER**

(75) **Inventor:** **Satoshi Nanjo, Kawasaki (JP)**

(73) **Assignee:** **Fujitsu General Limited,**
Kanagawa-ken (JP)

(**) **Term:** **14 Years**

(21) **Appl. No.:** **29/137,391**

(22) **Filed:** **Feb. 21, 2001**

(30) **Foreign Application Priority Data**

Aug. 30, 2000 (JP) 12-023927

(51) **LOC (7) Cl.** **23-04**

(52) **U.S. Cl.** **D23/351; D23/354**

(58) **Field of Search** D23/351-354,
D23/333, 387, 388; 312/236; 62/259.1,
262, 263; 454/201-204, 349-351, 354,
330-332

(56) **References Cited**

U.S. PATENT DOCUMENTS

- D. 323,209 * 1/1992 Fukumoto et al. D23/351
- D. 330,585 * 10/1992 Saito et al. D23/351
- D. 331,458 * 12/1992 Saito et al. D23/351
- D. 398,974 * 9/1998 Aihara D23/351

- D. 401,682 * 11/1998 Galeazzi et al. D23/351
- D. 416,315 * 11/1999 Nanjo D23/351
- D. 424,672 * 5/2000 Nanjo D23/351
- D. 426,292 * 6/2000 Nanjo D23/351

* cited by examiner

Primary Examiner—B. J. Bullock

(74) *Attorney, Agent, or Firm*—Sughrue, Mion, Zinn,
Macpeak & Seas, PLLC

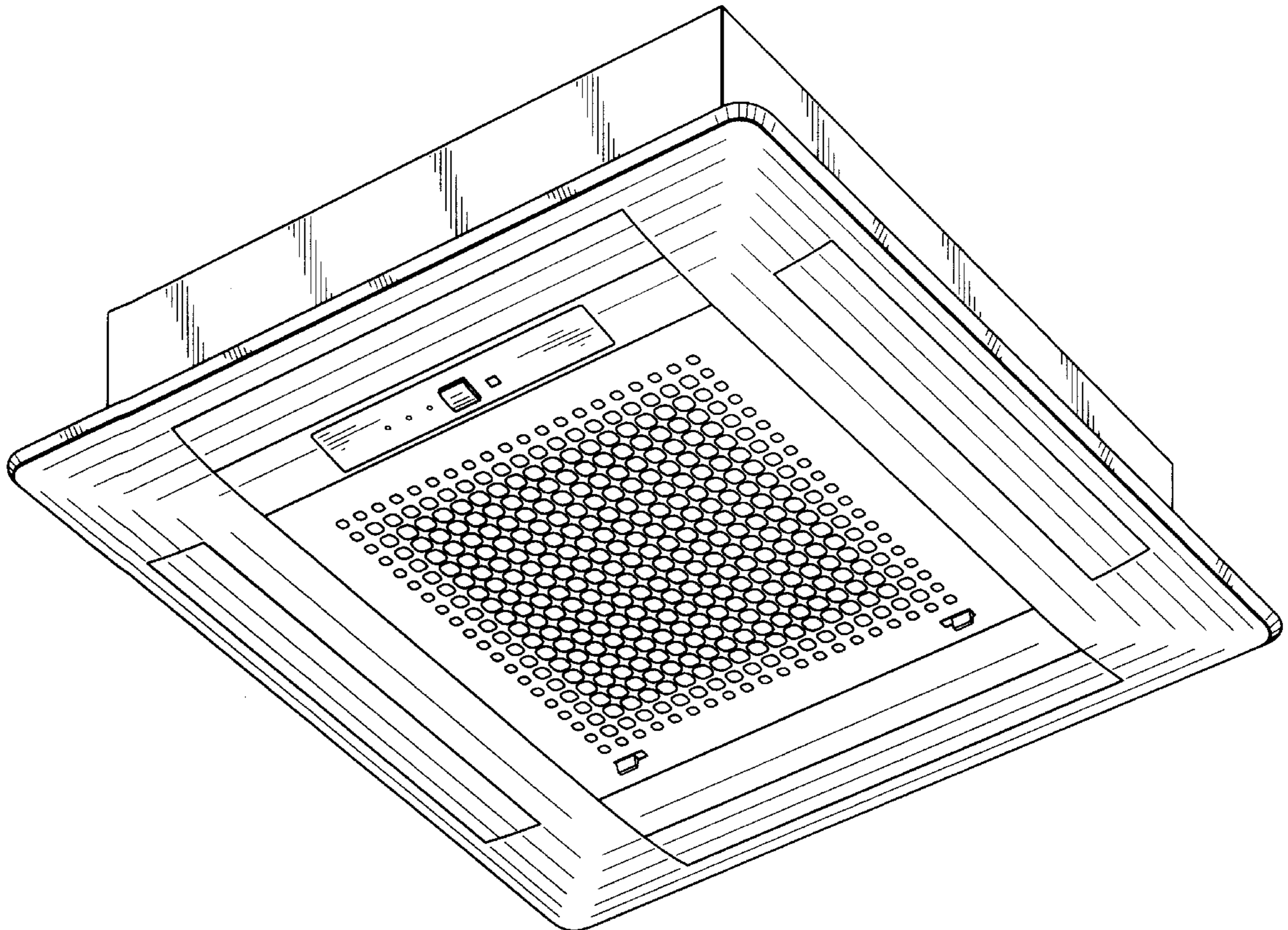
(57) **CLAIM**

The ornamental design for an air conditioner, as shown and described.

DESCRIPTION

FIG. 1 is a perspective view of the front, one side and one end of an air conditioner showing my new design;
 FIG. 2 is an end elevational view of said one end thereof;
 FIG. 3 is a front elevational view thereof;
 FIG. 4 is a side elevational view of said one side thereof;
 FIG. 5 is a side elevational view of an opposite side thereof;
 FIG. 6 is a rear elevational view thereof;
 FIG. 7 is an end elevational view of an opposite end thereof;
 and,
 FIG. 8 is a perspective view similar to FIG. 1 with air passage covers in the open position.

1 Claim, 5 Drawing Sheets



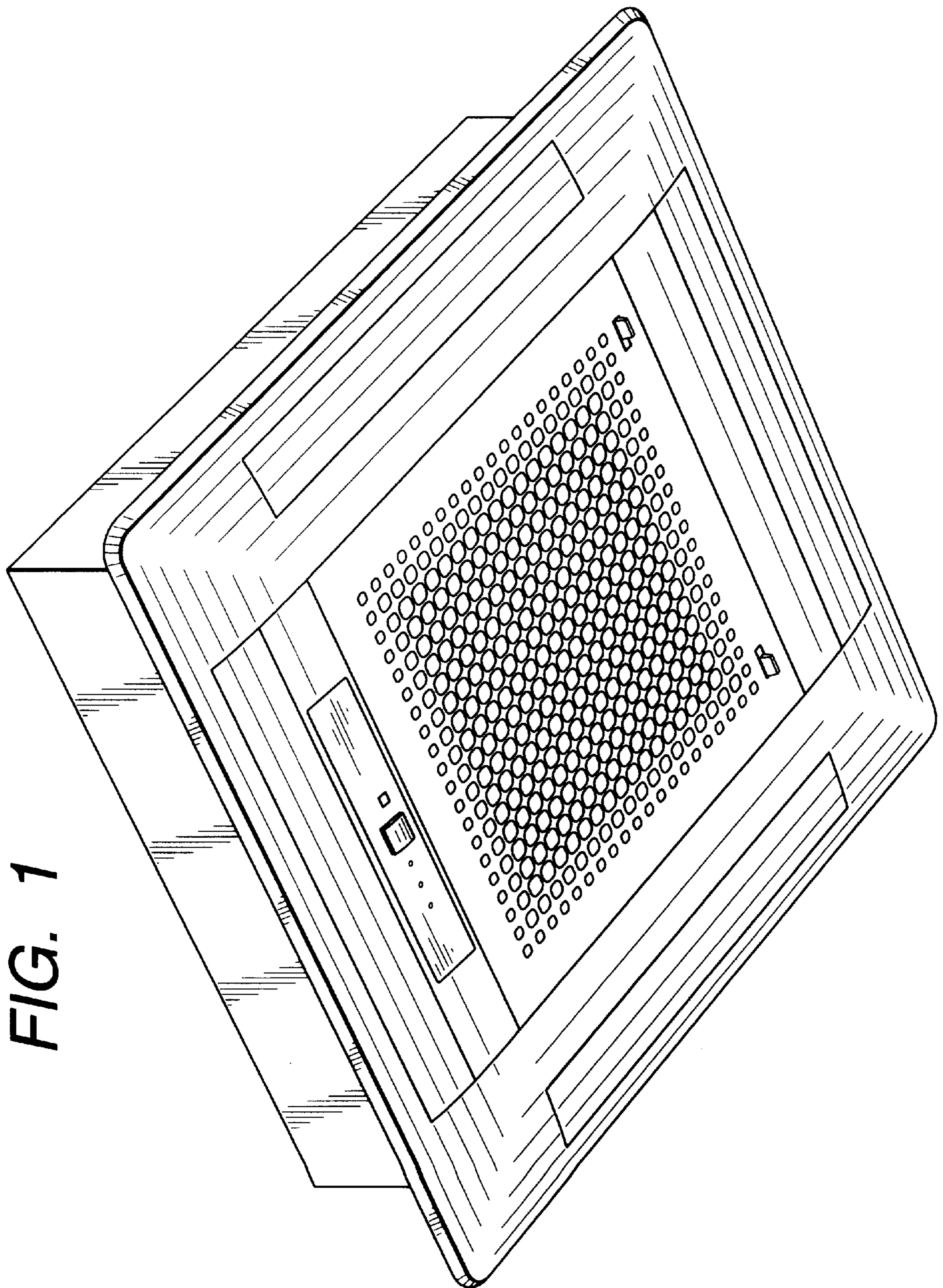


FIG. 1

FIG. 2

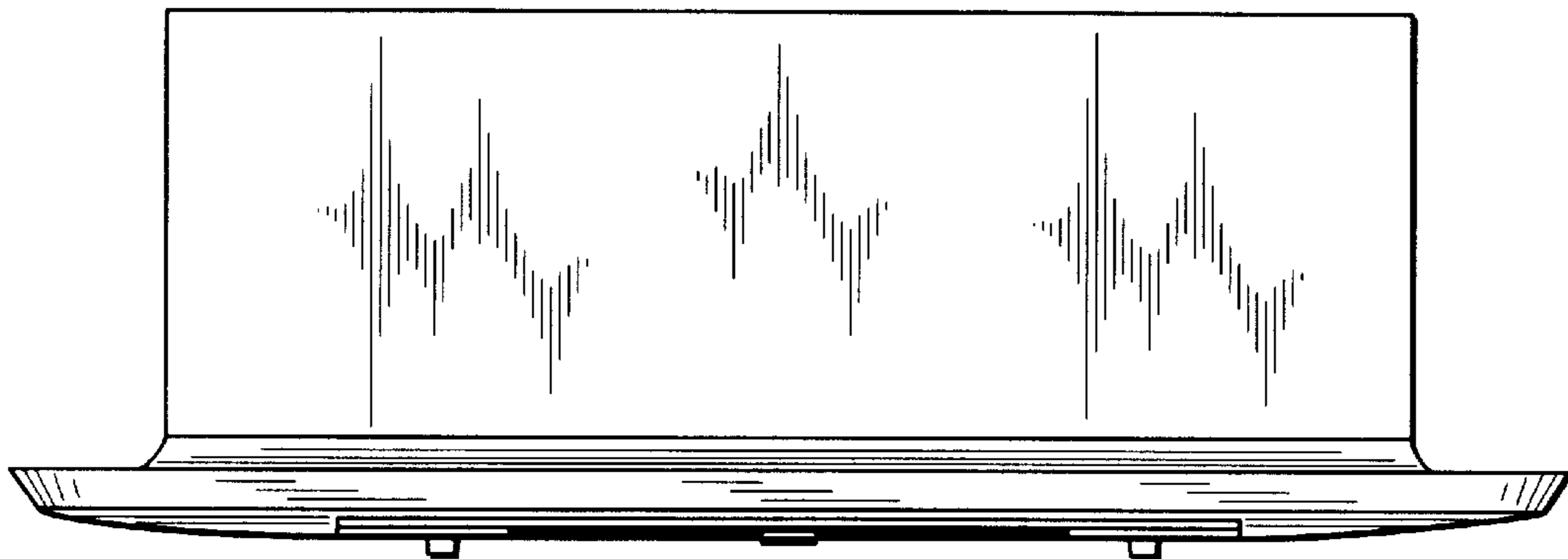


FIG. 3

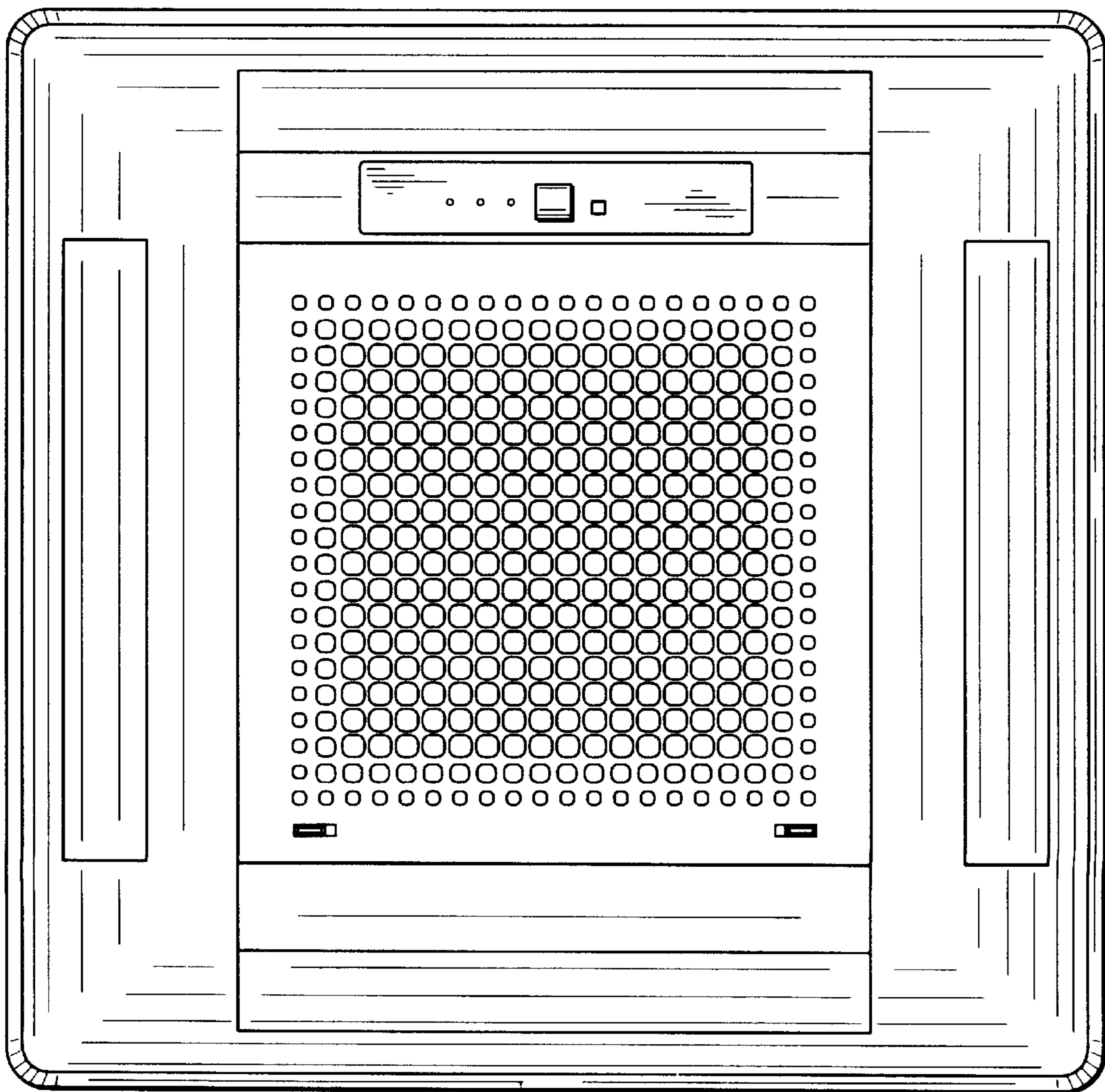


FIG. 4



FIG. 5

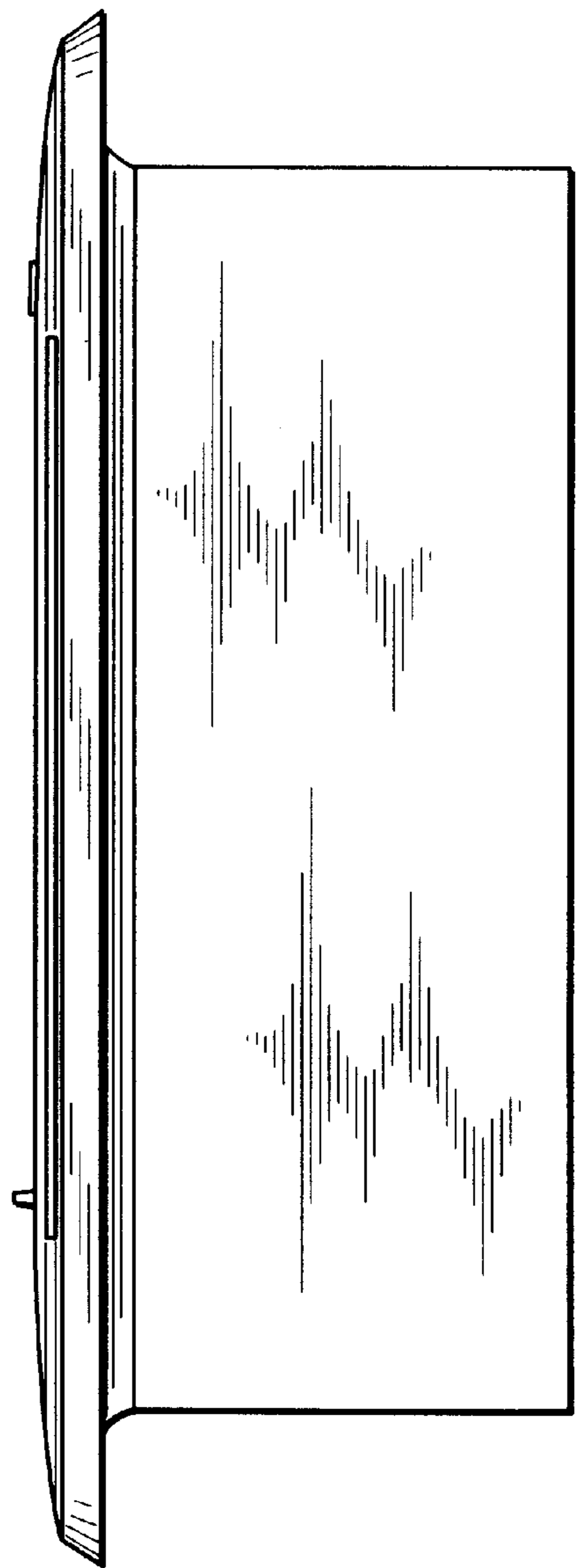


FIG. 6

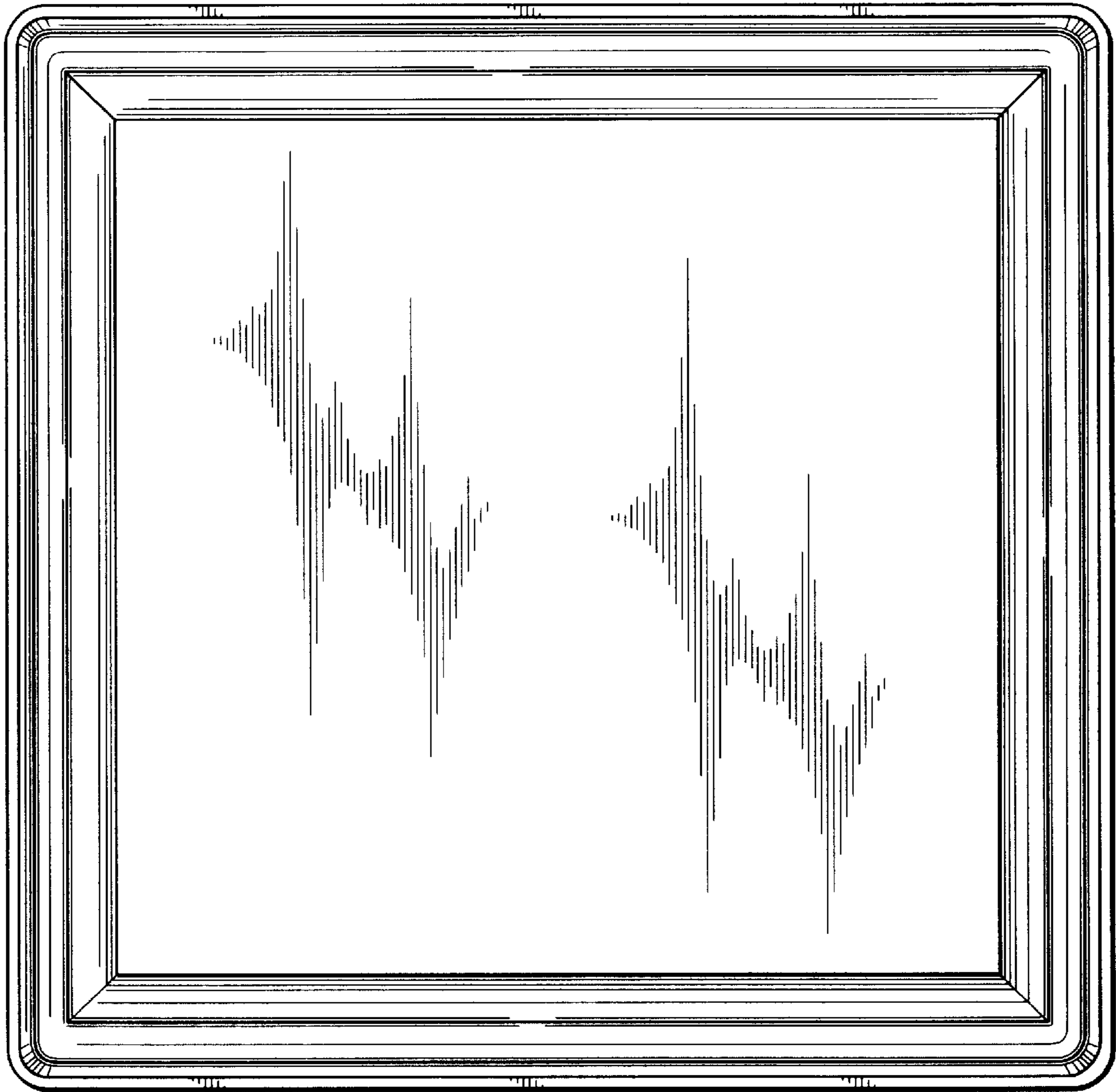
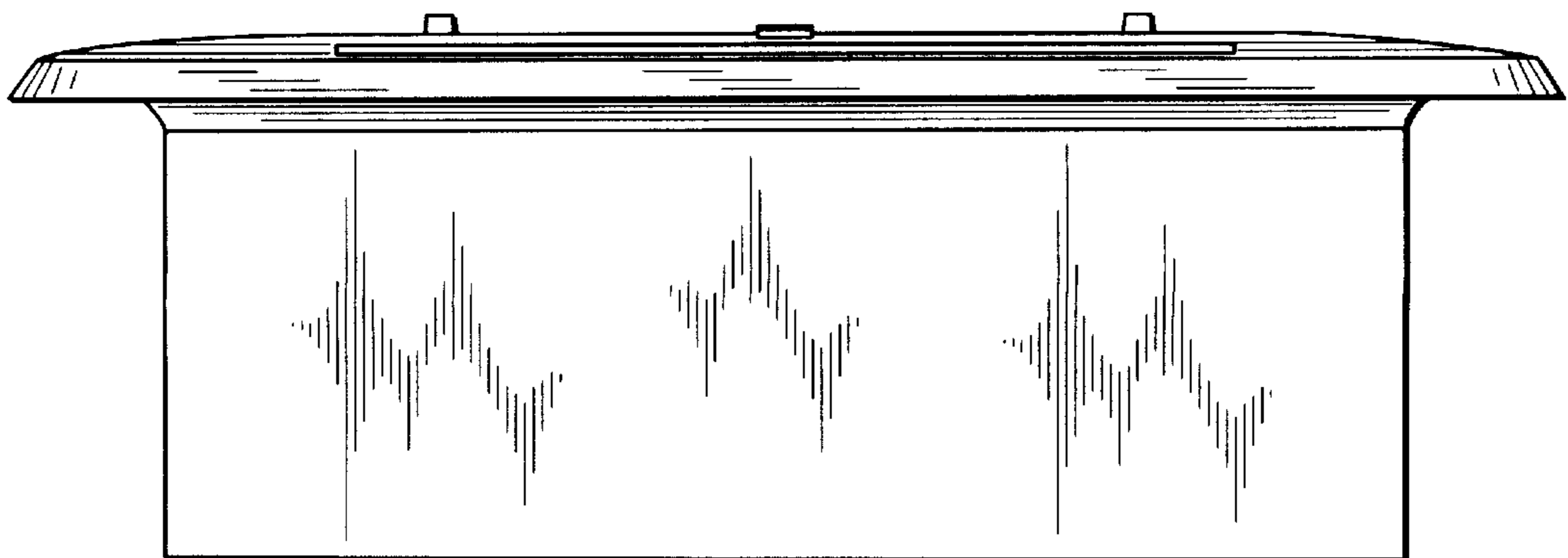


FIG. 7



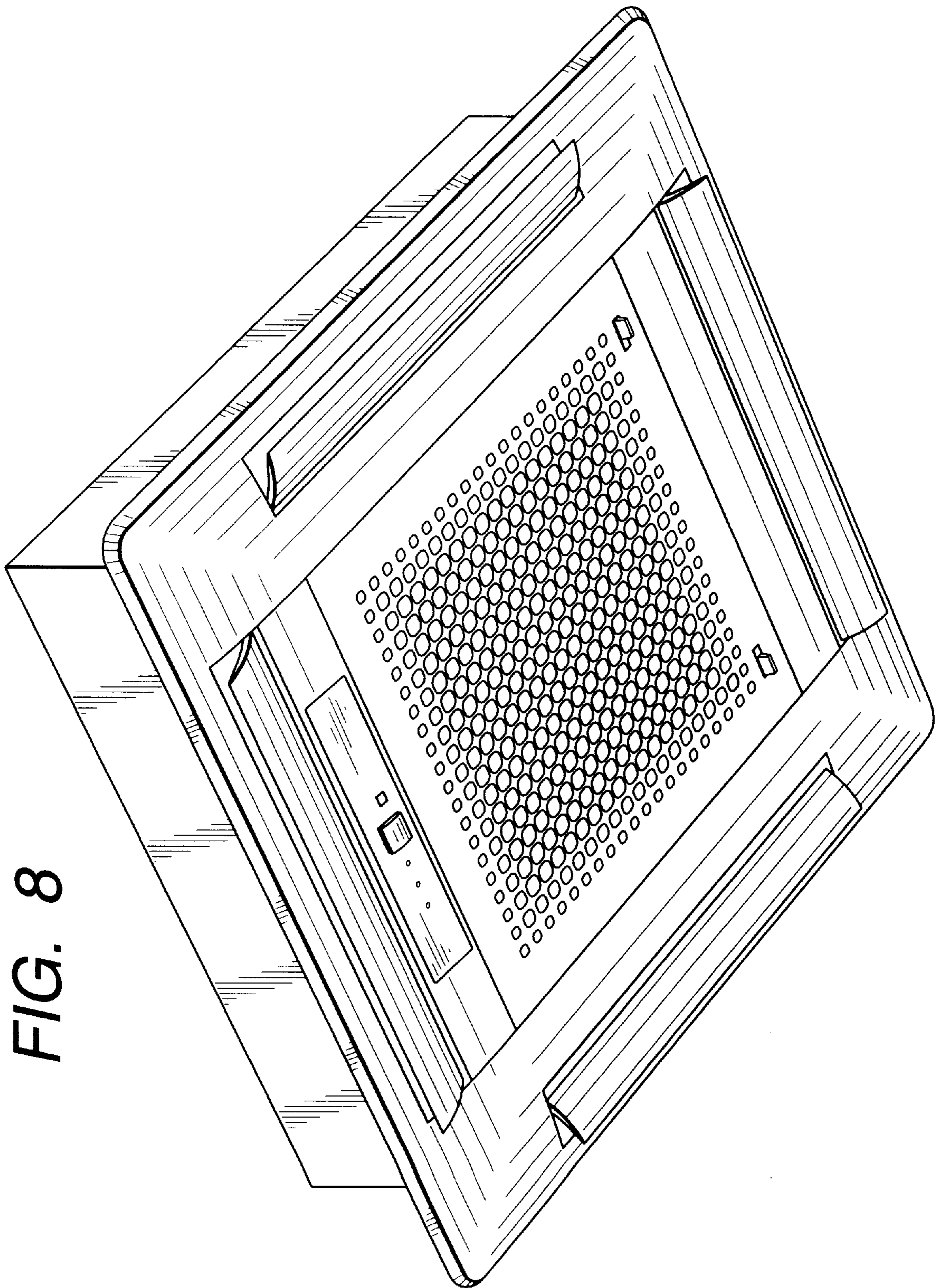


FIG. 8