



US00D448460B1

(12) **United States Design Patent**  
**Hamasaki et al.**

(10) **Patent No.:** **US D448,460 S**

(45) **Date of Patent:** **\*\* Sep. 25, 2001**

(54) **HEAT EXCHANGER**

(75) Inventors: **Hiroaki Hamasaki; Kanehiro Takai,**  
both of Fujinomiya (JP)

(73) Assignee: **Terumo Corporation, Tokyo (JP)**

(\*\*) Term: **14 Years**

(21) Appl. No.: **29/105,685**

(22) Filed: **Jun. 1, 1999**

(30) **Foreign Application Priority Data**

Dec. 2, 1998 (JP) ..... 10-34628

(51) **LOC (7) Cl.** ..... **23-03**

(52) **U.S. Cl.** ..... **D23/323**

(58) **Field of Search** ..... D23/323, 330;  
165/144, 157, 135, 178

(56) **References Cited**

**U.S. PATENT DOCUMENTS**

2,349,143 \* 5/1944 Chute et al. .

2,658,729 \* 11/1953 Horwitz .  
3,527,290 \* 9/1970 Lossing .  
3,578,067 \* 5/1971 Schlosberg ..... 165/157  
3,768,554 \* 10/1973 Stahl ..... 165/178  
4,889,182 \* 12/1989 Kösters ..... 165/135  
5,755,280 \* 5/1998 da Costa et al. .... 165/157

\* cited by examiner

*Primary Examiner*—B. J. Bullock

(74) *Attorney, Agent, or Firm*—Kenyon & Kenyon

(57) **CLAIM**

The ornamental design for a heat exchanger, as shown and described.

**DESCRIPTION**

FIG. 1 is a top plan view of a heat exchanger in a circular configuration showing our new design; FIG. 2 is a front elevational view thereof; FIG. 3 is a bottom plan view thereof; FIG. 4 is a left side elevational view thereof; and, FIG. 5 is a right side elevational view thereof.

**1 Claim, 3 Drawing Sheets**

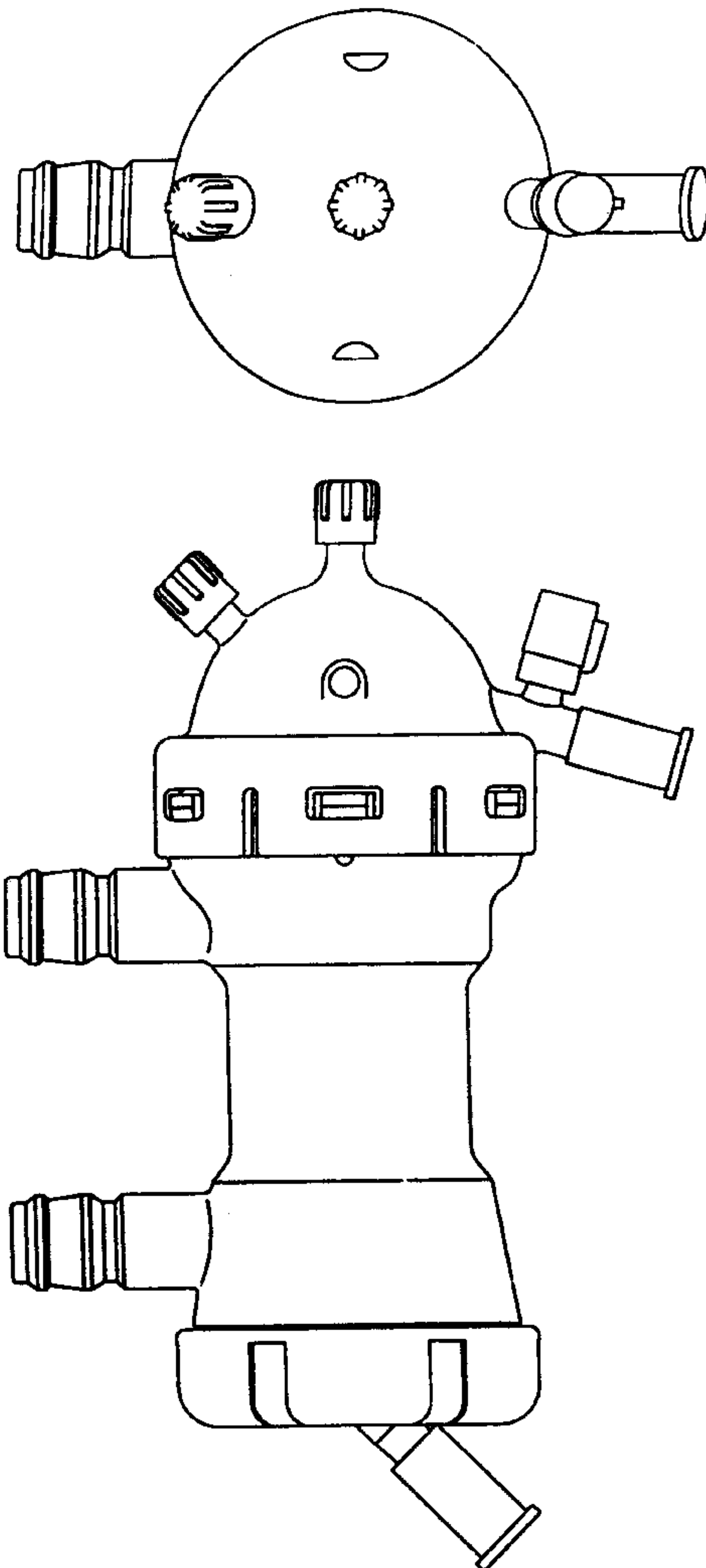


Fig. 1

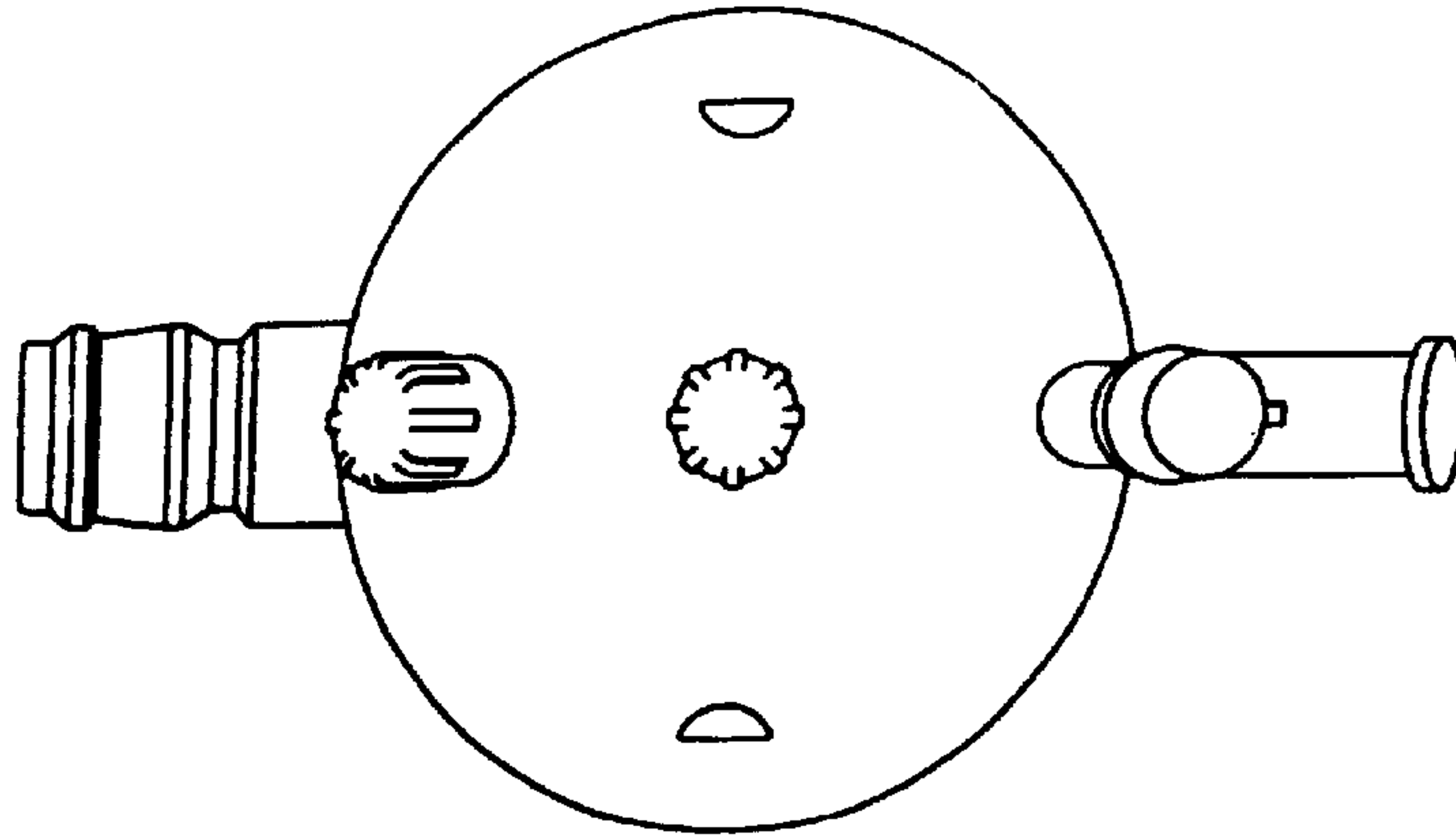


Fig. 2

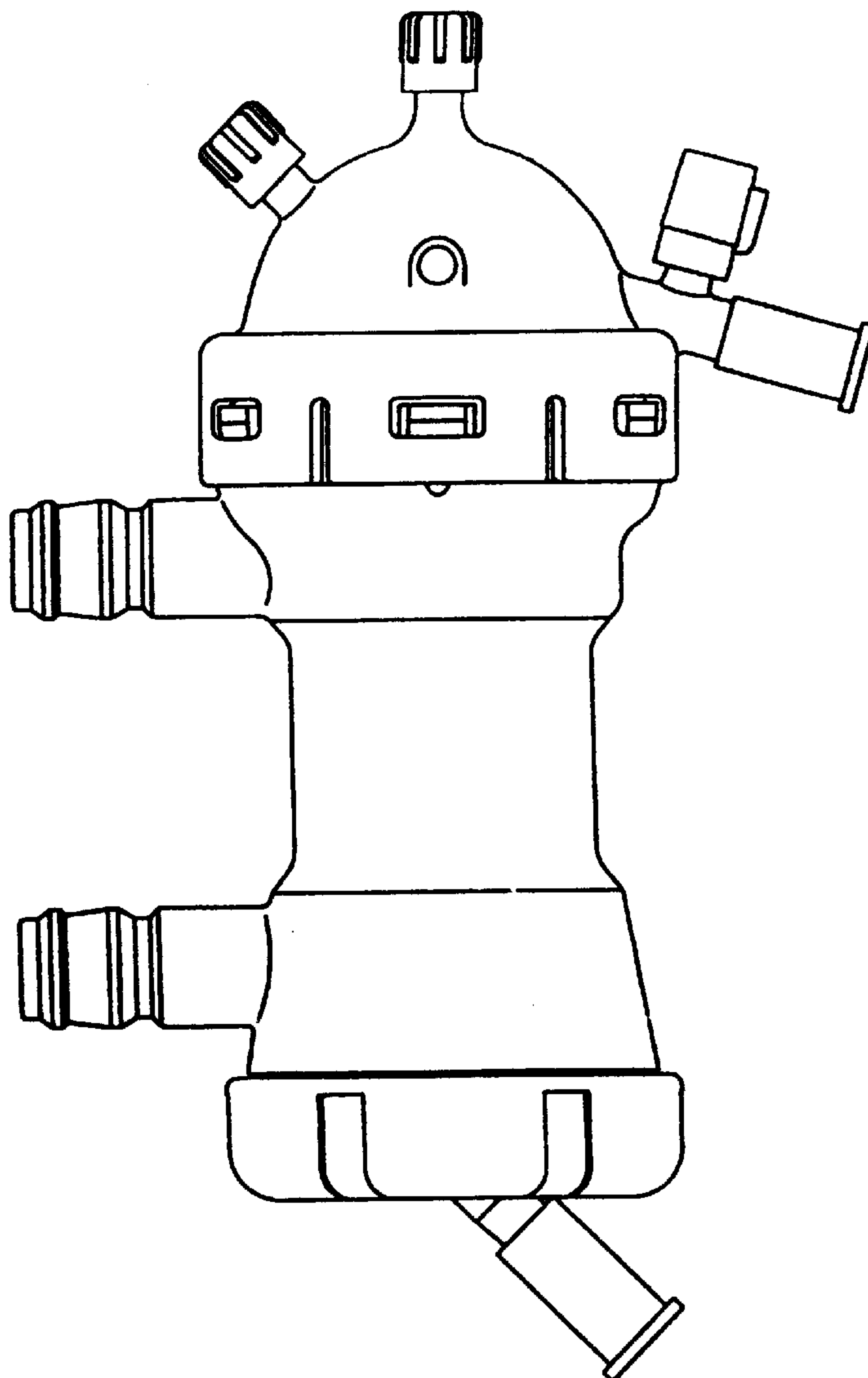


Fig. 3

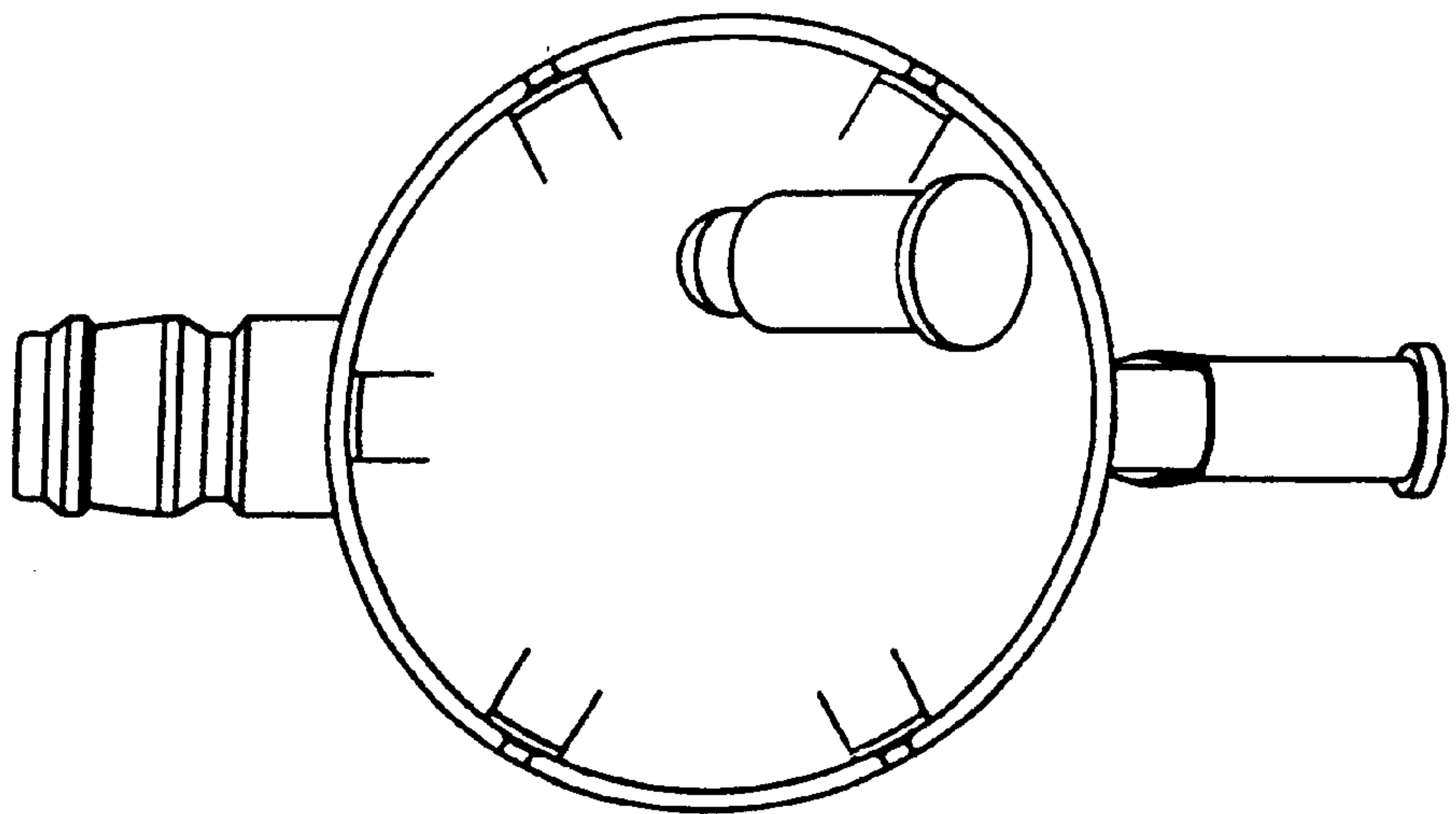


Fig. 4

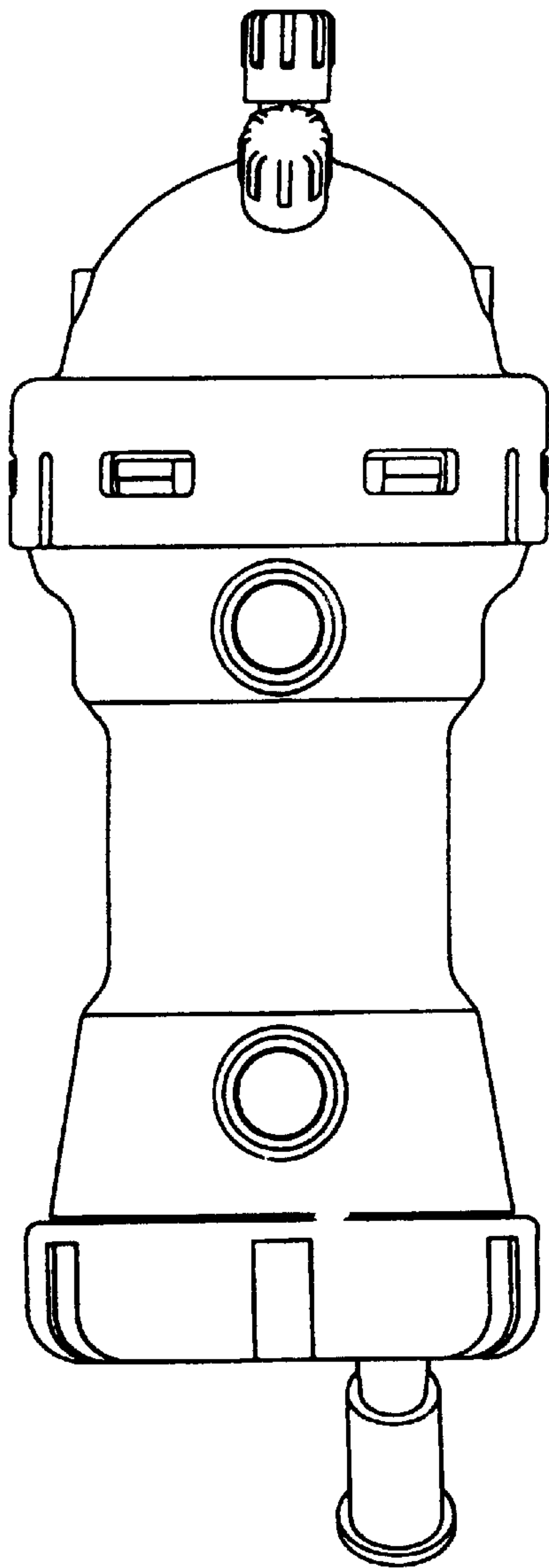


Fig. 5

