



US00D448454B1

(12) **United States Design Patent**  
**Lai**

(10) **Patent No.:** **US D448,454 S**

(45) **Date of Patent:** **\*\* Sep. 25, 2001**

(54) **SWITCH VALVE**

4,762,301 \* 8/1988 Wozniak et al. .... 251/315

(76) Inventor: **Hung-Lin Lai**, P.O. Box 453, Taichung (TW)

\* cited by examiner

*Primary Examiner*—Robin V. Taylor

(\*\*) Term: **14 Years**

(57) **CLAIM**

(21) Appl. No.: **29/131,299**

I claim the ornamental design for a switch valve, as shown and described.

(22) Filed: **Oct. 19, 2000**

**DESCRIPTION**

(51) **LOC (7) Cl.** ..... **23-01**

(52) **U.S. Cl.** ..... **D23/245**

(58) **Field of Search** ..... D23/233–236,  
D23/244–5; 251/309–10, 315.01, 315.14

FIG. 1 is an upper perspective view of the switch valve showing my design.

FIG. 2 is a front view thereof;

FIG. 3 is a back view thereof;

FIG. 4 is a side view thereof;

FIG. 5 is an opposite side view thereof;

FIG. 6 is a top view thereof; and,

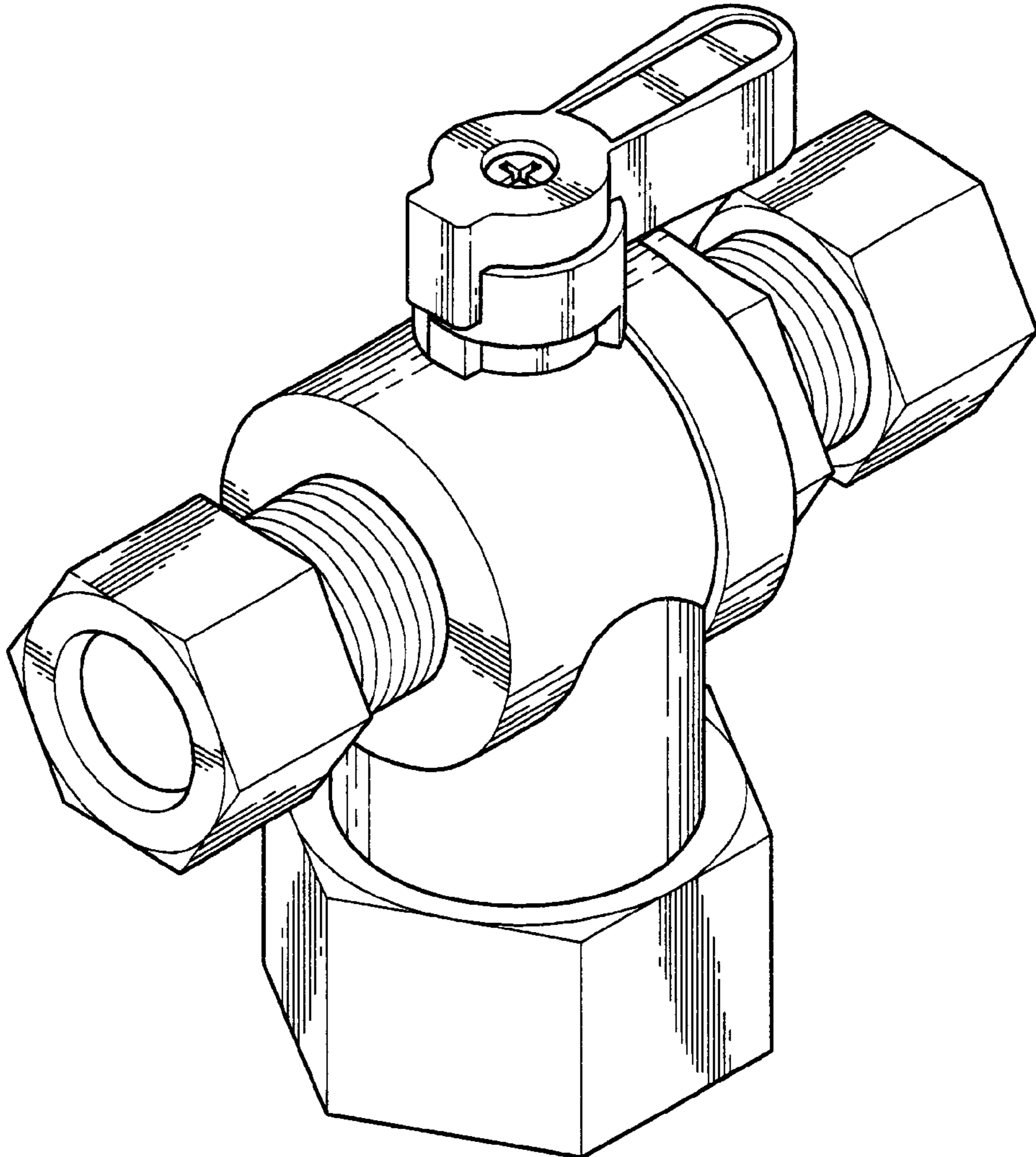
FIG. 7 is a bottom view thereof.

(56) **References Cited**

**U.S. PATENT DOCUMENTS**

D. 430,922	*	9/2000	Hung-Lin	.....	D23/245
4,262,880	*	4/1981	Danko et al.	.....	251/309
4,744,390	*	5/1988	Henry	.....	251/309

**1 Claim, 4 Drawing Sheets**



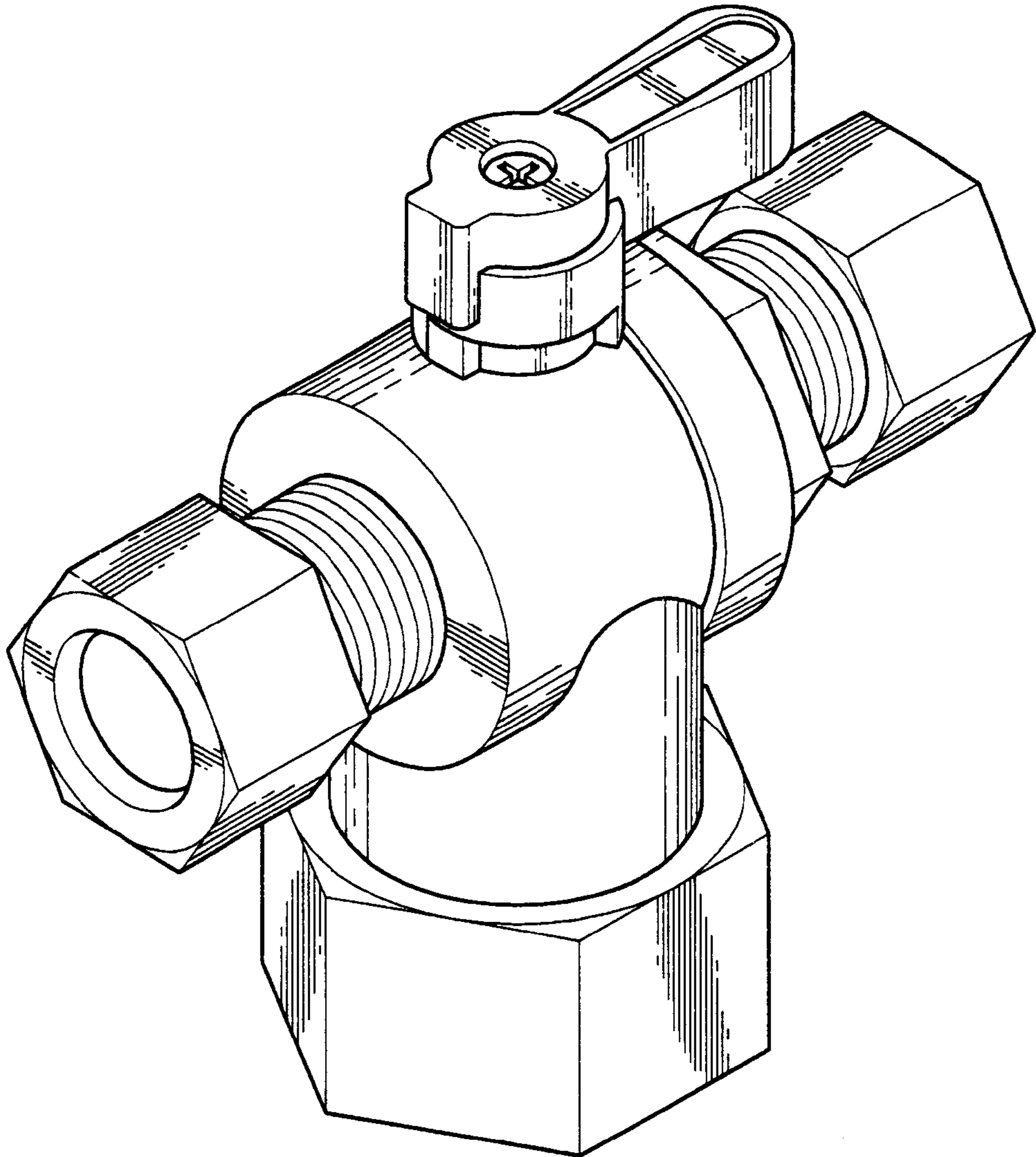


FIG.1

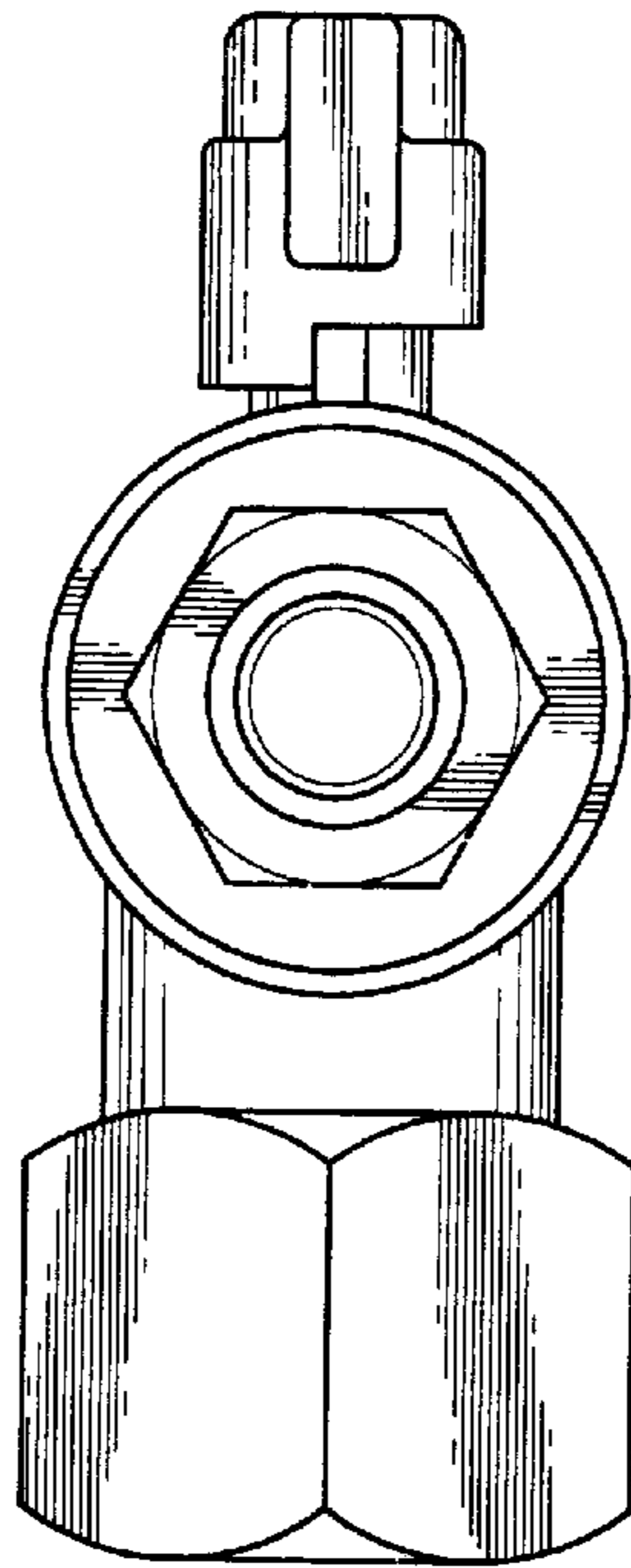


FIG. 2

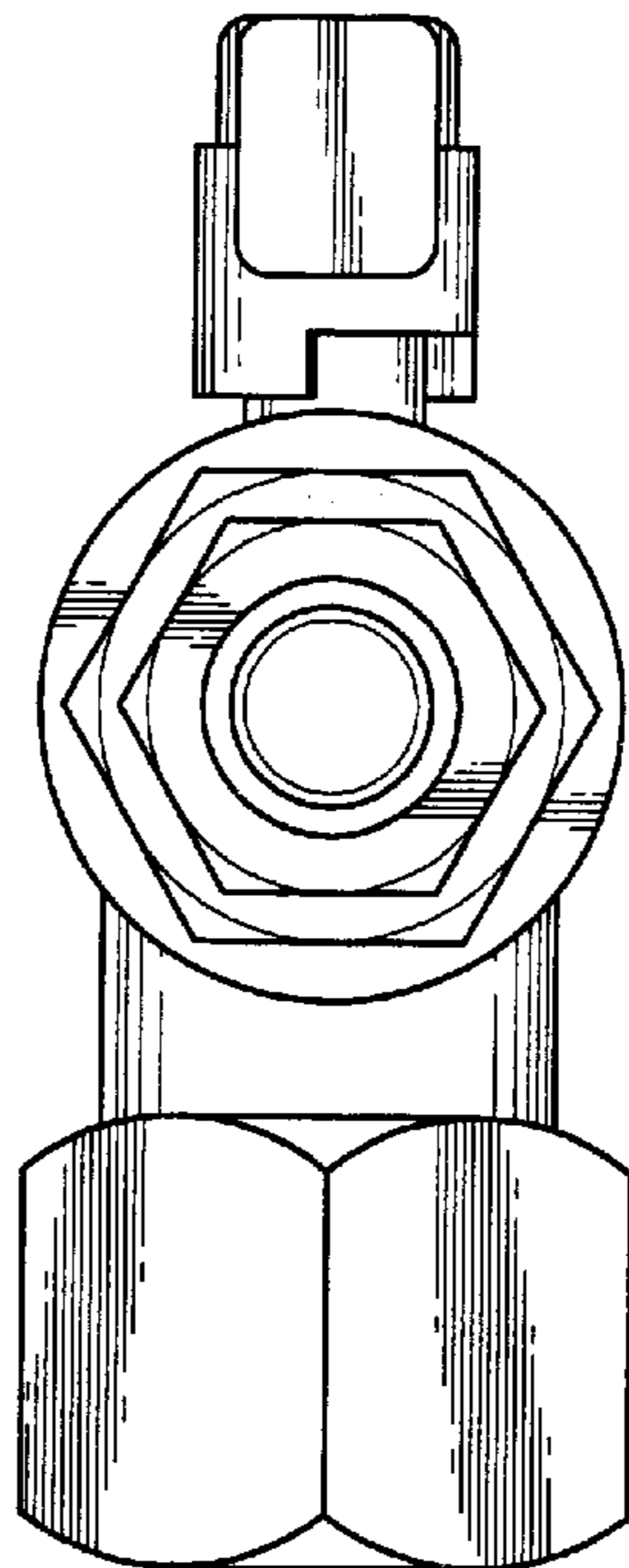


FIG. 3

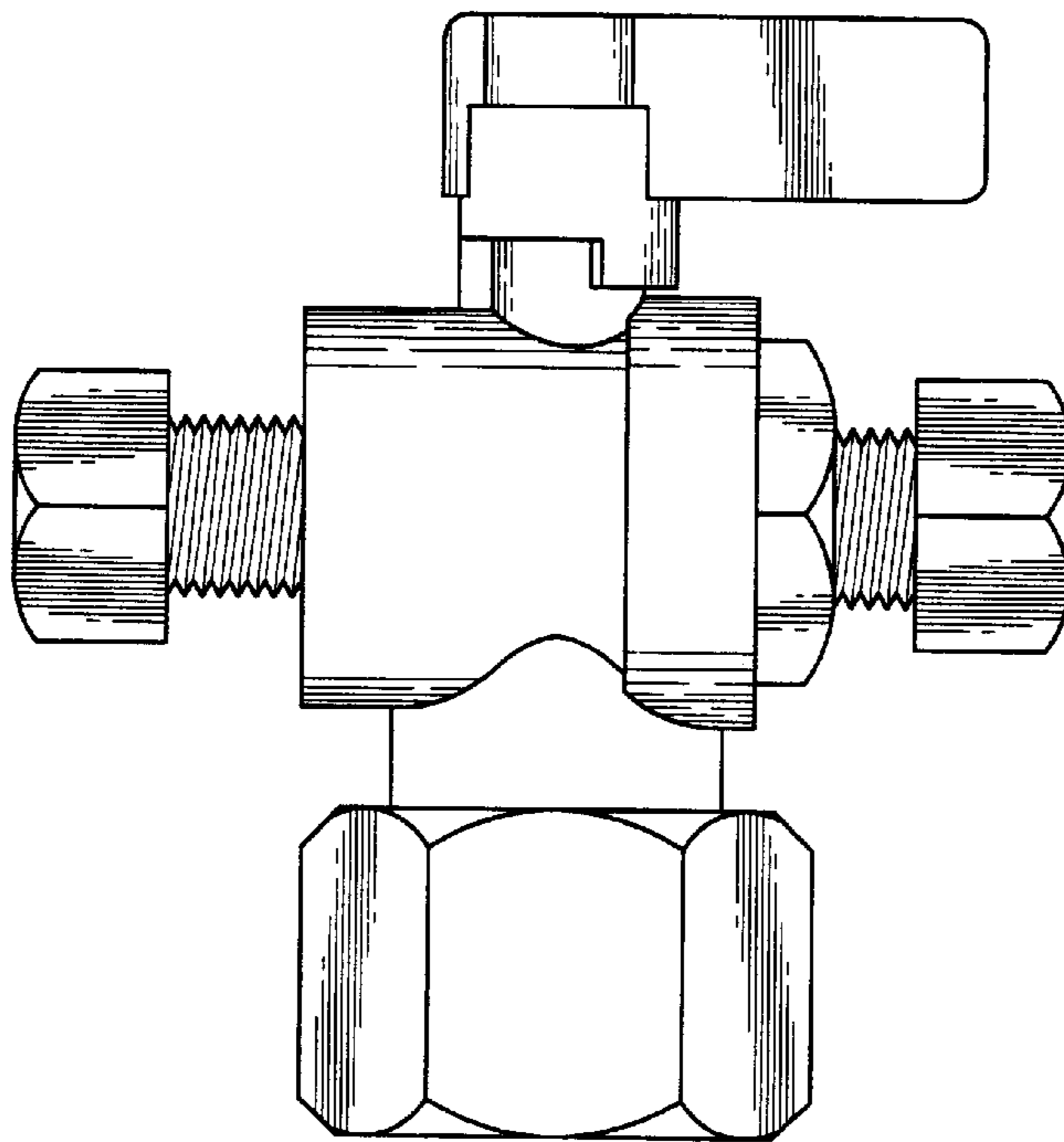


FIG. 4

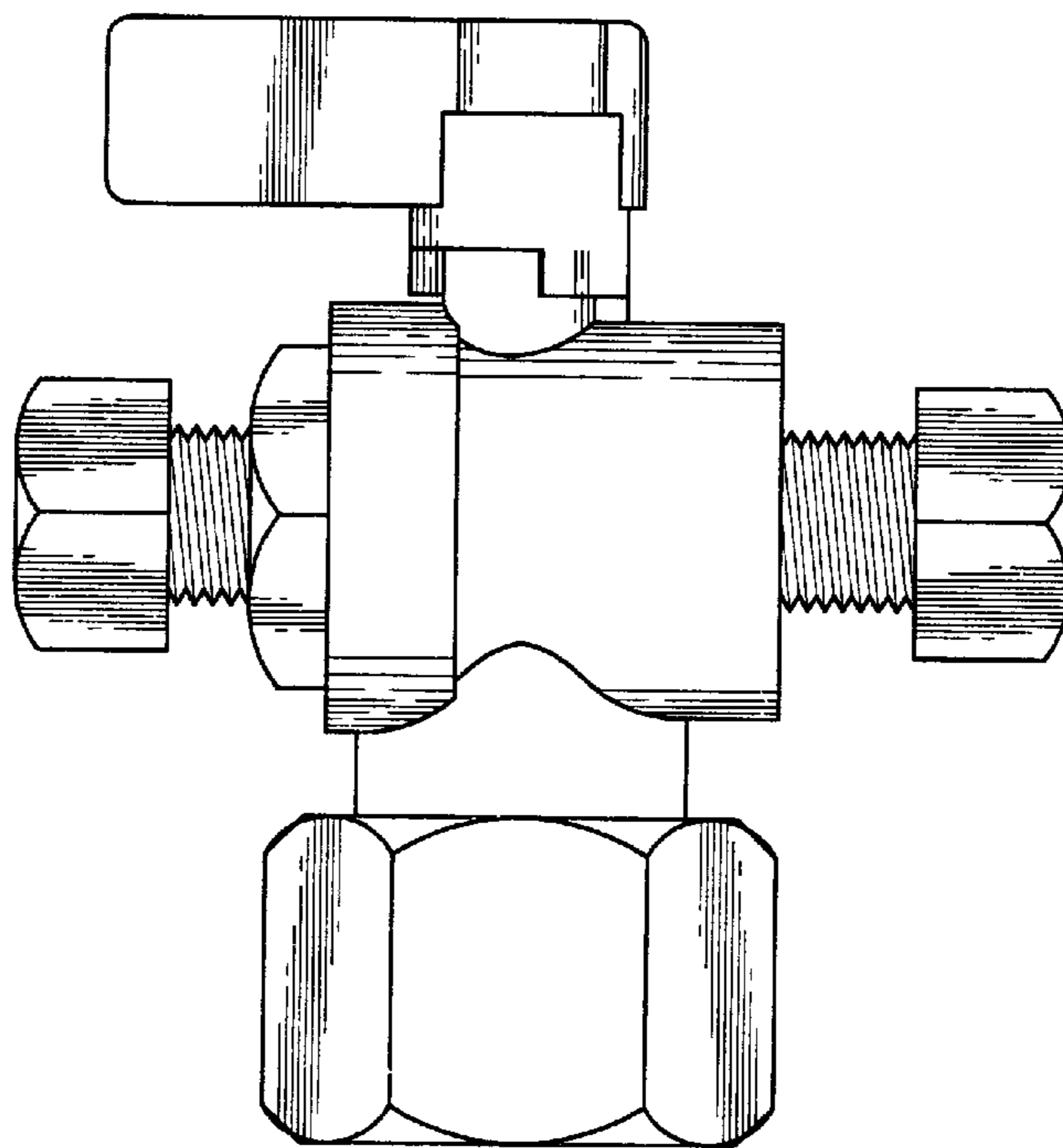


FIG. 5

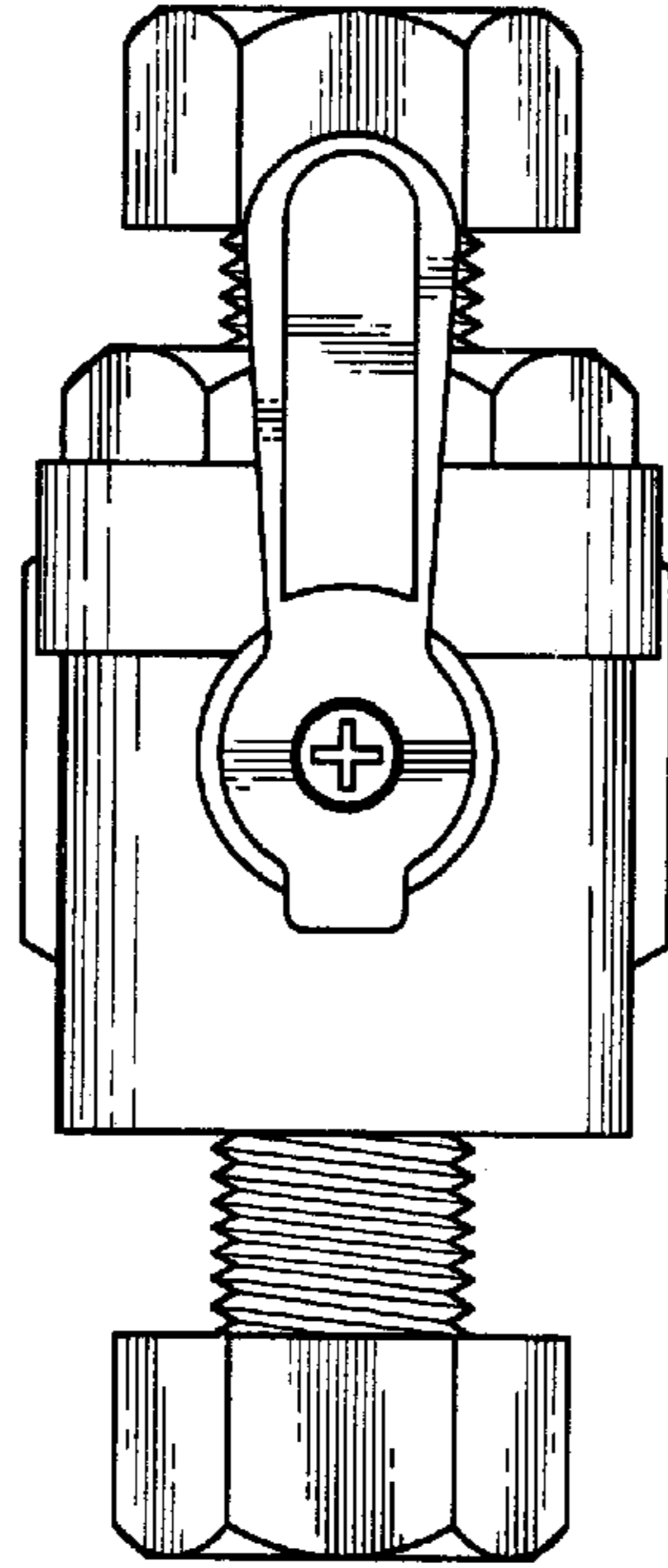


FIG. 6

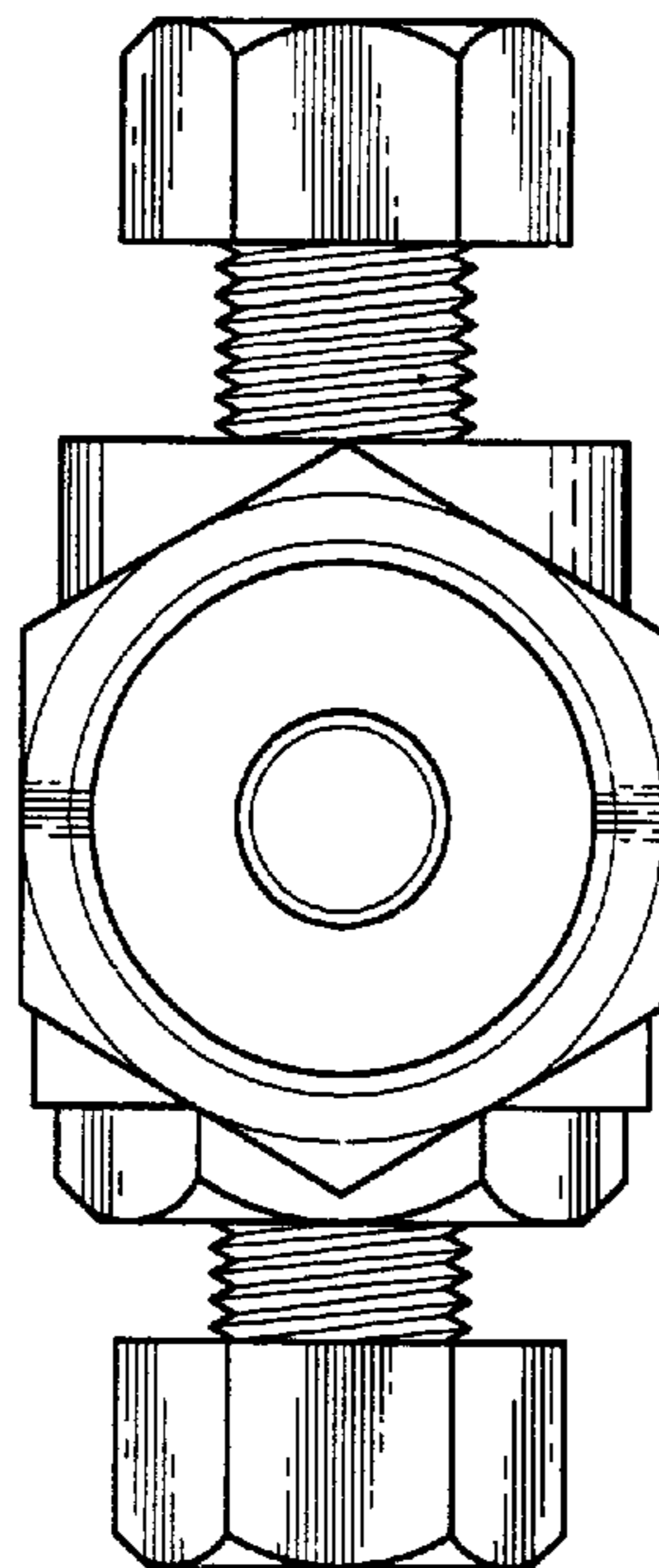


FIG. 7