



US00D448453B1

(12) **United States Design Patent**  
**Lord**

(10) **Patent No.:** **US D448,453 S**

(45) **Date of Patent:** **\*\* Sep. 25, 2001**

(54) **FAUCET**

(75) **Inventor:** **Judd A. Lord**, Carmel, IN (US)

(73) **Assignee:** **Masco Corporation of Indiana**,  
Indianapolis, IN (US)

(\*\*) **Term:** **14 Years**

(21) **Appl. No.:** **29/117,573**

(22) **Filed:** **Jan. 27, 2000**

(51) **LOC (7) Cl.** ..... **23-01**

(52) **U.S. Cl.** ..... **D23/241**

(58) **Field of Search** ..... D23/238-257;  
D8/301-308, 310; 4/675-678; 137/801

(56) **References Cited**

**U.S. PATENT DOCUMENTS**

D. 60,347	*	2/1922	Kersten	.....	D23/241
D. 207,044	*	2/1967	Hurwitz	.....	D23/241
D. 276,259		11/1984	Miller	.	
D. 288,835		3/1987	Yost	.	
D. 293,362		12/1987	Hill et al.	.	
D. 295,551		5/1988	Yost	.	
D. 318,906		8/1991	Spangler	.	
D. 320,645		10/1991	Knapp et al.	.	
D. 321,750		11/1991	Spangler	.	
D. 355,578	*	2/1995	Mark et al.	.....	D8/308
D. 357,525	*	4/1995	Fabian	.....	D23/252
D. 363,536		10/1995	Hill et al.	.	
D. 363,766		10/1995	Hill et al.	.	
D. 363,974	*	11/1995	Doughty et al.	.....	D23/241
D. 364,218		11/1995	Hill et al.	.	
D. 364,219		11/1995	Hill et al.	.	
D. 364,220		11/1995	Hill et al.	.	
D. 365,384	*	12/1995	Robbins	.....	D23/252
D. 366,099		1/1996	Hill et al.	.	

D. 367,701		3/1996	Hill et al.	.	
D. 367,920		3/1996	Hill et al.	.	
D. 374,709	*	10/1996	Doughty et al.	.....	D23/249
D. 392,720	*	3/1998	Doughty et al.	.....	D23/250
D. 418,578	*	1/2000	Warshawsky et al.	.....	D23/241

**OTHER PUBLICATIONS**

Delta 1994 Full-Line Price List, (c) 1994 Masco Corporation of Indiana, pp. 14, 21-22, 26-27, 44-45.  
Kohler K-500 Design Manual, p. 40 Taboret Faucet, Oct. 1990.\*

\* cited by examiner

*Primary Examiner*—Louis S. Zarfes

*Assistant Examiner*—Gregory Andoll

(74) *Attorney, Agent, or Firm*—Myron B. Kapustij; Lloyd D. Doigan

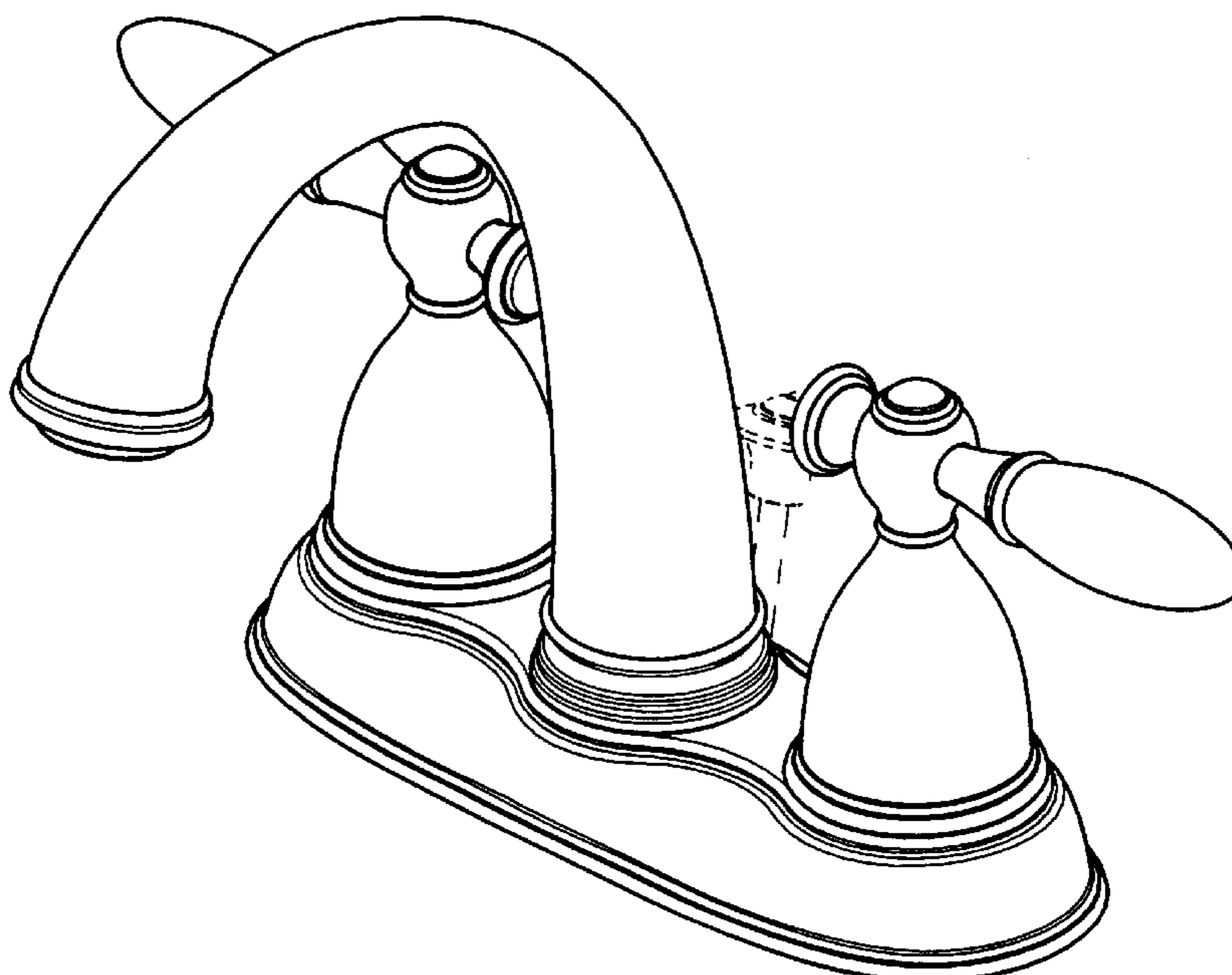
(57) **CLAIM**

The ornamental design for a faucet, as shown and described.

**DESCRIPTION**

FIG. 1 is a rear perspective view of the faucet showing my new design;  
FIG. 2 is a front perspective view thereof;  
FIG. 3 is a front elevational view thereof;  
FIG. 4 is a right side elevational view thereof, the left side being a mirror image;  
FIG. 5 is a top plan view thereof;  
FIG. 6 is a rear elevational view thereof; and,  
FIG. 7 is a bottom plan view thereof.  
The broken line showing of the lift rod in FIG. 2 is for purposes of illustration only and forms no part of the claimed design.

**1 Claim, 5 Drawing Sheets**



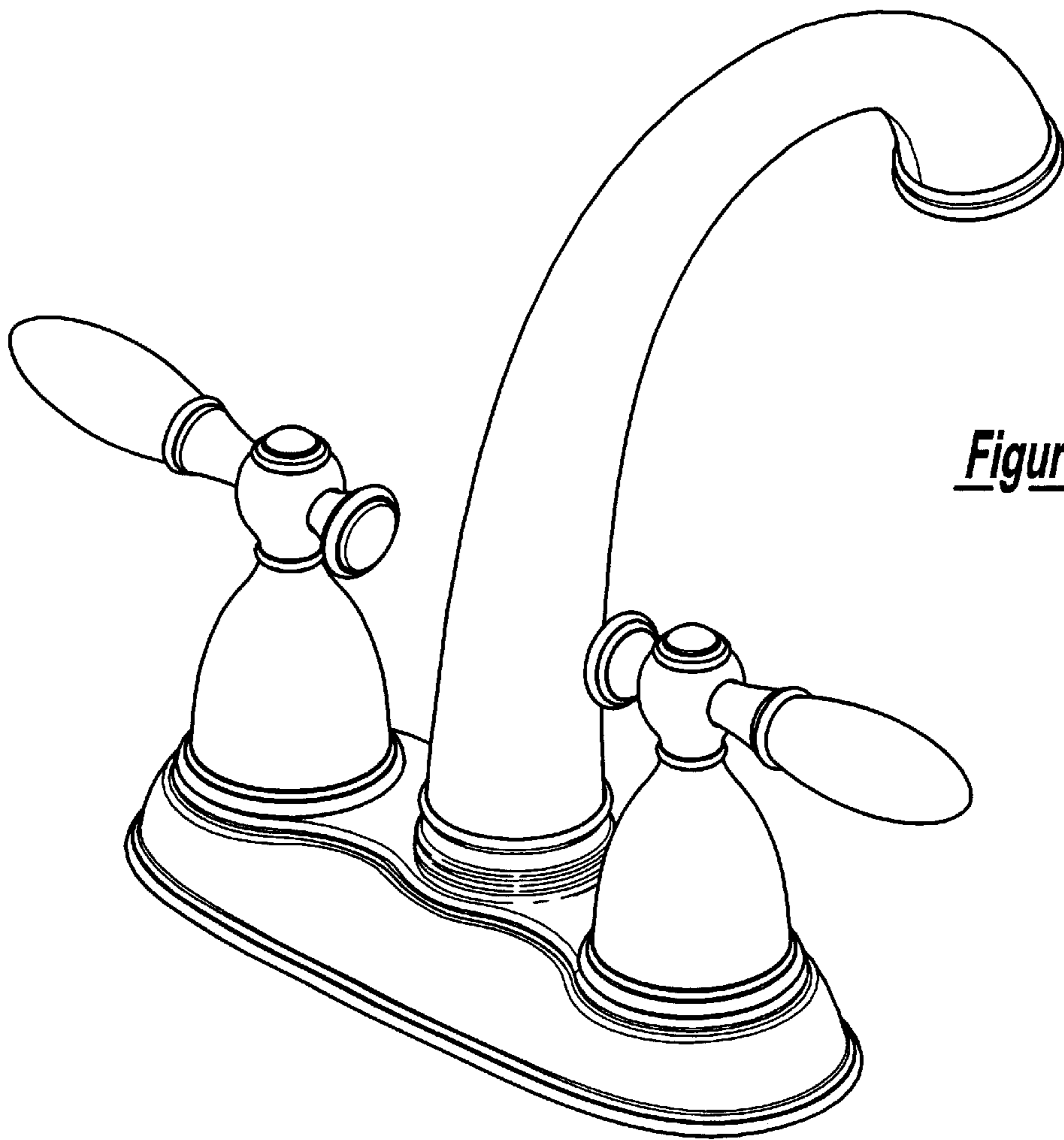


Figure - 1

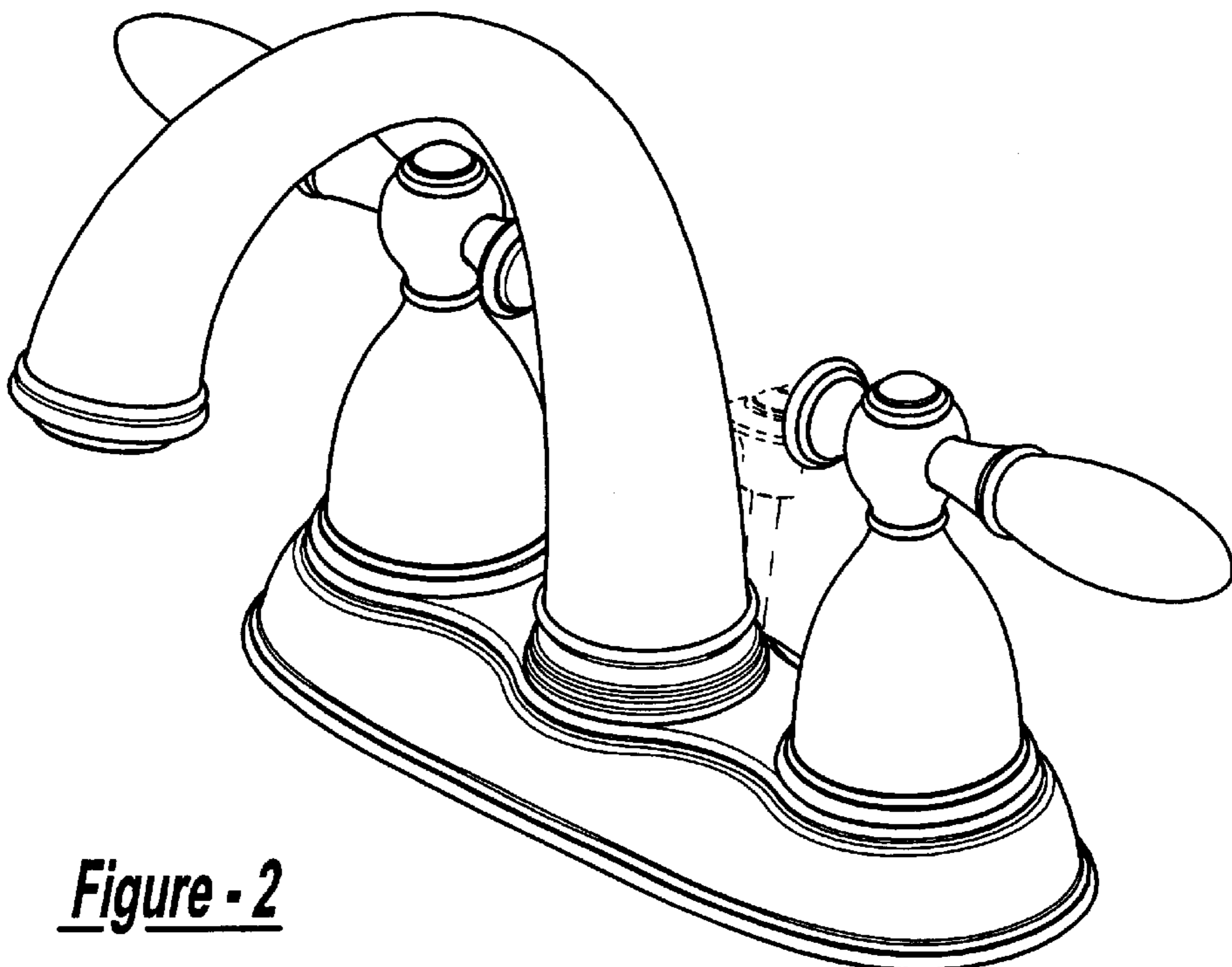


Figure - 2

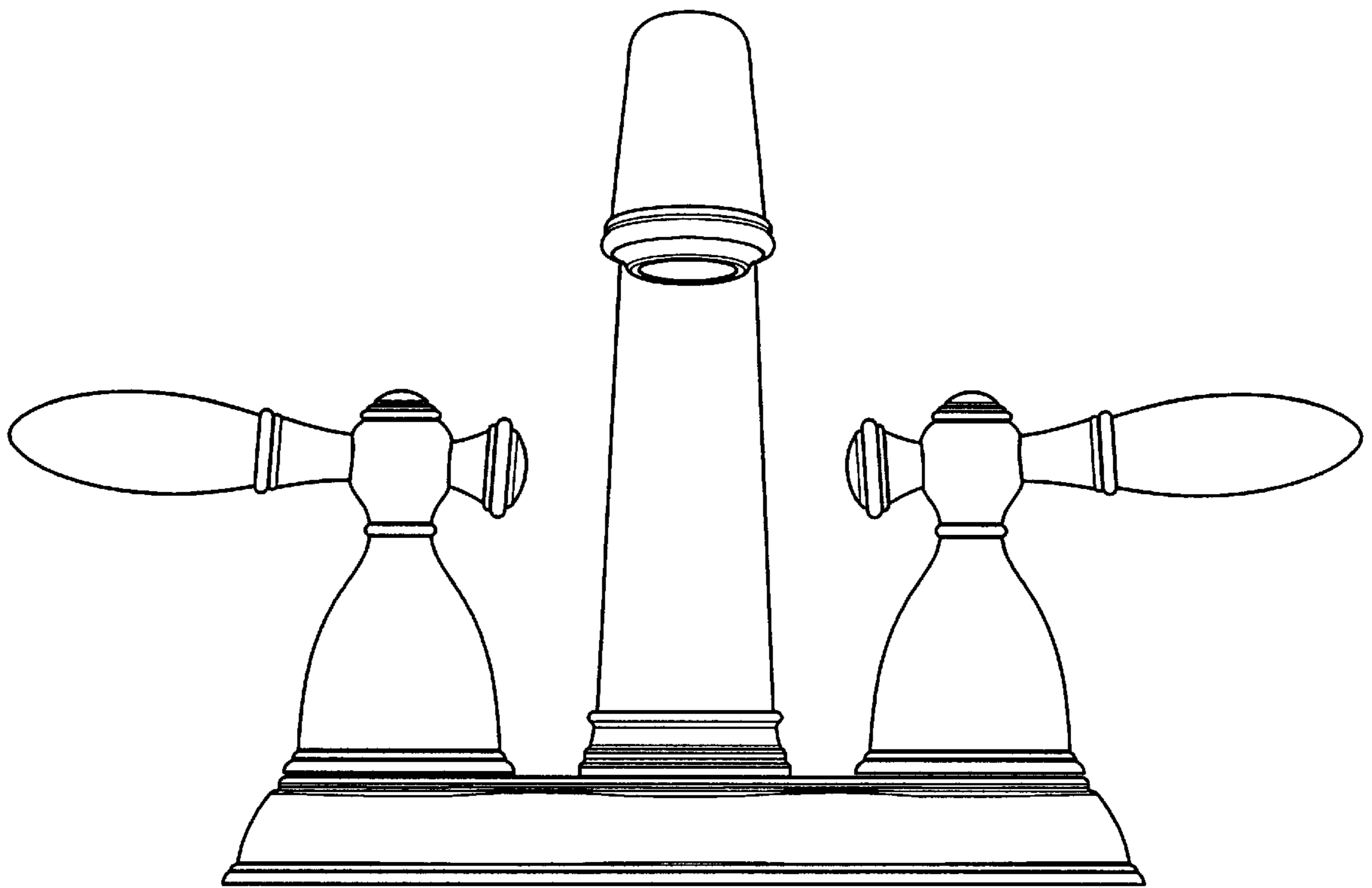


Figure - 3

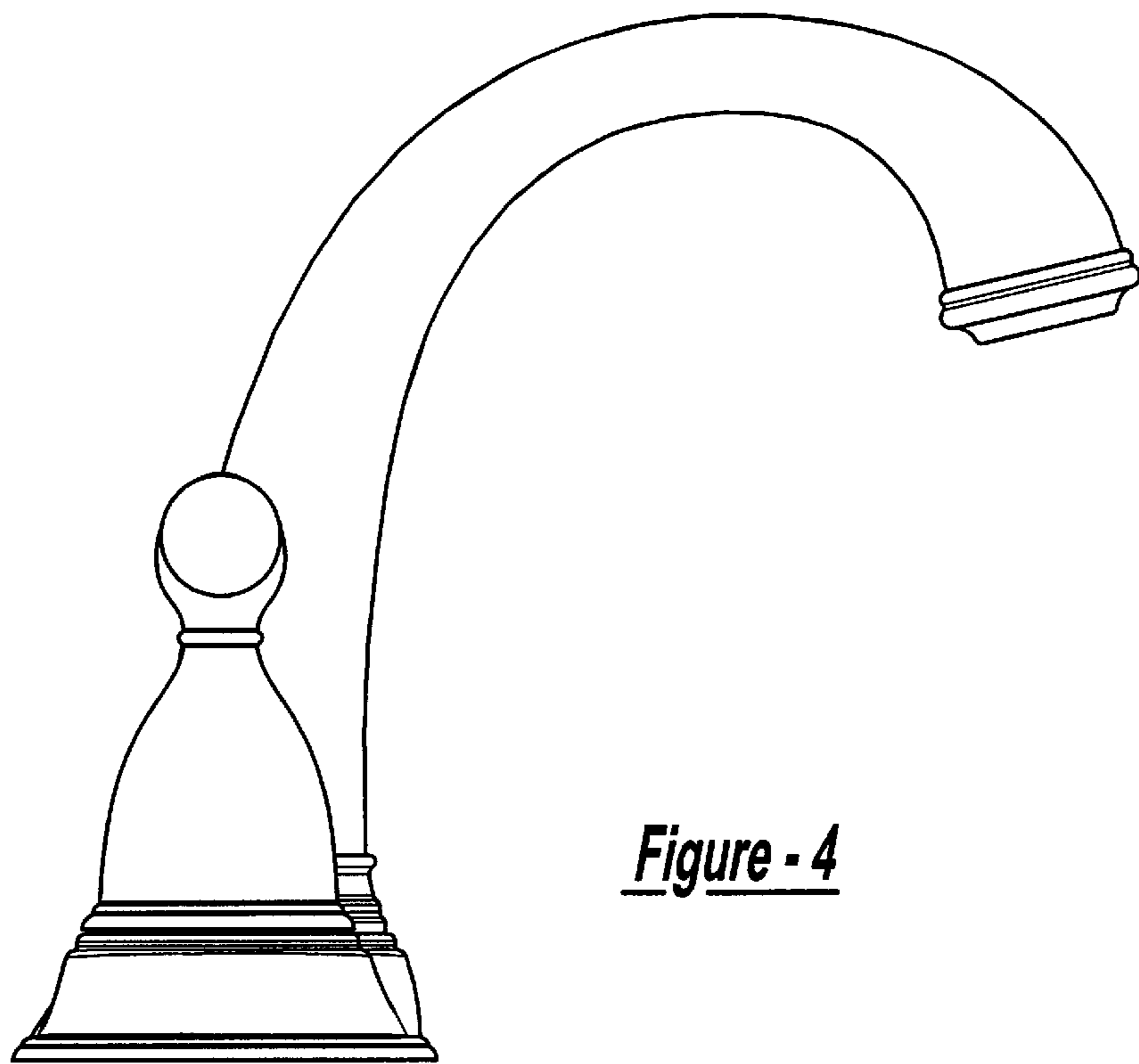


Figure - 4

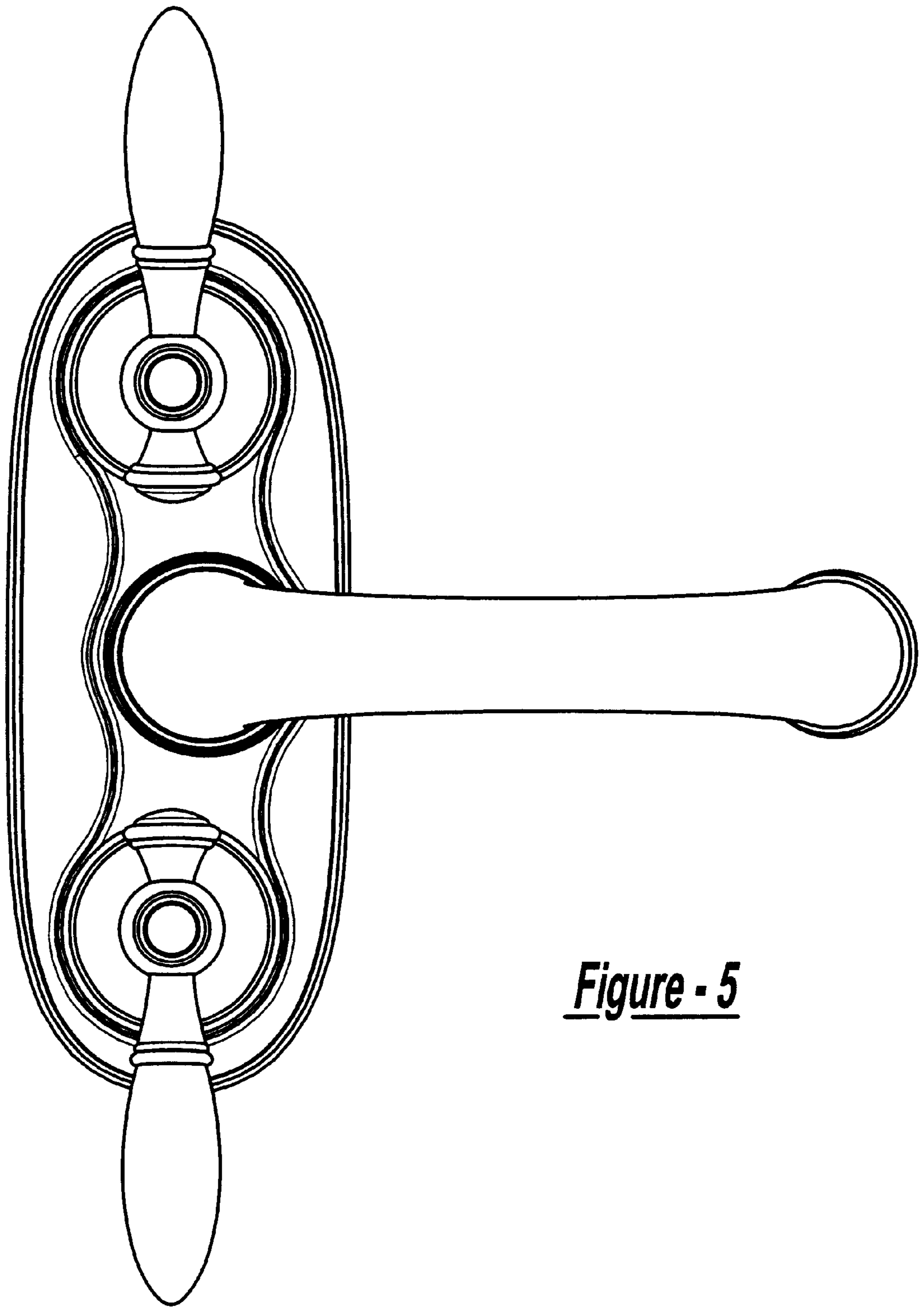


Figure - 5

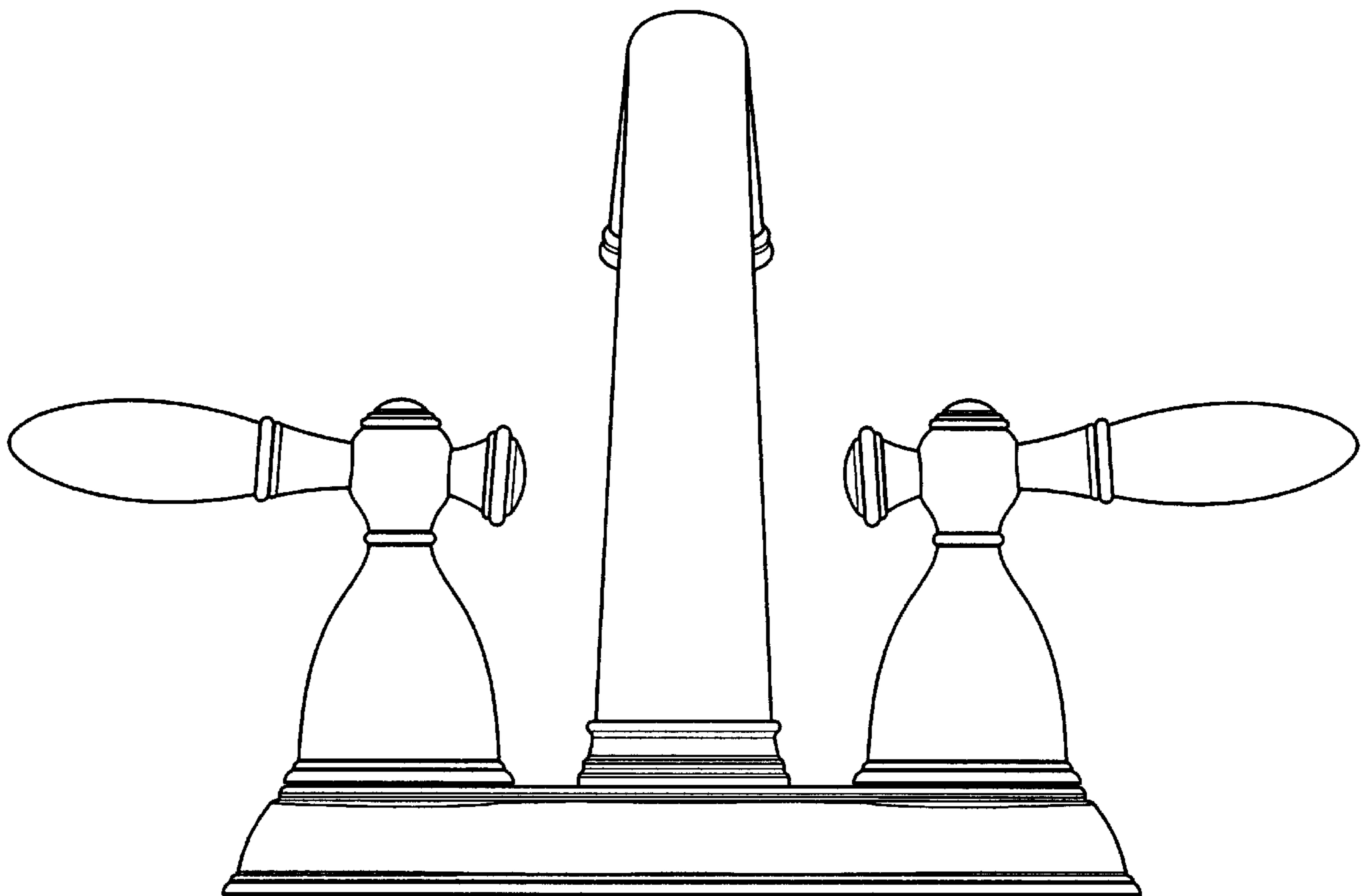


Figure - 6

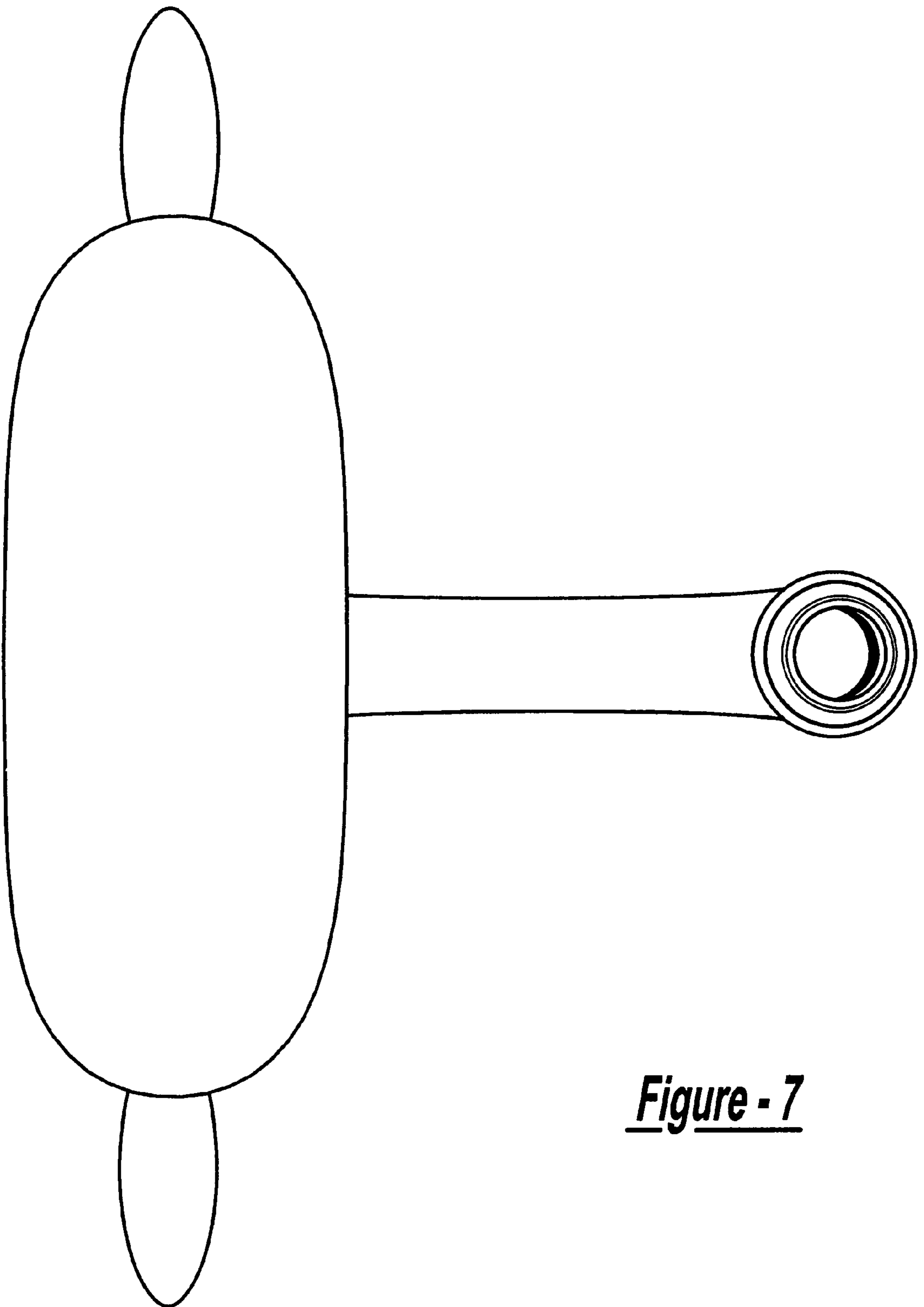


Figure - 7