



US00D448451B1

(12) **United States Design Patent**  
**Turnbull et al.**

(10) **Patent No.:** **US D448,451 S**

(45) **Date of Patent:** **\*\* Sep. 25, 2001**

(54) **TRIGGER SPRAYER**

(75) Inventors: **Clifford W. Turnbull; William N. Turnbull**, both of Auburn, WA (US)

(73) Assignee: **Trade Associates, Inc.**, Auburn, WA (US)

(\*\*) Term: **14 Years**

(21) Appl. No.: **29/132,359**

(22) Filed: **Nov. 6, 2000**

(51) **LOC (7) Cl.** ..... **23-01**

(52) **U.S. Cl.** ..... **D23/226**

(58) **Field of Search** ..... D23/213, 223,  
D23/226; 361/227, 228; 239/690, 691,  
525

(56) **References Cited**

**U.S. PATENT DOCUMENTS**

- D. 133,394 \* 8/1942 Sunberg et al. .... D23/226
- D. 305,057 \* 12/1989 Morgan ..... D23/226

- D. 314,421 \* 2/1991 Sato et al. .... D23/226
- D. 405,503 \* 2/1999 Endo ..... D23/226
- 4,993,642 \* 2/1991 Hufgard ..... 239/526
- 6,131,825 \* 10/2000 Hsu ..... 239/526

\* cited by examiner

*Primary Examiner*—Robin V. Taylor

(74) *Attorney, Agent, or Firm*—Dorsey & Whitney LLP

(57) **CLAIM**

The ornamental design for a trigger sprayer, as shown and described.

**DESCRIPTION**

FIG. 1 is a front isometric view of a trigger sprayer showing our new design.

FIG. 2 is a left side elevational view thereof.

FIG. 3 is a top plan view thereof.

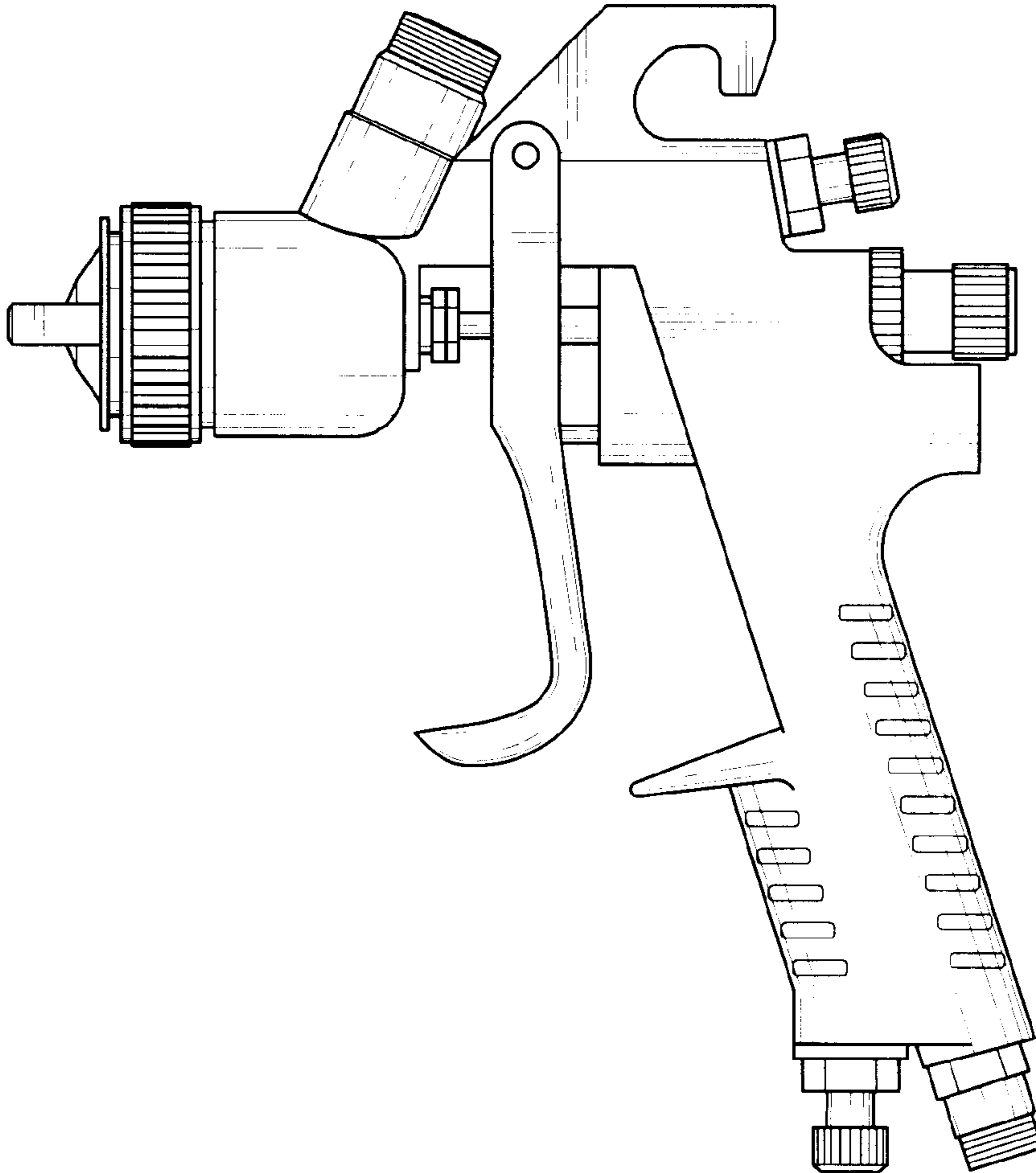
FIG. 4 is a front elevational view thereof.

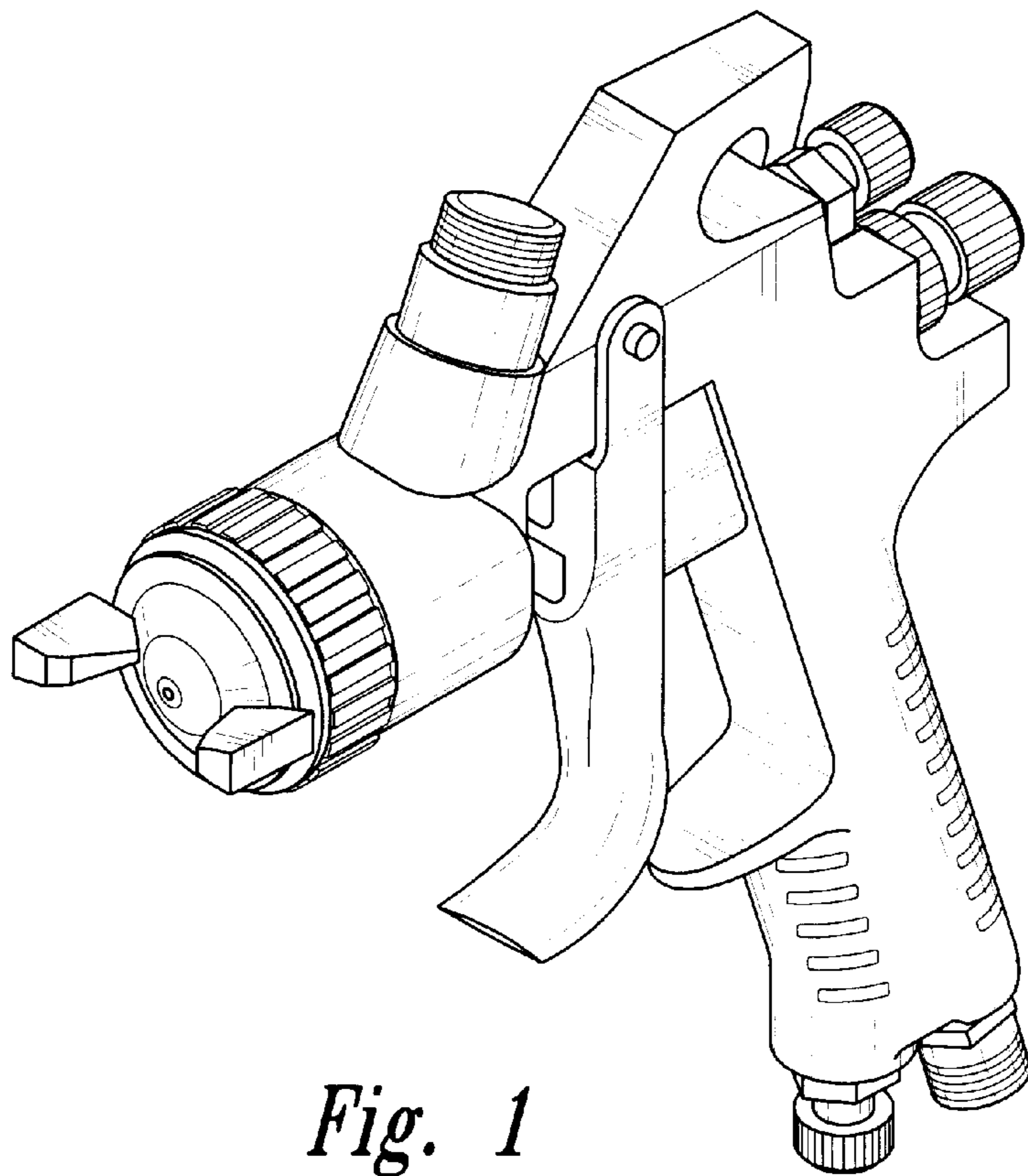
FIG. 5 is a bottom plan view thereof.

FIG. 6 is a right side elevational view thereof; and,

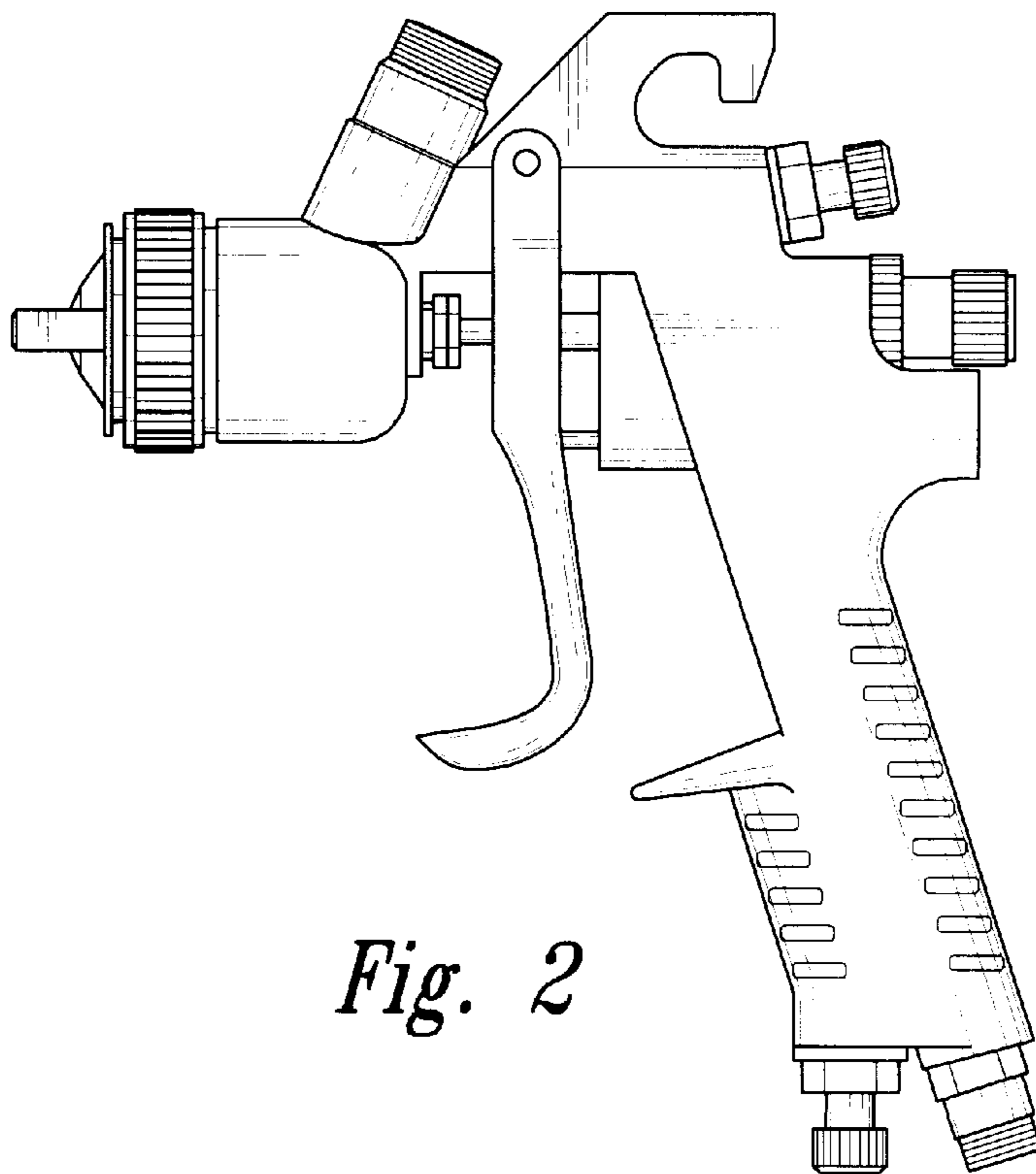
FIG. 7 is a back elevational view thereof.

**1 Claim, 2 Drawing Sheets**

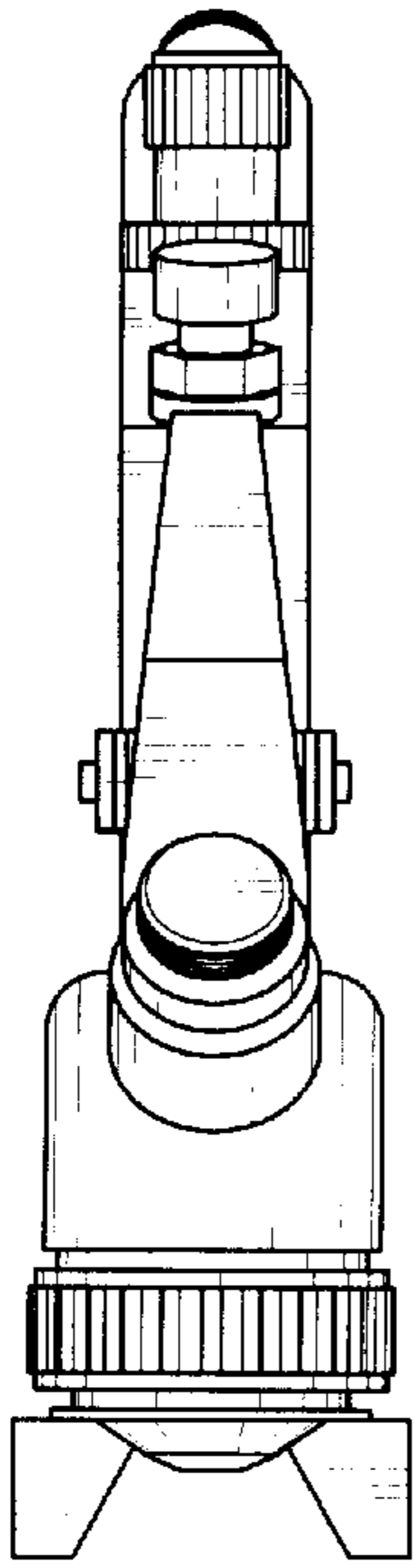




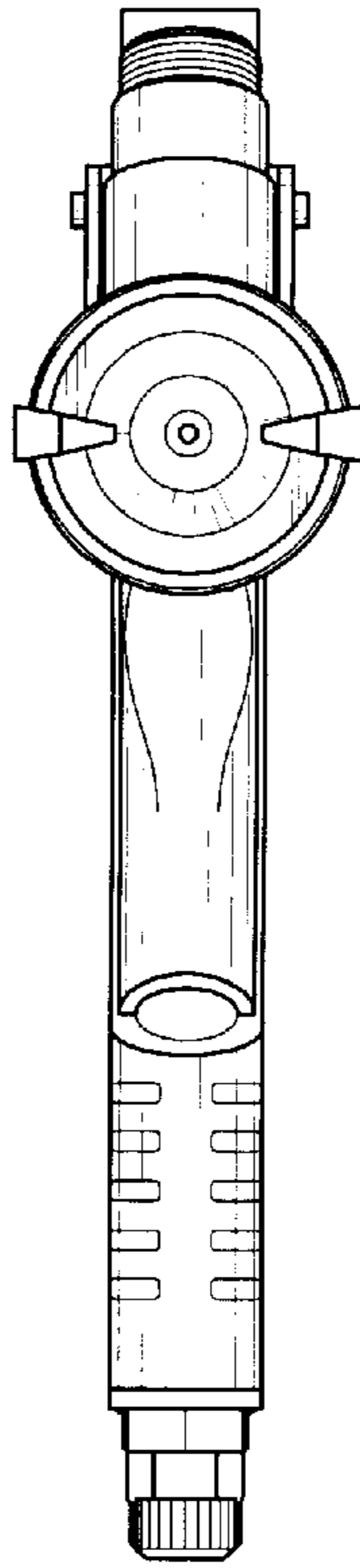
*Fig. 1*



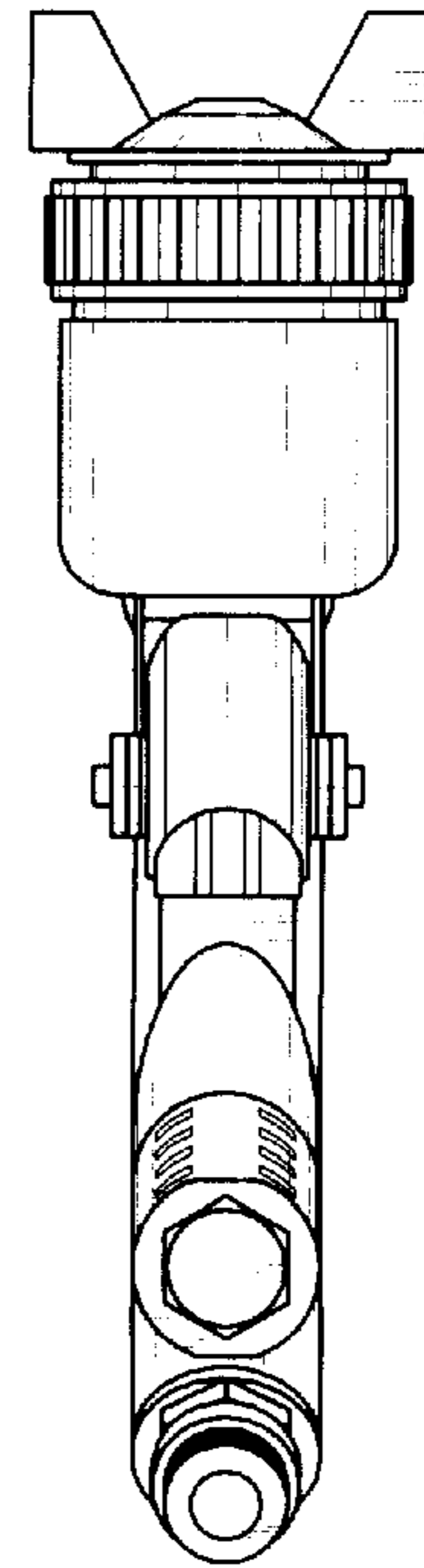
*Fig. 2*



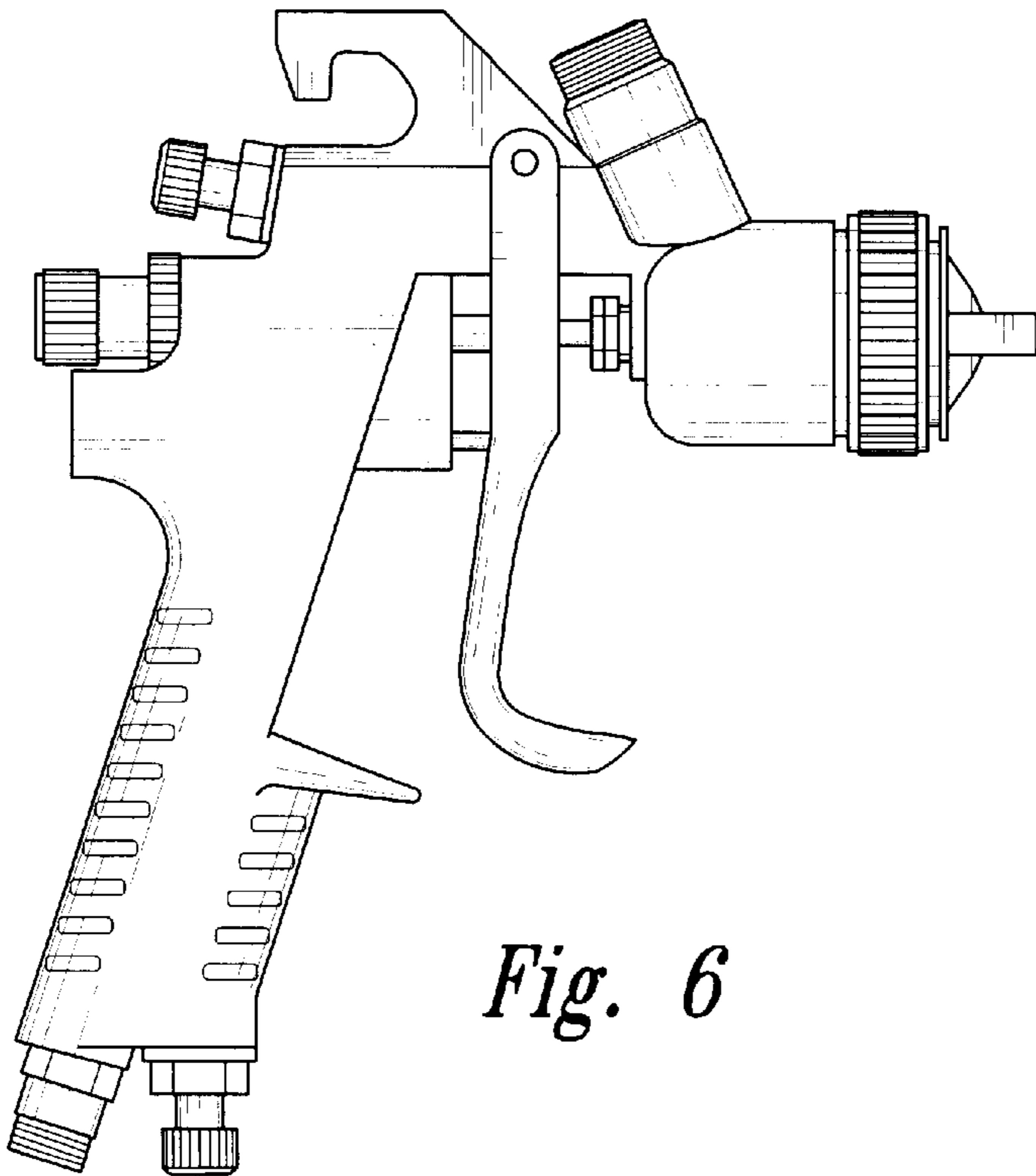
*Fig. 3*



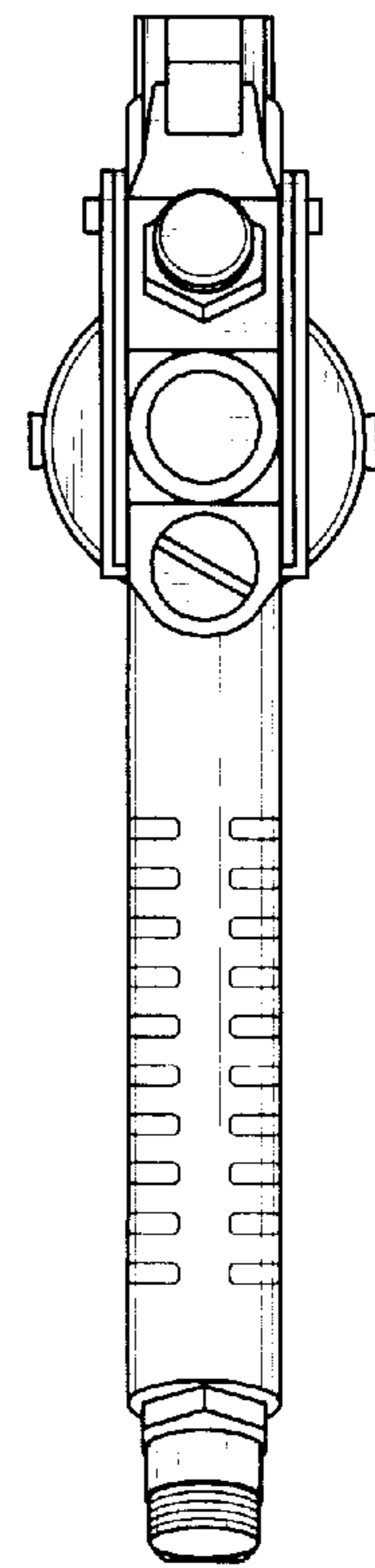
*Fig. 4*



*Fig. 5*



*Fig. 6*



*Fig. 7*