



US00D448445B1

(12) **United States Design Patent**
Sakurai et al.

(10) **Patent No.:** **US D448,445 S**

(45) **Date of Patent:** **** Sep. 25, 2001**

(54) **FISHING REEL**

(75) Inventors: **Tomoharu Sakurai; Hirokazu Hirayama**, both of Osaka (JP)

(73) Assignee: **Shimano Inc.**, Osaka (JP)

(**) Term: **14 Years**

(21) Appl. No.: **29/121,875**

(22) Filed: **Apr. 13, 2000**

(30) **Foreign Application Priority Data**

Nov. 24, 1999 (JP) 11-32462

(51) **LOC (7) Cl.** **22-05**

(52) **U.S. Cl.** **D22/140**

(58) **Field of Search** D22/140, 137, D22/138, 139, 141; 242/370, 223, 224, 234, 235-240, 311, 322, 283, 310, 312

(56) **References Cited**

U.S. PATENT DOCUMENTS

D. 348,303 * 6/1994 Kameda et al. D22/140
D. 404,792 * 1/1999 Oh D22/140

D. 421,087 * 2/2000 Kim et al. D22/140
6,032,893 * 3/2000 Sekimoto et al. 242/283
6,070,822 * 6/2000 Zwayer et al. 242/310
6,189,823 * 2/2001 Kobayashi et al. 242/312

* cited by examiner

Primary Examiner—Catherine R. Oliver

(74) *Attorney, Agent, or Firm*—Jordan and Hamburg LLP

(57) **CLAIM**

The ornamental design for a fishing reel, as shown and described.

DESCRIPTION

FIG. 1 is a front view of a fishing reel showing our new design;

FIG. 2 is a rear view thereof;

FIG. 3 is a left side view thereof;

FIG. 4 is a right side view thereof;

FIG. 5 is a top plan view thereof; and,

FIG. 6 is a bottom plan thereof.

The broken lines showing of the fishing reel in FIGS. 1 to 6 are for illustrative purposes only and forms no part of the claimed design.

1 Claim, 4 Drawing Sheets

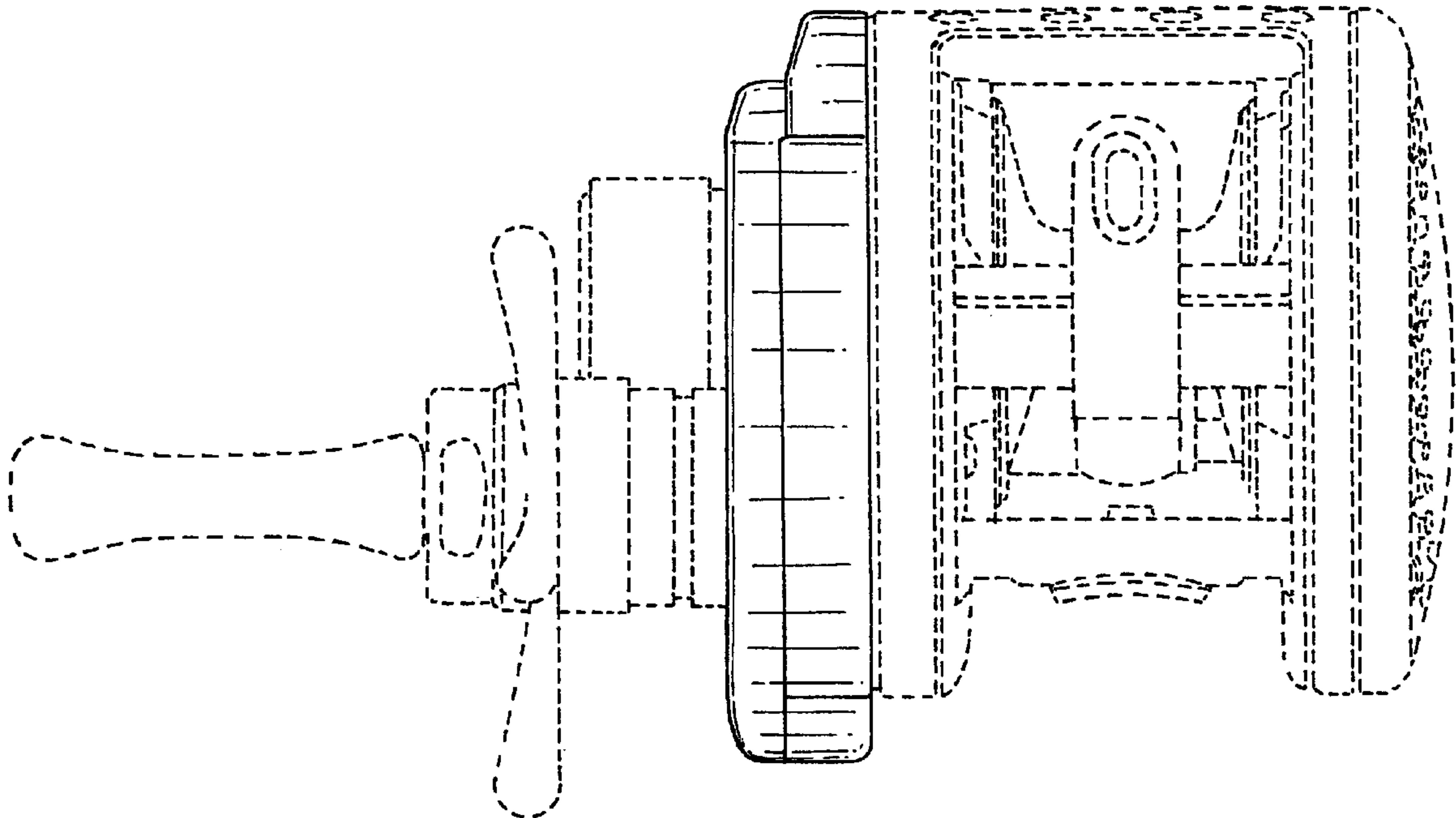


FIG. 1

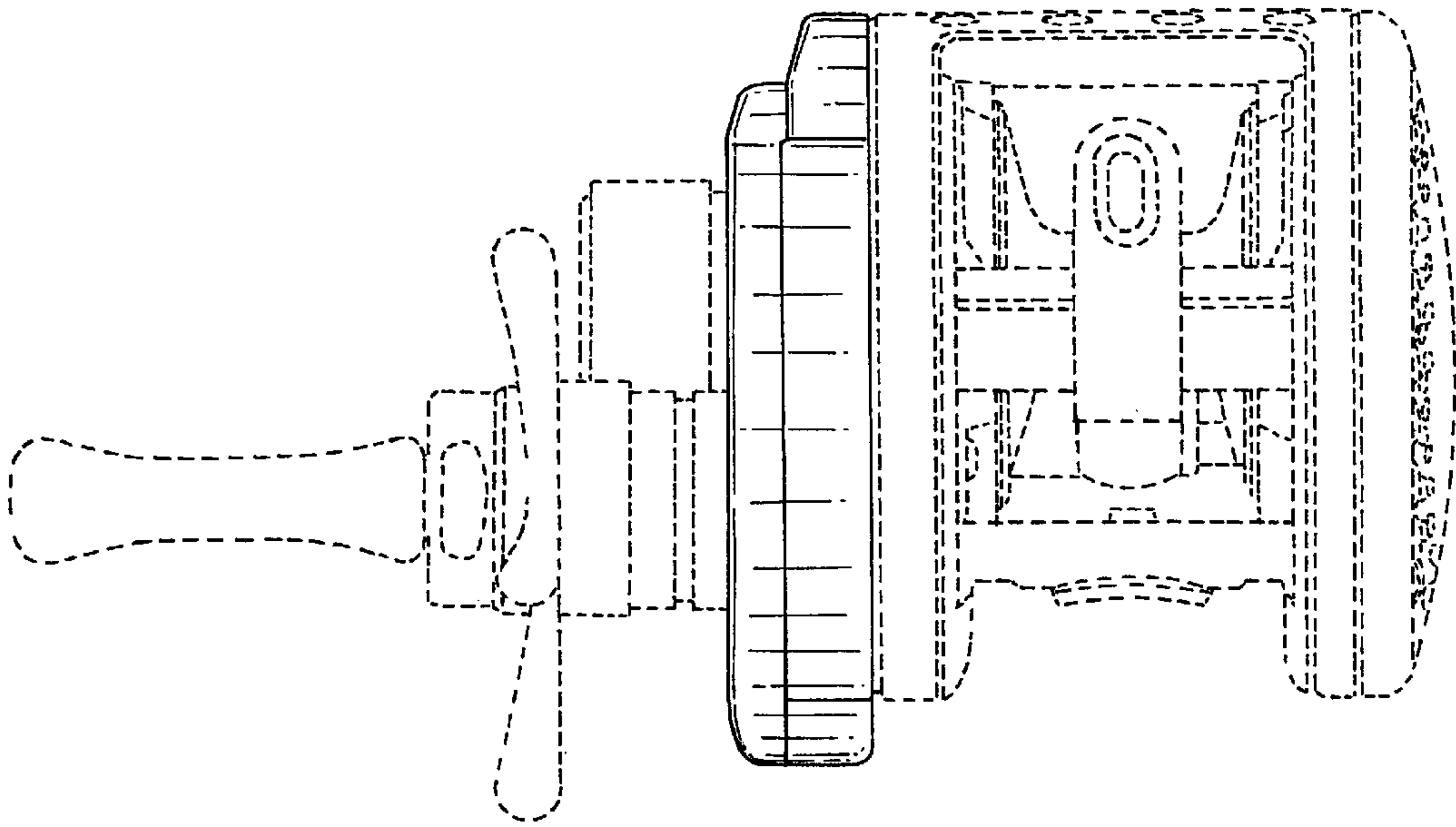


FIG. 2

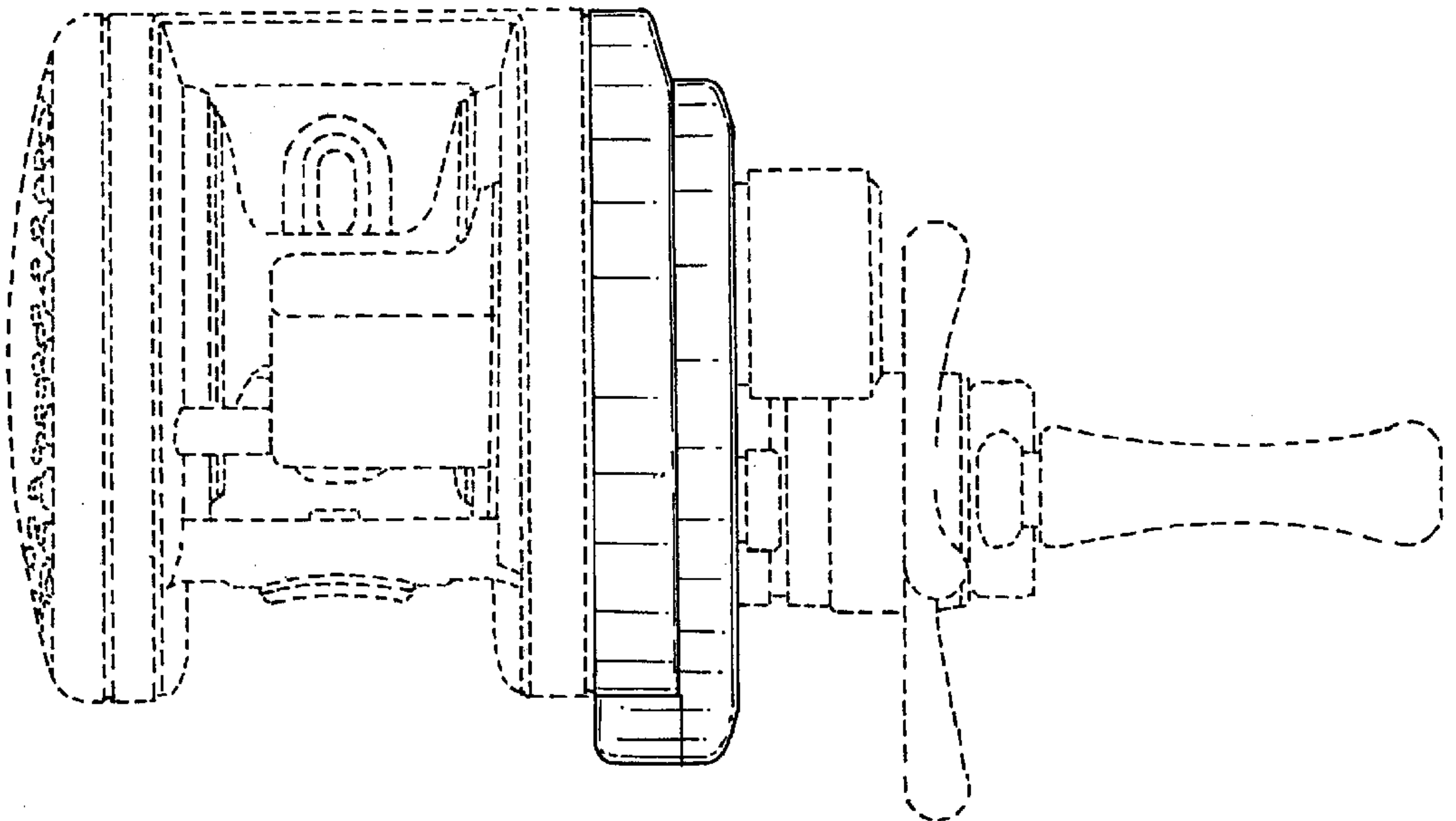


FIG. 3

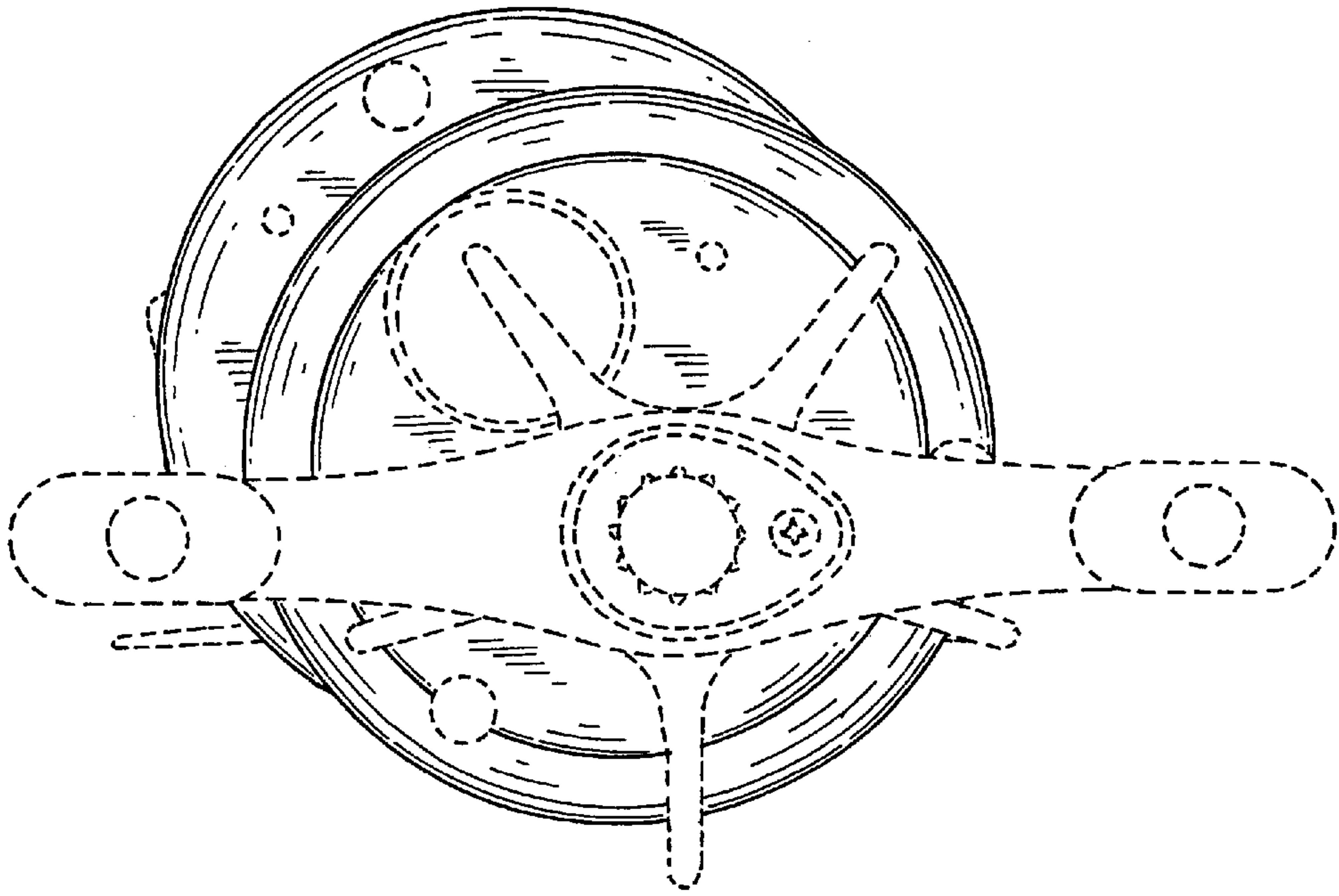


FIG. 4

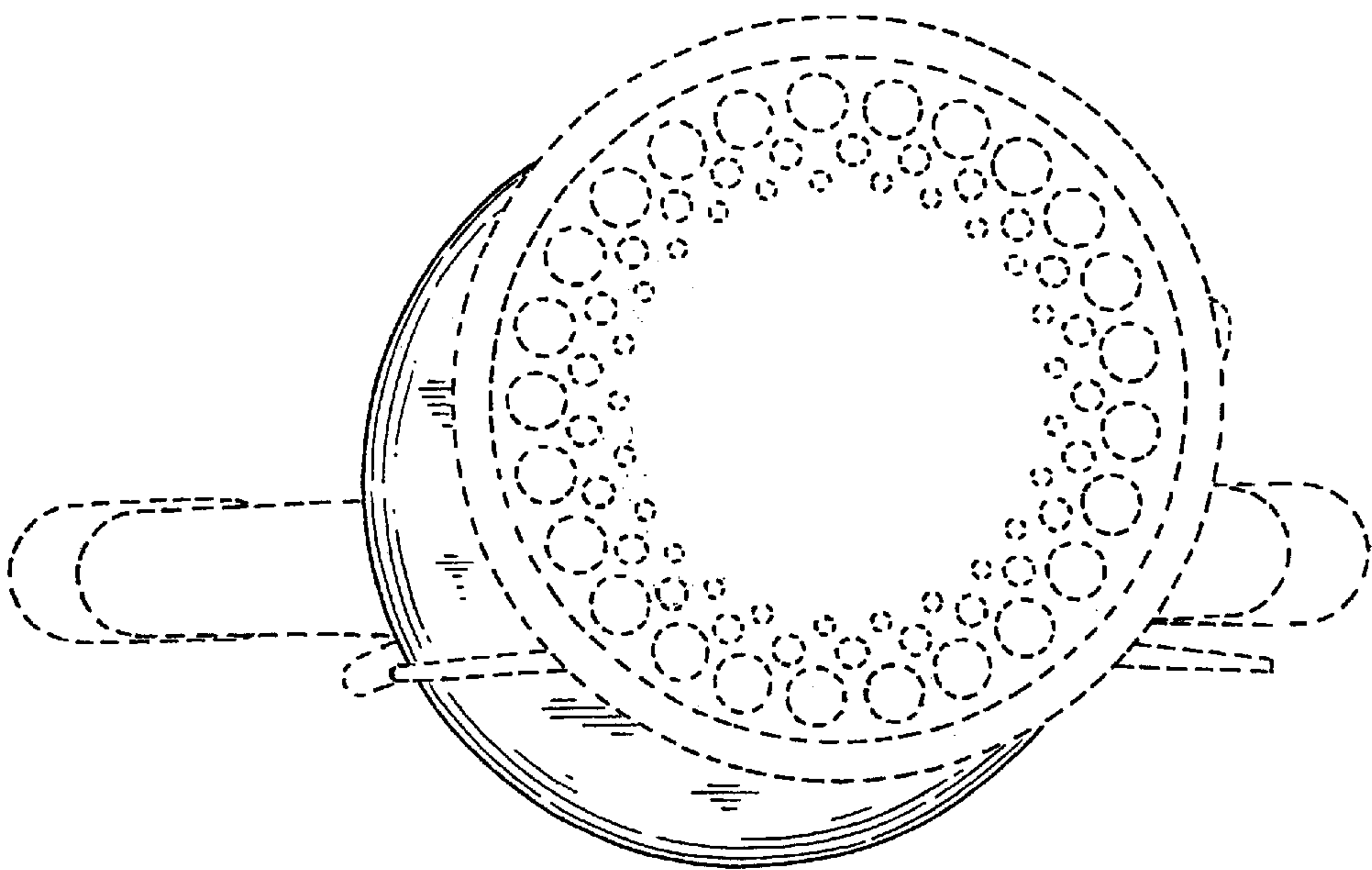


FIG. 5

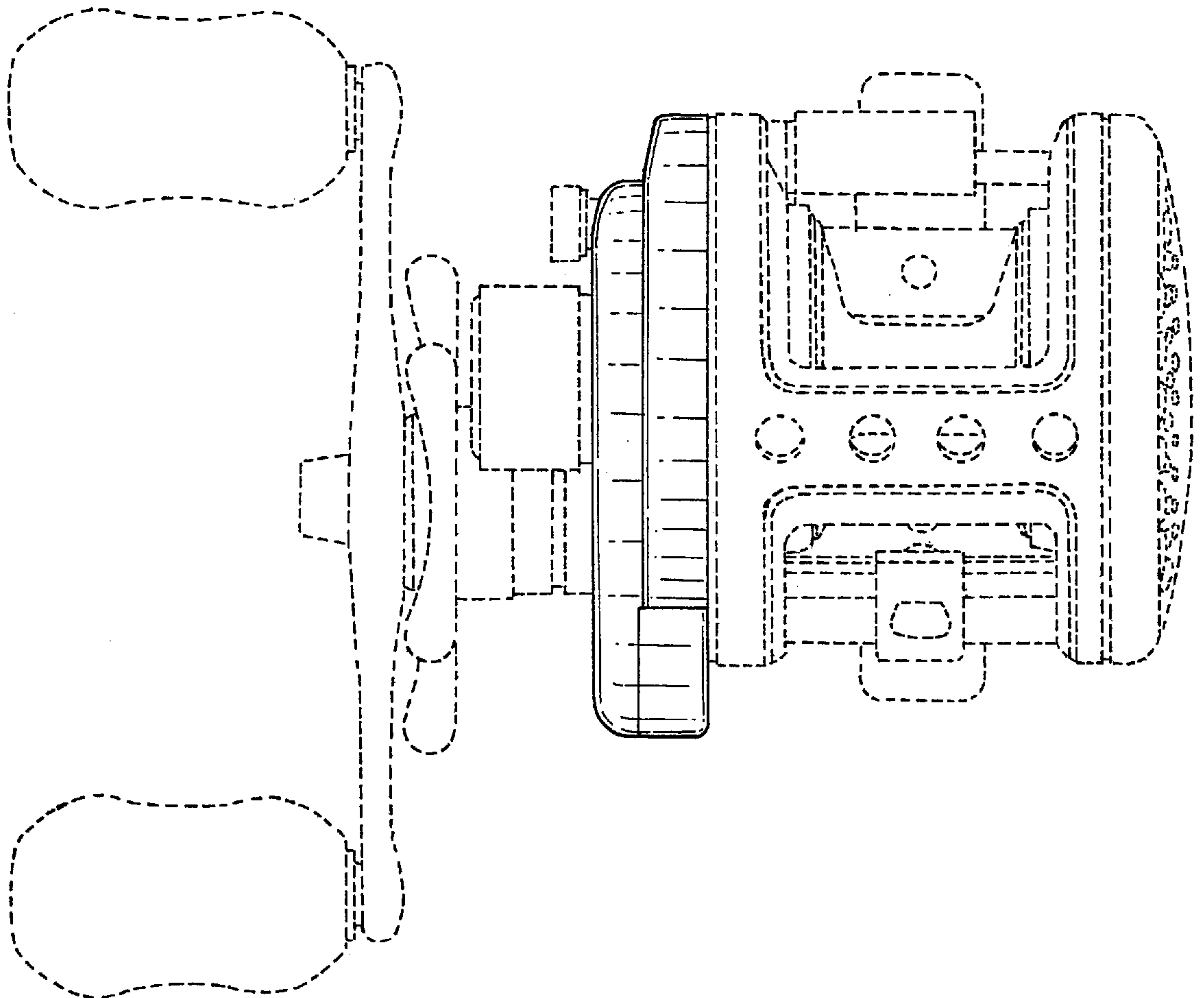


FIG. 6

