



US00D448444B1

(12) **United States Design Patent**
Kondo et al.

(10) **Patent No.:** **US D448,444 S**

(45) **Date of Patent:** **** Sep. 25, 2001**

(54) **SPOOL FOR A SPINNING FISHING REEL**

Macpeak & Seas, PLLC

(75) Inventors: **Takashi Kondo**, Musashino; **Yukio Ito**, Higashikurume; **Wataru Tsutsumi**, Higashikurume; **Shigeo Mimura**, Higashikurume, all of (JP)

(57) **CLAIM**

The ornamental design for a spool for a spinning fishing reel, as shown and described.

(73) Assignee: **Daiwa Seiko, Inc.**, Tokyo (JP)

DESCRIPTION

(**) Term: **14 Years**

(21) Appl. No.: **29/104,055**

FIG. 1 is a perspective view of the top, front and right side of a spool for a spinning fishing reel according to a first embodiment showing our new design;

(22) Filed: **Apr. 27, 1999**

FIG. 2 is a perspective view of the bottom, rear and left side thereof;

(51) **LOC (7) Cl.** **22-05**

FIG. 3 is a front elevational view thereof, the rear elevational view, the top plan view and the bottom plan view being identical thereto;

(52) **U.S. Cl.** **D22/137**

FIG. 4 is a right side elevational view thereof;

(58) **Field of Search** D22/137, 138, D22/140, 141; 242/118.3, 118.4, 311, 322, 224, 323

FIG. 5 is a left side elevational view thereof;

FIG. 6 is a perspective view of the top, front and right side of a spool for a spinning fishing reel according to a second embodiment thereof;

(56) **References Cited**

U.S. PATENT DOCUMENTS

D. 369,847	5/1996	Kuntze	D22/137
D. 383,521	9/1997	Kuntze	D22/137
D. 393,689	4/1998	Kaneko et al.	D22/137
D. 404,461	1/1999	Kaneko et al.	.	
D. 415,550 *	10/1999	Yamaguchi	D22/137
D. 415,815 *	10/1999	Kaneko et al.	D22/137
D. 415,816 *	10/1999	Yamaguchi	D22/137
D. 421,479 *	3/2000	Yamaguchi	D22/137
D. 428,106 *	7/2000	Yamaguchi	D22/137

FIG. 7 is a perspective view of the bottom, rear and left side plan view thereof;

FIG. 8 is a front elevational view, the rear elevational view being identical thereto;

FIG. 9 is a right side elevational view thereof;

FIG. 10 is a top plan view thereof, the bottom plan view being identical thereto;

FIG. 11 is a left side elevational view thereof;

FIG. 12 is a perspective view of the top, front and right side of a spool for a spinning fishing reel according to a third embodiment thereof;

FOREIGN PATENT DOCUMENTS

956754	6/1996	(JP)	.
983610	7/1997	(JP)	.
1007824	4/1998	(JP)	.

FIG. 13 is an elevational view of the bottom, rear and left side thereof;

FIG. 14 is a top plan view thereof;

FIG. 15 is a right side elevational view thereof;

FIG. 16 is a front elevational view thereof;

FIG. 17 is a left side elevational view thereof;

FIG. 18 is a rear elevational view thereof; and,

FIG. 19 is a bottom plan view thereof.

* cited by examiner

Primary Examiner—Louis S. Zarfes

Assistant Examiner—Catherine R. Oliver

(74) *Attorney, Agent, or Firm*—Sughrue, Mion, Zinn,

1 Claim, 7 Drawing Sheets

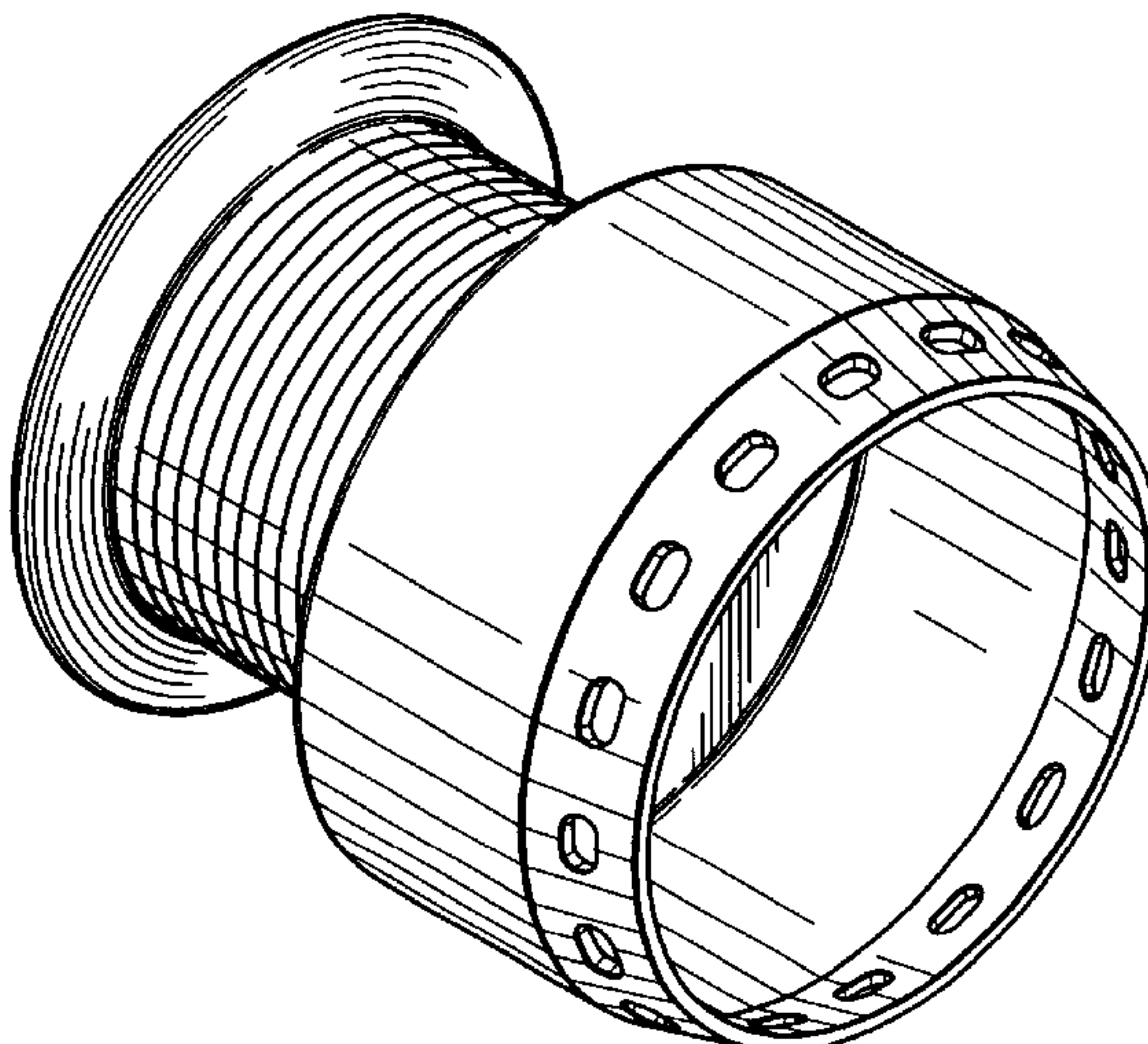


FIG. 1

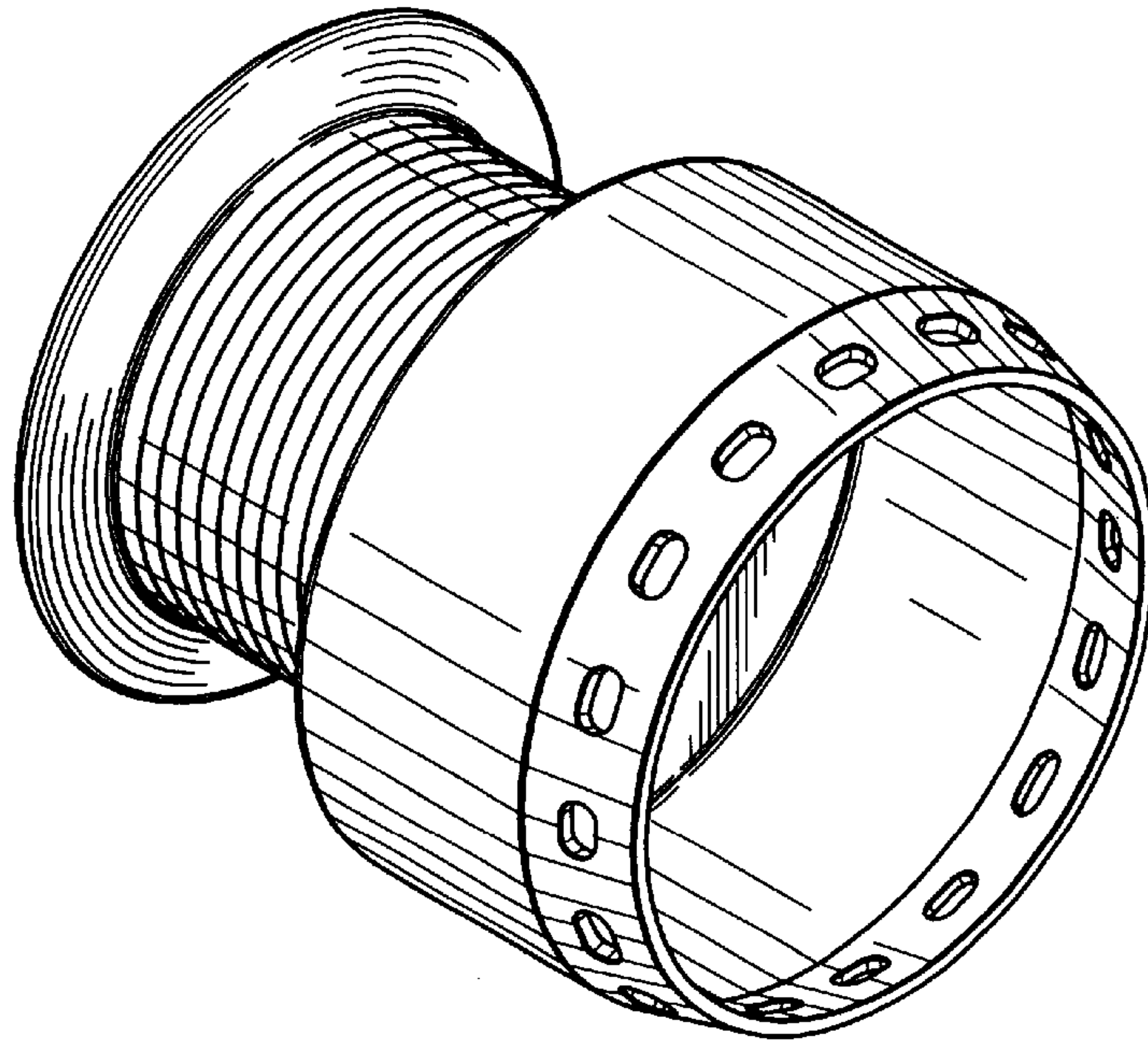


FIG. 2

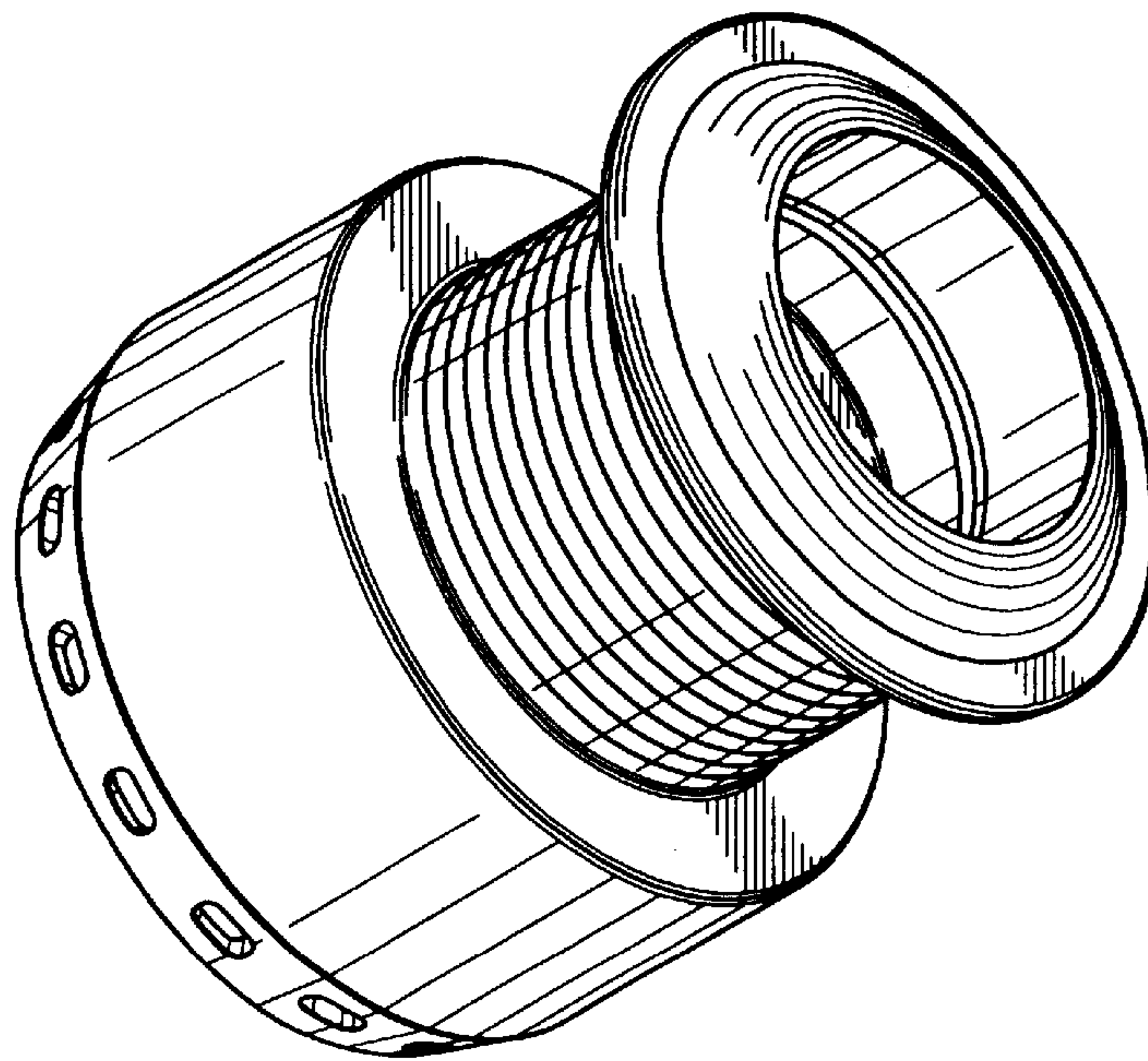


FIG. 3

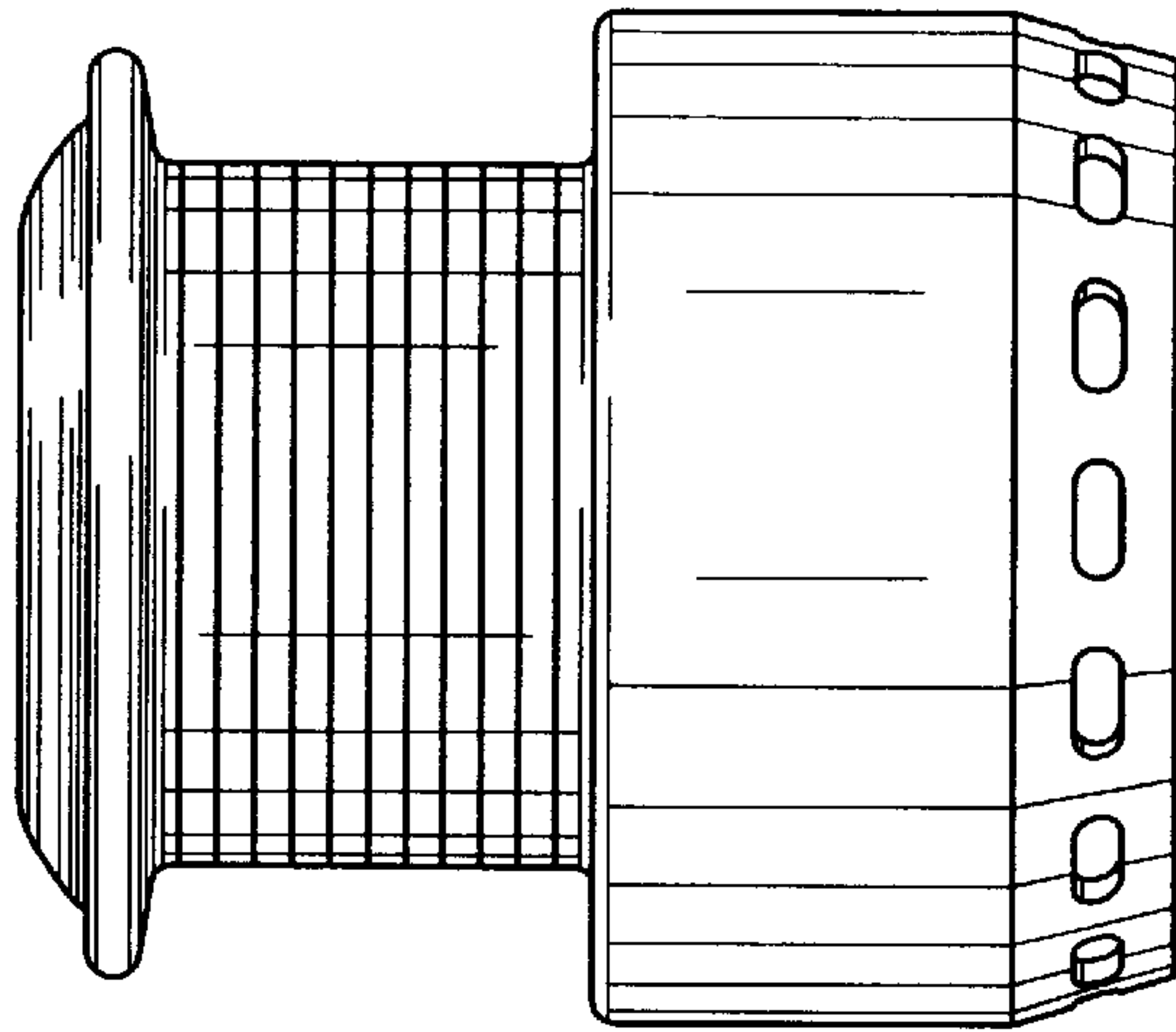


FIG. 4

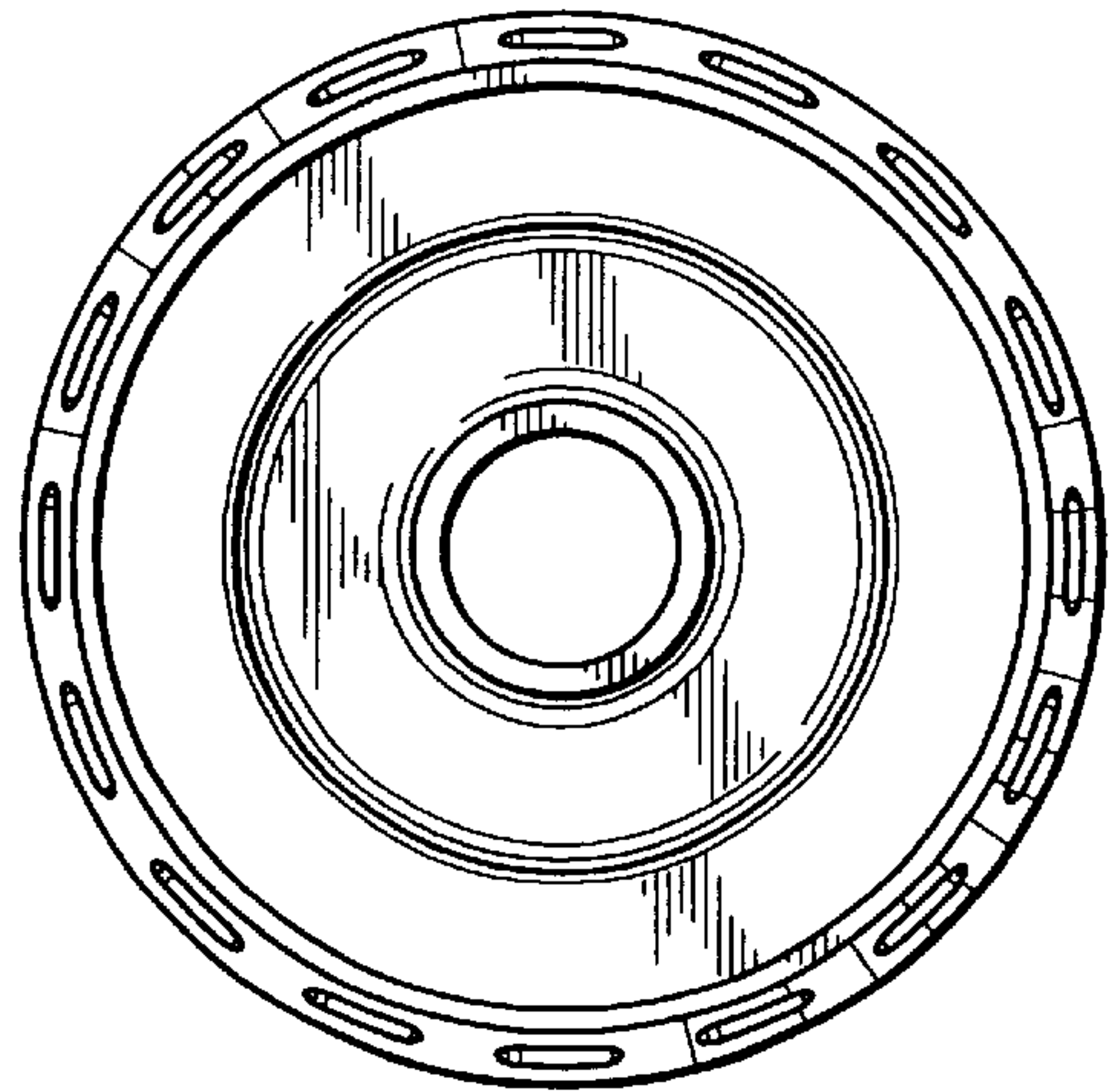


FIG. 5

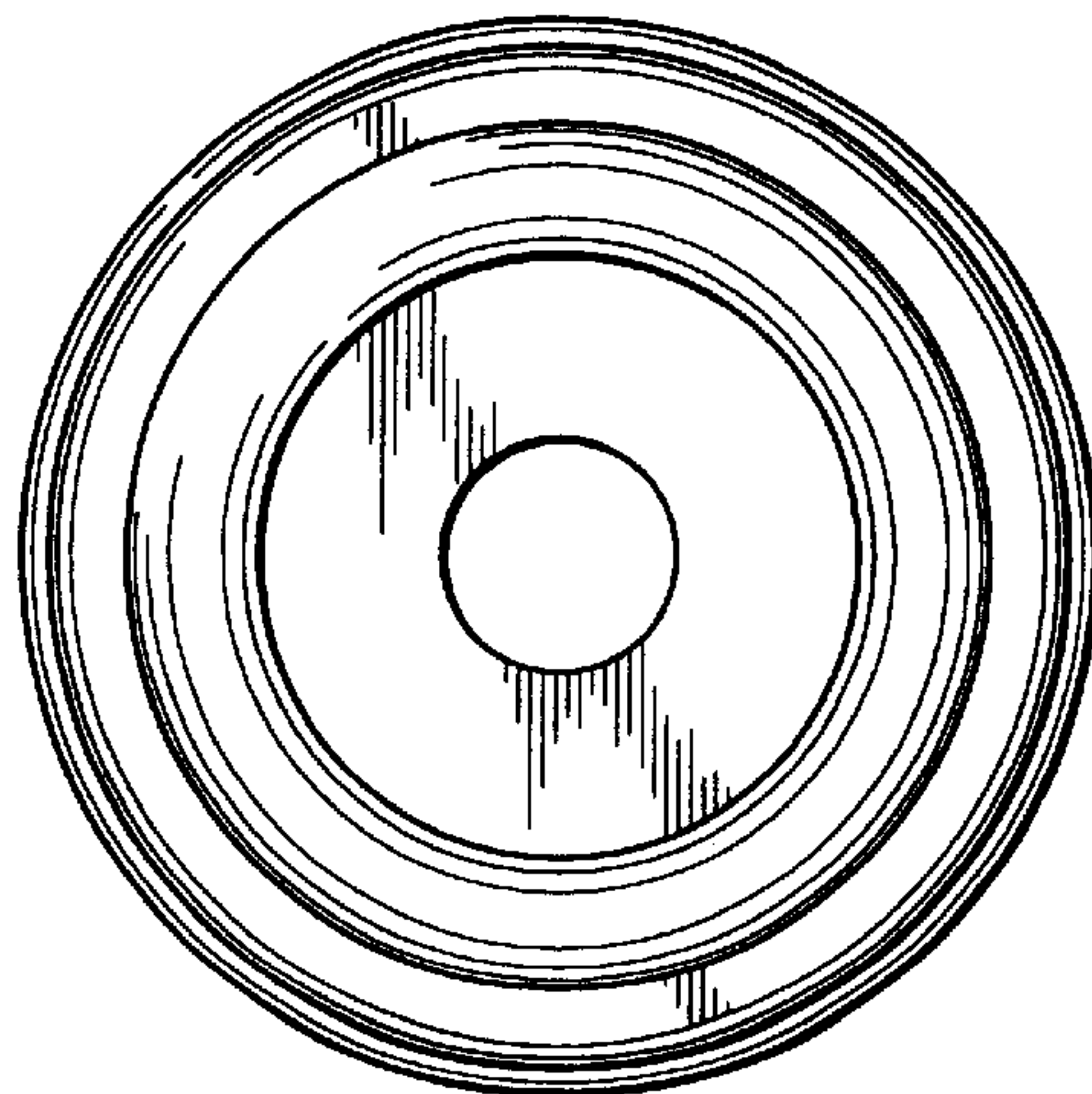


FIG. 6

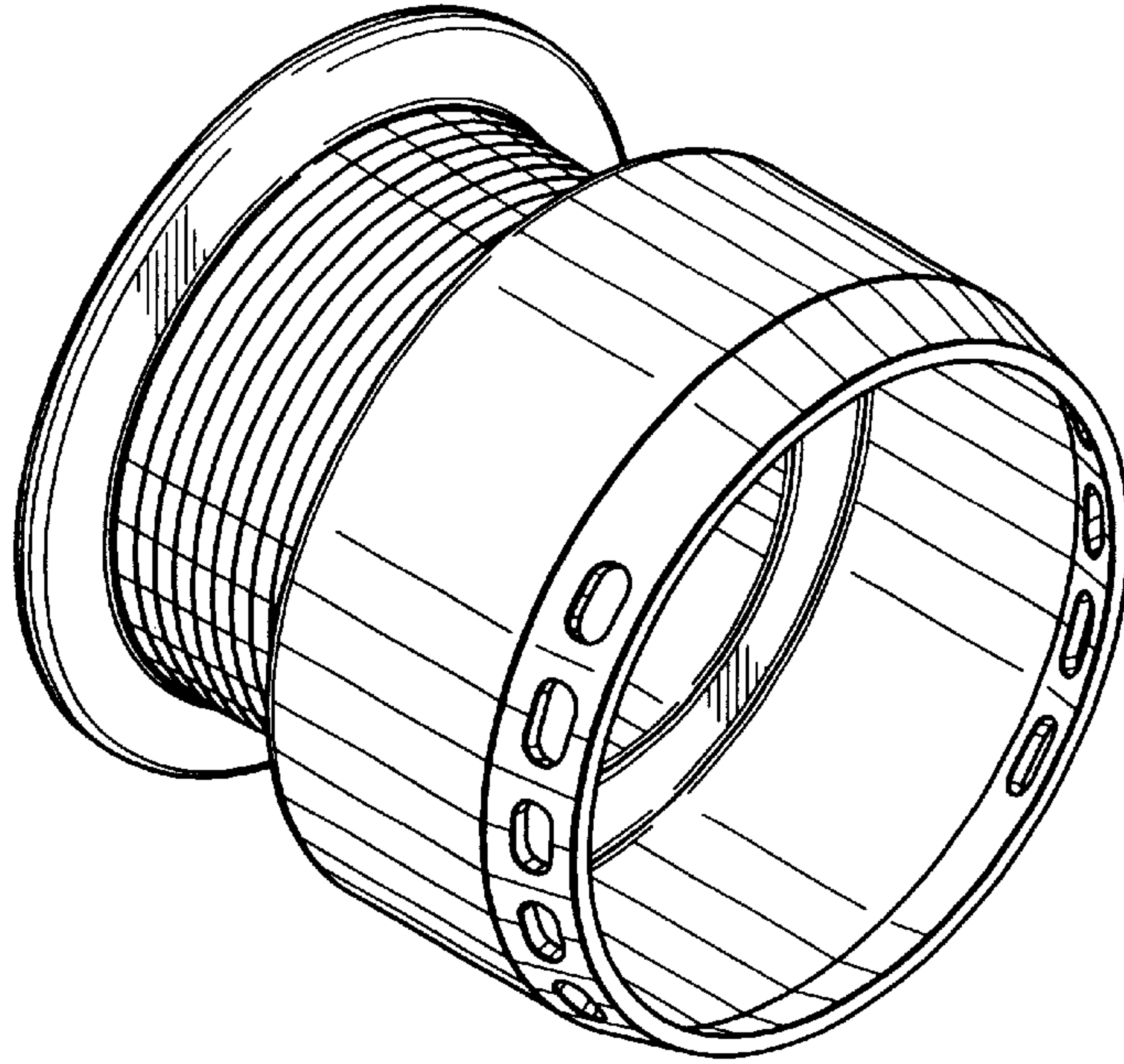


FIG. 7

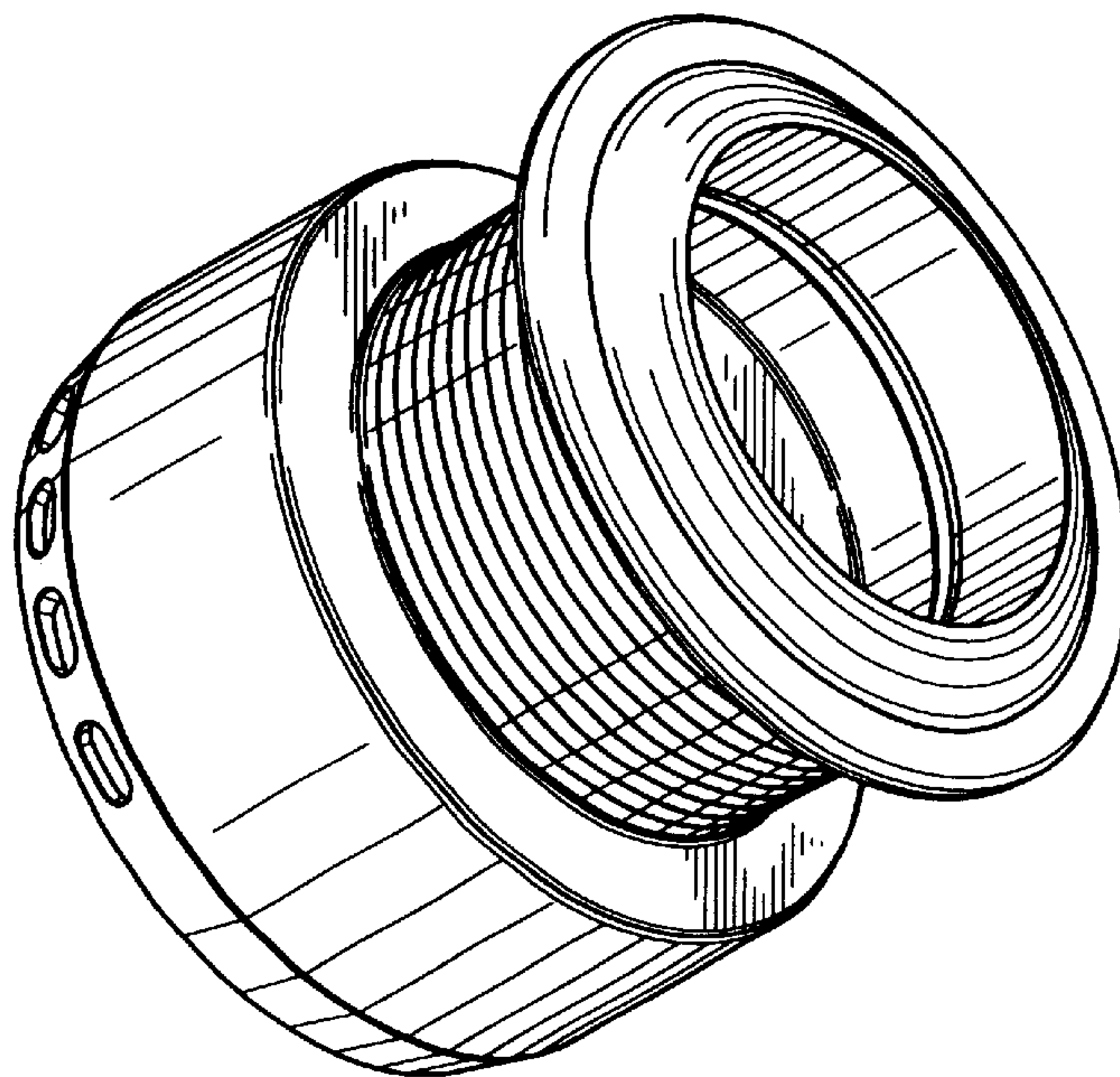


FIG. 8

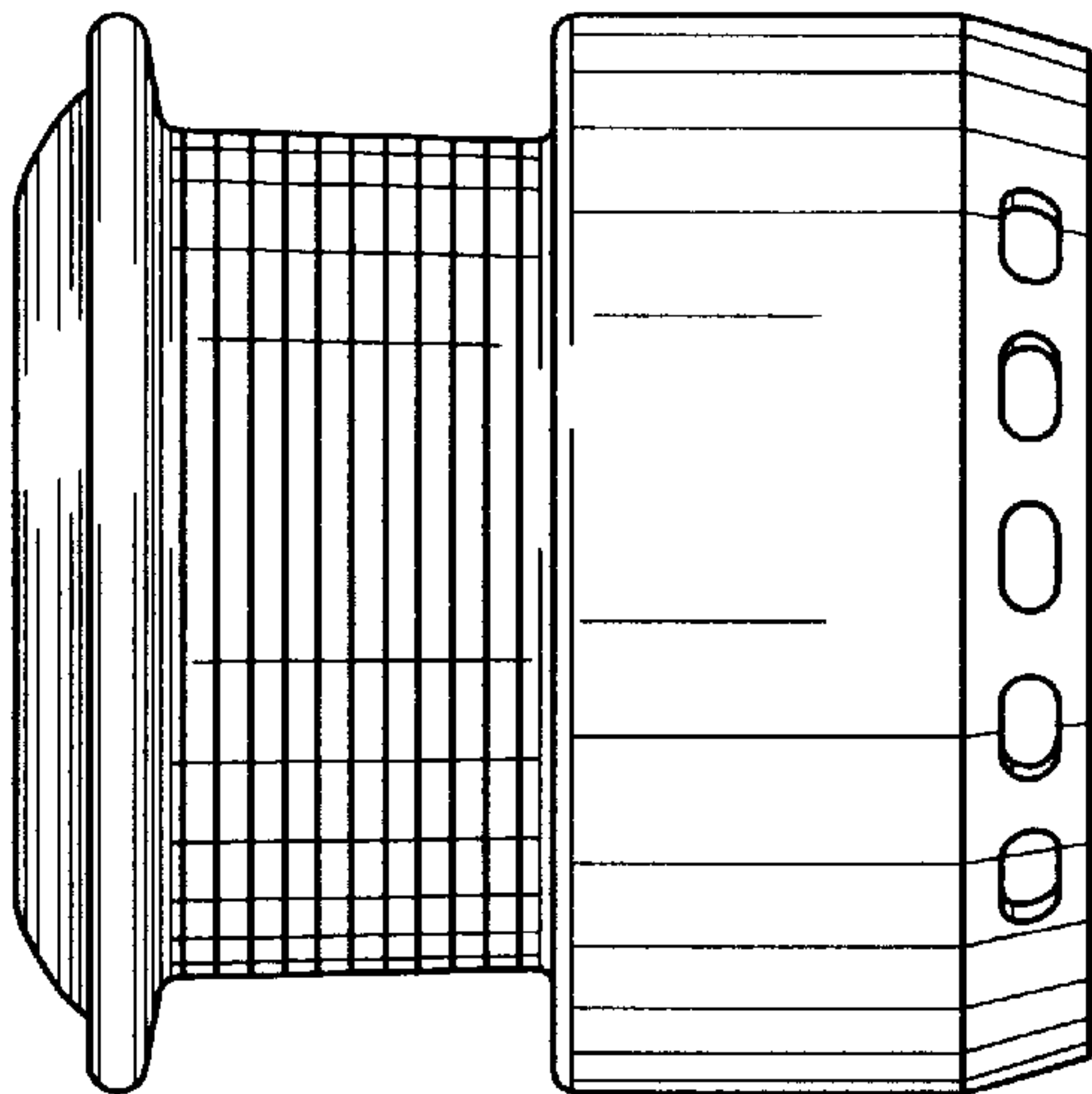


FIG. 9

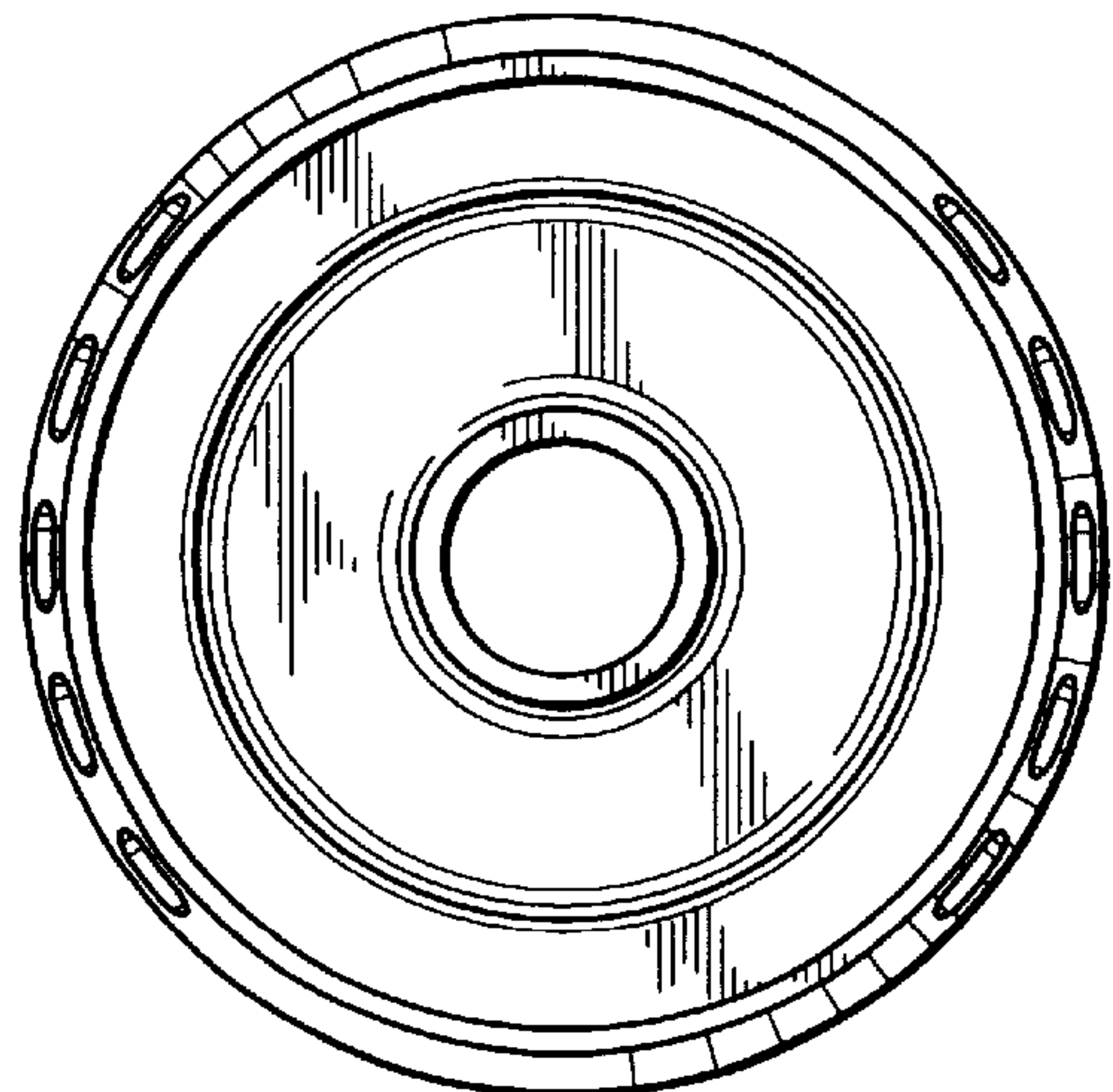


FIG. 10

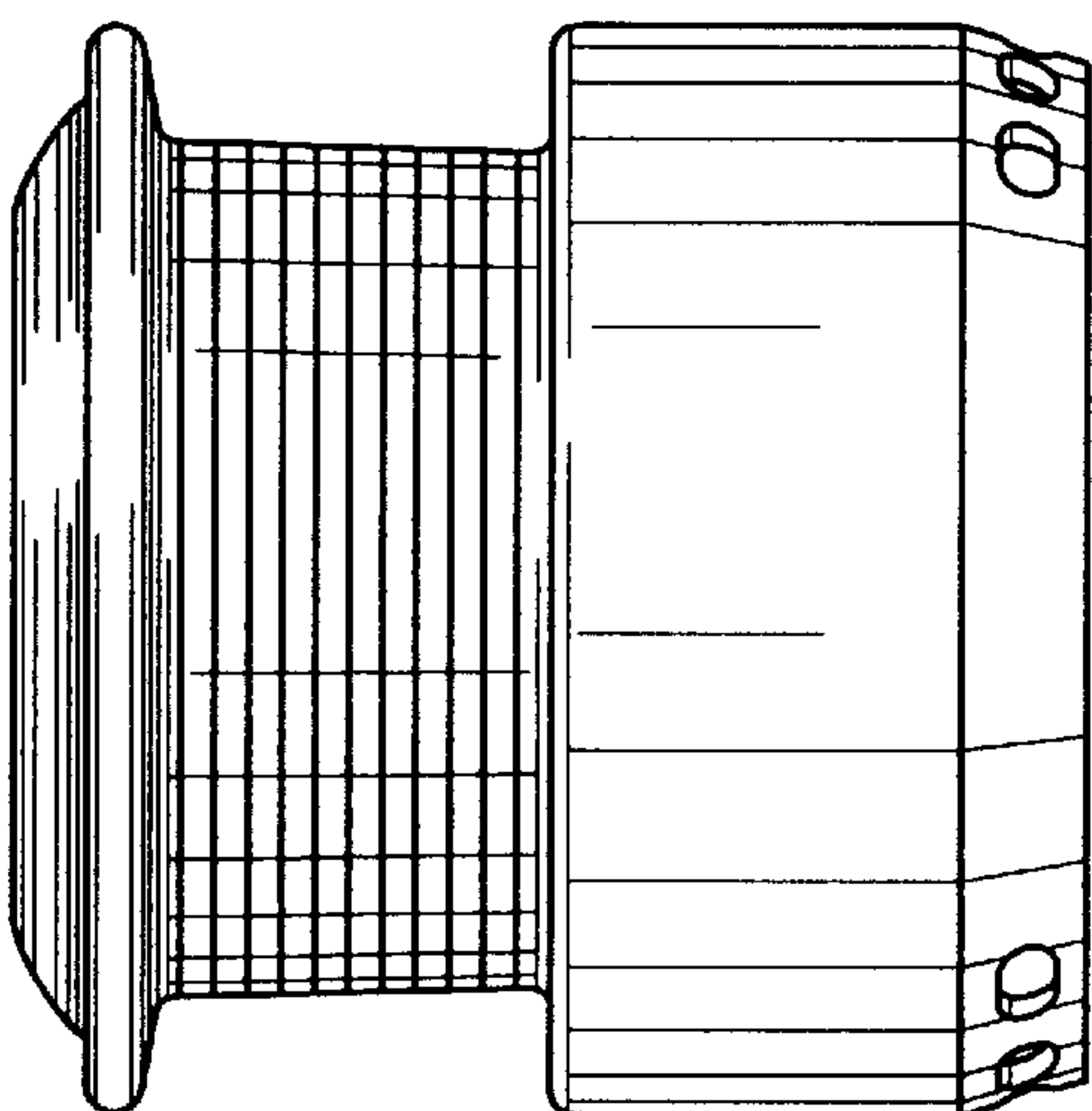


FIG. 11

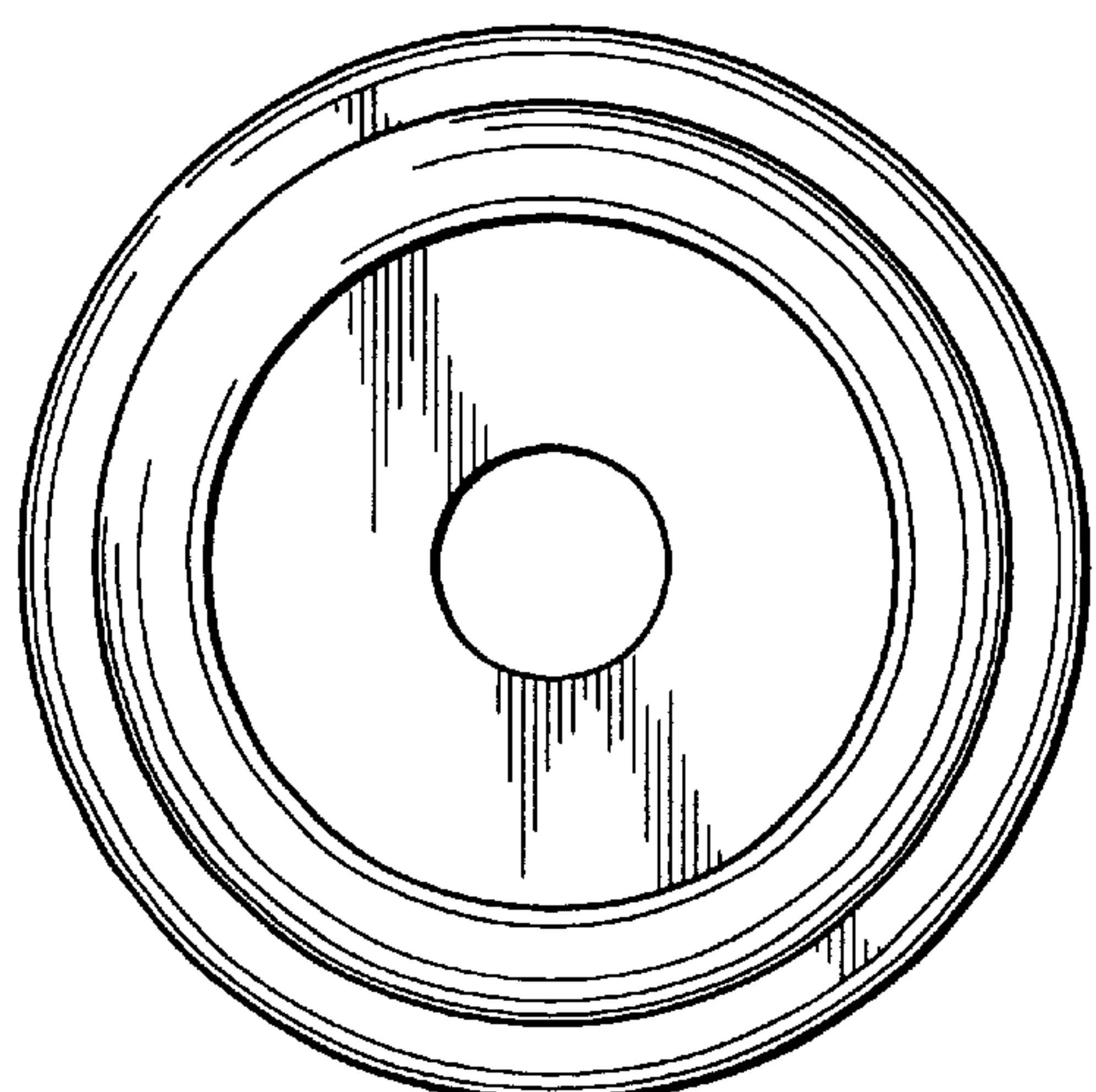


FIG. 12

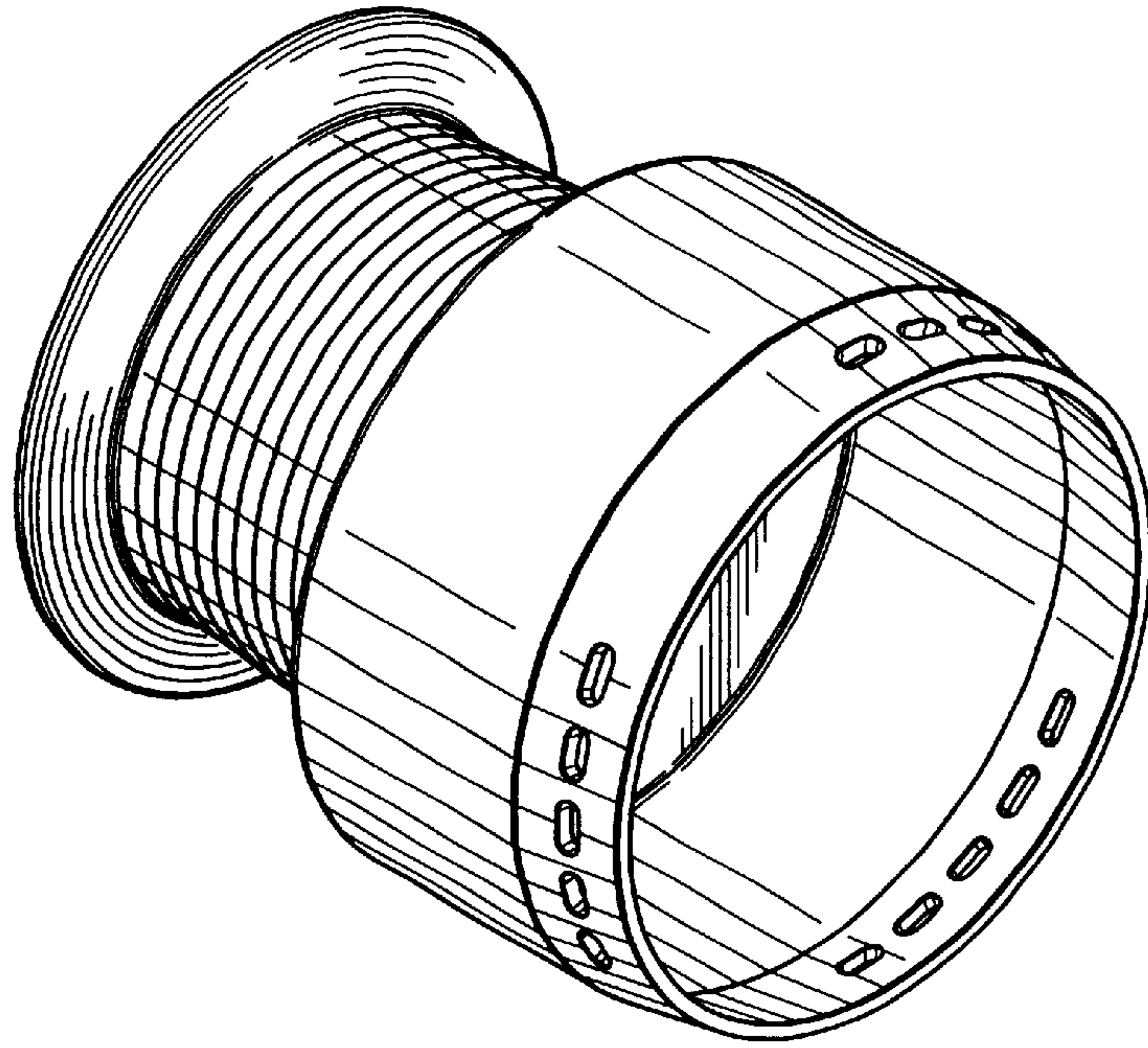


FIG. 13

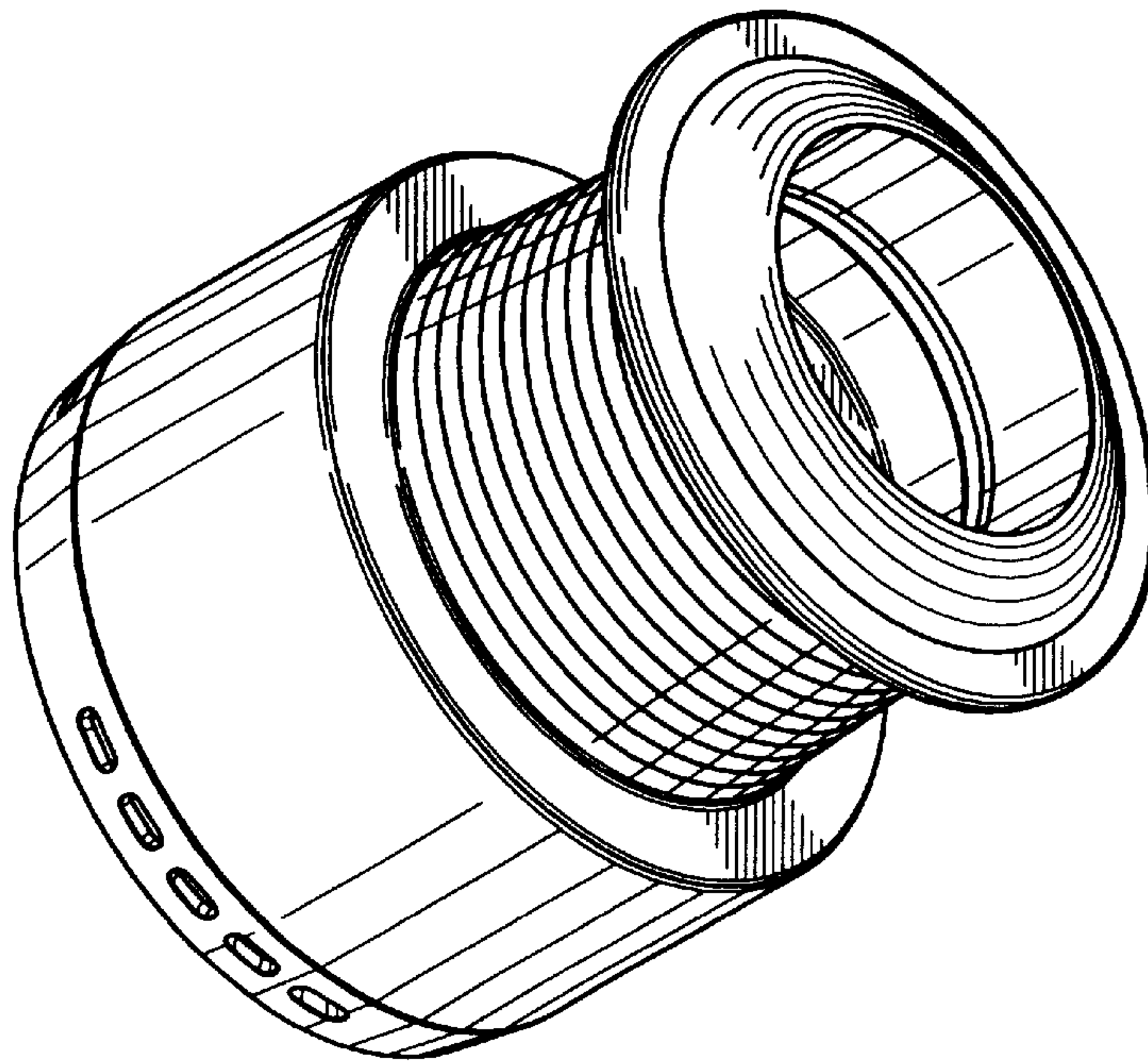


FIG. 14

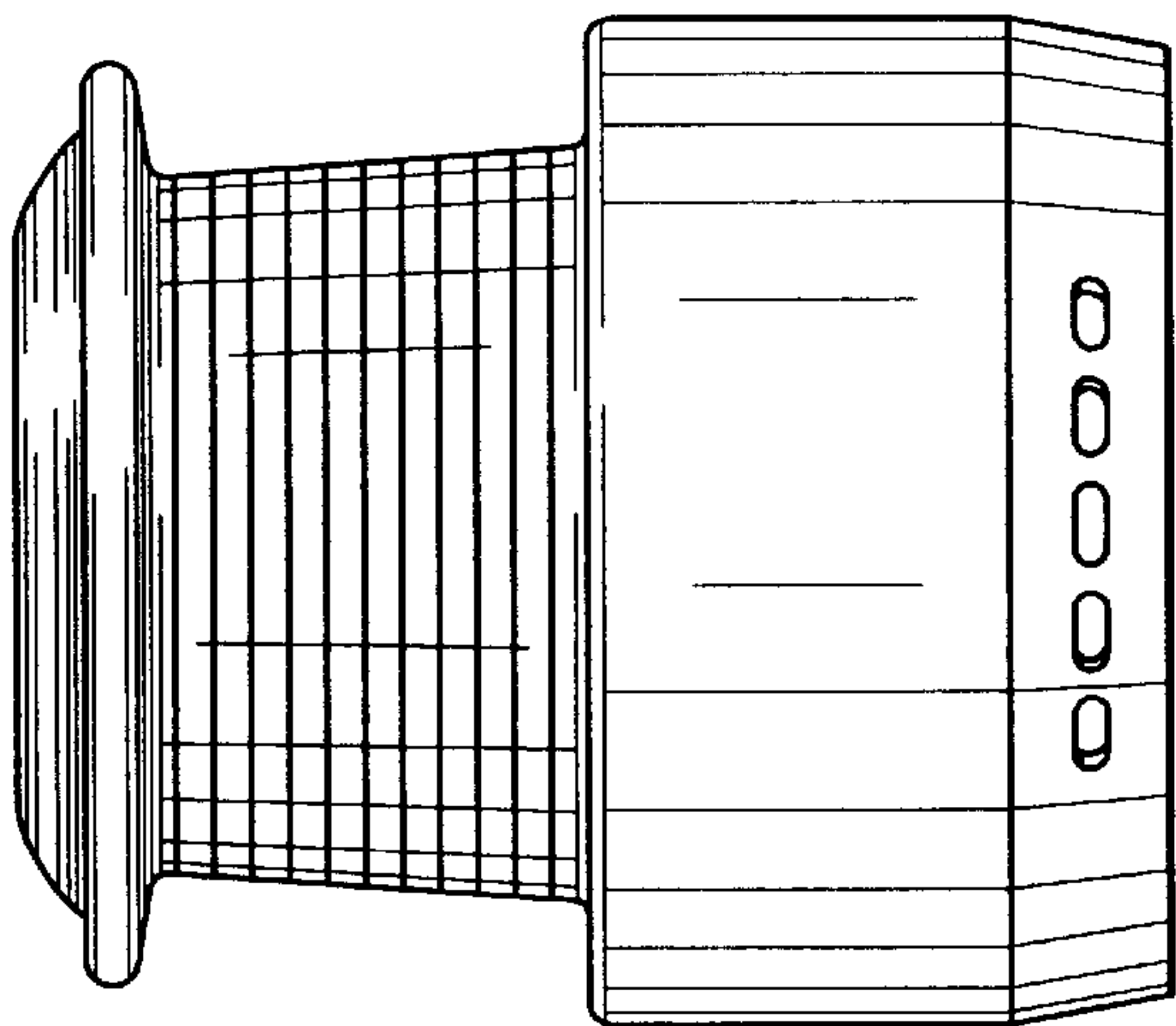


FIG. 15

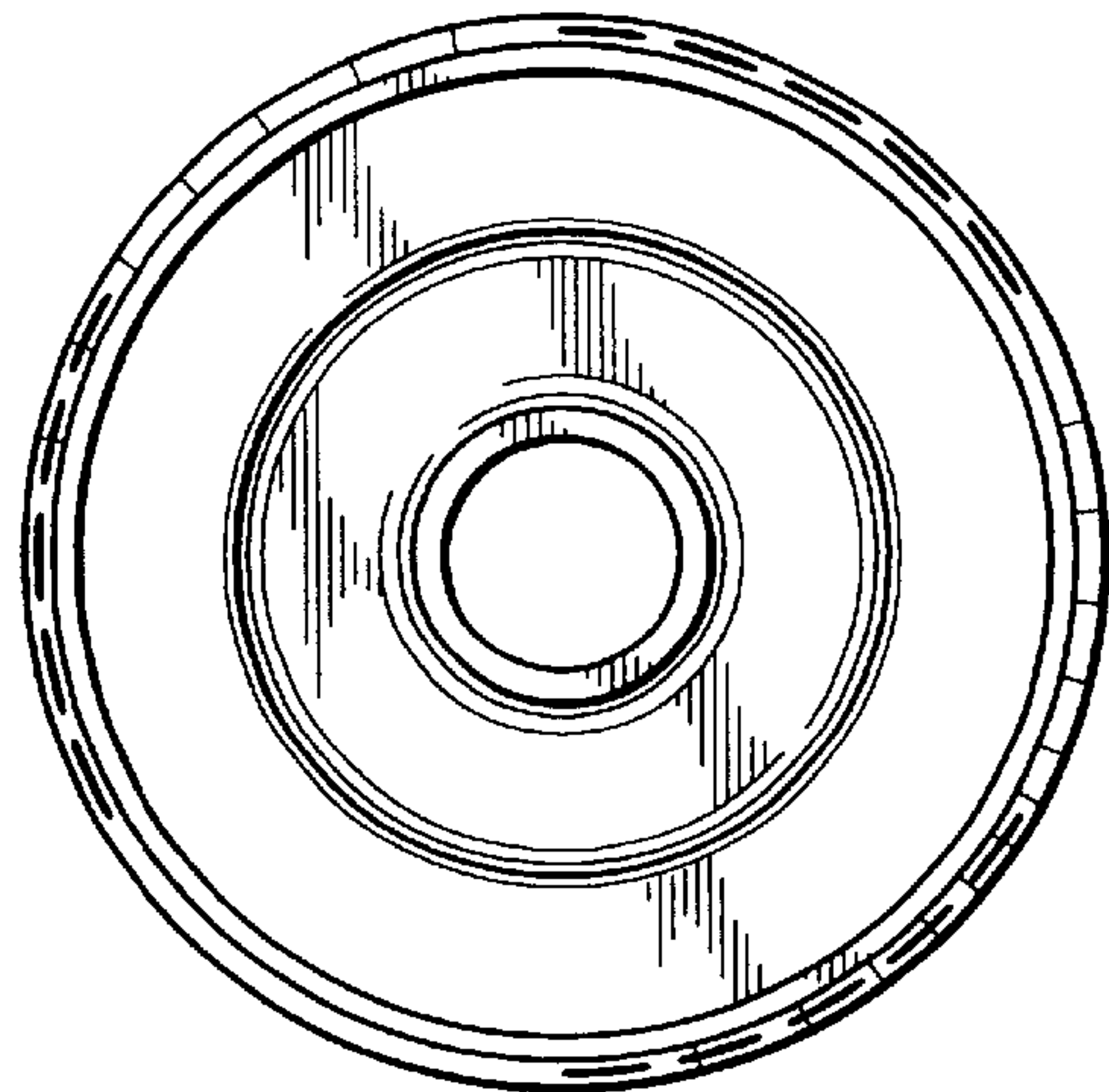


FIG. 16

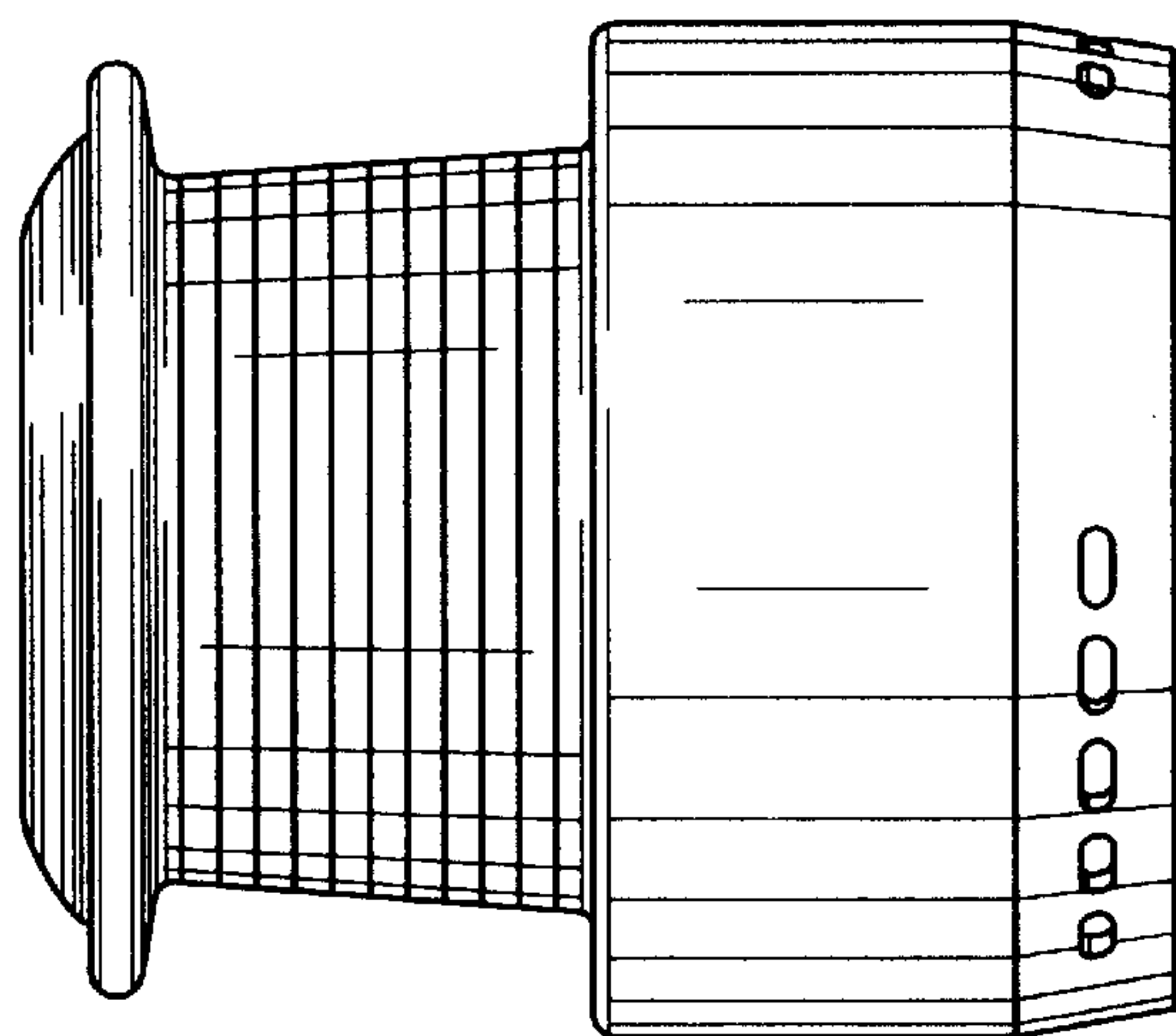


FIG. 17

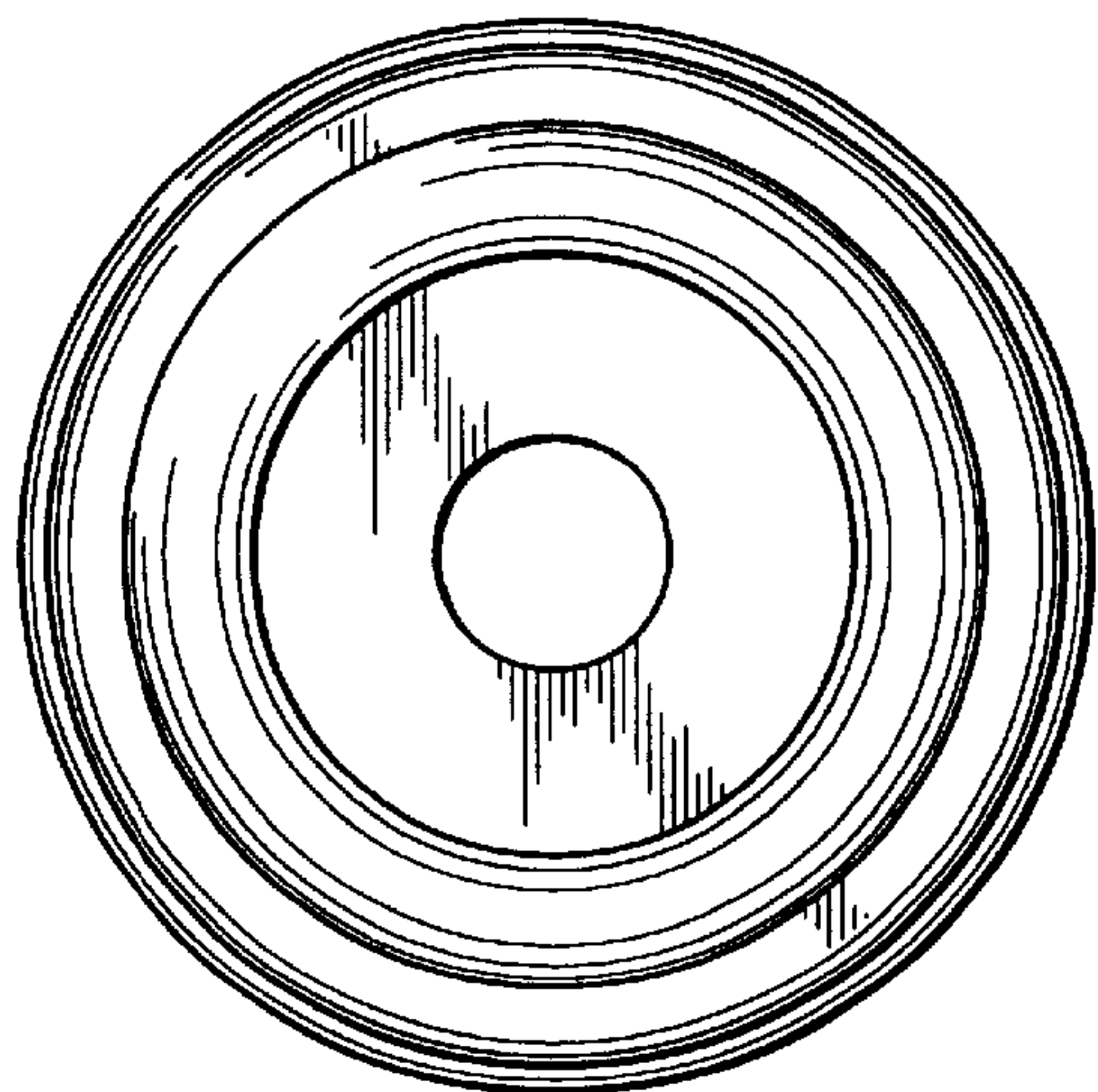


FIG. 18

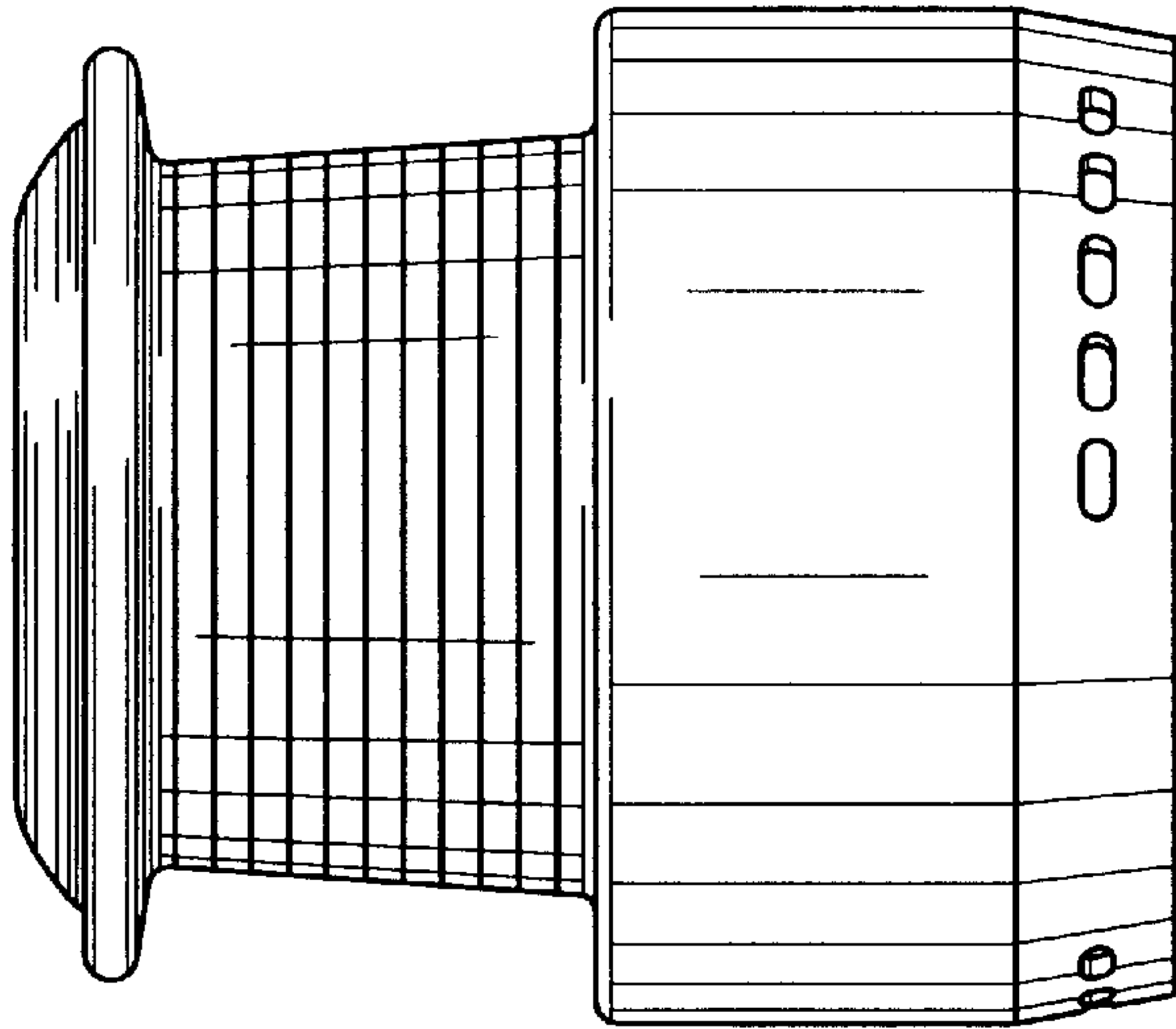


FIG. 19

