



US00D448442B1

(12) **United States Design Patent**
Cheng

(10) **Patent No.:** **US D448,442 S**

(45) **Date of Patent:** **** Sep. 25, 2001**

(54) **COMBINED KNIFE AND SHEATH**

(75) Inventor: **Yang-fu Cheng**, Taipei (TW)

(73) Assignee: **Kantas Products Co., Ltd.**, Taipei (TW)

(**) Term: **14 Years**

(21) Appl. No.: **29/121,056**

(22) Filed: **Mar. 31, 2000**

(51) **LOC (7) Cl.** **22-02**

(52) **U.S. Cl.** **D22/118; D3/220**

(58) **Field of Search** **D22/118, 117;**
D3/220; 30/151; 224/232

(56) **References Cited**

U.S. PATENT DOCUMENTS

- D. 229,472 * 12/1973 Collins D22/118
- D. 317,037 * 5/1991 Koshiishi D22/118
- D. 334,791 * 4/1993 Collins D22/118
- D. 378,243 * 3/1997 Seber D3/220

- D. 384,724 * 10/1997 Uke et al. D22/118
- D. 430,917 * 9/2000 Hall et al. D22/118
- 5,568,888 * 10/1996 Seber 224/232

* cited by examiner

Primary Examiner—Catherine R. Oliver

(74) *Attorney, Agent, or Firm*—Rabin & Champagne, P.C.

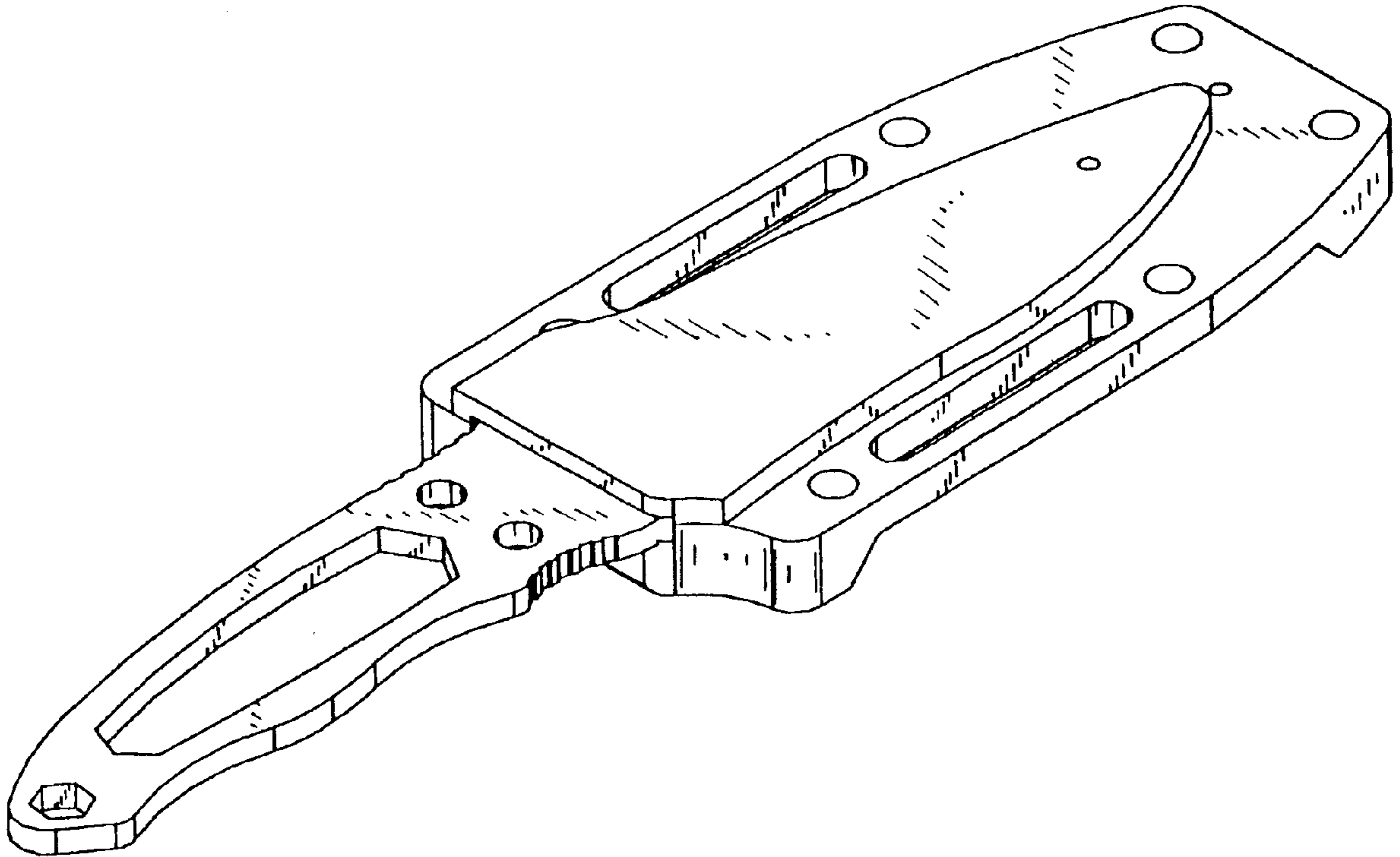
(57) **CLAIM**

The ornamental design for a “combined knife and sheath”, as shown and described.

DESCRIPTION

FIG. 1 is a front view of a combined knife and sheath showing my new design;
 FIG. 2 is a rear view thereof;
 FIG. 3 is a left side view thereof;
 FIG. 4 is a right side view thereof;
 FIG. 5 is a top view thereof;
 FIG. 6 is a bottom view thereof; and,
 FIG. 7 is a perspective view thereof.

1 Claim, 3 Drawing Sheets



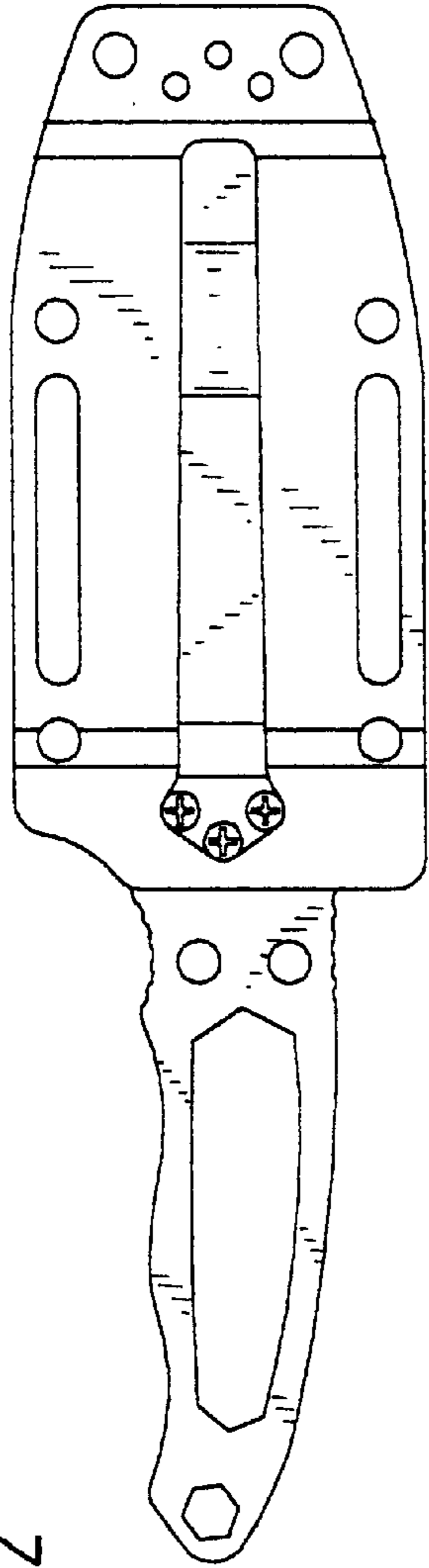


FIG. 2

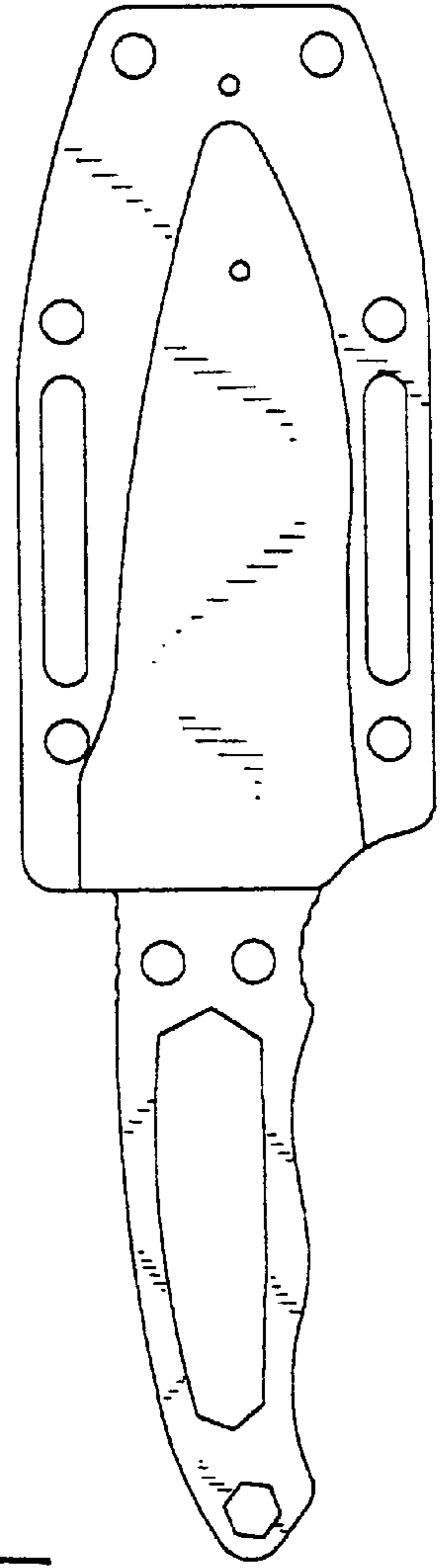


FIG. 1

FIG. 3

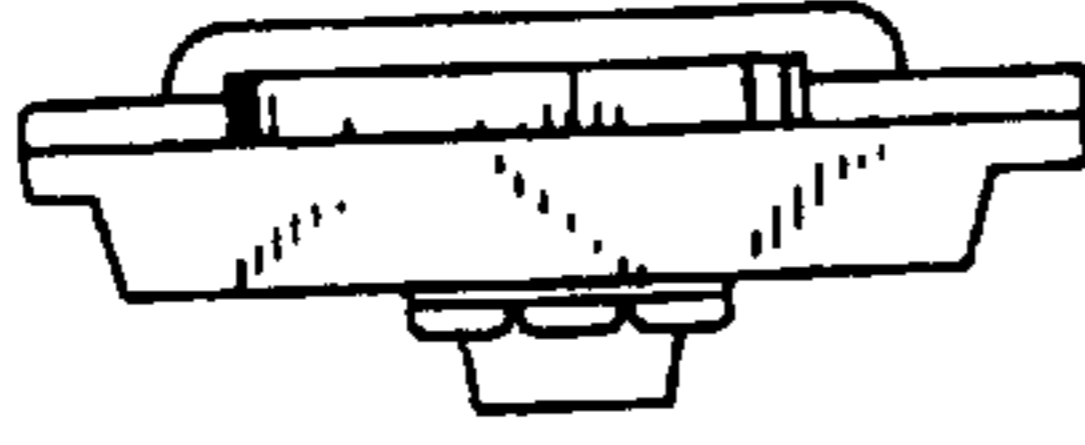


FIG. 4

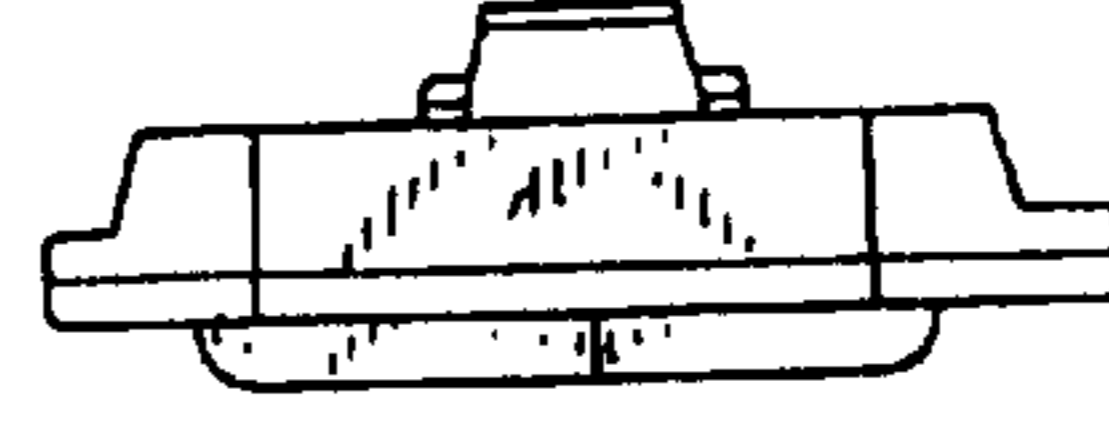


FIG. 5

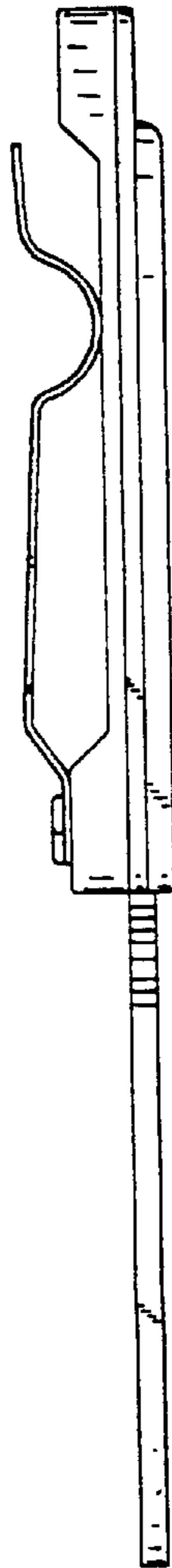
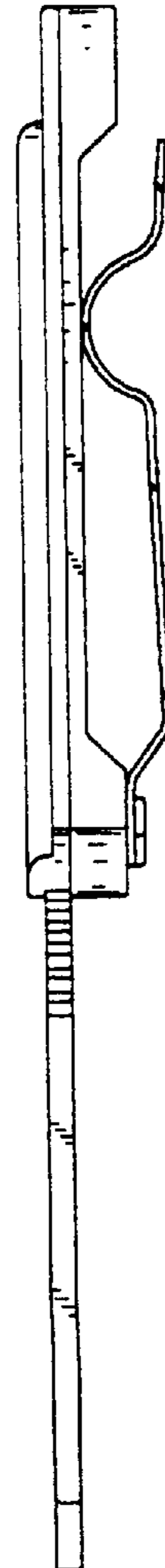


FIG. 6



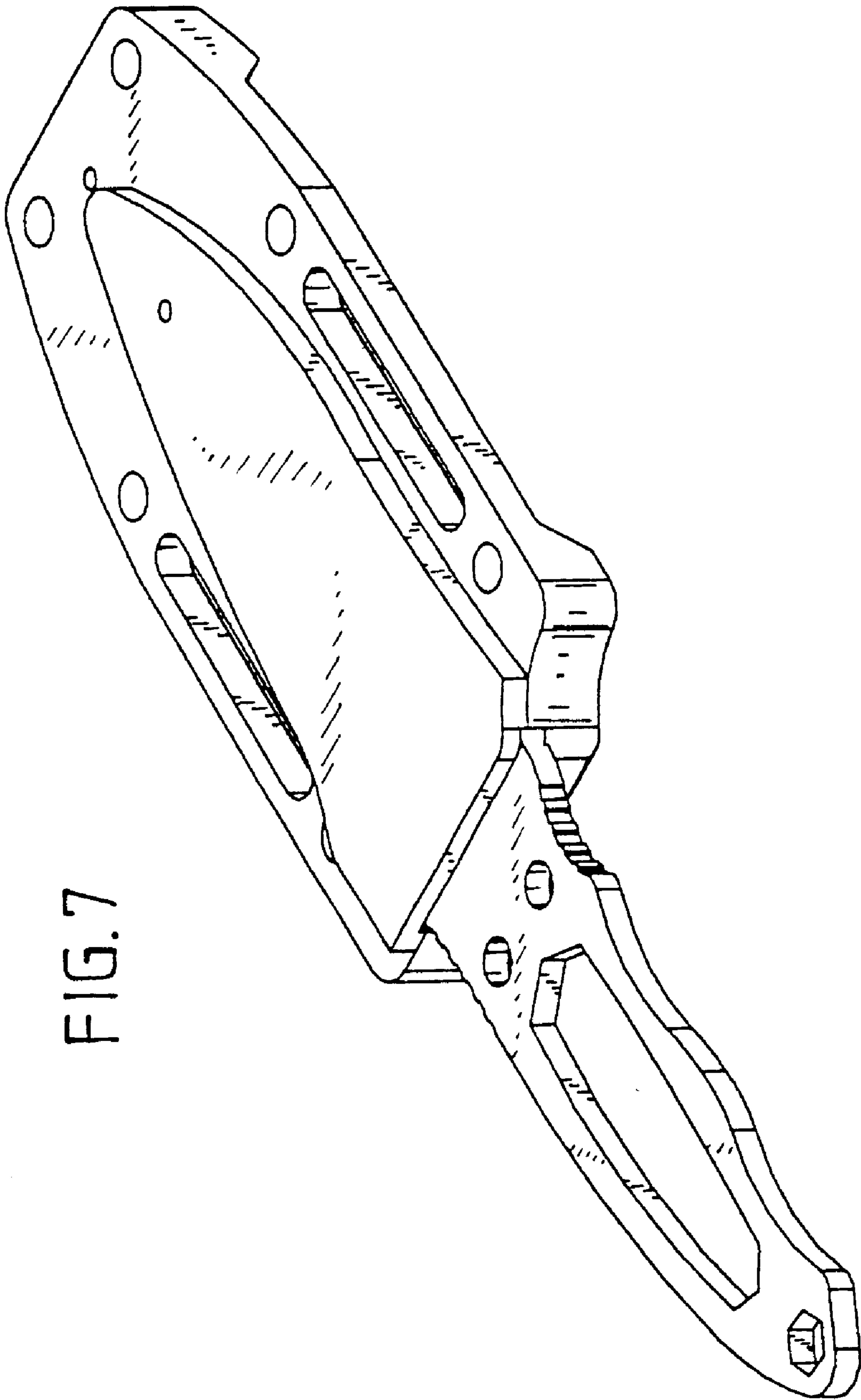


FIG. 7