



US00D448431B1

(12) **United States Design Patent**  
**Negron et al.**

(10) **Patent No.:** **US D448,431 S**

(45) **Date of Patent:** **\*\* Sep. 25, 2001**

(54) **TOY**

(76) **Inventors:** **Ramon Negron; Andrew Negron**, both  
of 2309 Partnership Hill Dr., Apopka,  
FL (US) 32712

(\*\*) **Term:** **14 Years**

(21) **Appl. No.:** **29/136,078**

(22) **Filed:** **Jan. 25, 2001**

(51) **LOC (7) Cl.** ..... **21-01**

(52) **U.S. Cl.** ..... **D21/463; D21/460**

(58) **Field of Search** ..... **D21/398, 455,**  
**D21/460, 461, 463; 446/256, 259, 261-263**

(56) **References Cited**

**U.S. PATENT DOCUMENTS**

- D. 82,801 \* 12/1930 Deakides ..... D21/461
- D. 95,758 \* 5/1935 Kleinofen ..... D21/461
- D. 255,589 \* 6/1980 Johnson ..... D21/461

- D. 310,693 \* 9/1990 Campbell ..... D21/461
- D. 402,320 \* 12/1998 Venturini et al. .... D21/463
- 525,788 \* 9/1894 Long et al. .... 446/263
- 1,830,367 \* 11/1931 McCall ..... 446/263
- 1,864,843 \* 6/1932 McCall ..... 446/263

\* cited by examiner

*Primary Examiner*—Dominic Simone

(74) *Attorney, Agent, or Firm*—Patent & Trademark  
Services; Joseph H. McGlynn

(57) **CLAIM**

The ornamental design for a toy, as shown and described.

**DESCRIPTION**

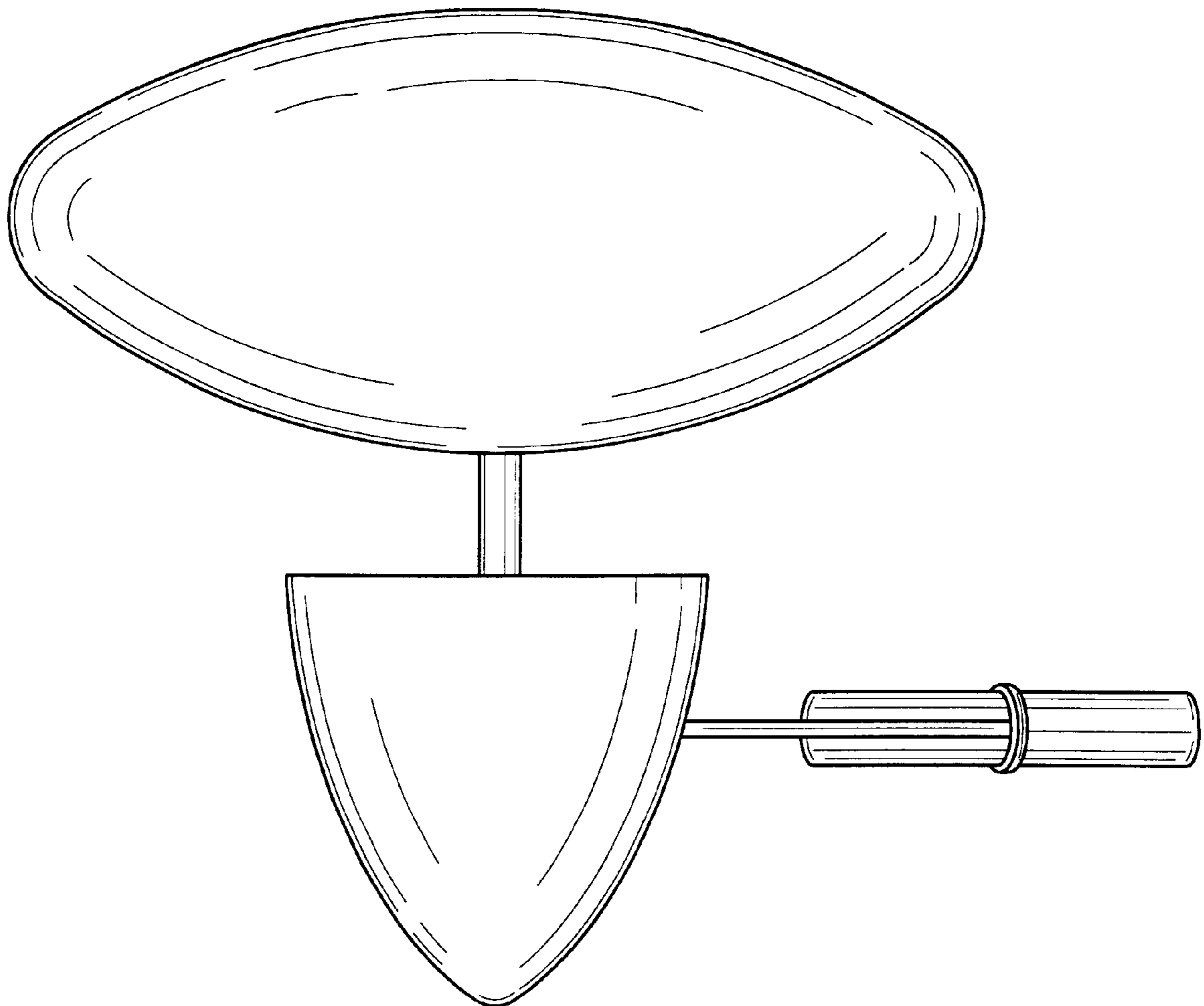
FIG. 1 is a side view.

FIG. 2 is a front view.

FIG. 3 is a top view; and,

FIG. 4 is a bottom view.

**1 Claim, 2 Drawing Sheets**



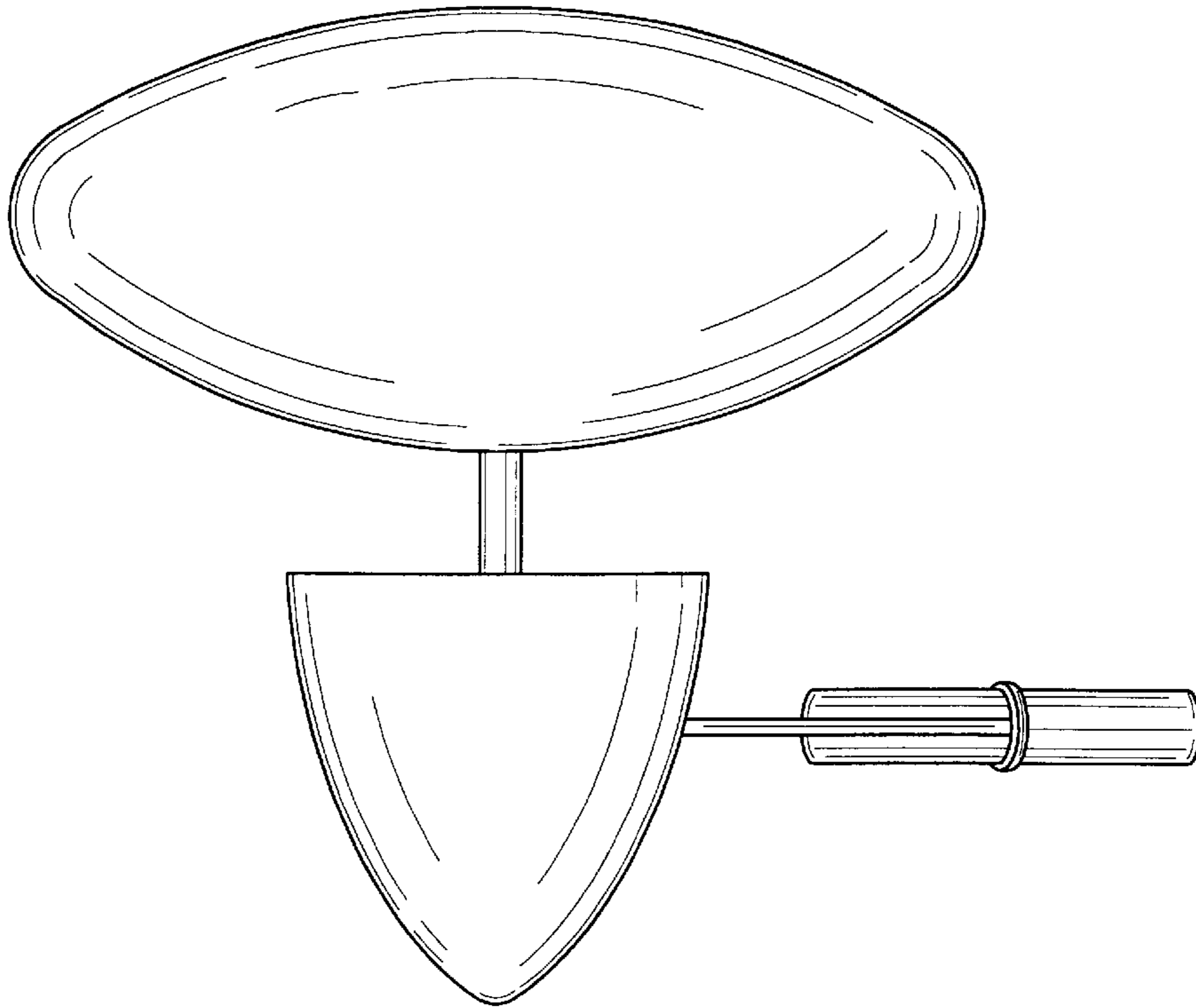


FIG. 1

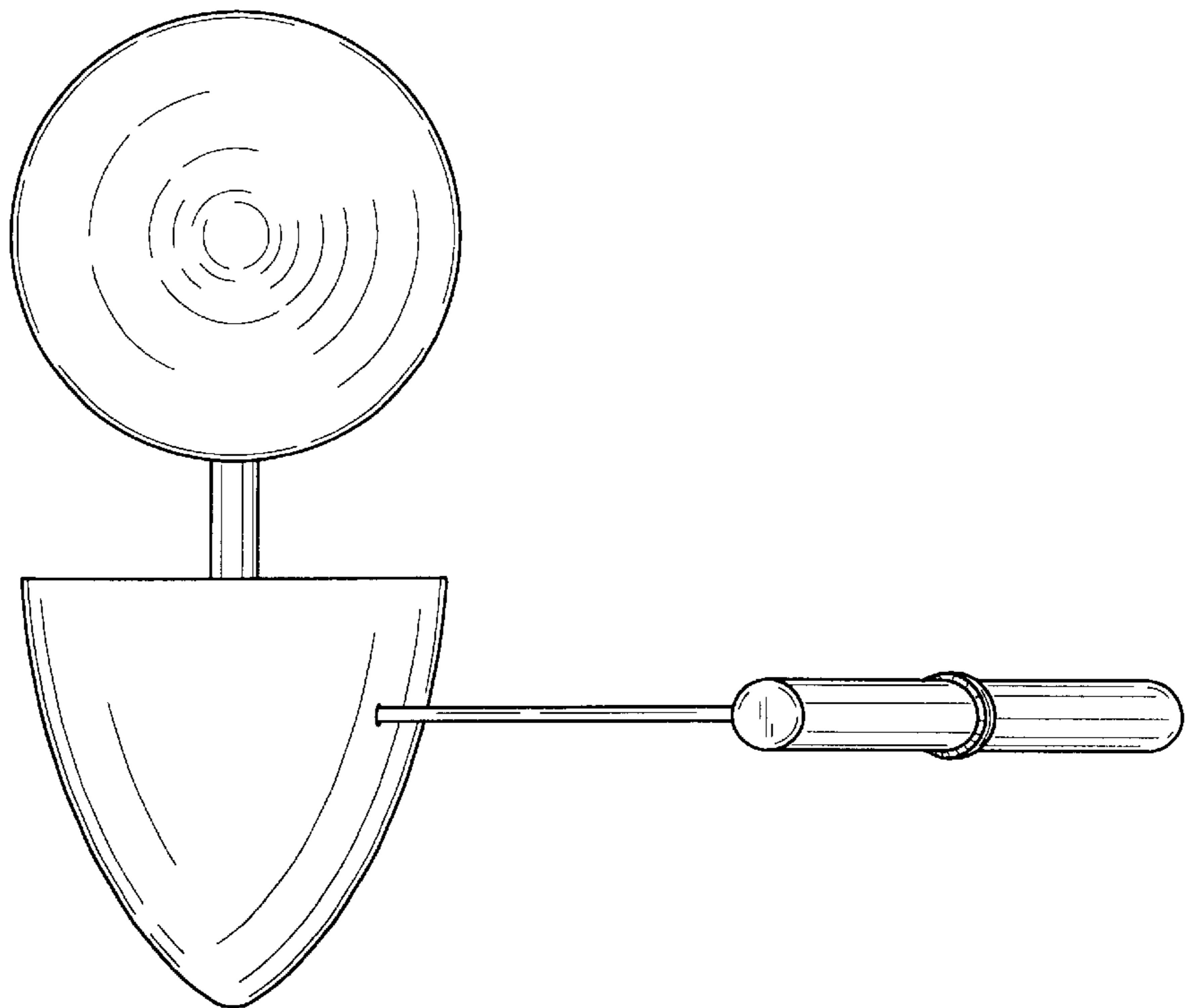


FIG. 2

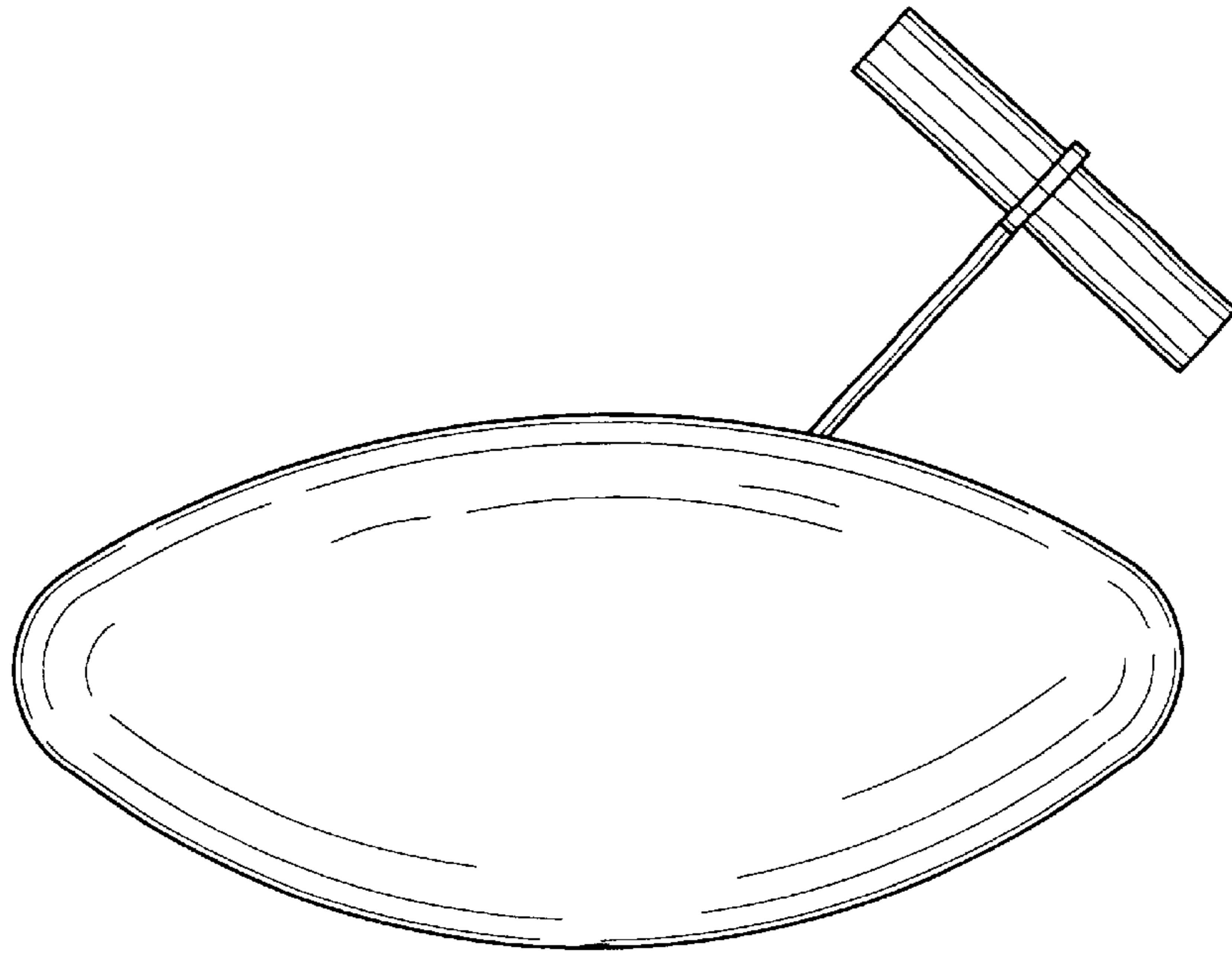


FIG.3

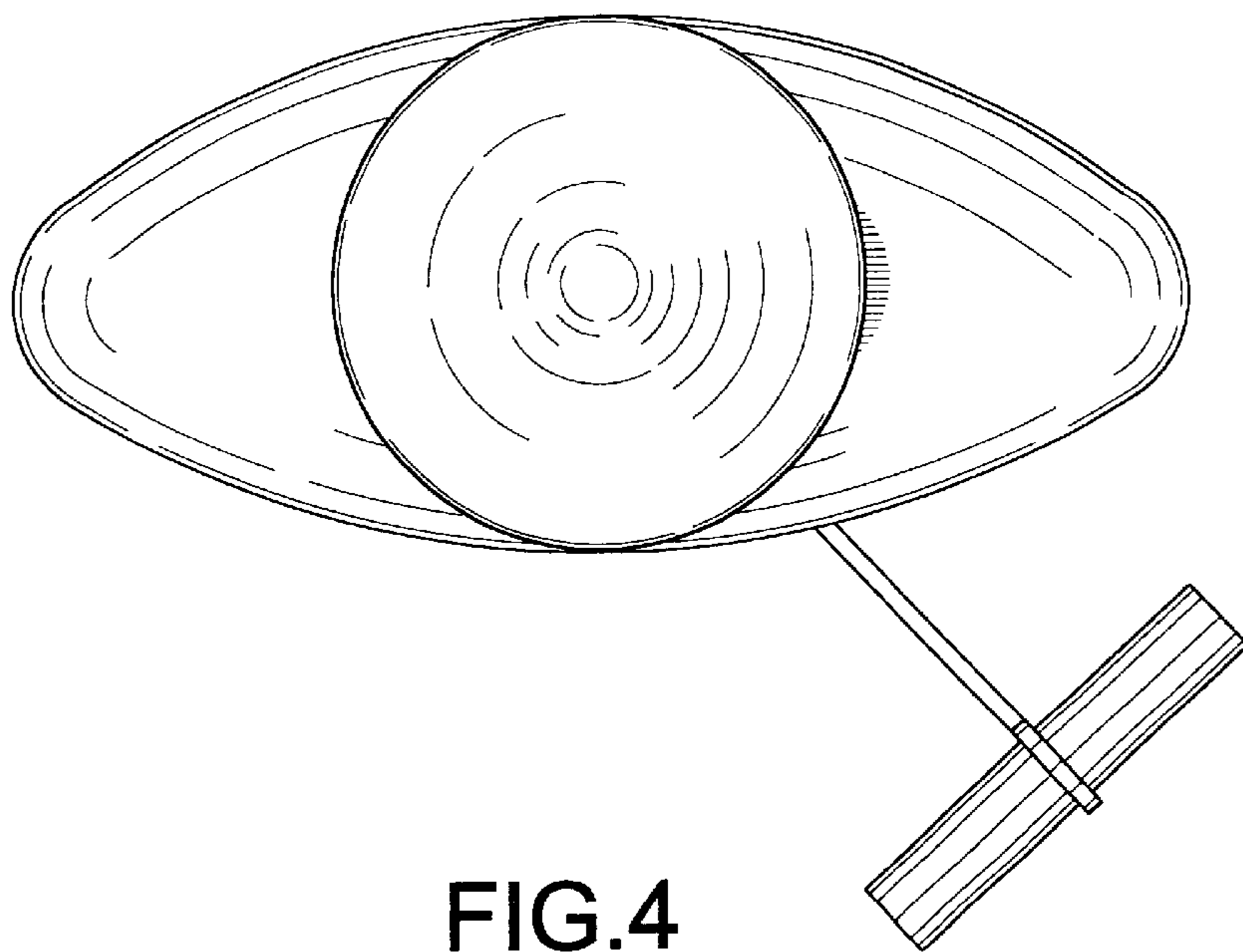


FIG.4