



US00D448429B1

(12) **United States Design Patent**
Chen

(10) **Patent No.:** **US D448,429 S**

(45) **Date of Patent:** **** Sep. 25, 2001**

(54) **SCOOTER**

(75) Inventor: **Chao-Chiun Chen**, Taichung Hsien
(TW)

(73) Assignee: **High Spot Industrial Co., Ltd.**,
Taichung (TW)

(**) Term: **14 Years**

(21) Appl. No.: **29/140,499**

(22) Filed: **Apr. 20, 2001**

(51) **LOC (7) Cl.** **21-01**

(52) **U.S. Cl.** **D21/423**

(58) **Field of Search** D21/419, 421,
D21/423, 424, 426, 435, 533, 760, 765,
771; D12/107, 110-112; 280/87.01, 87.04,
87.041, 87.042, 87.05; 180/181, 216

(56) **References Cited**

U.S. PATENT DOCUMENTS

- D. 292,221 * 10/1987 Mueller D21/423
- D. 295,428 * 4/1988 Cummings D21/423

- 4,799,701 * 1/1989 Lindau et al. 280/87.041
- 4,799,702 * 1/1989 Wang 280/87.041
- 5,848,660 * 12/1998 McGreen 280/87.041
- 6,179,307 * 1/2001 Mao 280/87.05

* cited by examiner

Primary Examiner—Raphael Barkai

(74) *Attorney, Agent, or Firm*—Harrison & Egbert

(57) **CLAIM**

I claim the ornamental design for a scooter, as shown and described.

DESCRIPTION

FIG. 1 is an upper perspective view of the scooter showing my design.

FIG. 2 is a front view thereof;

FIG. 3 is a back view thereof;

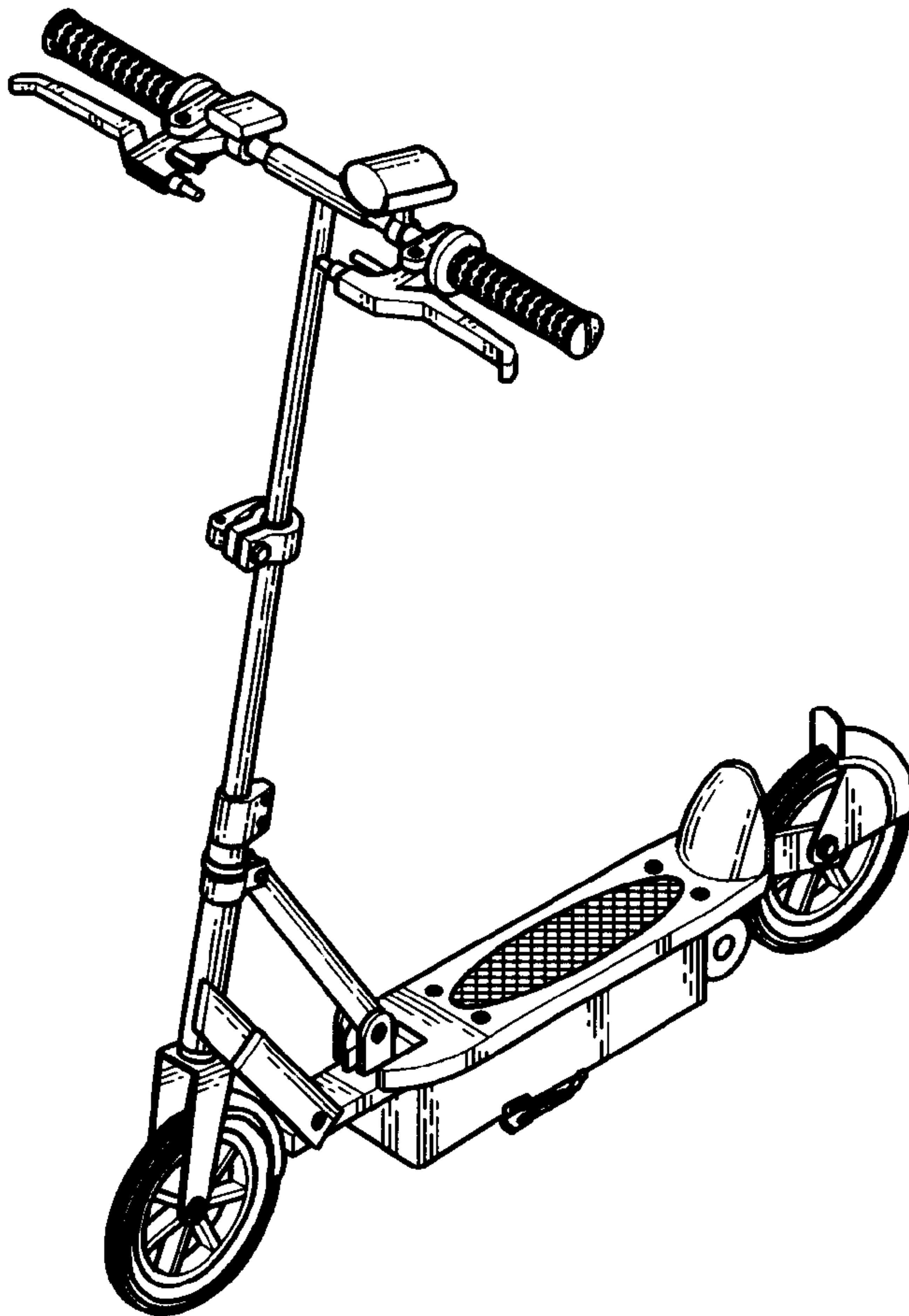
FIG. 4 is a side view thereof;

FIG. 5 is an opposite side view thereof;

FIG. 6 is a top view thereof; and,

FIG. 7 is a bottom view thereof.

1 Claim, 4 Drawing Sheets



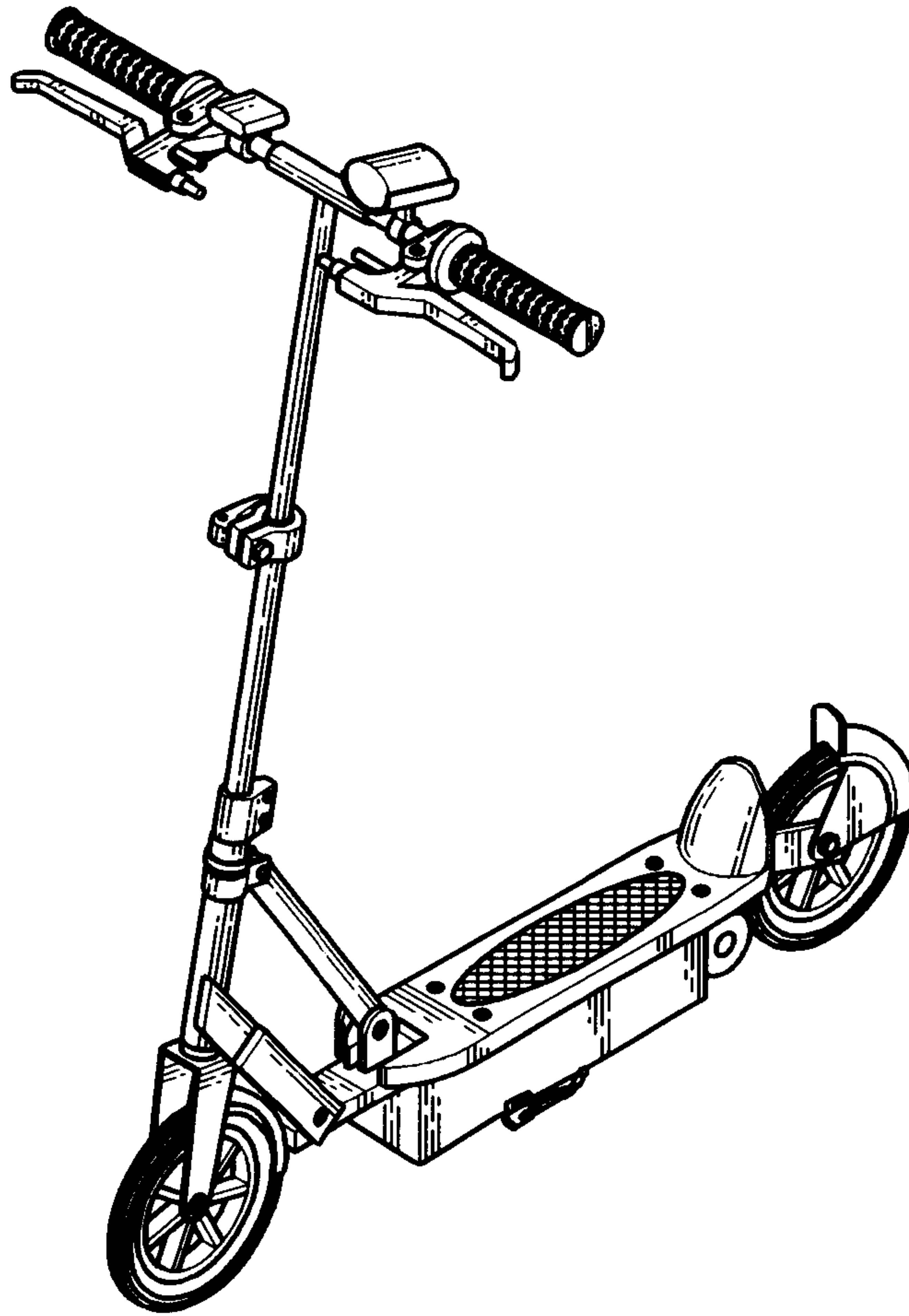


FIG. 1

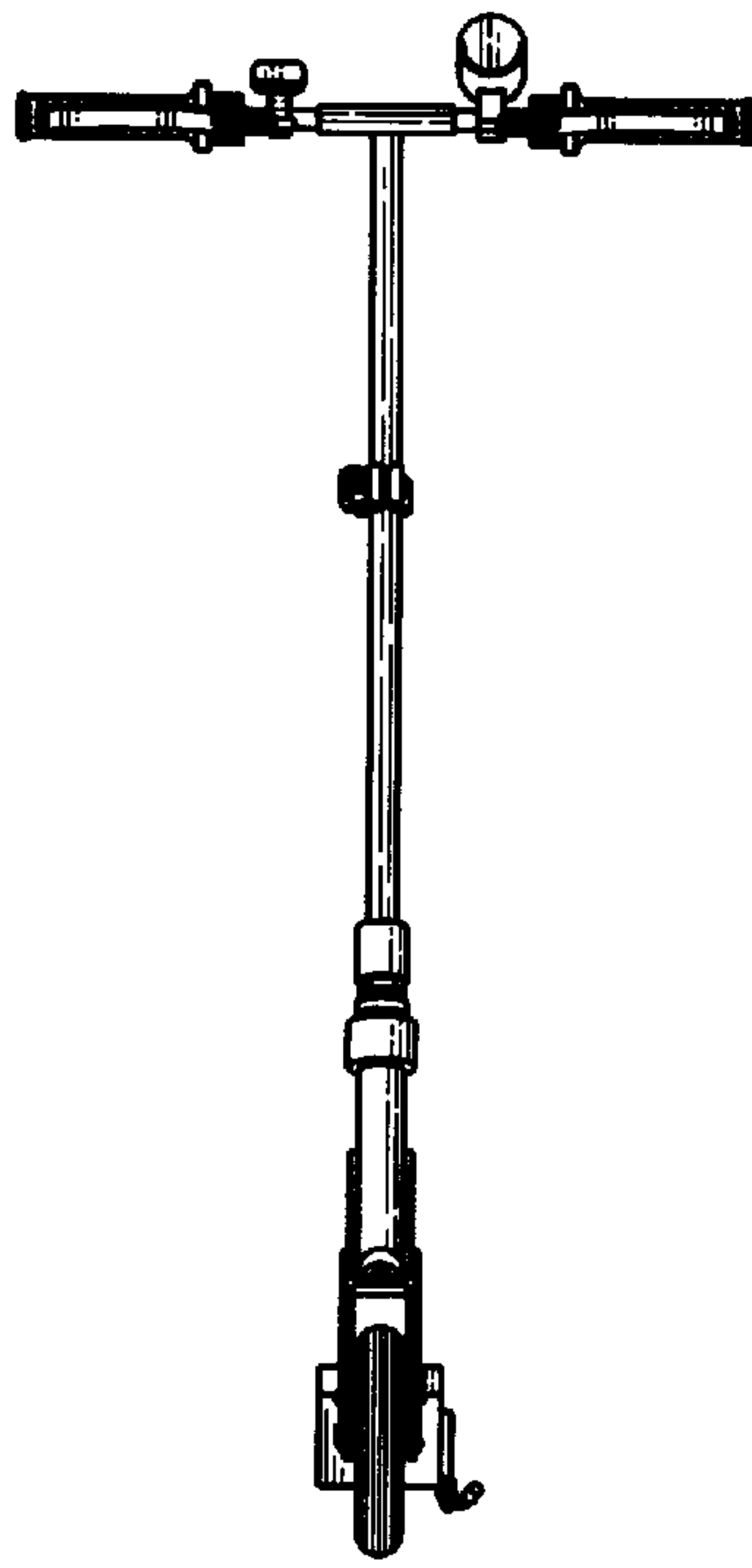


FIG. 2

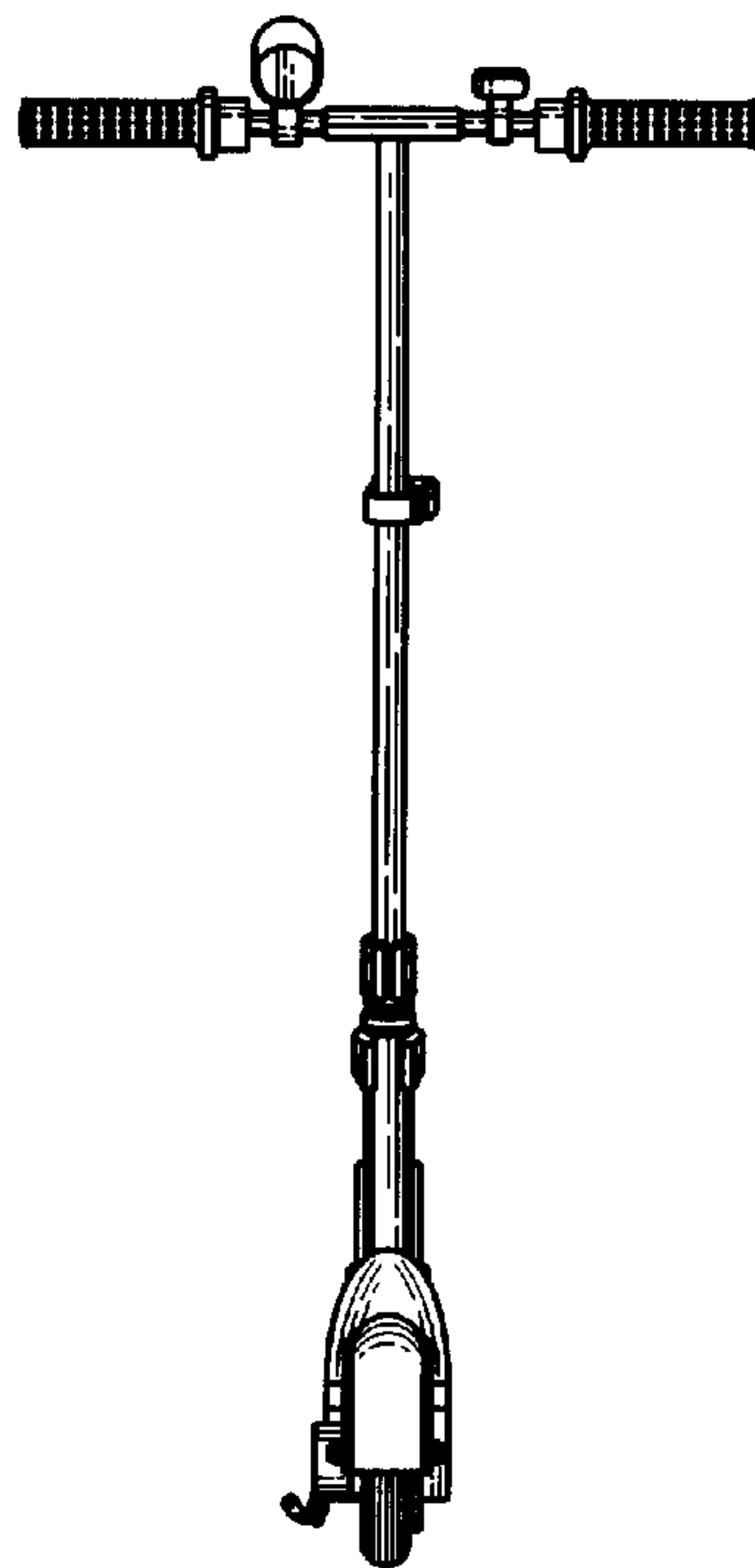


FIG. 3

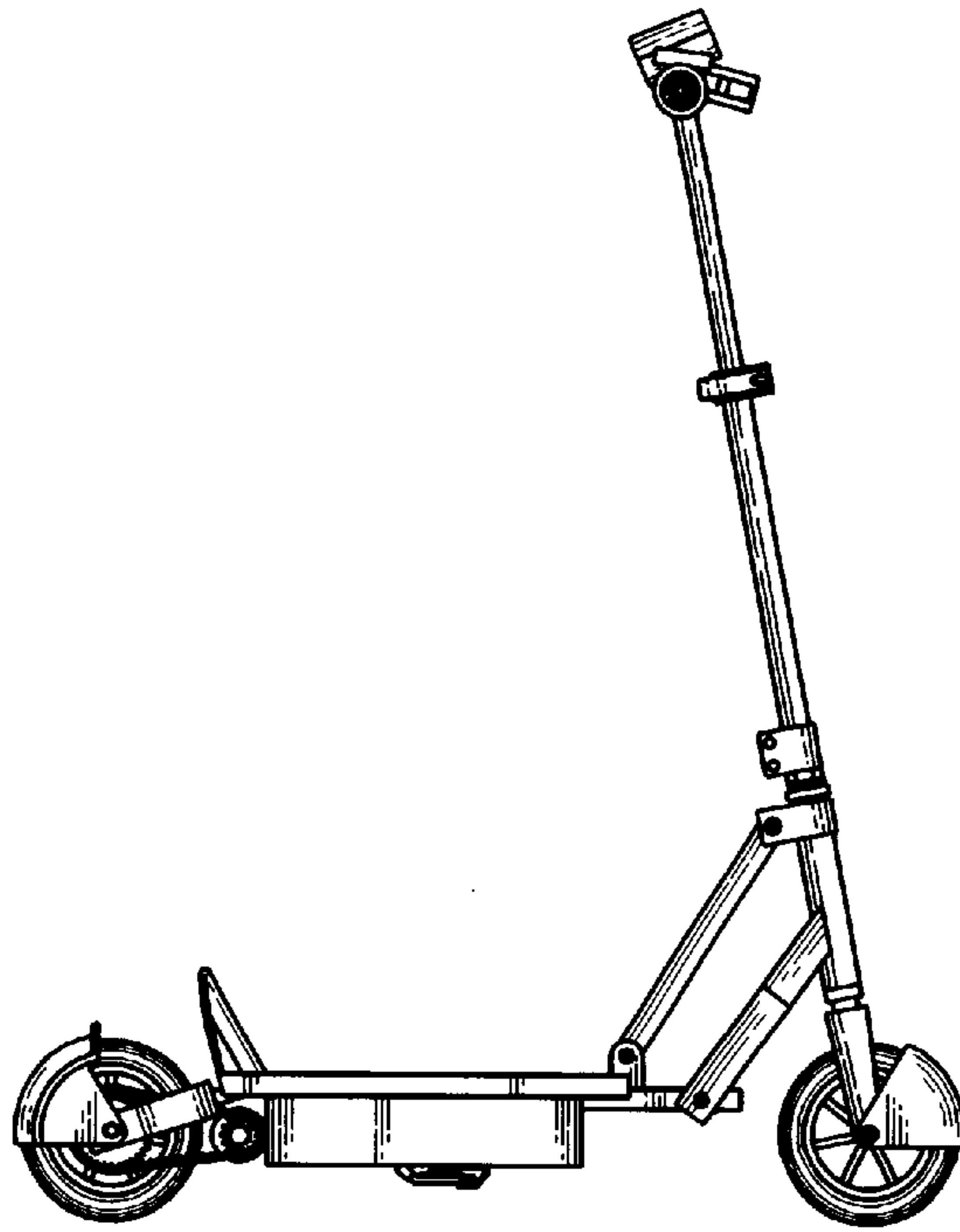


FIG. 4

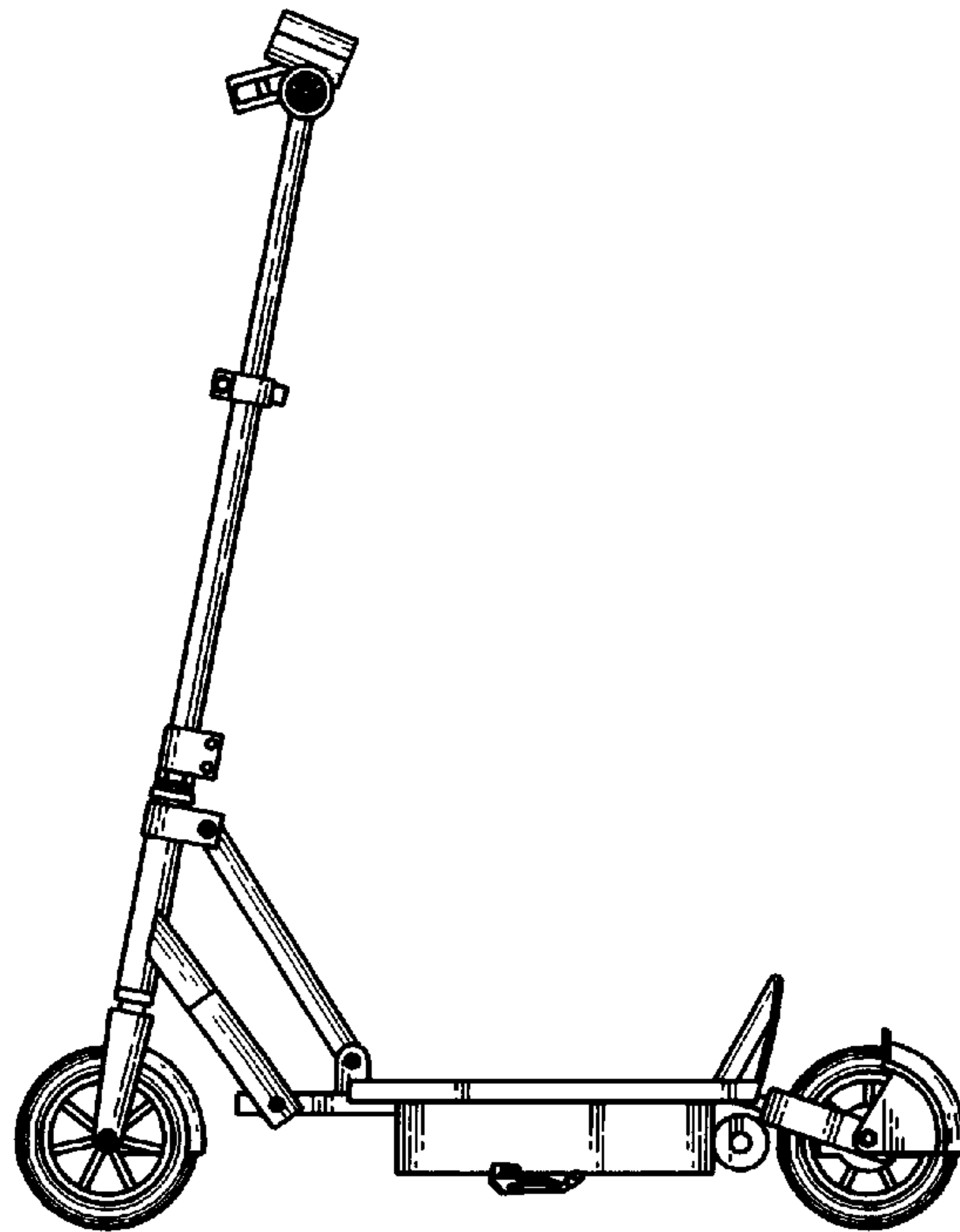


FIG. 5

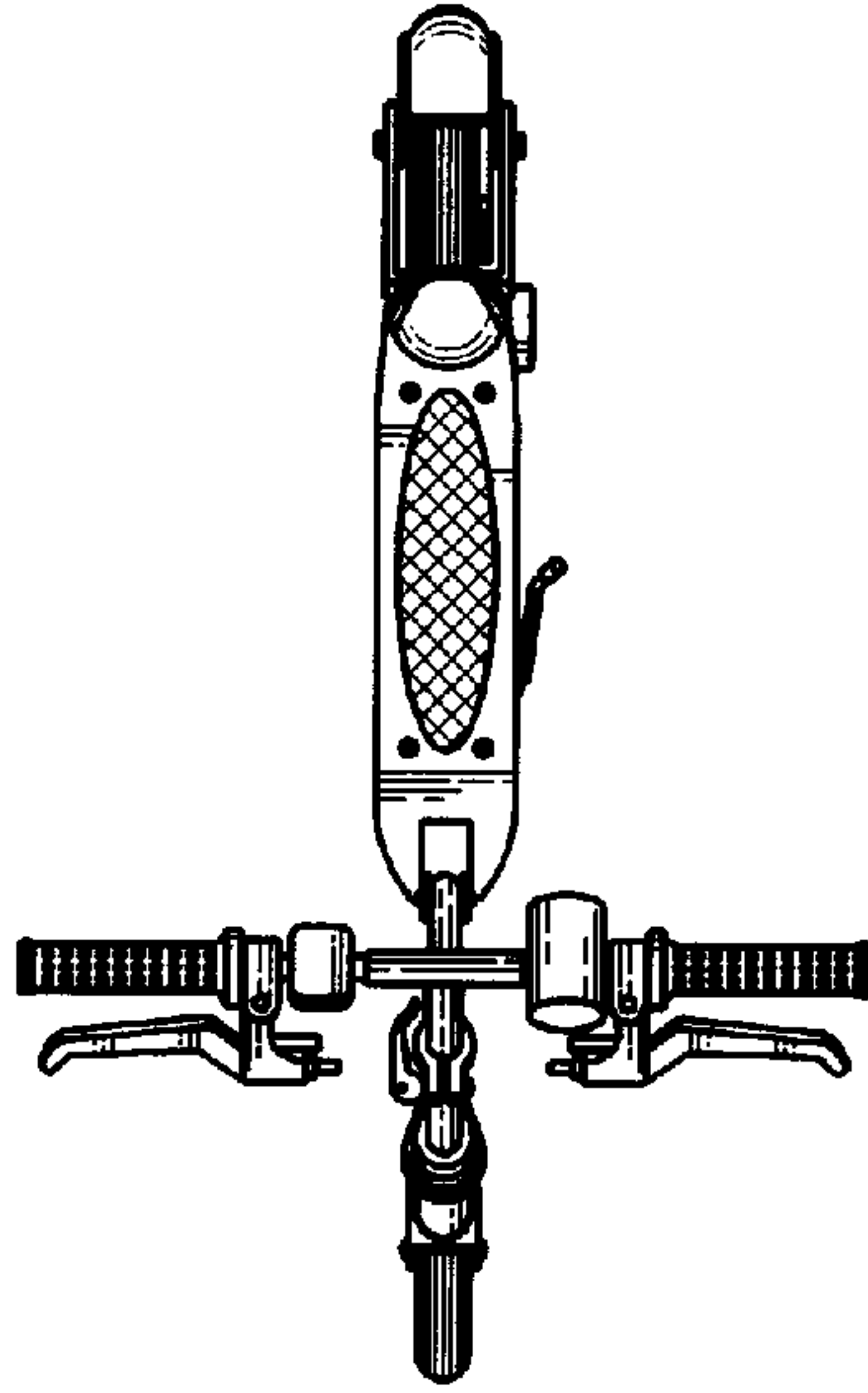


FIG. 6

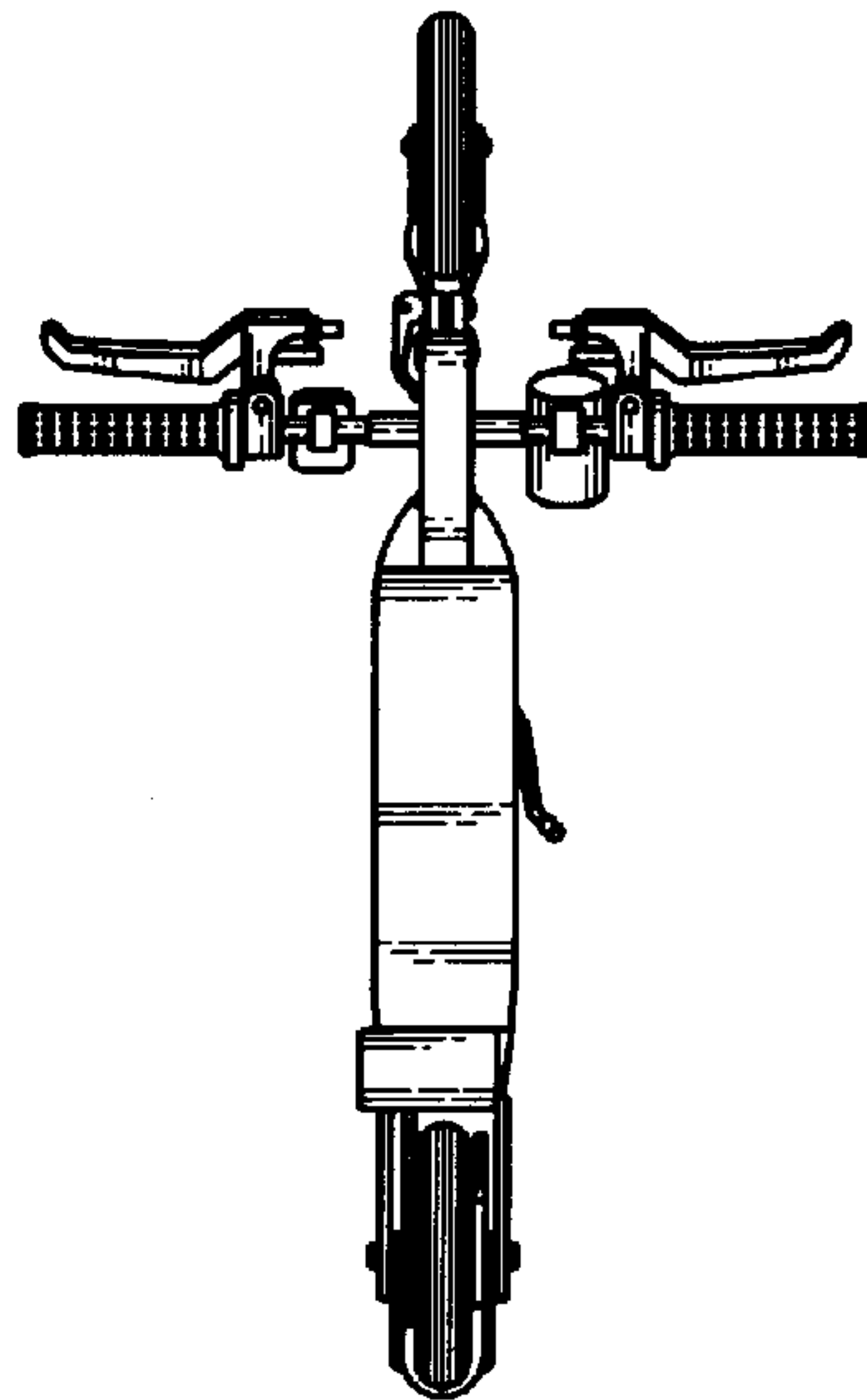


FIG. 7