



US00D448428B1

(12) **United States Design Patent**  
**Humphrey**

(10) **Patent No.:** **US D448,428 S**

(45) **Date of Patent:** **\*\* Sep. 25, 2001**

(54) **FOUR-WHEELED PUSH CART**

(76) Inventor: **Allen Humphrey**, P.O. Box 470,  
LaPorte, TX (US) 77572-0470

(\*\*) Term: **14 Years**

(21) Appl. No.: **29/139,651**

(22) Filed: **Apr. 3, 2001**

(51) **LOC (7) Cl.** ..... **21-01**

(52) **U.S. Cl.** ..... **D21/421; D21/423**

(58) **Field of Search** ..... D21/419-435,  
D21/533, 534, 548-551, 561-563; D12/110-112,  
107; 280/87.01, 87.021, 87.041, 87.042,  
87.05; 446/465, 470

(56) **References Cited**

**U.S. PATENT DOCUMENTS**

D. 146,365	*	2/1947	Kinslow	.....	D21/423
D. 218,628	*	9/1970	Gonzalez	.....	D21/423
D. 435,608	*	12/2000	Medeiros	.....	D21/423
3,438,642	*	4/1969	Kite et al.	.....	D21/421
4,828,284	*	5/1989	Sandgren	.....	280/87.041

\* cited by examiner

*Primary Examiner*—Raphael Barkai

(74) *Attorney, Agent, or Firm*—Daniel N. Lundeen;  
Lundeen & Arismendi, L.L.P.

(57) **CLAIM**

The ornamental design for a four-wheeled pushcart, as shown and described.

**DESCRIPTION**

FIG. 1 is a perspective view of a four-wheeled pushcart with the front wheels turning to the right, showing my new design;

FIG. 2 is a side elevational view of a four-wheeled pushcart with the rear wheels on the left and the front wheels on the right, showing my new design;

FIG. 3 is a side elevational view of a four-wheeled pushcart with the rear wheels on the right and the front wheels on the left, showing my new design;

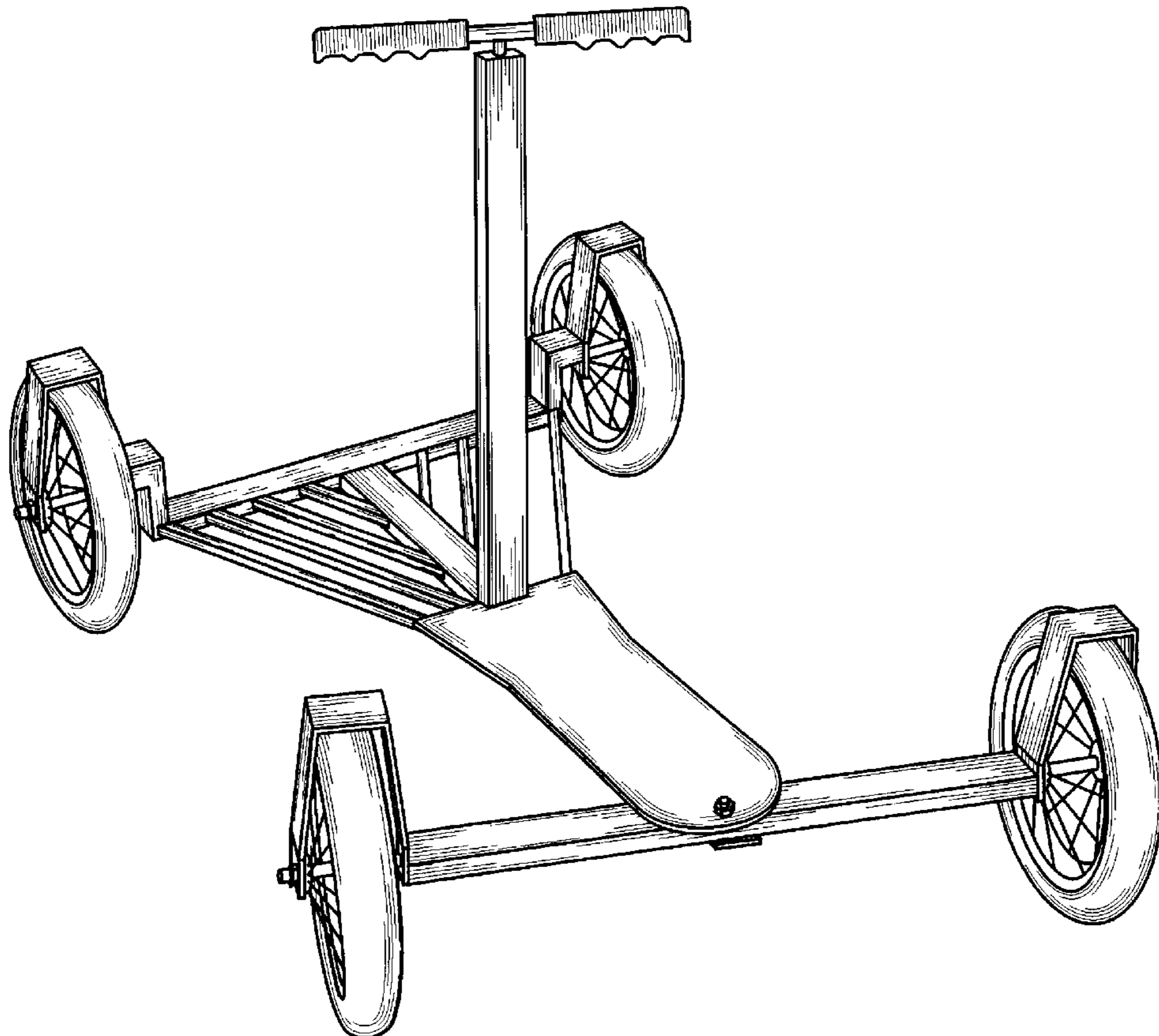
FIG. 4 is a front elevational perspective view thereof, showing my new design;

FIG. 5 is a rear elevational perspective view thereof, showing my new design;

FIG. 6 is a top perspective view of a four-wheeled pushcart thereof, showing my new design; and,

FIG. 7 is a bottom perspective view of a four-wheeled pushcart thereof, showing my new design.

**1 Claim, 5 Drawing Sheets**



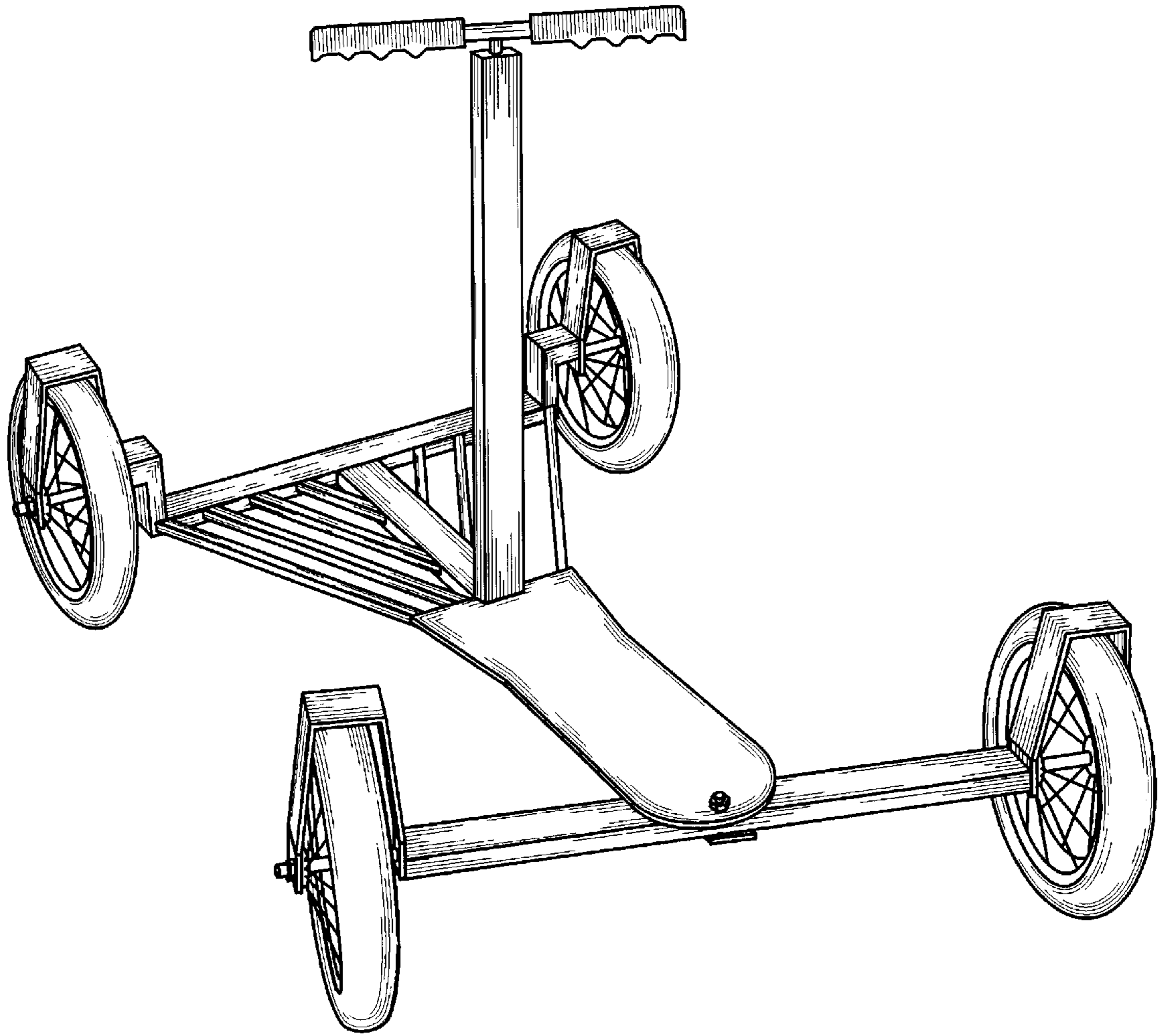


FIG. 1

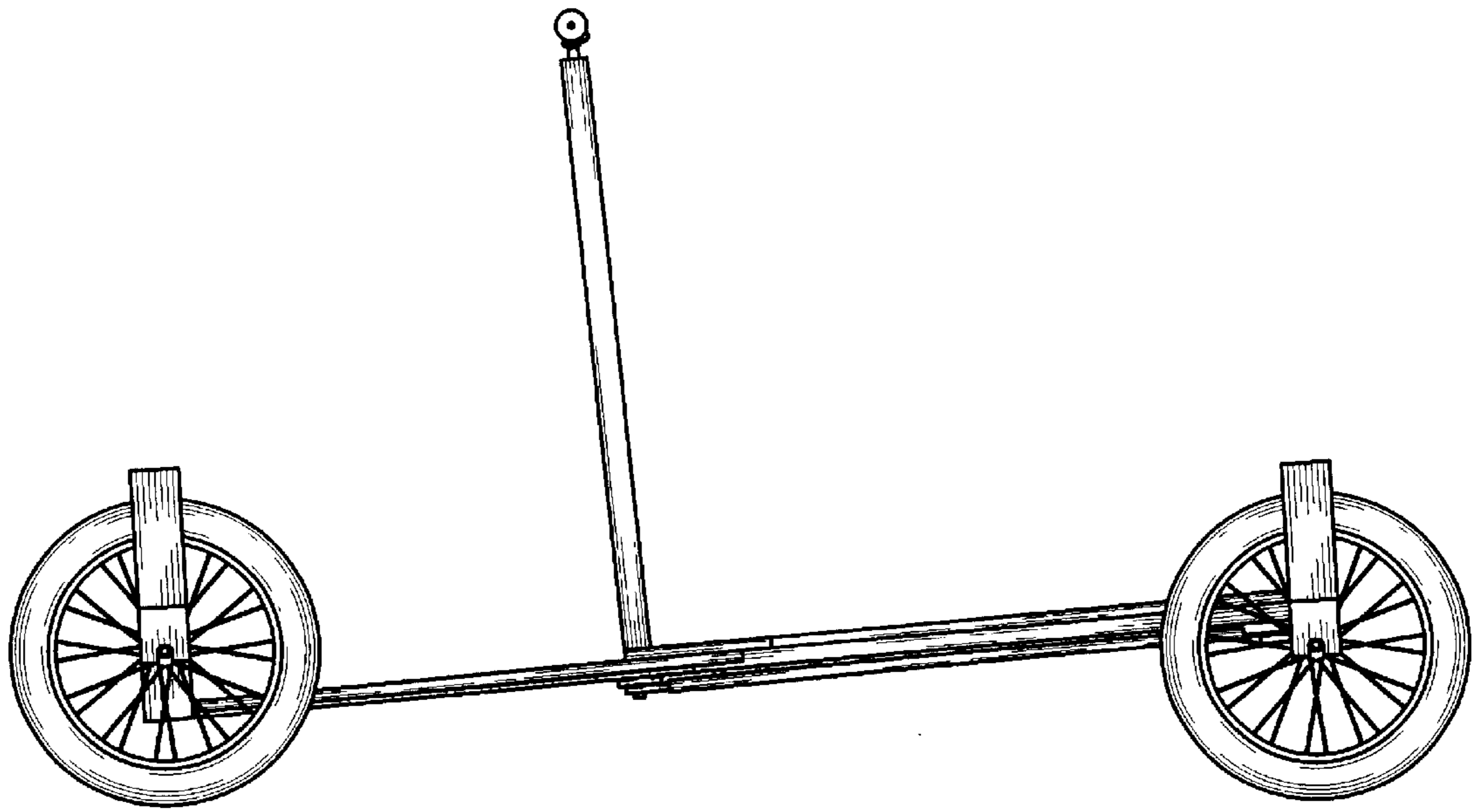


FIG. 2

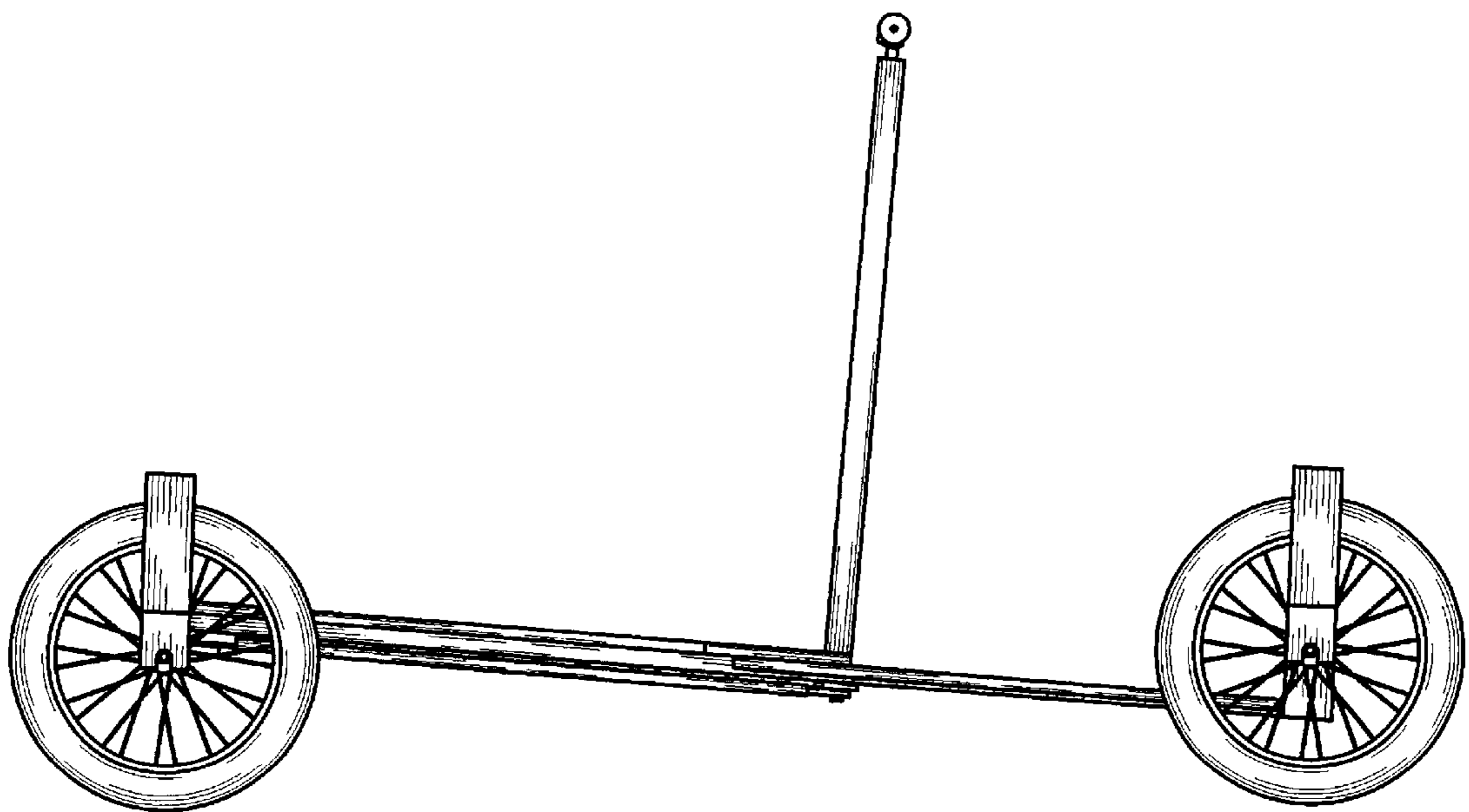
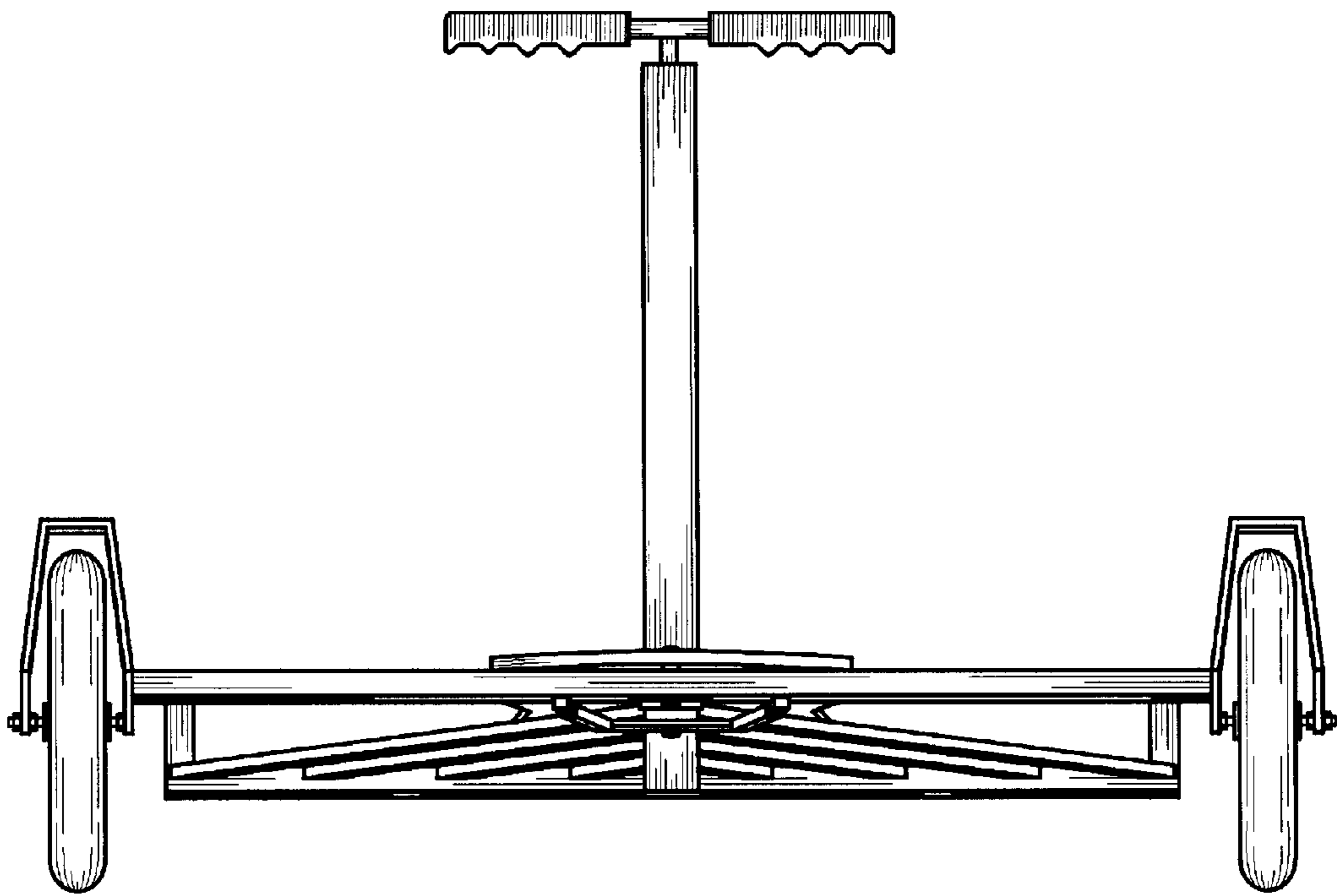
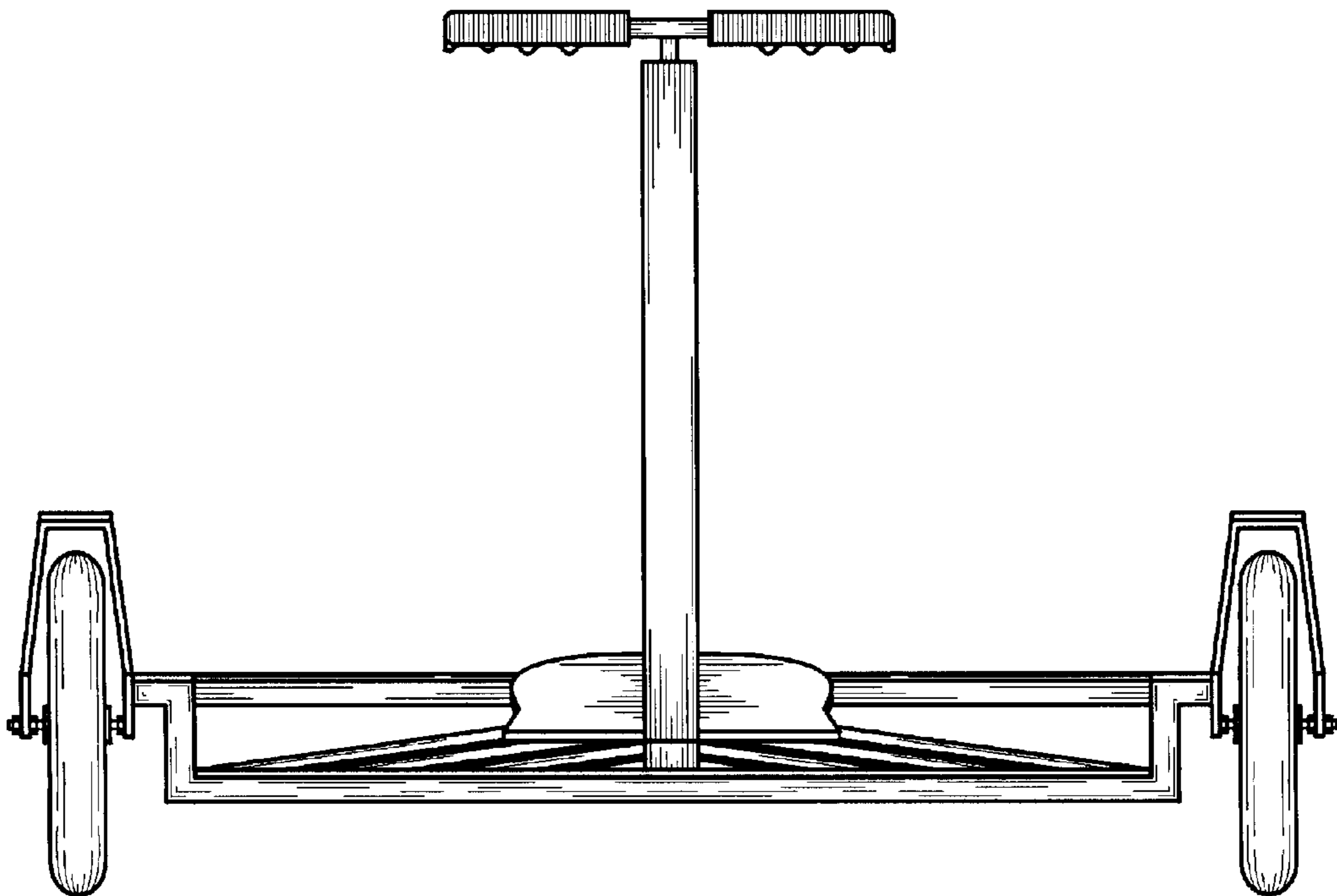


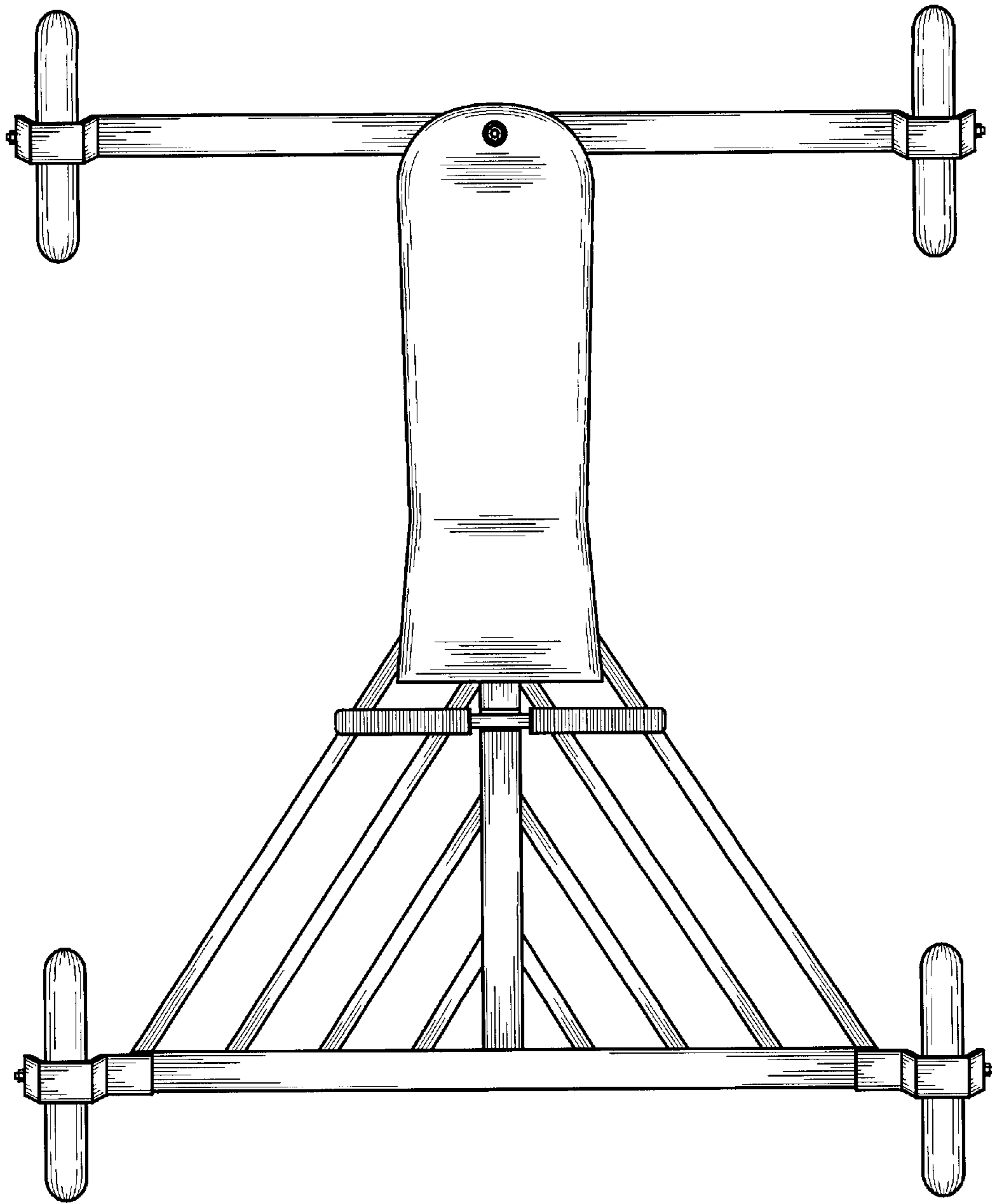
FIG. 3



*FIG. 4*

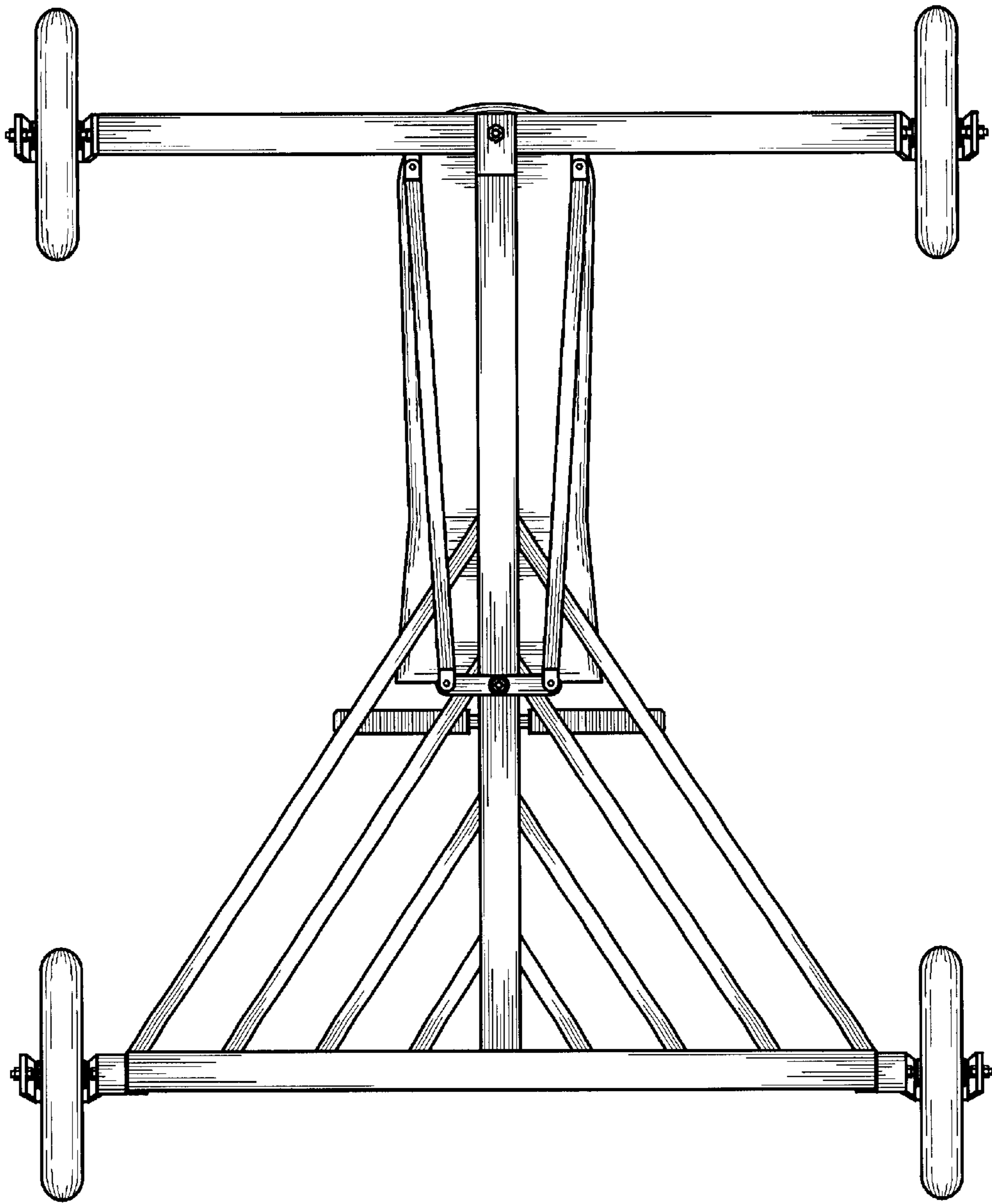


*FIG. 5*



**FIG. 6**





**FIG. 7**