



US00D448426B1

(12) **United States Design Patent**
Yu

(10) **Patent No.:** **US D448,426 S**

(45) **Date of Patent:** **** Sep. 25, 2001**

(54) **PROTECTIVE COVER WITH LIGHT FOR
HANDHELD ELECTRONIC GAMES**

(75) Inventor: **Man-Chiu Yu, Kowloon (CN)**

(73) Assignee: **Storm Electronics Company Limited,
Hong Kong (CN)**

(**) Term: **14 Years**

(21) Appl. No.: **29/129,263**

(22) Filed: **Sep. 11, 2000**

(30) **Foreign Application Priority Data**

Jun. 3, 2000 (HK) 0010706

(51) **LOC (7) Cl.** **21-01**

(52) **U.S. Cl.** **D21/333**

(58) **Field of Search** D21/332, 333,
D21/324; D14/400, 401, 432-435, 496;
273/148 B; 463/1, 30, 43-47; 362/109,
191, 234, 253, 396, 84, 85, 28; D26/60,
51, 24, 37

(56) **References Cited**

U.S. PATENT DOCUMENTS

D. 316,454 * 4/1991 Tortola et al. D26/24

D. 339,577 * 9/1993 Velinsky D14/435

D. 341,855 * 11/1993 Tortola et al. D21/385
D. 435,871 * 1/2001 Yu D21/333
4,312,507 * 1/1982 Smith et al. 273/237
4,589,659 * 5/1986 Yokoi et al. 463/34
4,893,222 * 1/1990 Mintzer 362/109
5,115,383 * 5/1992 Lee 463/47
5,325,280 * 6/1994 Tortola et al. 273/148 B

* cited by examiner

Primary Examiner—Prabhakar Deshmukh

(74) *Attorney, Agent, or Firm*—Alix, Yale & Ristas, LLP

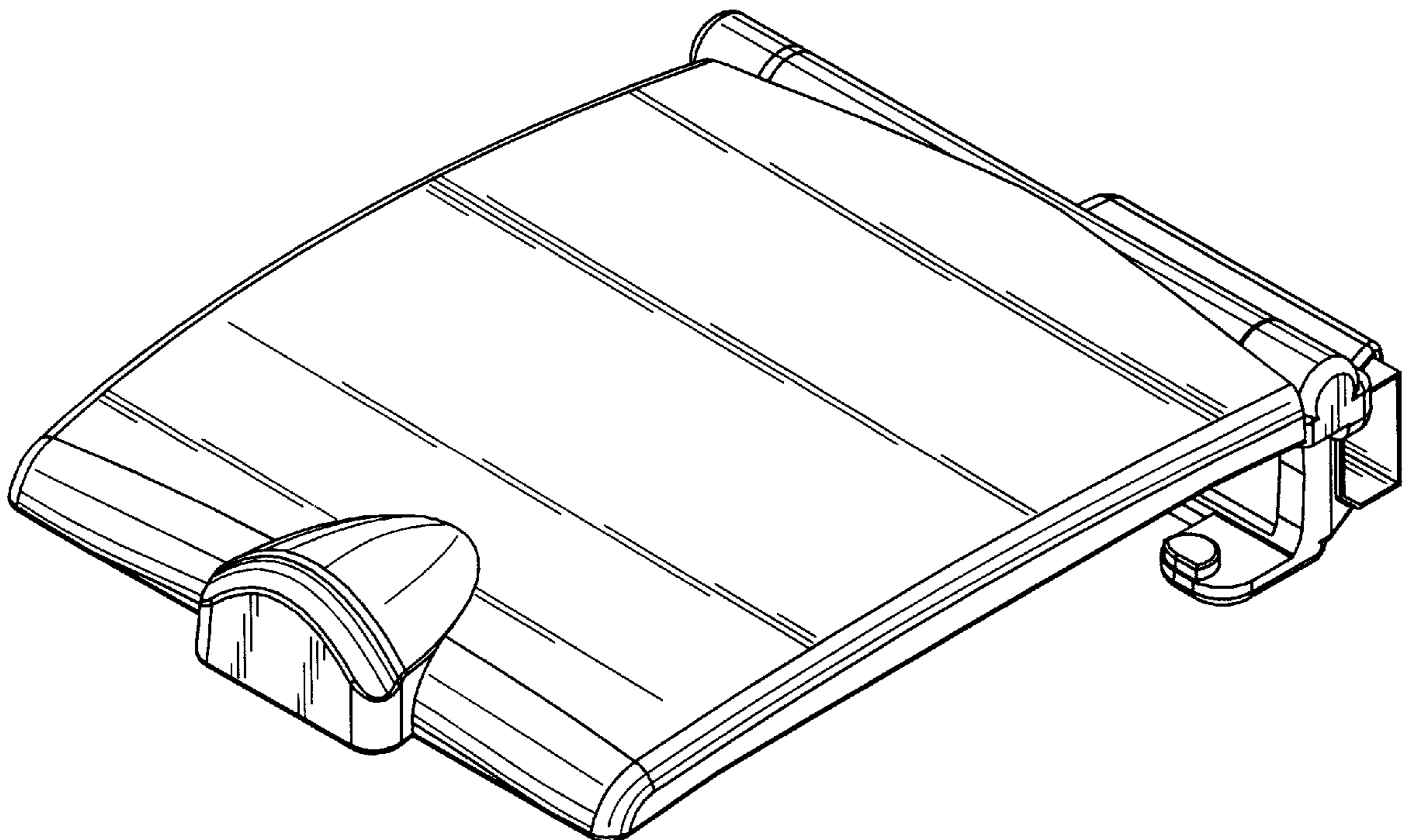
(57) **CLAIM**

The ornamental design for a protective cover with light for handheld electronic games, as shown and described.

DESCRIPTION

FIG. 1 is a perspective view of a protective cover with light for handheld electronic games showings my new design; FIG. 2 is a perspective view in alternative position thereof; FIG. 3 is a front elevational view thereof; FIG. 4 is a rear elevational view thereof; FIG. 5 is a right side elevational view thereof; FIG. 6 is a left side elevational view thereof; FIG. 7 is a top plan view thereof; and, FIG. 8 is a bottom plan view thereof.

1 Claim, 5 Drawing Sheets



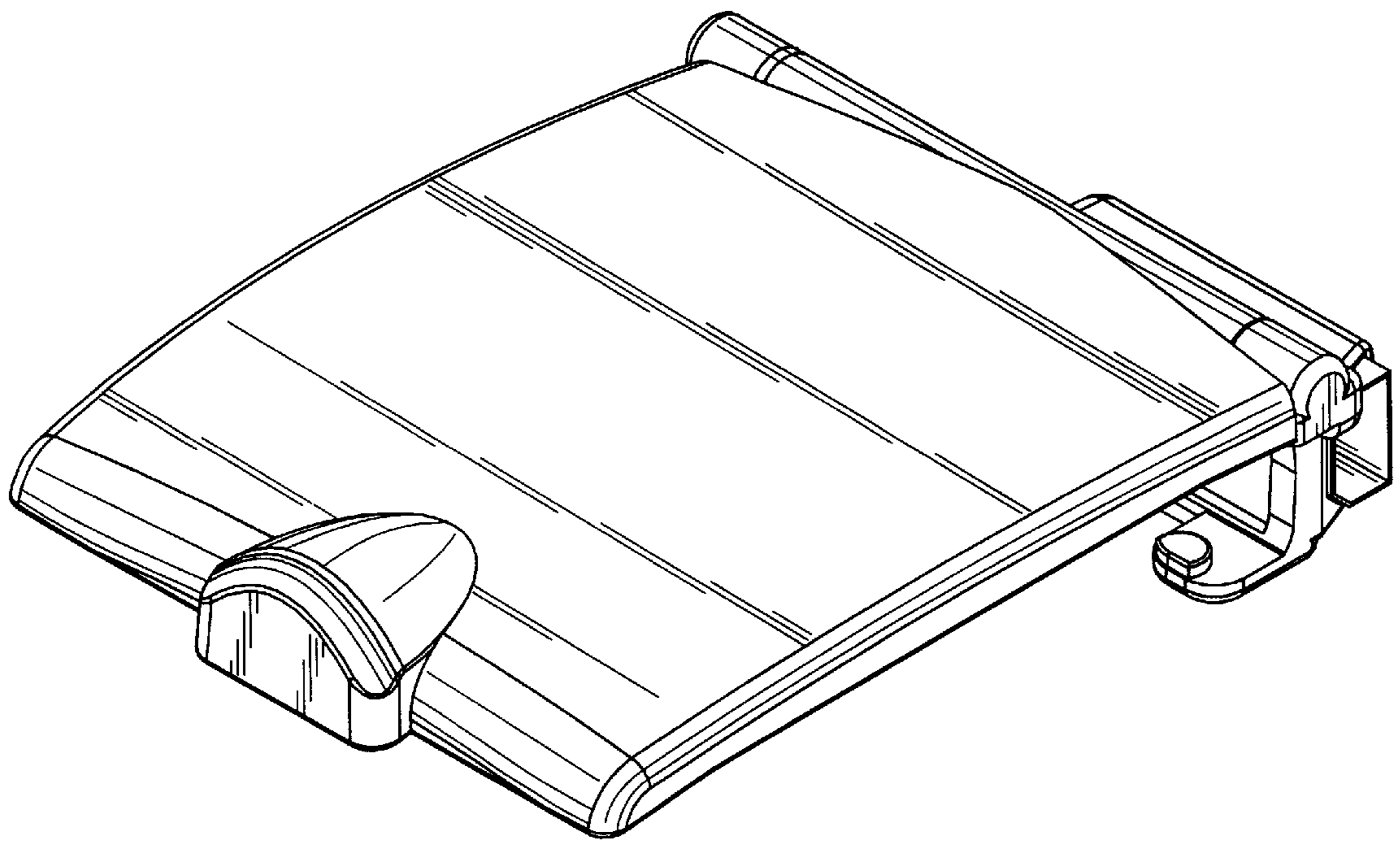


FIG. 1

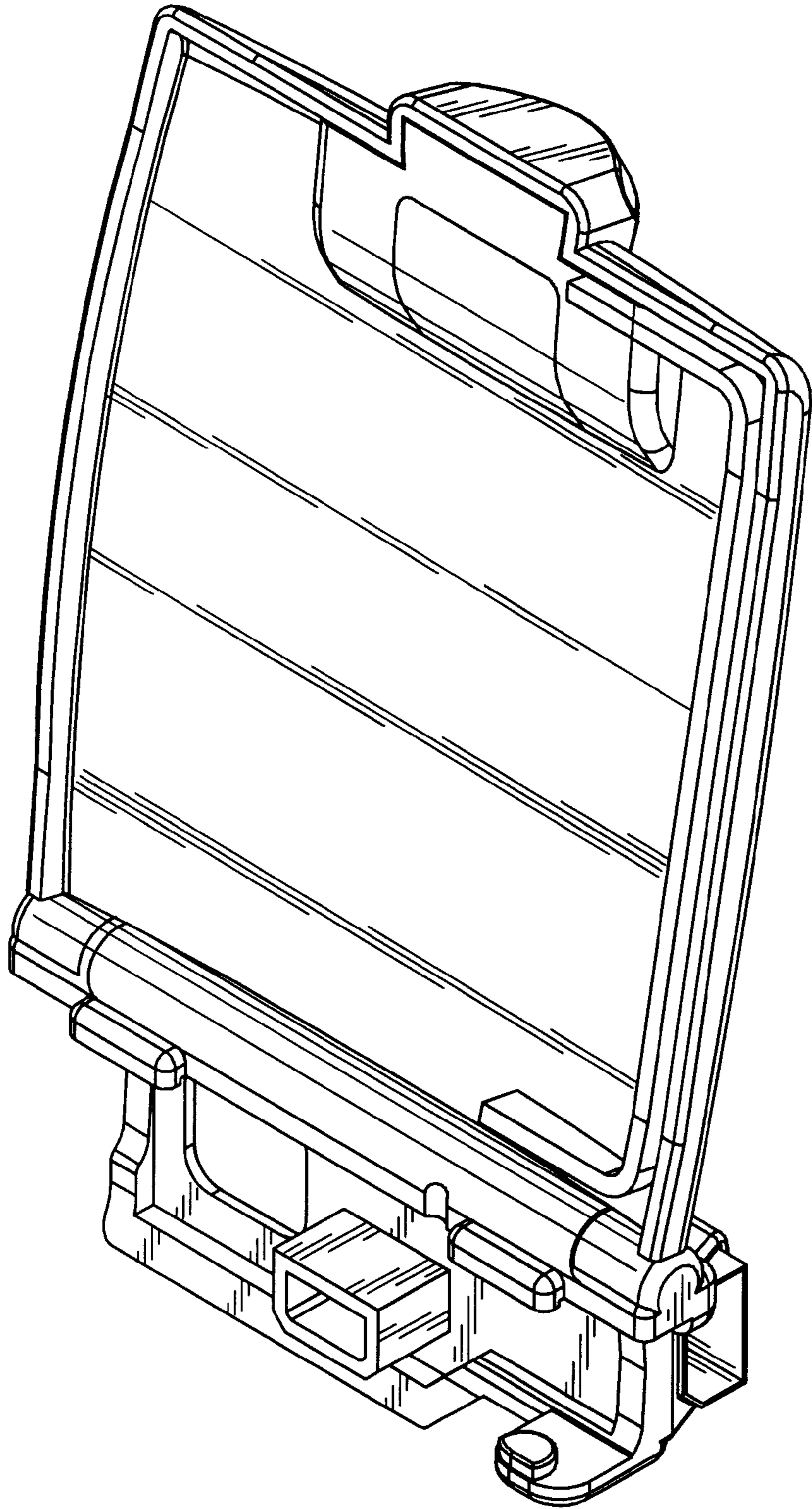


FIG. 2

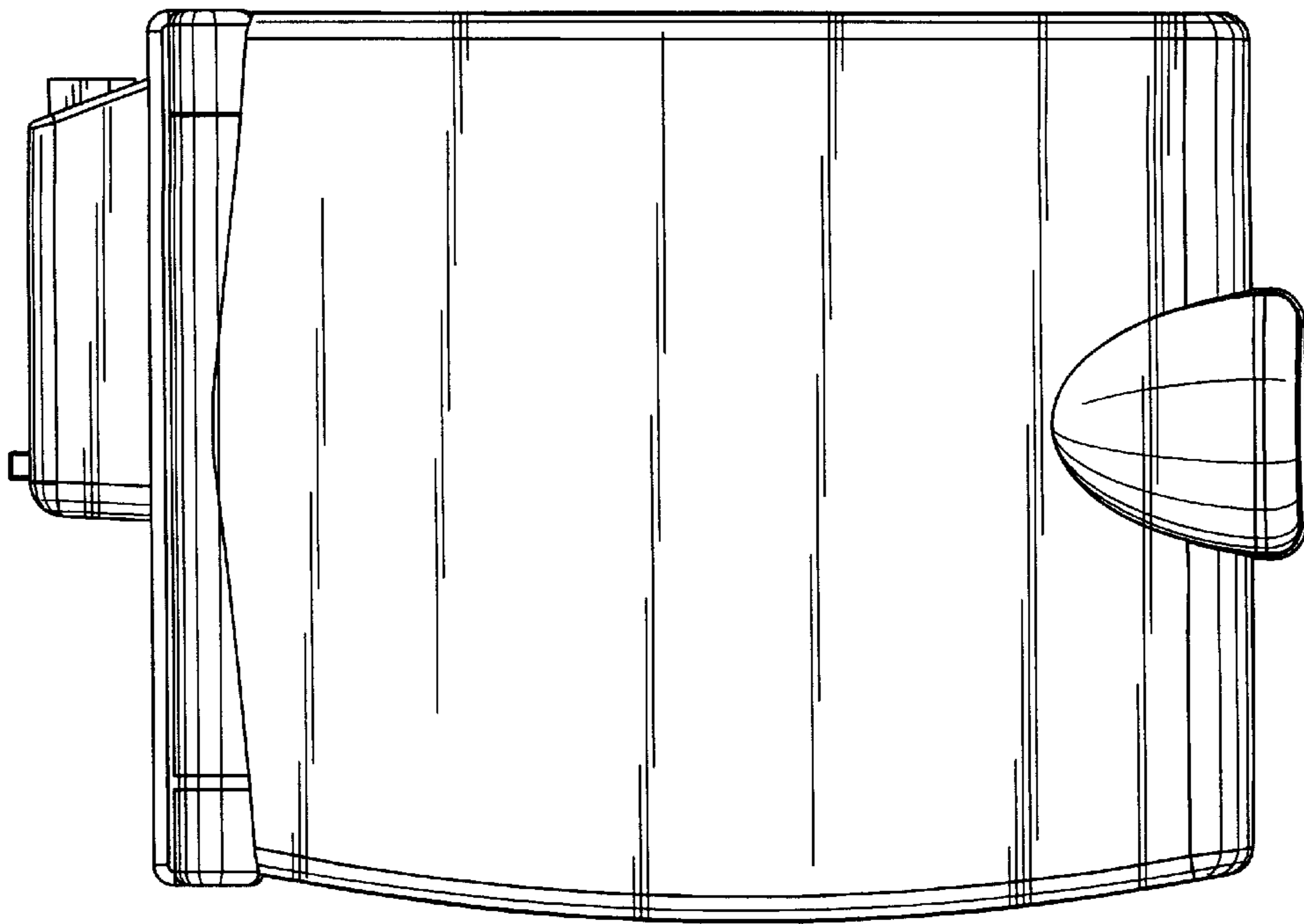


FIG. 3

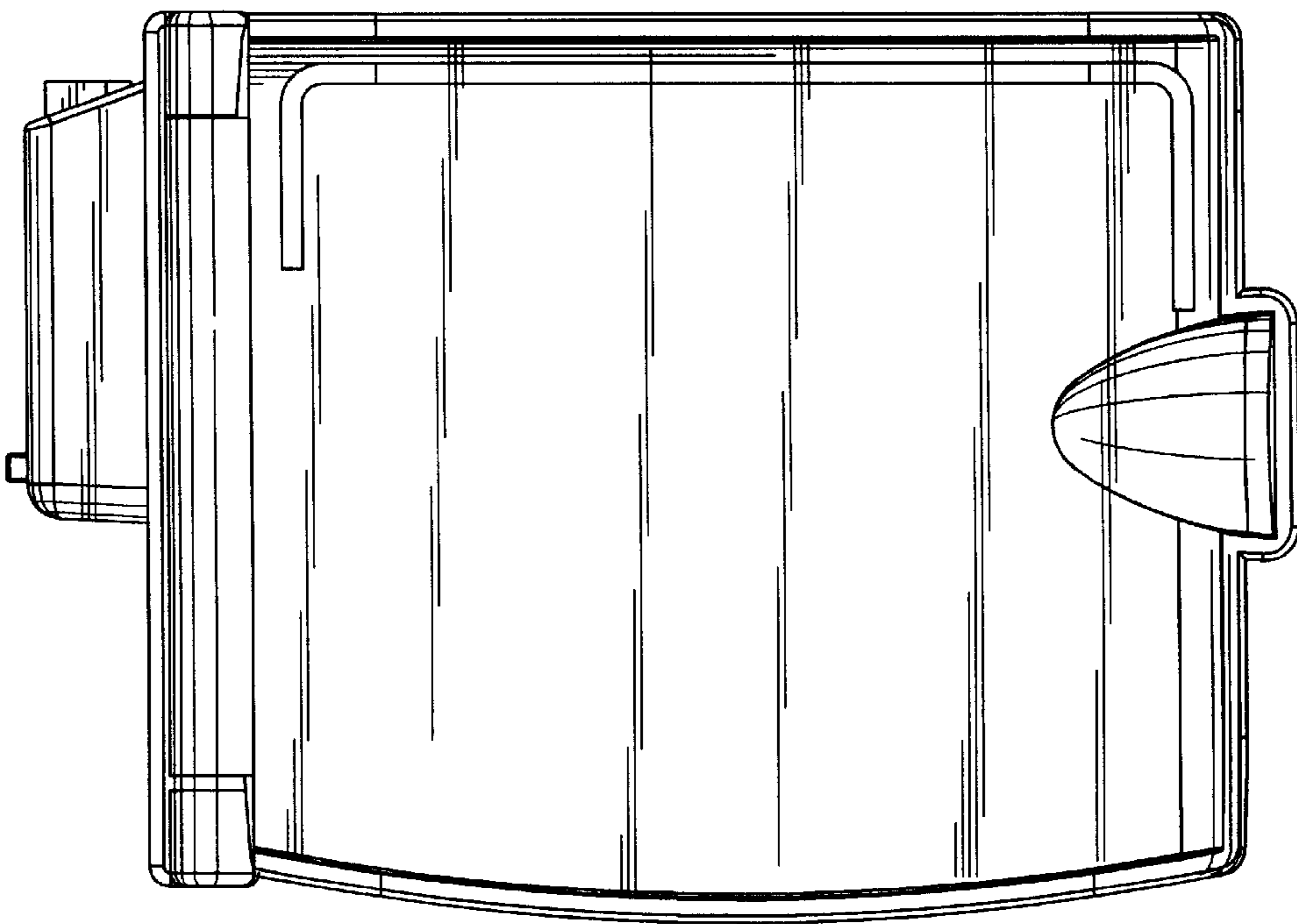


FIG. 4

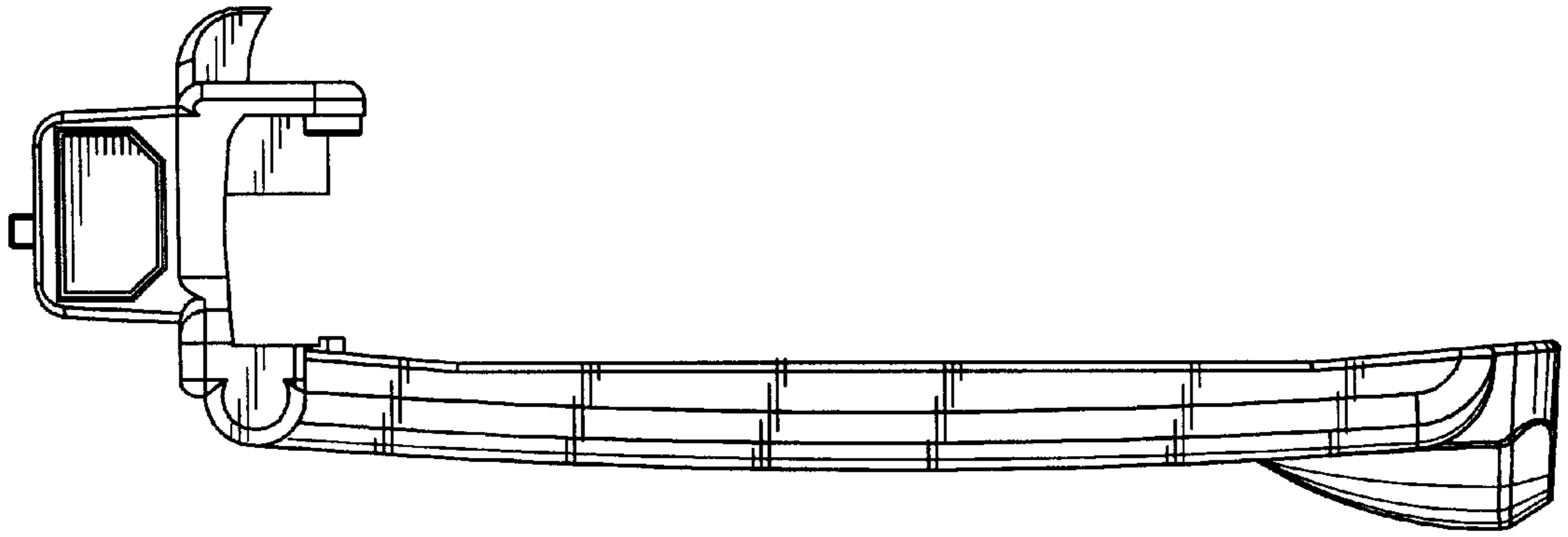


FIG. 5

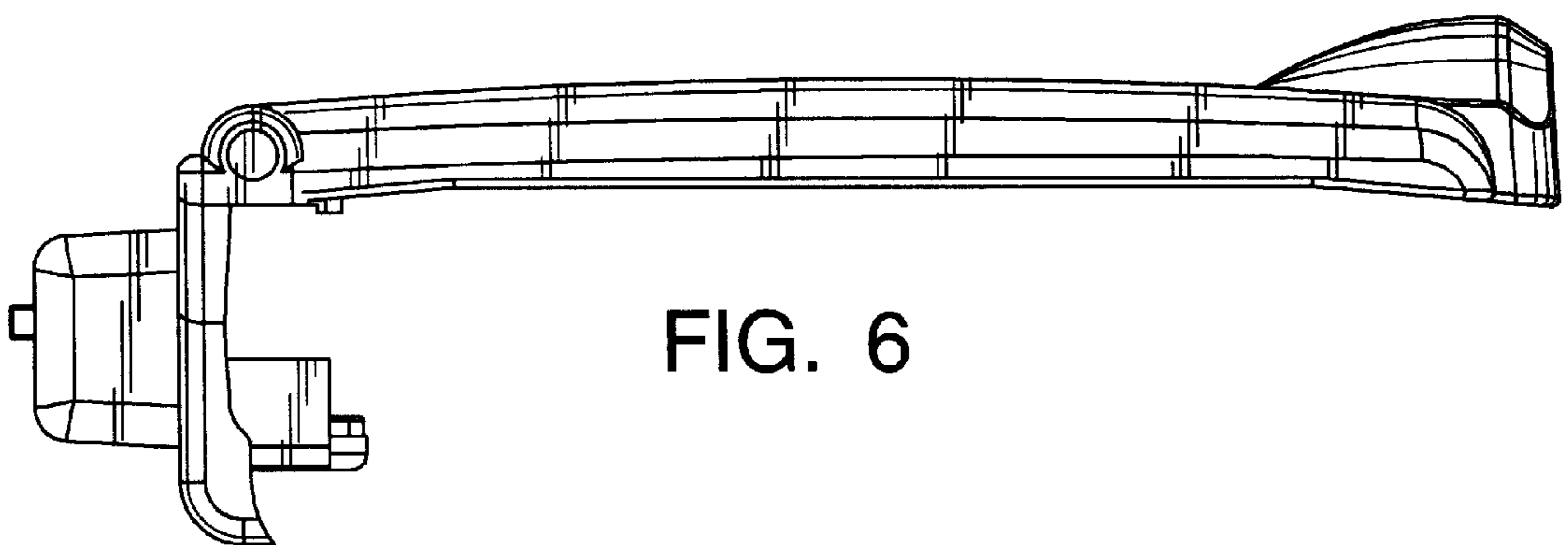


FIG. 6

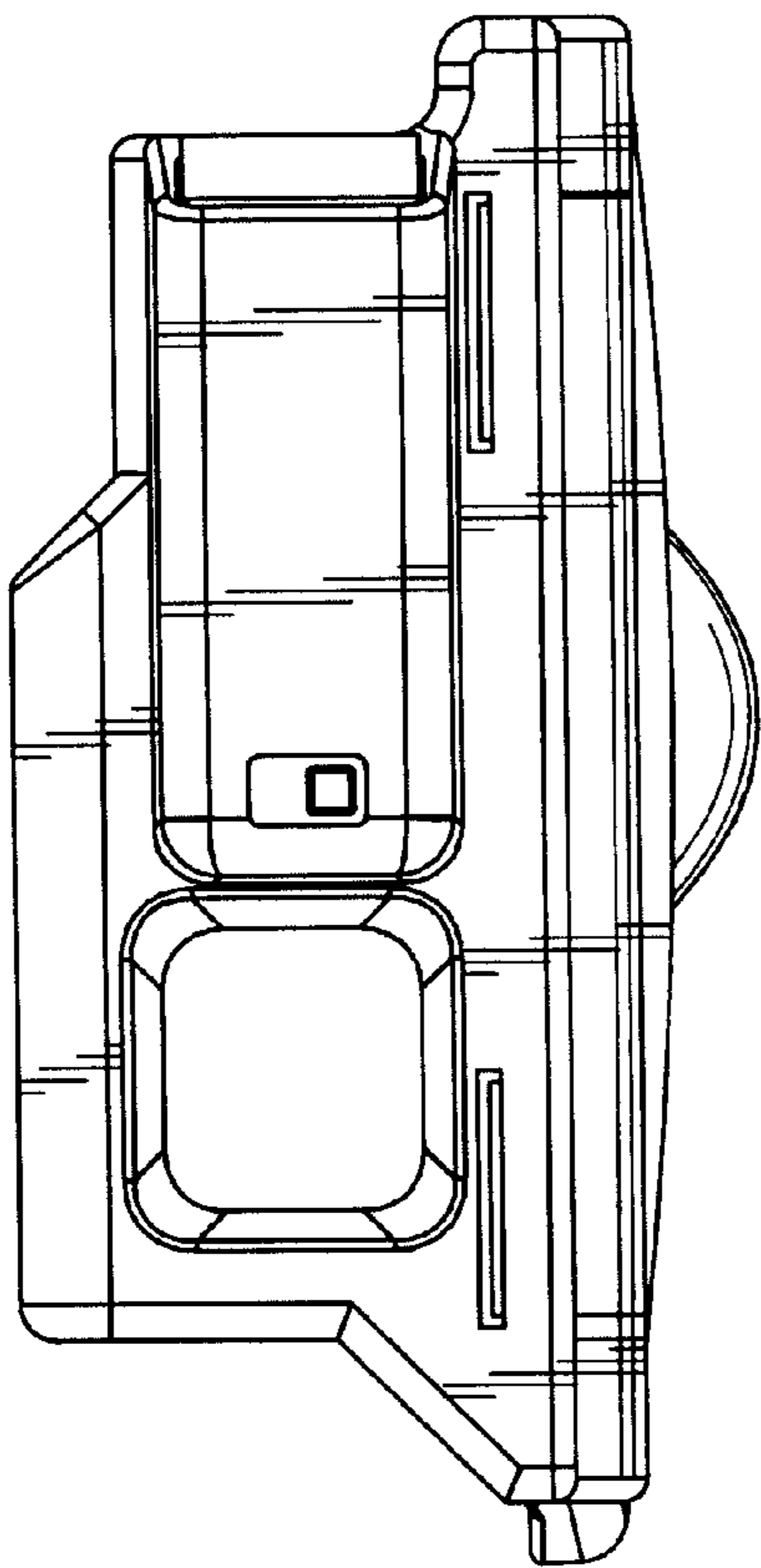


FIG. 7

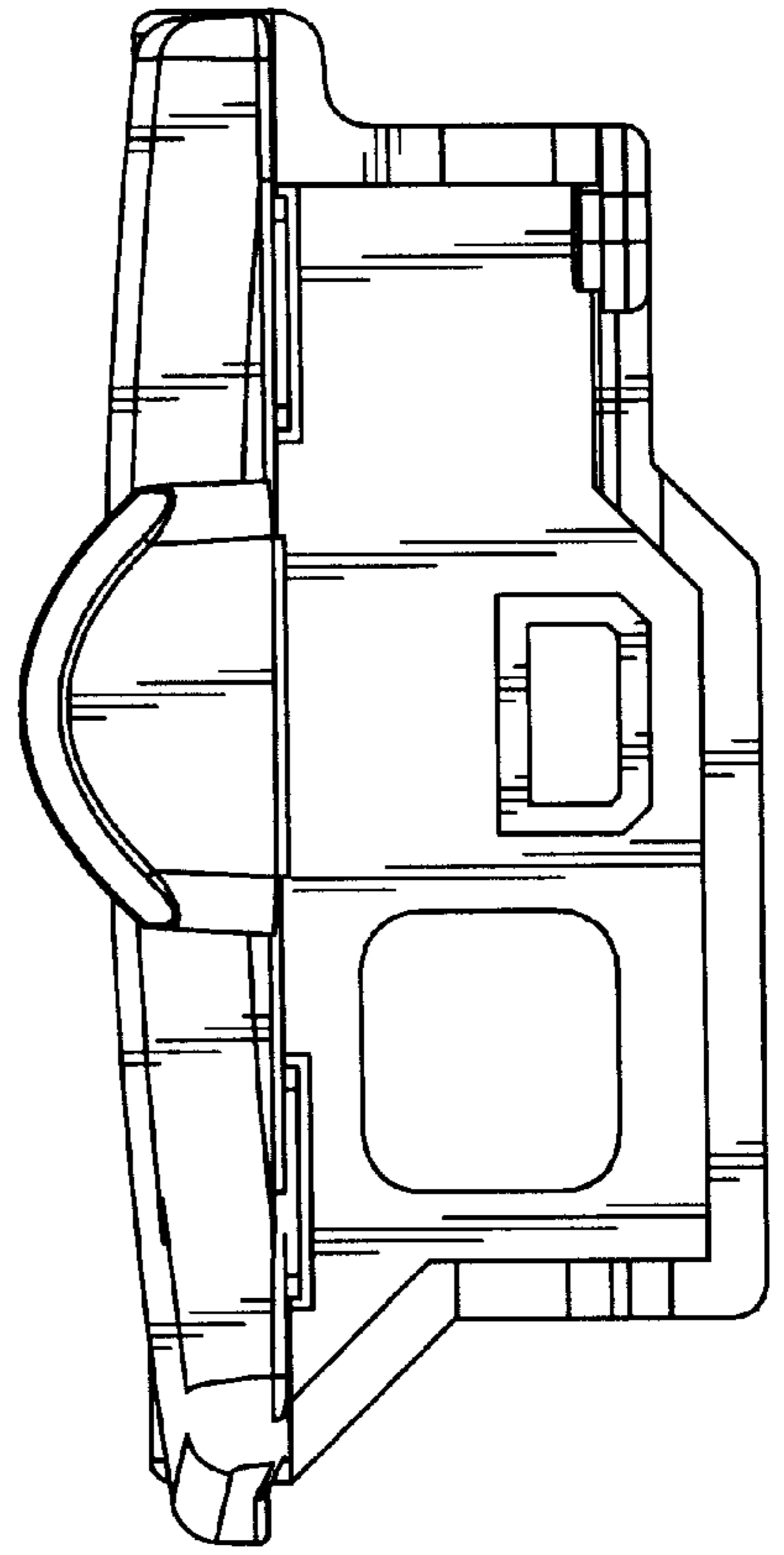


FIG. 8