



US00D448423B1

(12) **United States Design Patent**
Snowden

(10) **Patent No.:** **US D448,423 S**

(45) **Date of Patent:** **** Sep. 25, 2001**

(54) **BALANCING GAME**

(75) **Inventor:** **William R. Snowden**, Fitzgerald, GA
(US)

(73) **Assignees:** **Frances Hamrick**, Gainesville; **Brenda Robitzsch**, Fitzgerald, both of GA (US)

(**) **Term:** **14 Years**

(21) **Appl. No.:** **29/131,709**

(22) **Filed:** **Oct. 27, 2000**

(51) **LOC (7) Cl.** **21-01**

(52) **U.S. Cl.** **D21/300; D21/399**

(58) **Field of Search** **D21/399, 300;**
273/449, 450

(56) **References Cited**

U.S. PATENT DOCUMENTS

- D. 190,504 * 6/1961 Rosenfeld D21/399
- D. 291,331 * 8/1987 Holtsch D21/399

- D. 414,818 * 10/1999 Duggen D21/399
- 3,402,929 * 9/1968 Glass et al. 273/450
- 3,614,106 * 10/1971 Morrison et al. 273/449
- 3,810,624 * 5/1974 McNemar 273/450
- 6,164,654 * 12/1998 Tricomi 273/450

* cited by examiner

Primary Examiner—Dominic Simone

(74) *Attorney, Agent, or Firm*—Rodgers & Rodgers

(57) **CLAIM**

The ornamental design for a balancing game, as shown.

DESCRIPTION

FIG. 1 is a perspective view of a balancing game showing my new design;

FIG. 2 is a left side elevational view thereof;

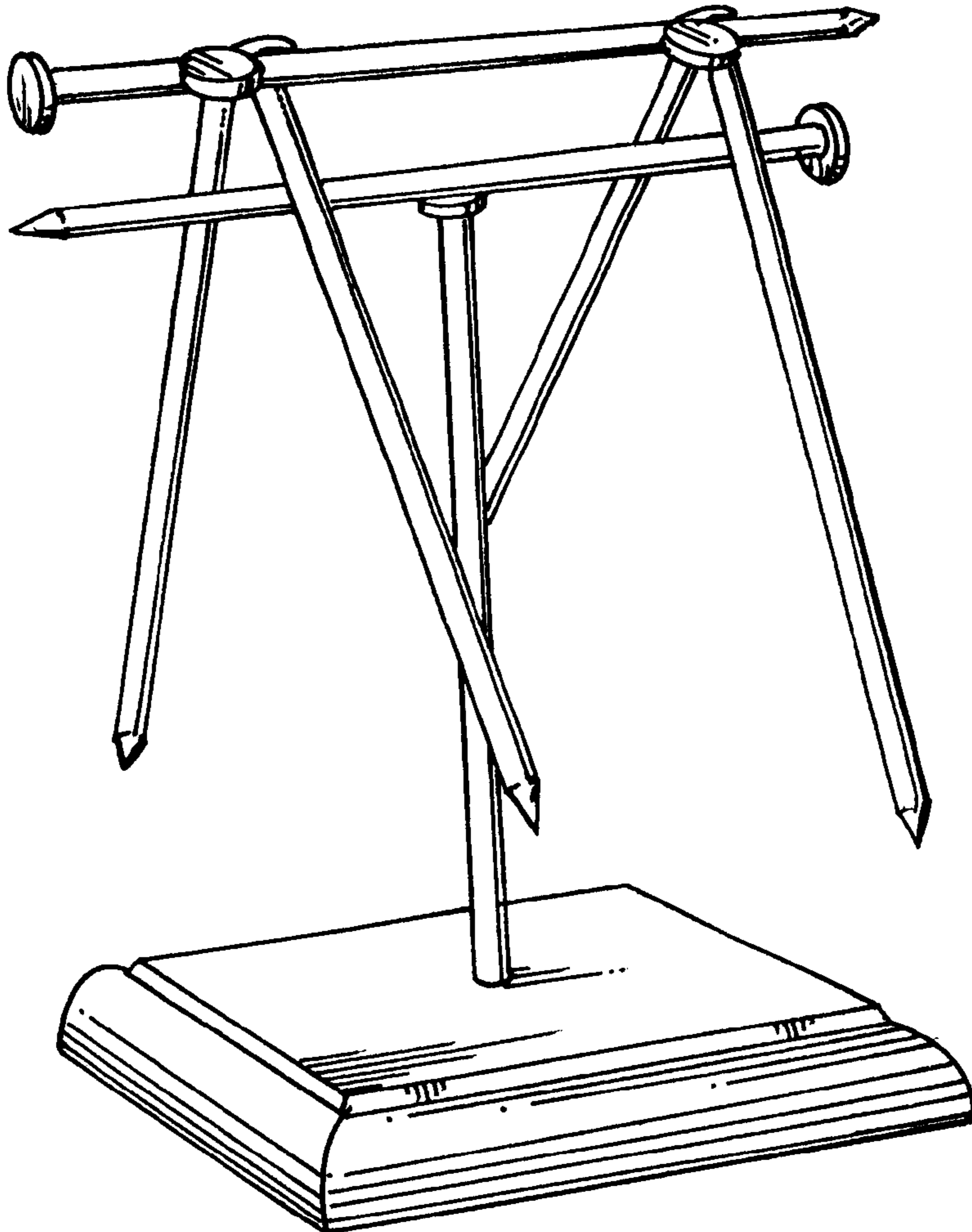
FIG. 3 is a front elevational view thereof;

FIG. 4 is a rear elevational view thereof;

FIG. 5 is a right side elevational view thereof; and,

FIG. 6 is a top plan view thereof.

1 Claim, 3 Drawing Sheets



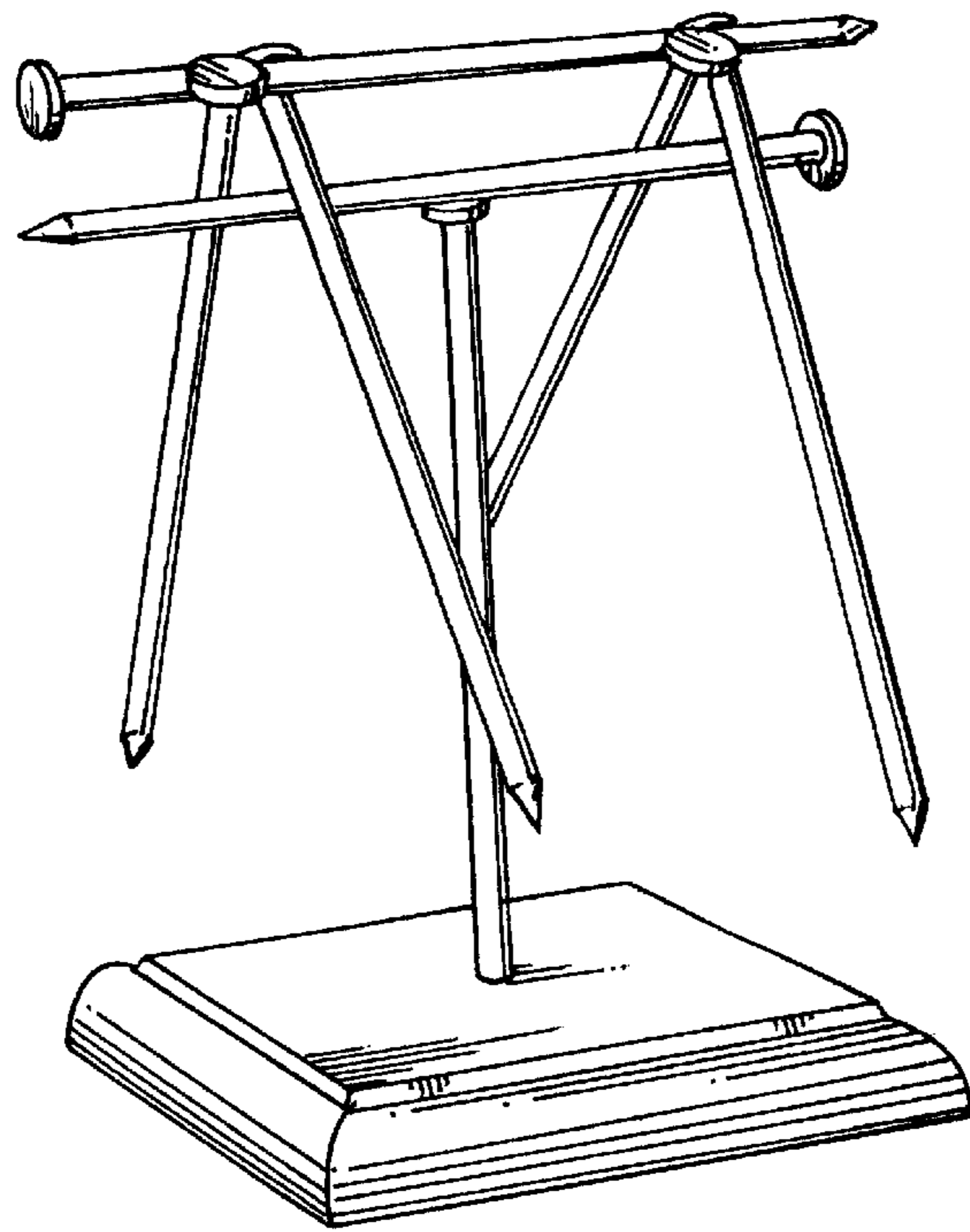


FIG. 1

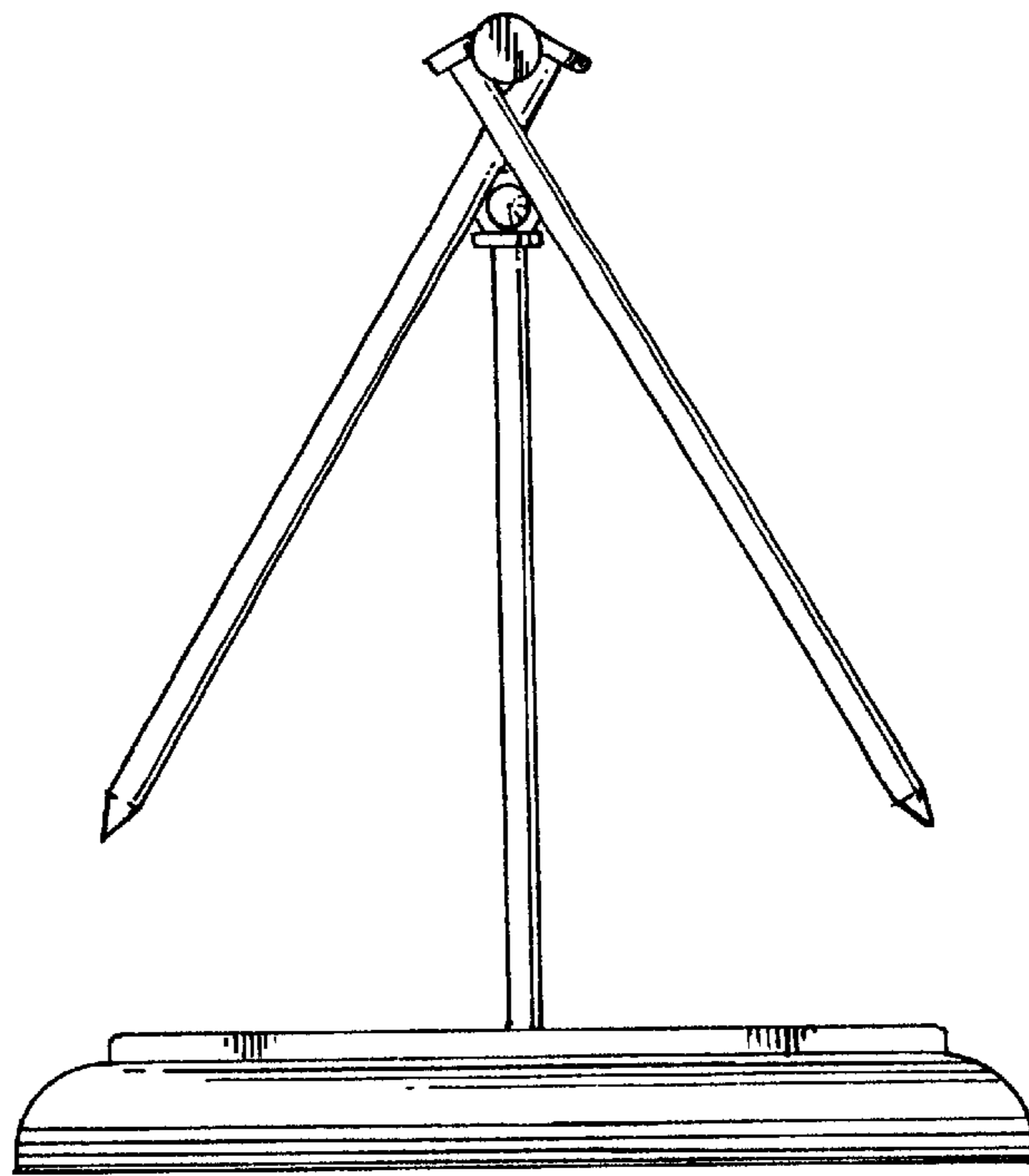


FIG. 2

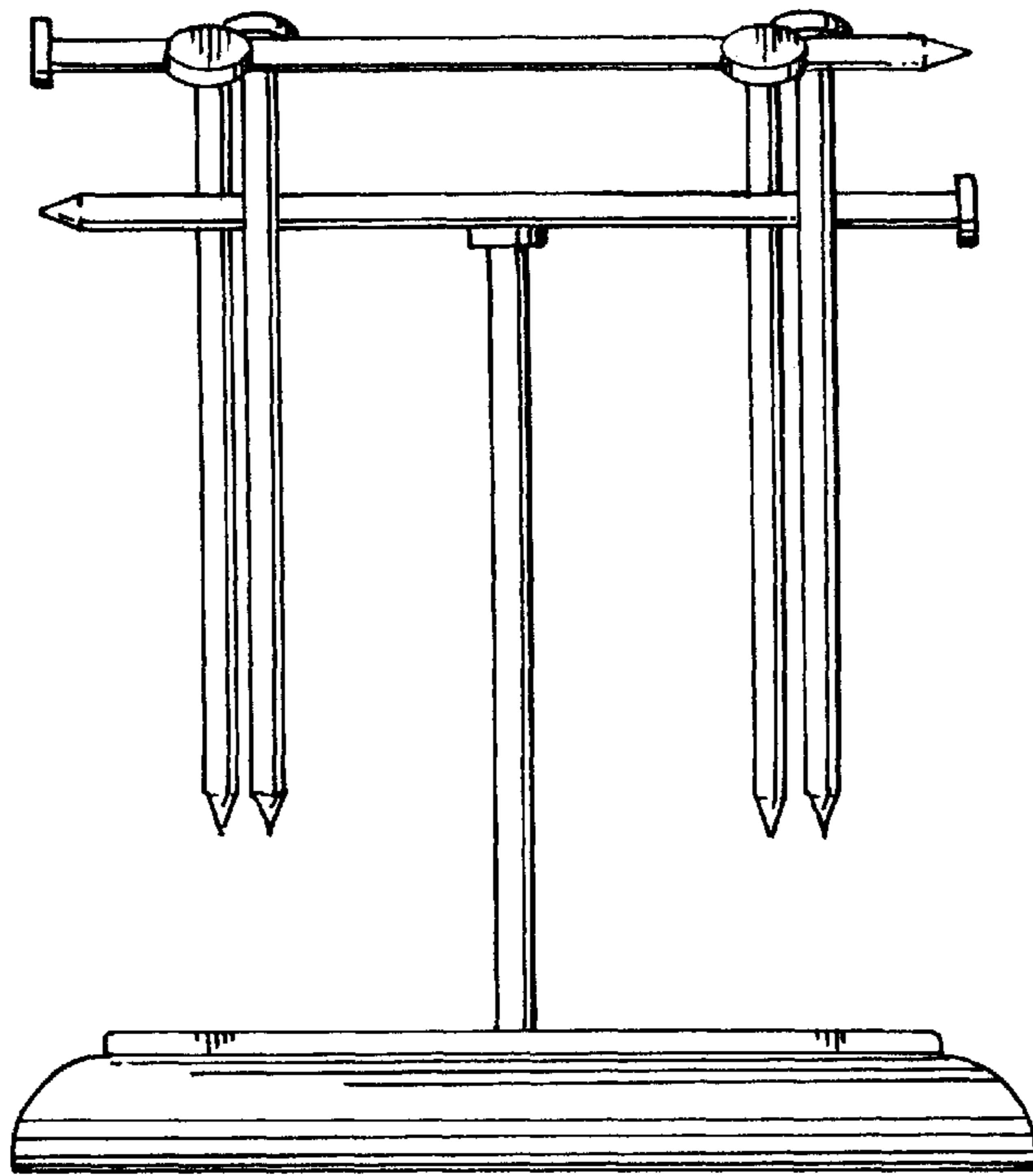


FIG. 3

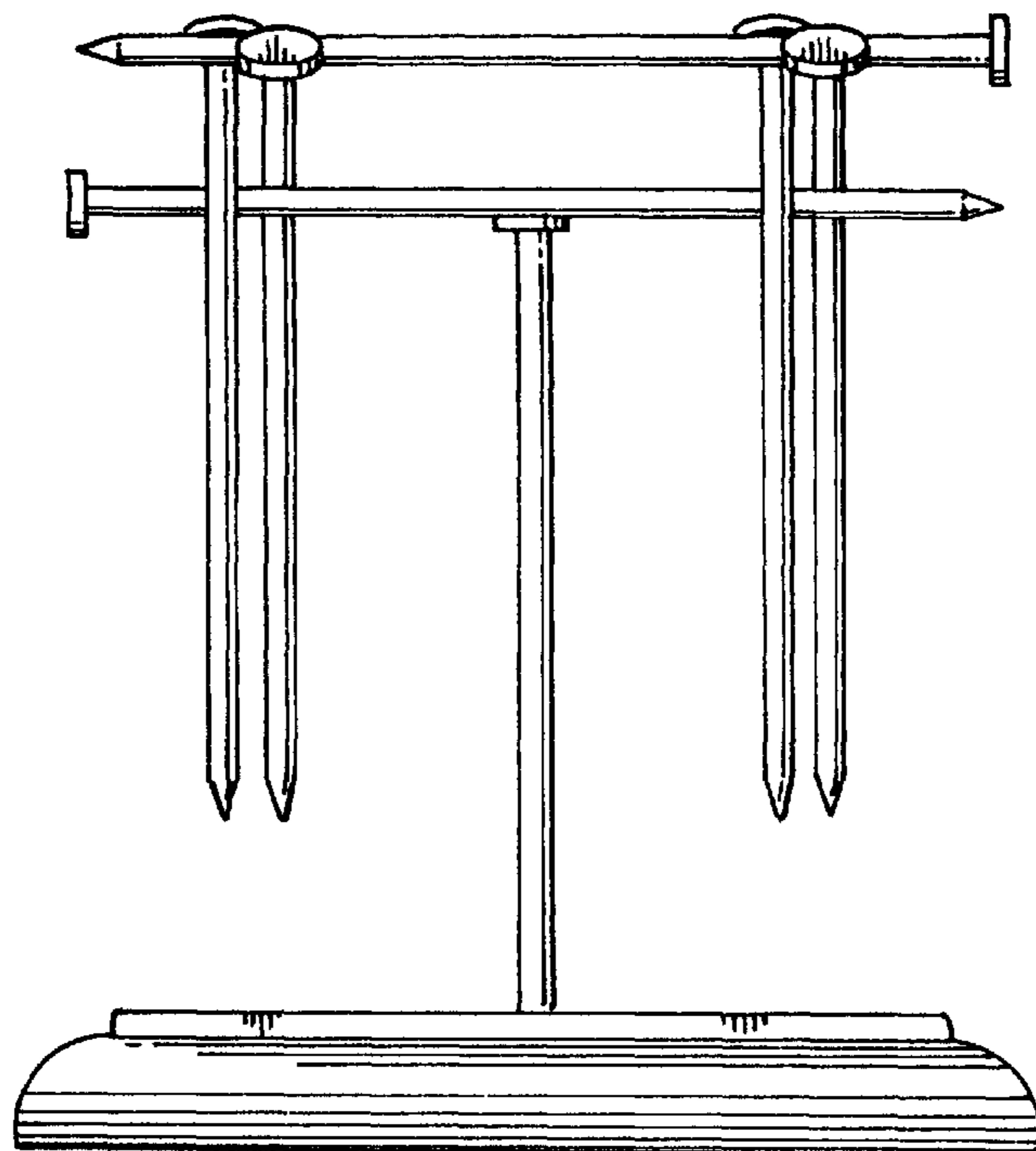


FIG. 4

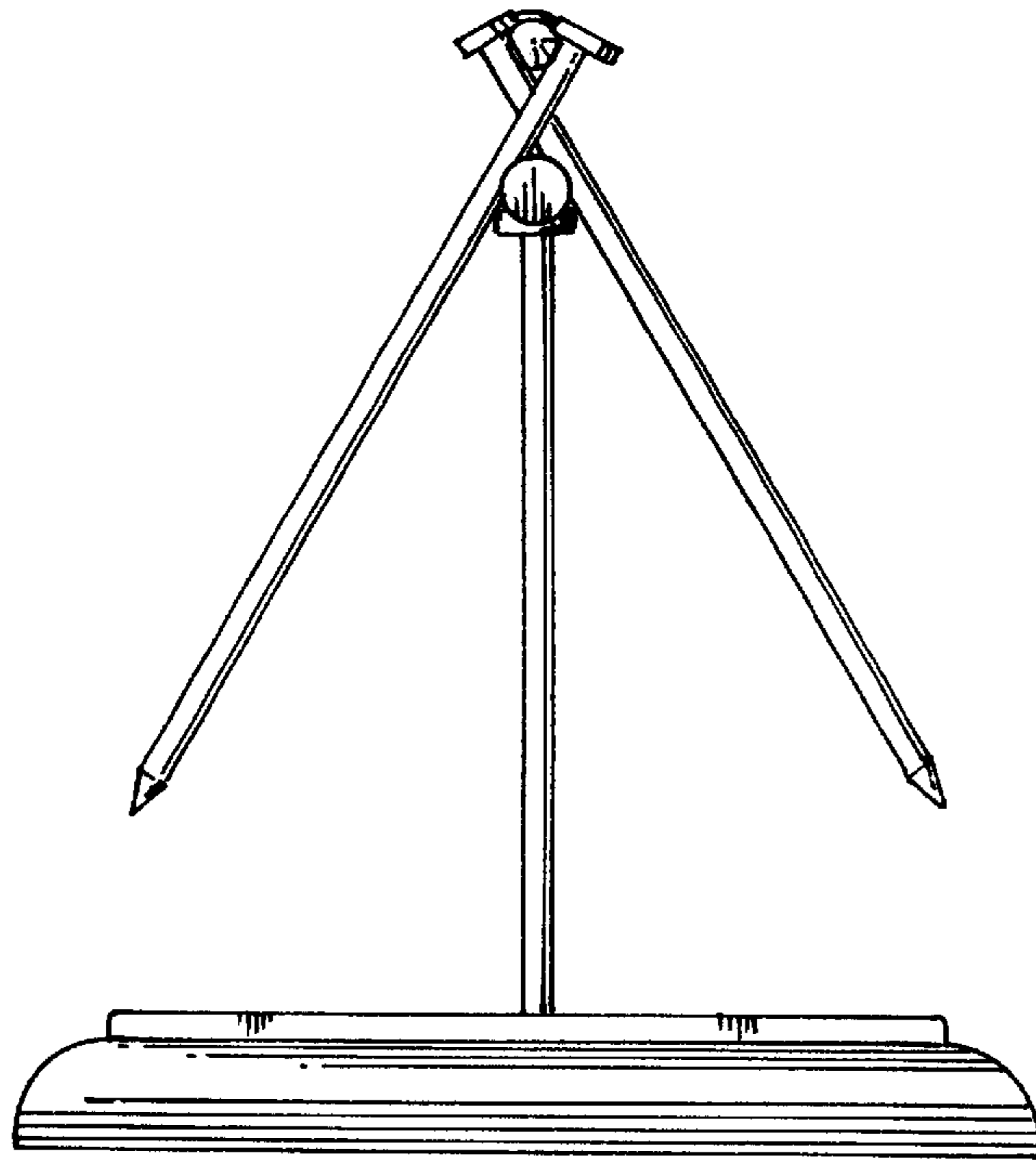


FIG. 5

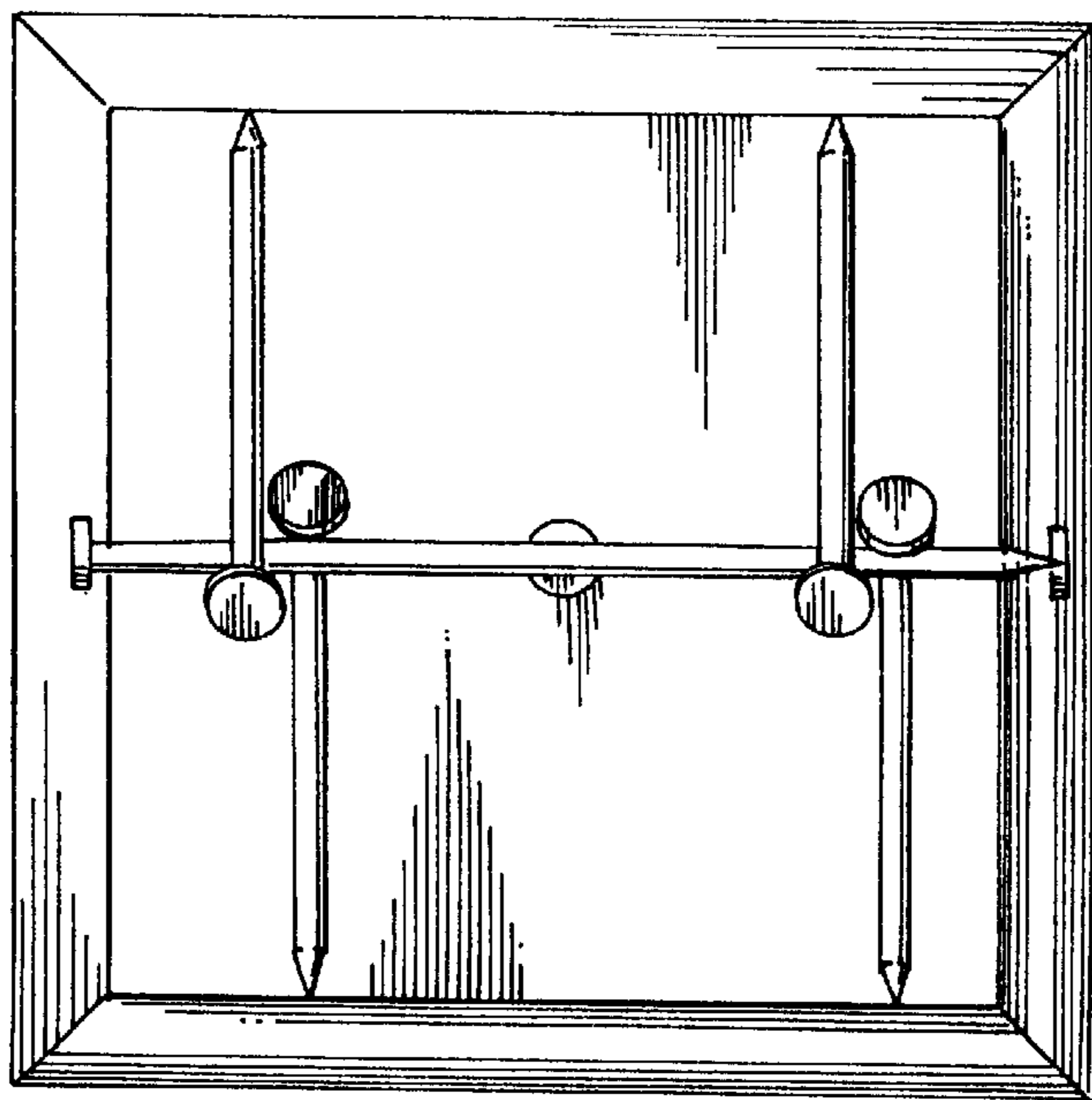


FIG. 6