



US00D448416B1

(12) **United States Design Patent**  
**Kimura**

(10) **Patent No.:** **US D448,416 S**  
(45) **Date of Patent:** **\*\* Sep. 25, 2001**

(54) **ADHESIVE TAPE DISPENSER**

**FOREIGN PATENT DOCUMENTS**

- (75) Inventor: **Shigeru Kimura**, Tokorozawa (JP)
- (73) Assignee: **Tombow Pencil Co., Ltd.**, Tokyo (JP)
- (\*\*) Term: **14 Years**
- (21) Appl. No.: **29/140,199**
- (22) Filed: **Apr. 13, 2001**

- 906837 9/1994 (JP) .
- 939875 11/1995 (JP) .
- 952854 5/1996 (JP) .
- 952855 5/1996 (JP) .
- 960821 8/1996 (JP) .
- 947857 9/1996 (JP) .
- 962857 9/1996 (JP) .
- 969362 11/1996 (JP) .
- 972341 1/1997 (JP) .
- 972347 1/1997 (JP) .
- 1000904 1/1998 (JP) .
- 1009307 5/1998 (JP) .
- 1010657 5/1998 (JP) .
- 1029264 1/1999 (JP) .
- 1041138 6/1999 (JP) .
- 1047279 8/1999 (JP) .
- 1047575 8/1999 (JP) .
- 1053386 11/1999 (JP) .
- 1057693 1/2000 (JP) .
- 1059863 2/2000 (JP) .
- 1061877 2/2000 (JP) .

**Related U.S. Application Data**

- (62) Division of application No. 29/123,028, filed on May 9, 2000.

(30) **Foreign Application Priority Data**

- Nov. 10, 1999 (JP) ..... 11-31041
- Nov. 10, 1999 (JP) ..... 11-31042

- (51) **LOC (7) Cl.** ..... **19-02**
- (52) **U.S. Cl.** ..... **D19/69; D19/67**
- (58) **Field of Search** ..... D19/65, 67-69, D19/72, 89, 95, 99, 100; 156/523, 527, 327, 486, 577; 225/6, 7, 11, 12, 19, 22, 25, 34, 35, 45, 56, 74, 77, 89; 242/588, 588.1, 588.6, 590

**OTHER PUBLICATIONS**

Shigeru Kimura, co-pending and commonly assigned U.S. application No. 29/123,036, entitled "Casing for an Adhesive Tape Dispenser," filed May 9, 2000, now U.S. Pat. No. Des. 441,794, in its entirety.

\* cited by examiner

*Primary Examiner*—Martie K. Holtje  
(74) *Attorney, Agent, or Firm*—Butler, Snow, O'Mara, Stevens & Cannada, PLLC

(56) **References Cited**

**U.S. PATENT DOCUMENTS**

- D. 364,644 \* 11/1995 Watanabe et al. .... D19/69
- D. 366,281 \* 1/1996 Sakanishi et al. .... D19/69
- D. 378,532 3/1997 Suzuki ..... D19/69
- D. 396,061 \* 7/1998 Thompson et al. .... D19/69
- D. 400,923 11/1998 Katami ..... D19/69
- D. 407,438 \* 3/1999 Kelders et al. .... D19/69
- D. 424,619 5/2000 Katami ..... D19/69
- D. 433,449 \* 11/2000 Fujiwara ..... D19/53
- D. 435,595 \* 12/2000 Kimura ..... D19/69
- D. 441,794 \* 5/2001 Kimura ..... D19/69
- 4,486,263 \* 12/1984 Gomez ..... 156/523
- 4,997,512 \* 3/1991 Manusch ..... 156/523 X
- 5,707,482 \* 1/1998 Fusselman ..... 156/577

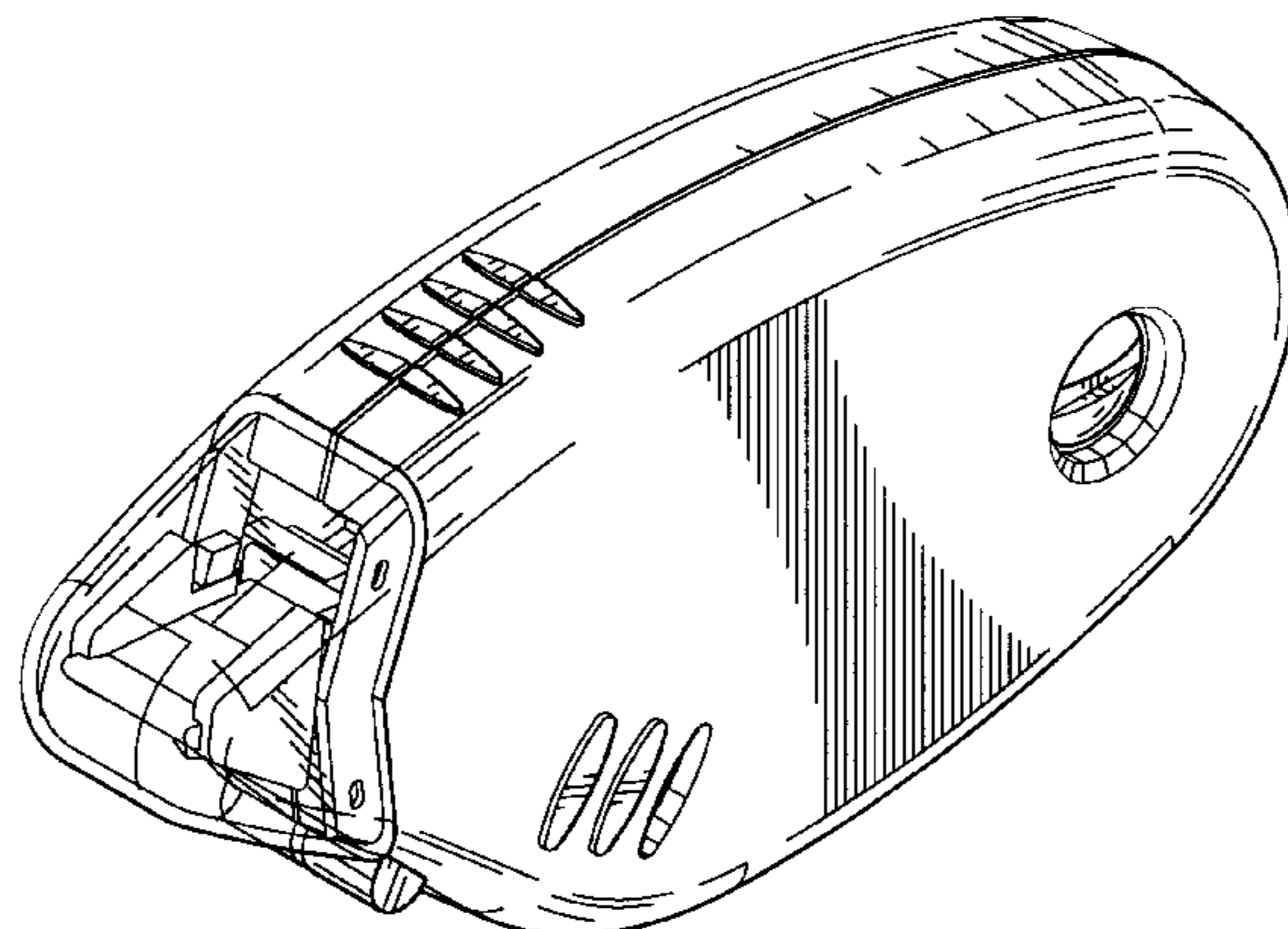
(57) **CLAIM**

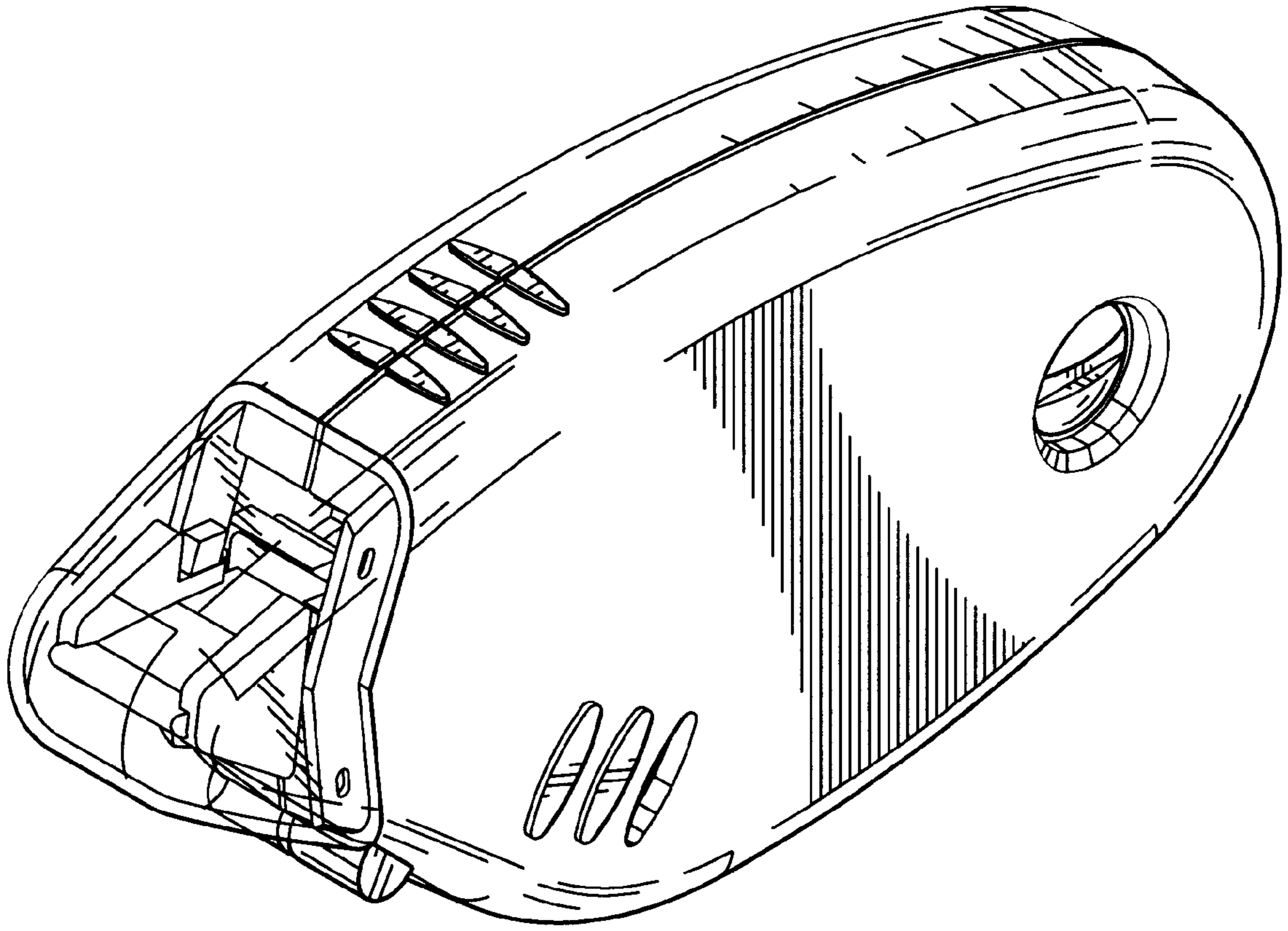
The ornamental design for an adhesive tape dispenser, as shown and described.

**DESCRIPTION**

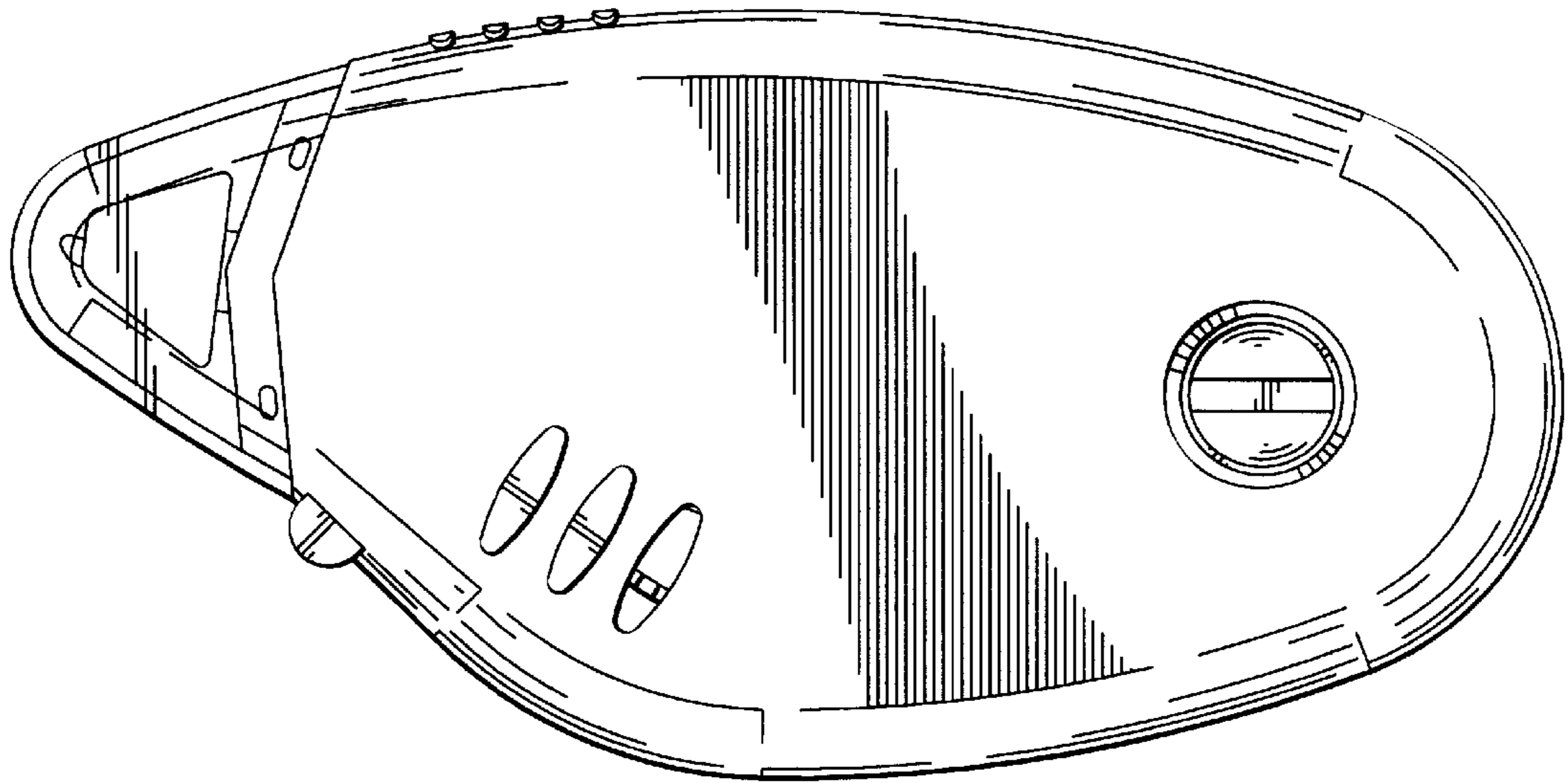
FIG. 1 is a perspective view of an adhesive tape dispenser showing my new design;  
FIG. 2 is a front view of FIG. 1;  
FIG. 3 is a rear view of FIG. 1;  
FIG. 4 is a right-side view of FIG. 1;  
FIG. 5 is a left-side view of FIG. 1;  
FIG. 6 is a top view of FIG. 1; and,  
FIG. 7 is a bottom view of FIG. 1.

**1 Claim, 3 Drawing Sheets**

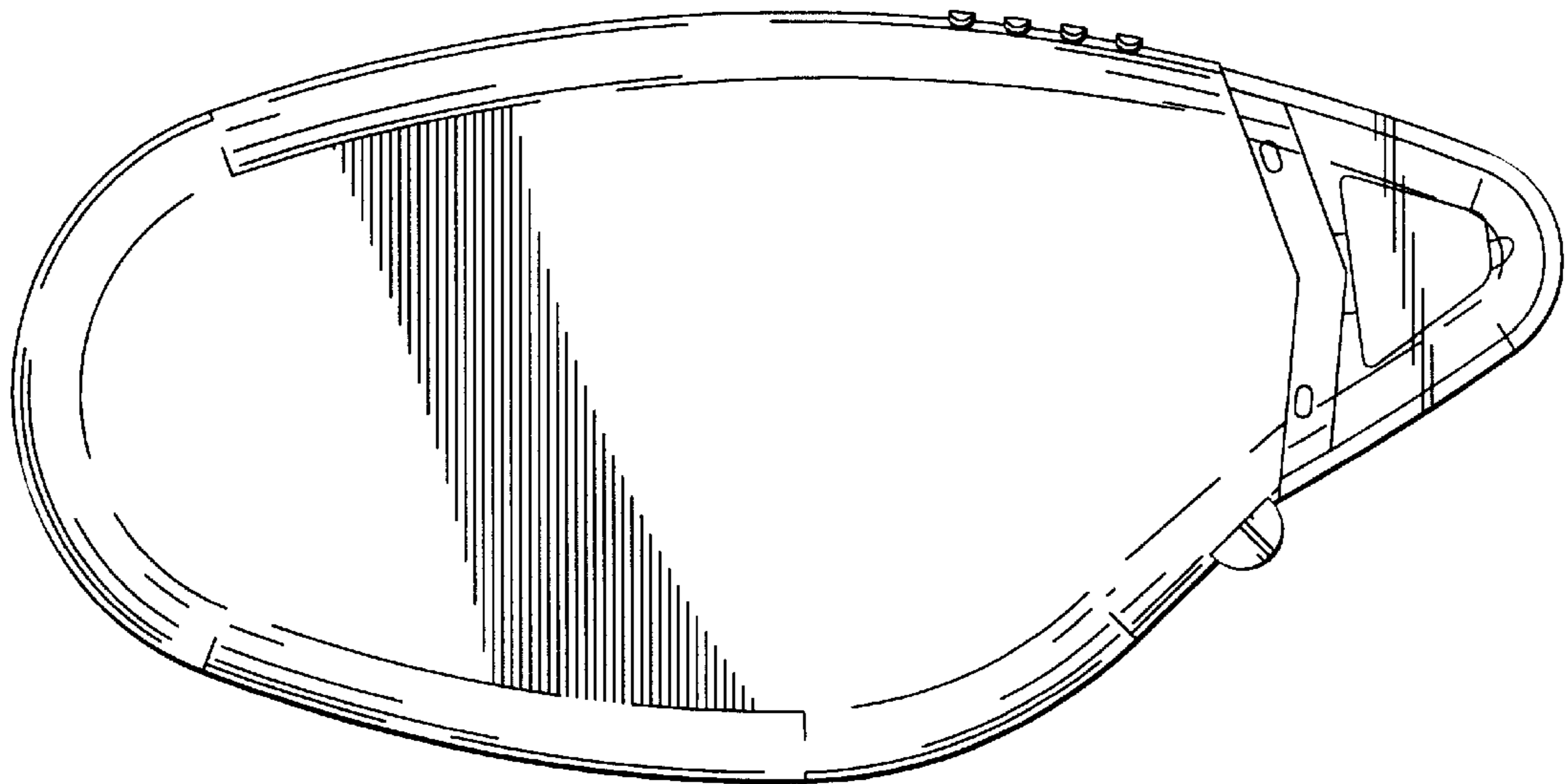




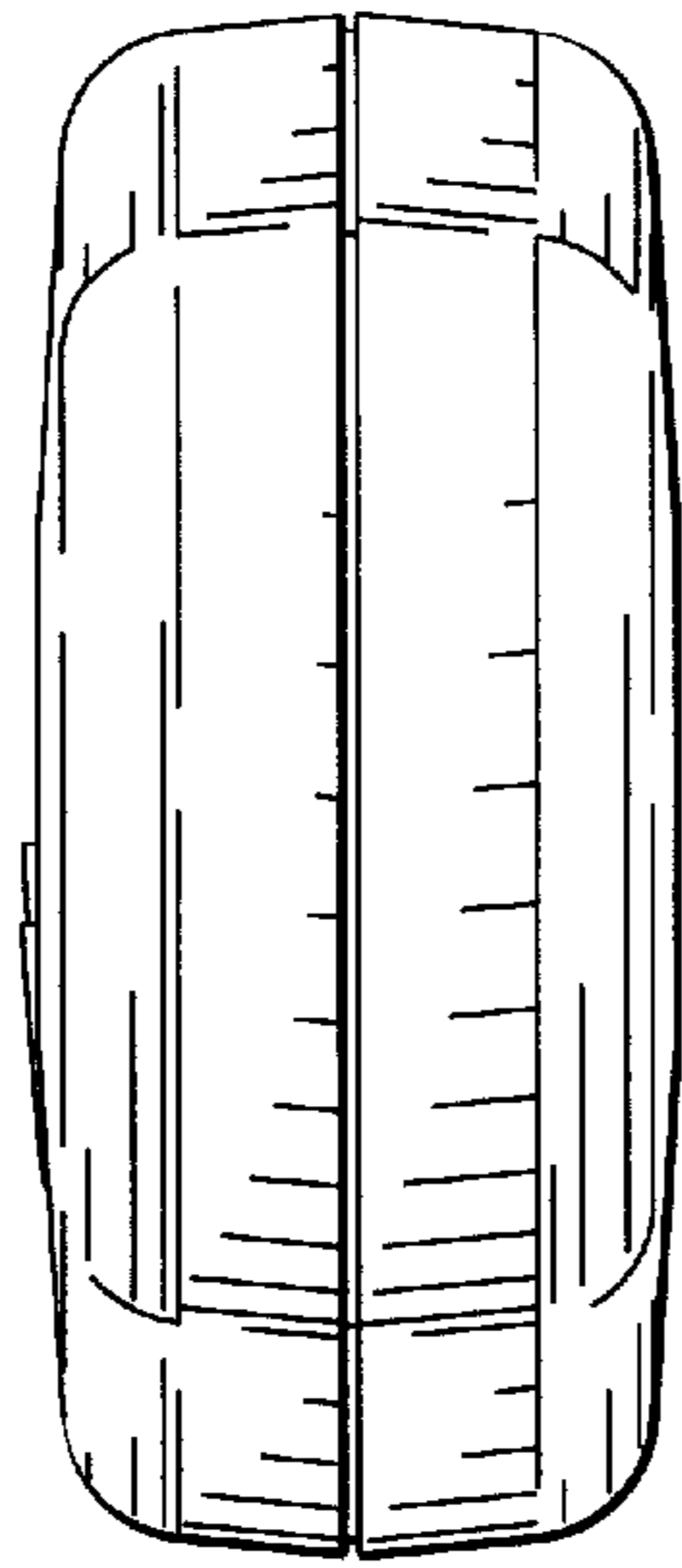
**FIG 1**



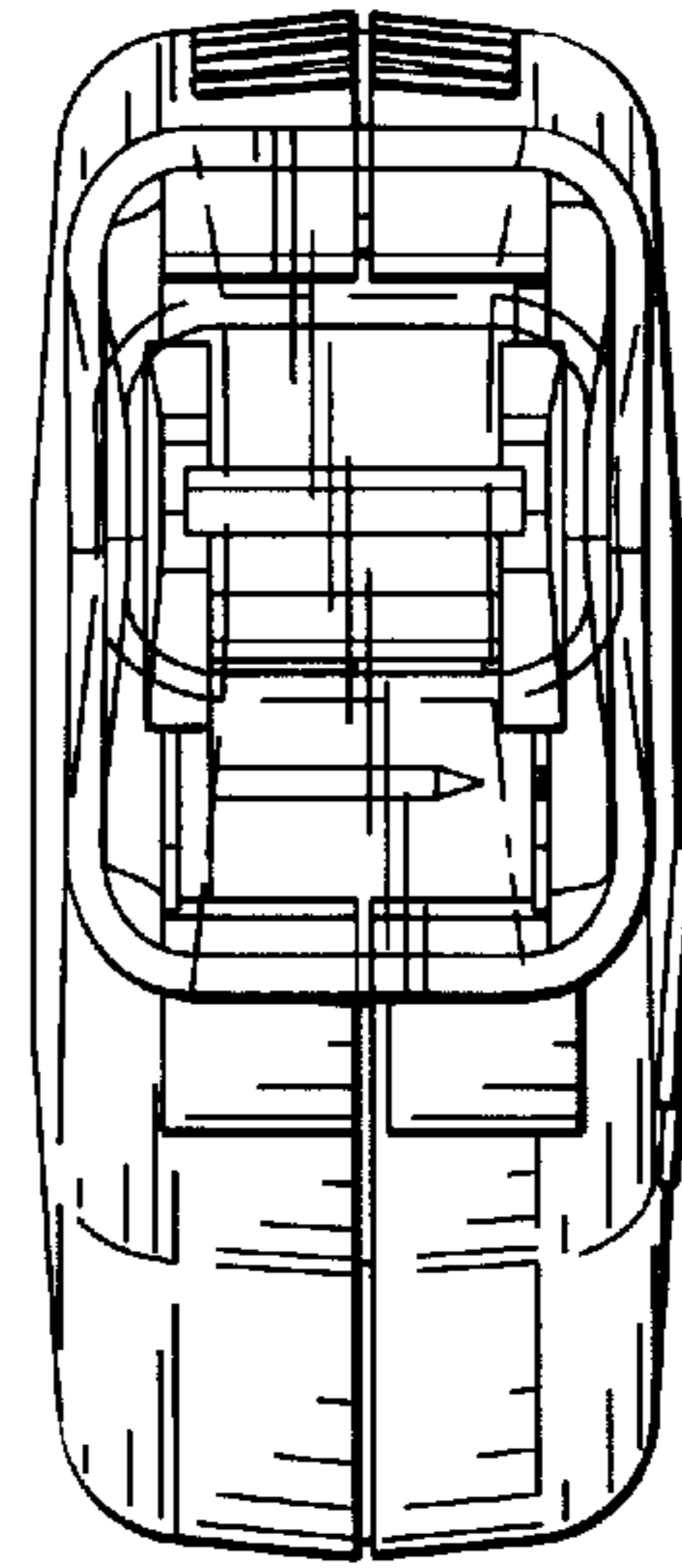
**FIG 2**



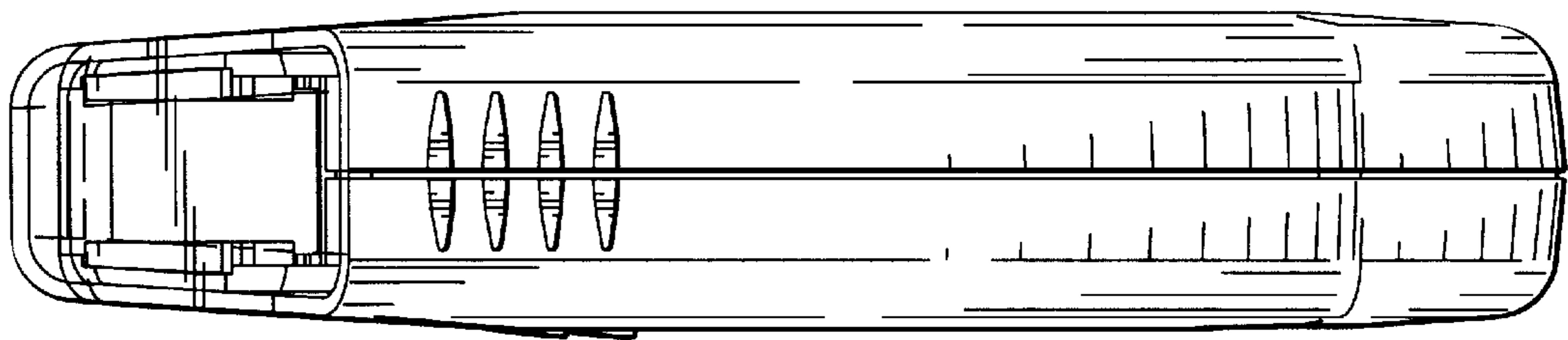
**FIG 3**



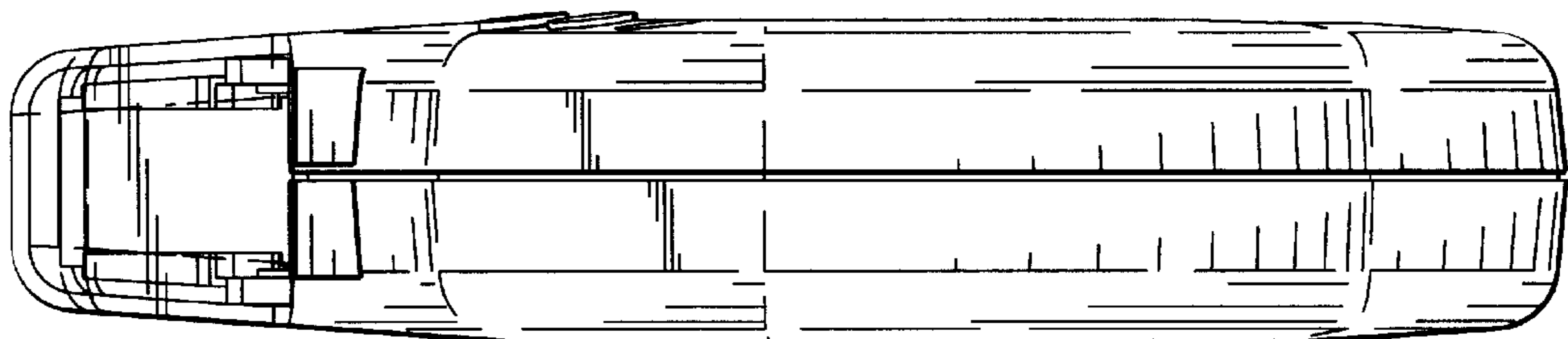
**FIG 4**



**FIG 5**



**FIG 6**



**FIG 7**