



US00D448415B1

(12) **United States Design Patent**
Huang

(10) **Patent No.:** **US D448,415 S**

(45) **Date of Patent:** **** Sep. 25, 2001**

(54) **ADHESIVE TAPE DISPENSER**

(76) **Inventor:** **Harrison Huang**, No. 23, Lin T'So Rd., Sheng Kang Hsian, Taichung Hsien (TW)

(**) **Term:** **14 Years**

(21) **Appl. No.:** **29/137,487**

(22) **Filed:** **Feb. 22, 2001**

(51) **LOC (7) Cl.** **19-02**

(52) **U.S. Cl.** **D19/69; D19/67**

(58) **Field of Search** D19/65, 66, 67, D19/68, 69, 72, 89, 95, 99, 100; 156/523, 327, 527, 577; 225/6, 7, 12, 19, 24, 20, 34, 35, 80, 45, 46, 65, 77, 89, 11; 242/588, 588.1-588.6, 590, 594, 594.1-594.6

(56) **References Cited**

U.S. PATENT DOCUMENTS

- D. 190,781 * 6/1961 Reinecke D19/69
- D. 256,419 * 8/1980 Hom D7/641
- D. 399,257 * 10/1998 Tang et al. D19/69

- D. 430,213 * 8/2000 Huang D19/69
- D. 434,801 * 12/2000 Van Den Berg D19/69
- 2,352,445 * 6/1944 Pinckney 225/20
- 2,708,076 * 5/1955 Polster et al. 225/34
- 3,768,713 * 10/1973 Lash 225/34

* cited by examiner

Primary Examiner—Martie K. Holtje

(74) *Attorney, Agent, or Firm*—Browdy and Neimark

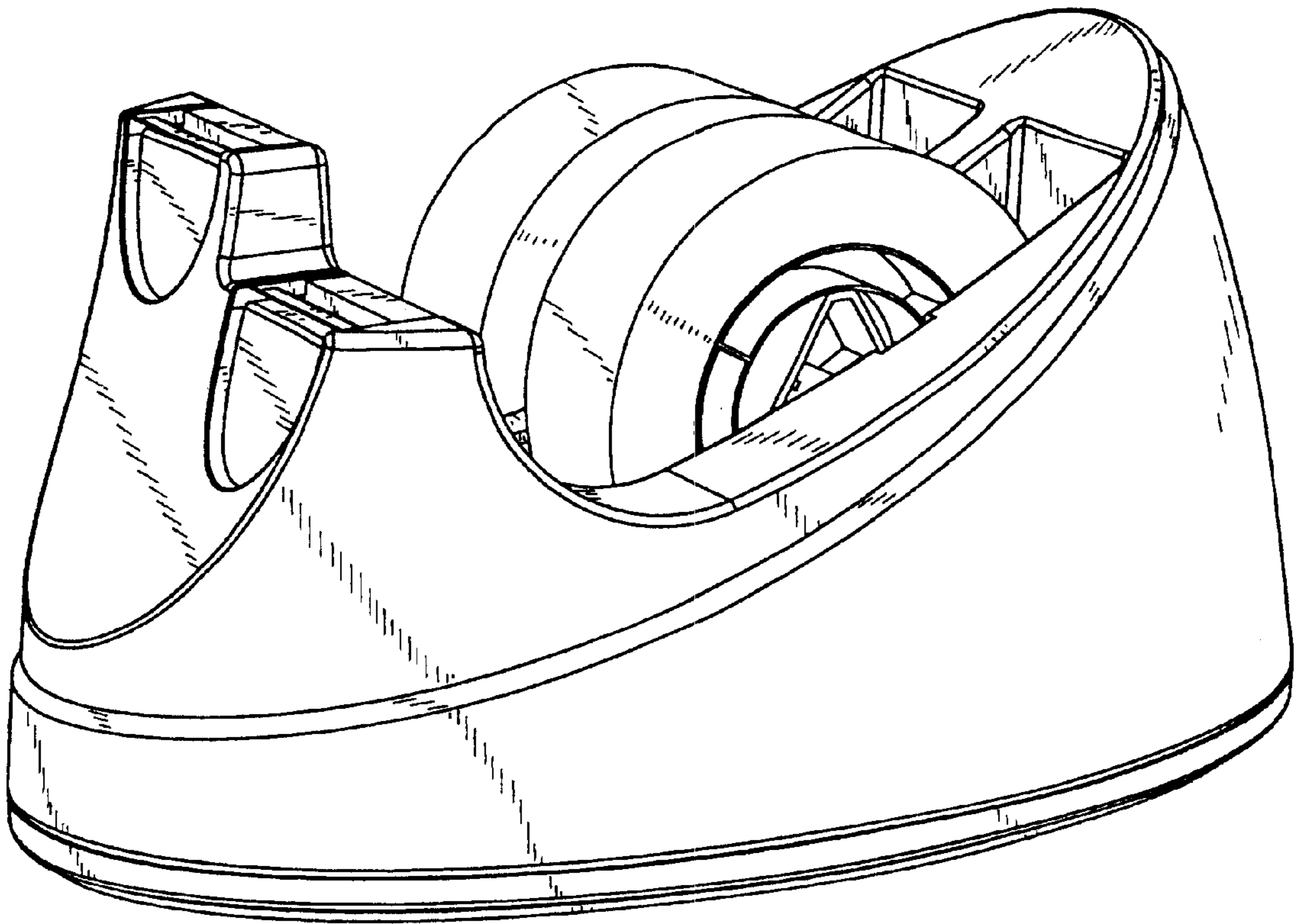
(57) **CLAIM**

The ornamental design for an adhesive tape dispenser, as shown and described.

DESCRIPTION

- FIG. 1 shows a perspective view of the present design.
- FIG. 2 shows a right elevational view of the present design.
- FIG. 3 shows a top plan view of the present design.
- FIG. 4 shows a front elevational view of the present design.
- FIG. 5 shows a bottom plan view of the present design.
- FIG. 6 shows a left elevational view of the present design; and,
- FIG. 7 shows a rear elevational view of the present design.

1 Claim, 4 Drawing Sheets



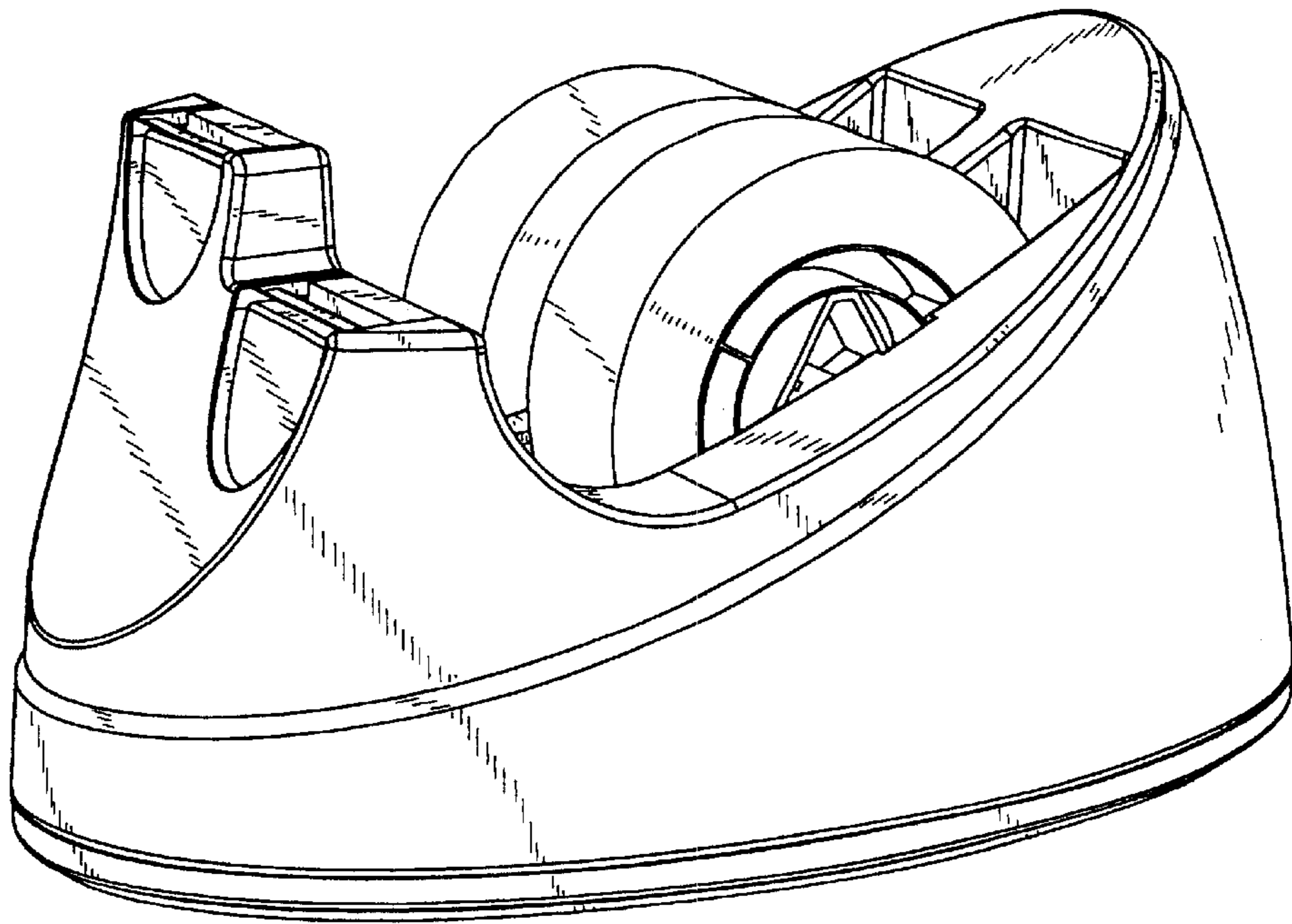


FIG. 1

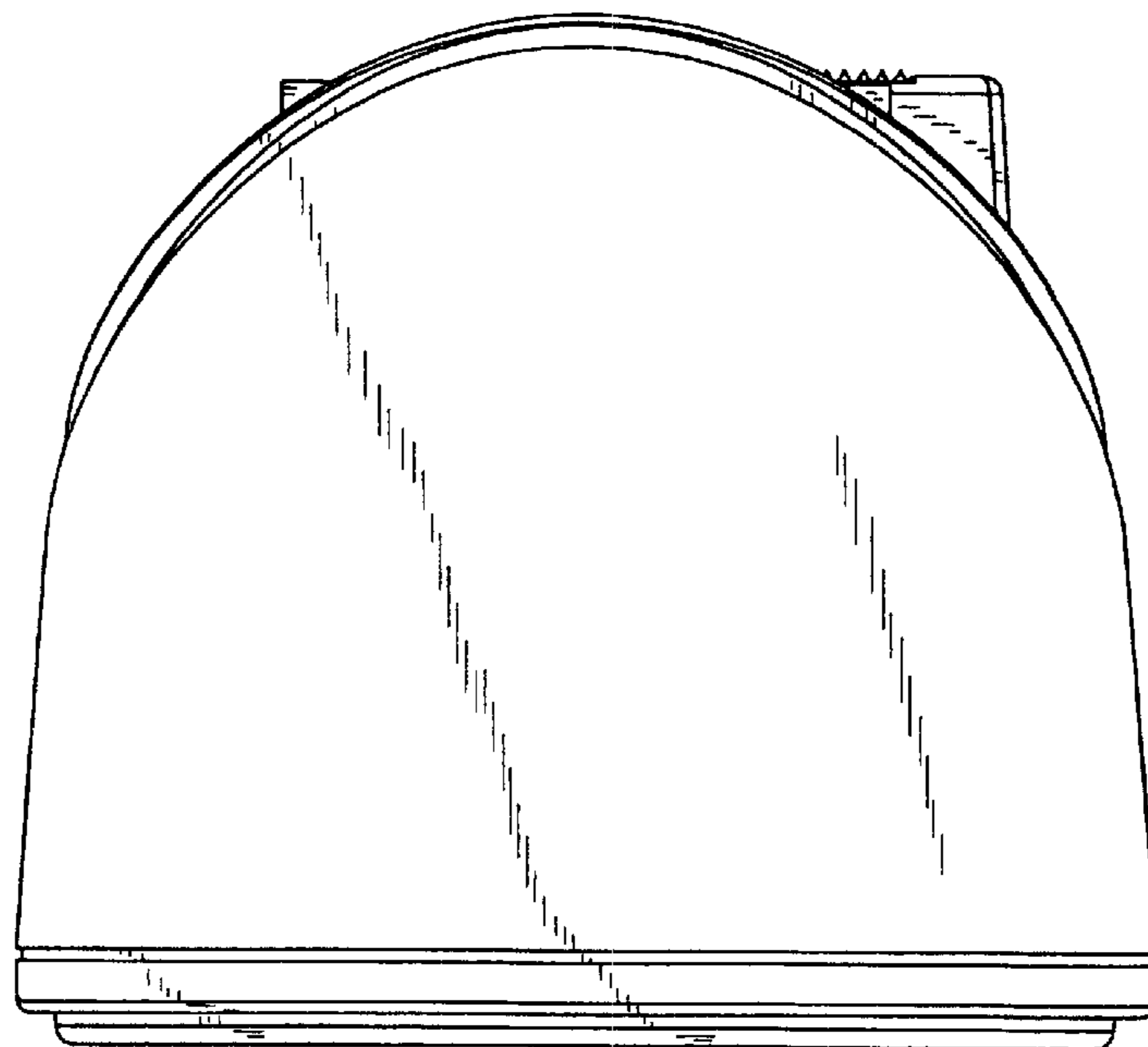


FIG. 2

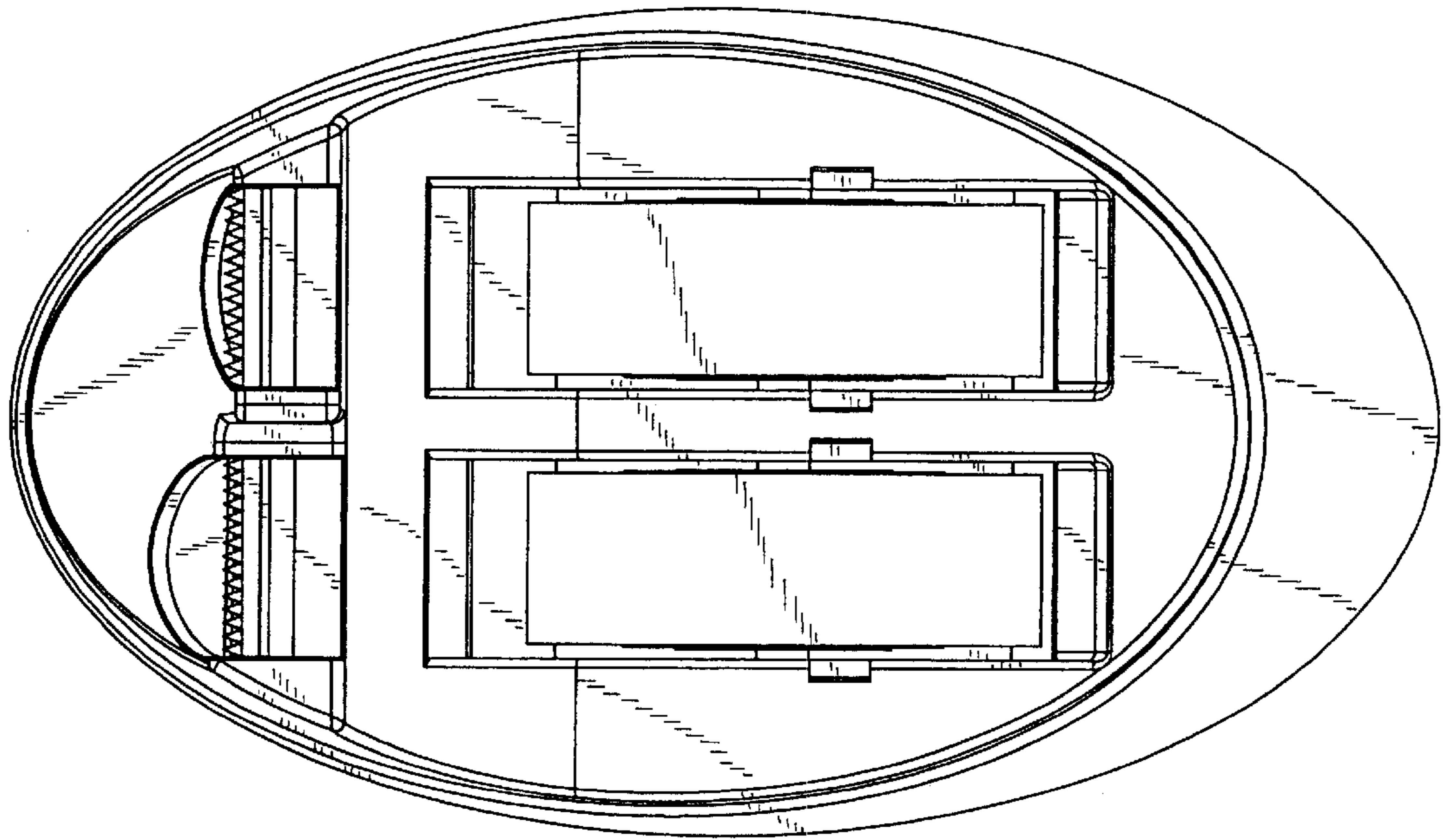


FIG. 3

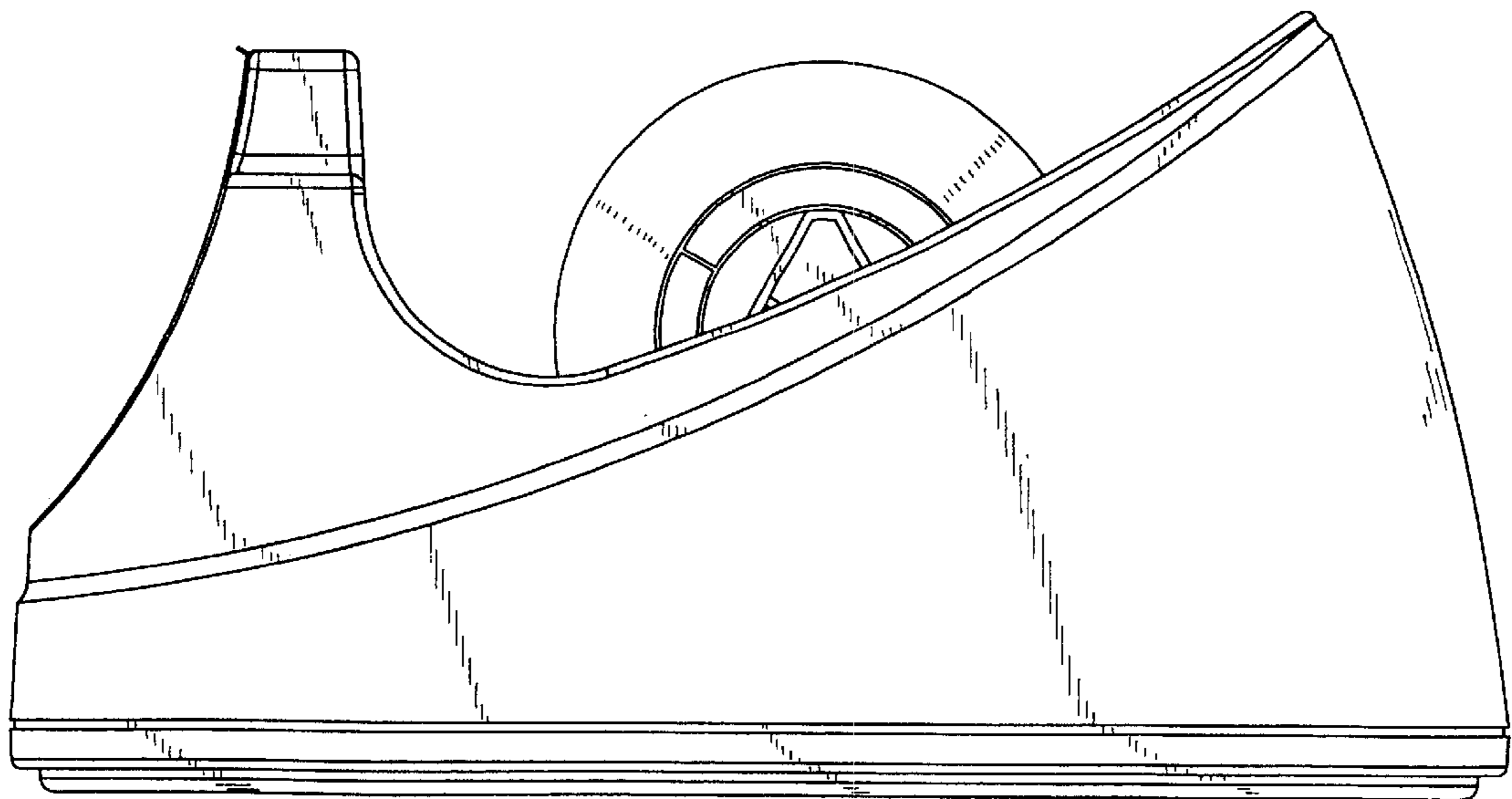


FIG. 4

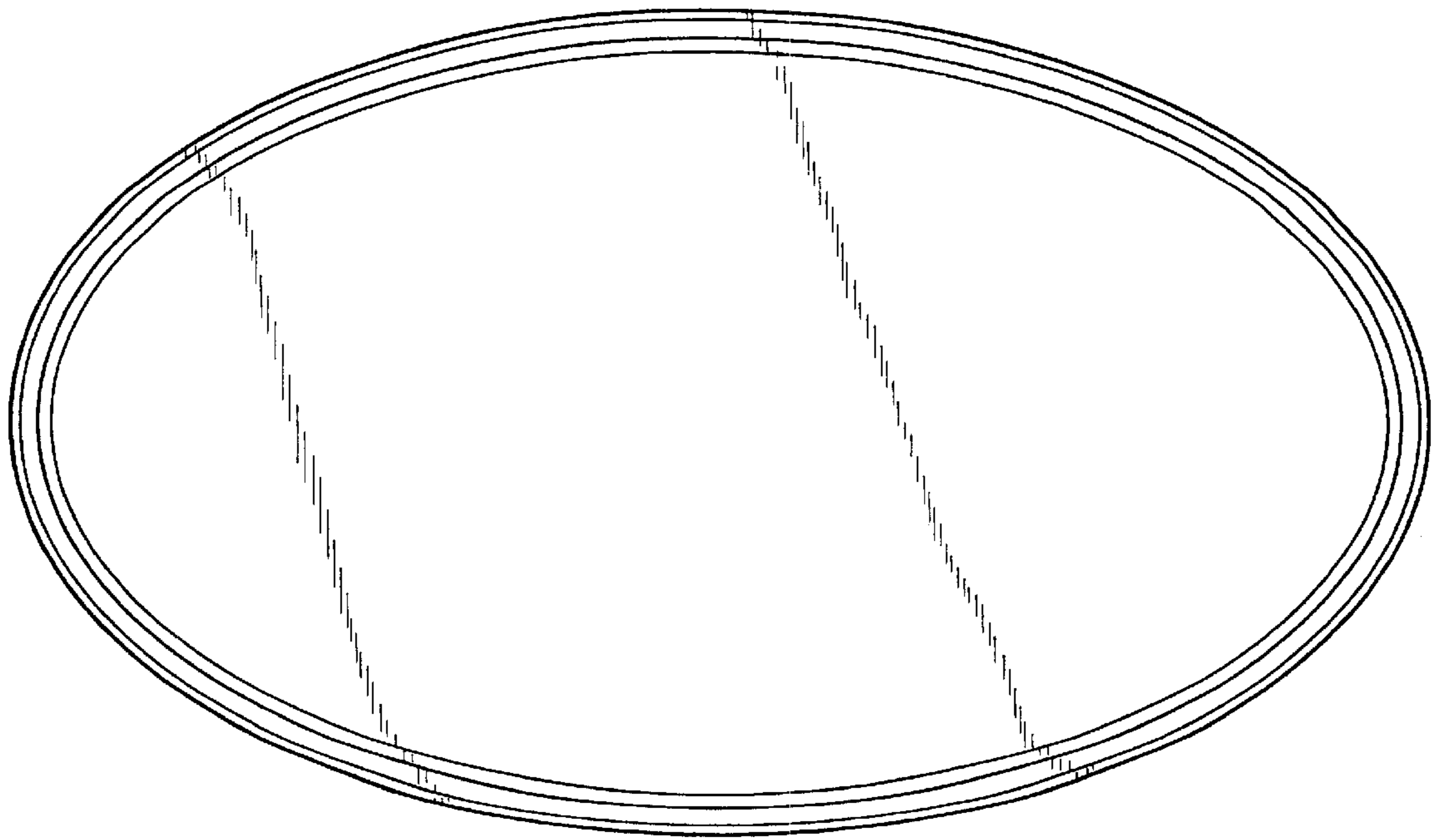


FIG. 5

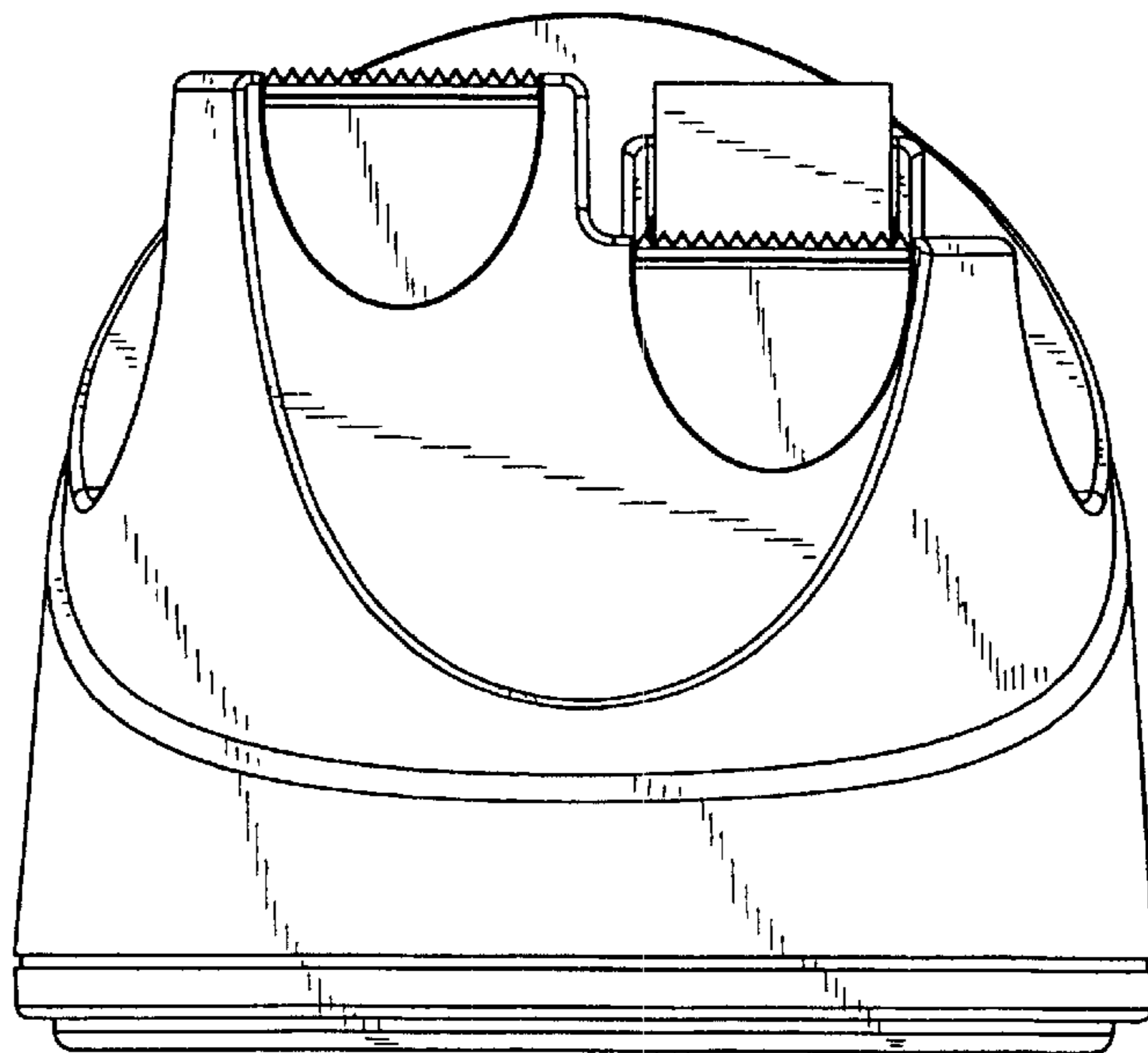


FIG. 6

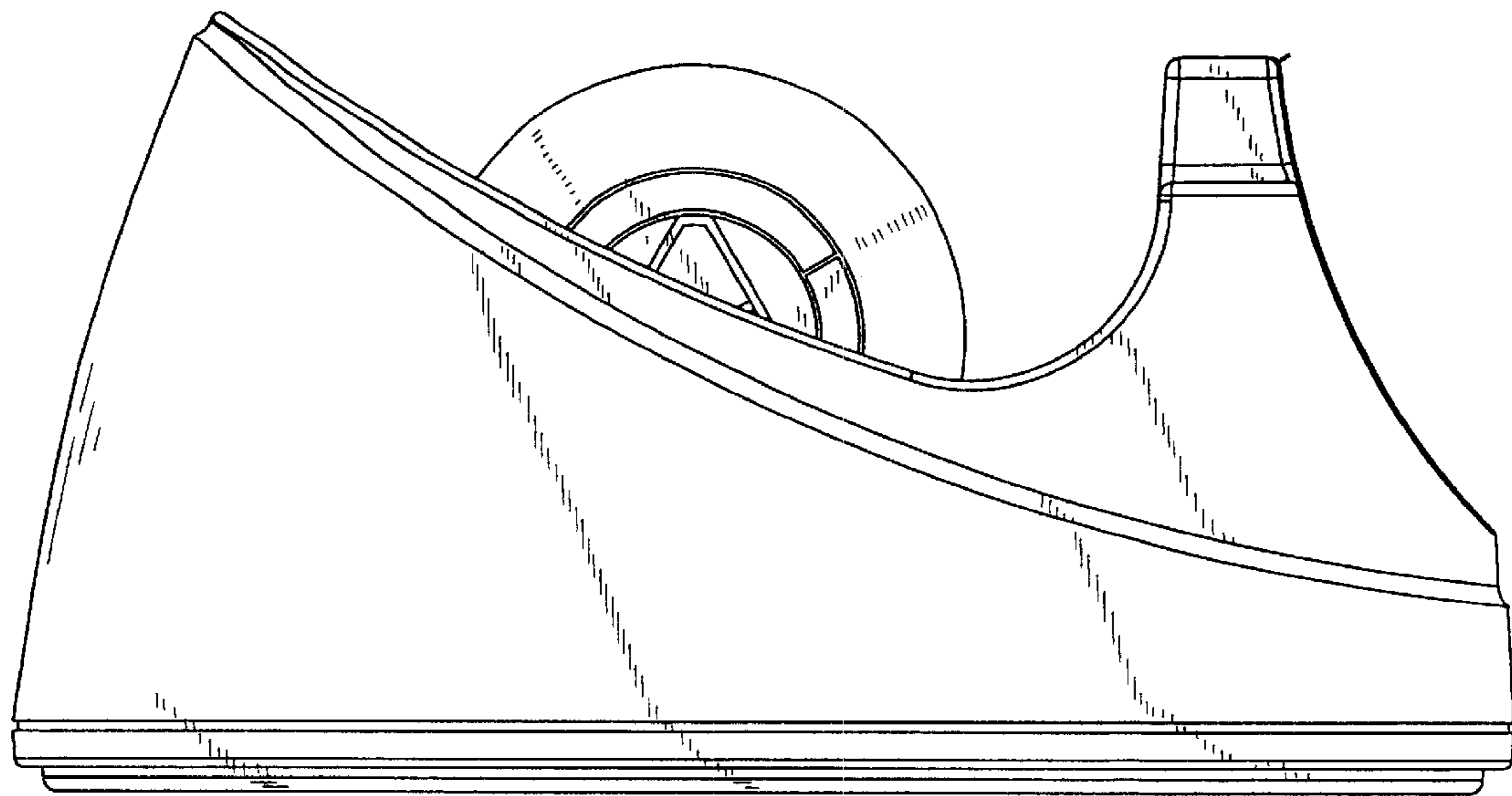


FIG. 7