



US00D448410B1

(12) **United States Design Patent**
Leins

(10) **Patent No.:** **US D448,410 S**

(45) **Date of Patent:** **** Sep. 25, 2001**

(54) **MULTI PURPOSE HAND OPERATED OFFICE UTENSIL**

(75) Inventor: **Hanspeter Leins**, Nagold (DE)

(73) Assignee: **C-Tech AG** (DE)

(**) Term: **14 Years**

(21) Appl. No.: **29/099,577**

(22) Filed: **Jan. 22, 1999**

(30) **Foreign Application Priority Data**

Jul. 23, 1998 (XH) DM/044 810

(51) **LOC (7) Cl.** **19-06**

(52) **U.S. Cl.** **D19/65; D8/105**

(58) **Field of Search** D19/65, 75, 77,
D19/81-85, 99, 100; D8/98, 104, 105;
7/118, 119, 160, 163, 164; 30/152

(56) **References Cited**

U.S. PATENT DOCUMENTS

D. 302,102	7/1989	Amagaya .	
D. 318,070	7/1991	Amagaya .	
D. 402,313	* 12/1998	Tzeng	D19/65
D. 415,201	* 10/1999	Leins	D19/65
D. 425,125	5/2000	Leins .	
D. 434,073	* 11/2000	Leins	D19/65
D. 436,130	* 1/2001	Leins	D19/65
662,005	11/1900	Lewis .	
790,432	5/1905	Heilrath .	
857,459	6/1907	Hendrickson .	
2,264,322	12/1941	Maynard	1/3
2,486,500	11/1949	Shocket	1/49
2,726,393	12/1955	Vogel	1/3.05
3,640,443	2/1972	Itagaki	227/120
3,907,190	9/1975	Mitsubishi	227/127
3,951,325	4/1976	Mitsubishi	227/76
4,002,281	1/1977	Hsu	227/63
4,114,793	9/1978	Hsu	227/63
4,240,572	12/1980	Mitsubishi	227/76
4,288,018	9/1981	Taniguchi	227/76
4,491,261	1/1985	Mitsubishi	227/76
4,640,451	2/1987	Steiner et al.	227/76

4,727,610	3/1988	Lin	7/160
4,729,170	3/1988	Hartmeister	30/363
4,779,785	10/1988	Amagaya	227/76
4,783,867	11/1988	Tsao .	
4,794,692	1/1989	Wang .	
5,114,257	5/1992	Hsu	401/195
5,184,765	2/1993	Orozco	227/27
5,584,124	12/1996	Marthaler et al.	30/363
5,655,697	8/1997	Yeh	227/27

FOREIGN PATENT DOCUMENTS

P.A. 1980350-			
3458	6/1958	(DE) .	
26 25 749 A1	12/1977	(DE) .	
4021645 A1	2/1991	(DE) .	
41 10 688 A1	9/1991	(DE) .	
0 306 678 A2	3/1989	(EP) .	
2 186 227 A	8/1987	(GB) .	
2196896 A	4/1988	(GB) .	
08112781A	5/1996	(JP) .	
WO 84/01739	5/1984	(WO) .	

OTHER PUBLICATIONS

WIPO International Designs Bulletin Issue No. 01/1997 (DM/038962), published Mar. 27, 1997.

Brochure, "Wenger. The Genuine Swiss Army Knife", 27 pages.

Brochure, "Wenger. The Genuine Swiss Army Knife™", 8 pages.

Six photographs showing top, bottom, left-side, right-side, front, and rear views of "MoMA PLUS" device.

* cited by examiner

Primary Examiner—Martie K. Holtje

(74) *Attorney, Agent, or Firm*—Brinks Hofer Gilson & Lione

(57) **CLAIM**

The ornamental design for a multi purpose hand operated office utensil, as shown and described.

DESCRIPTION

FIG. 1 is a top perspective view of a multi purpose hand operated office utensil showing my new design;

FIG. 2 is a bottom perspective view of FIG. 1;

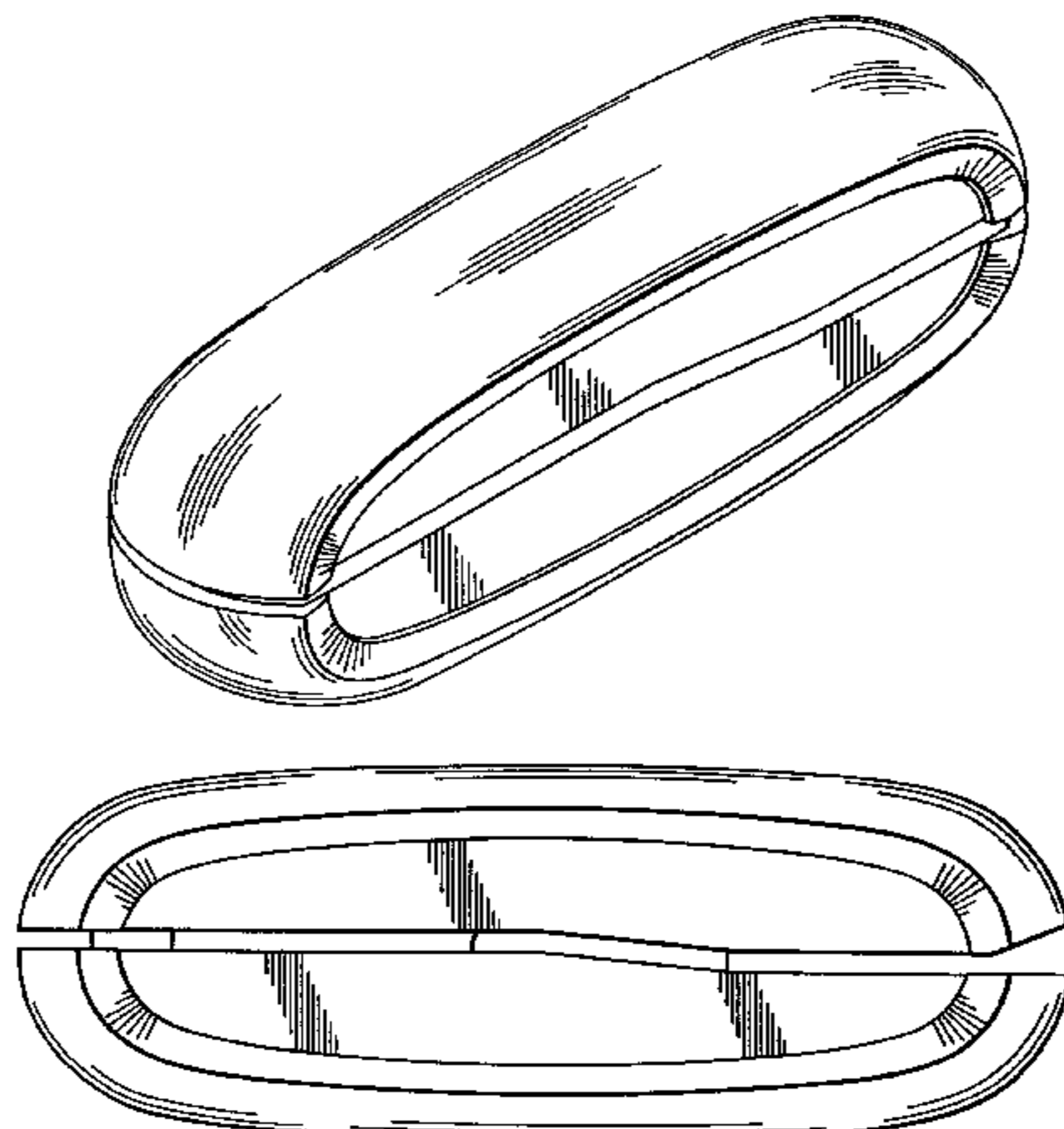
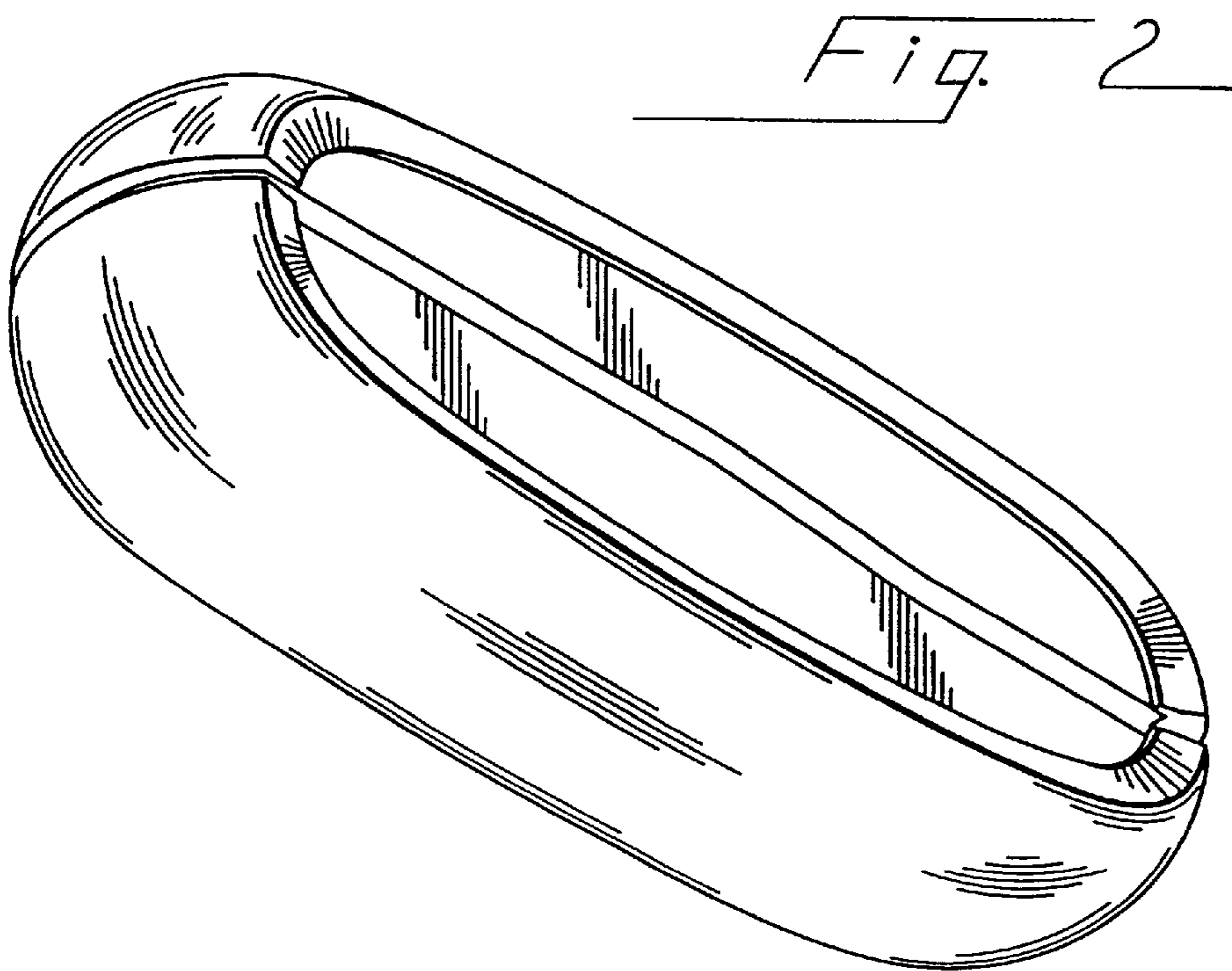
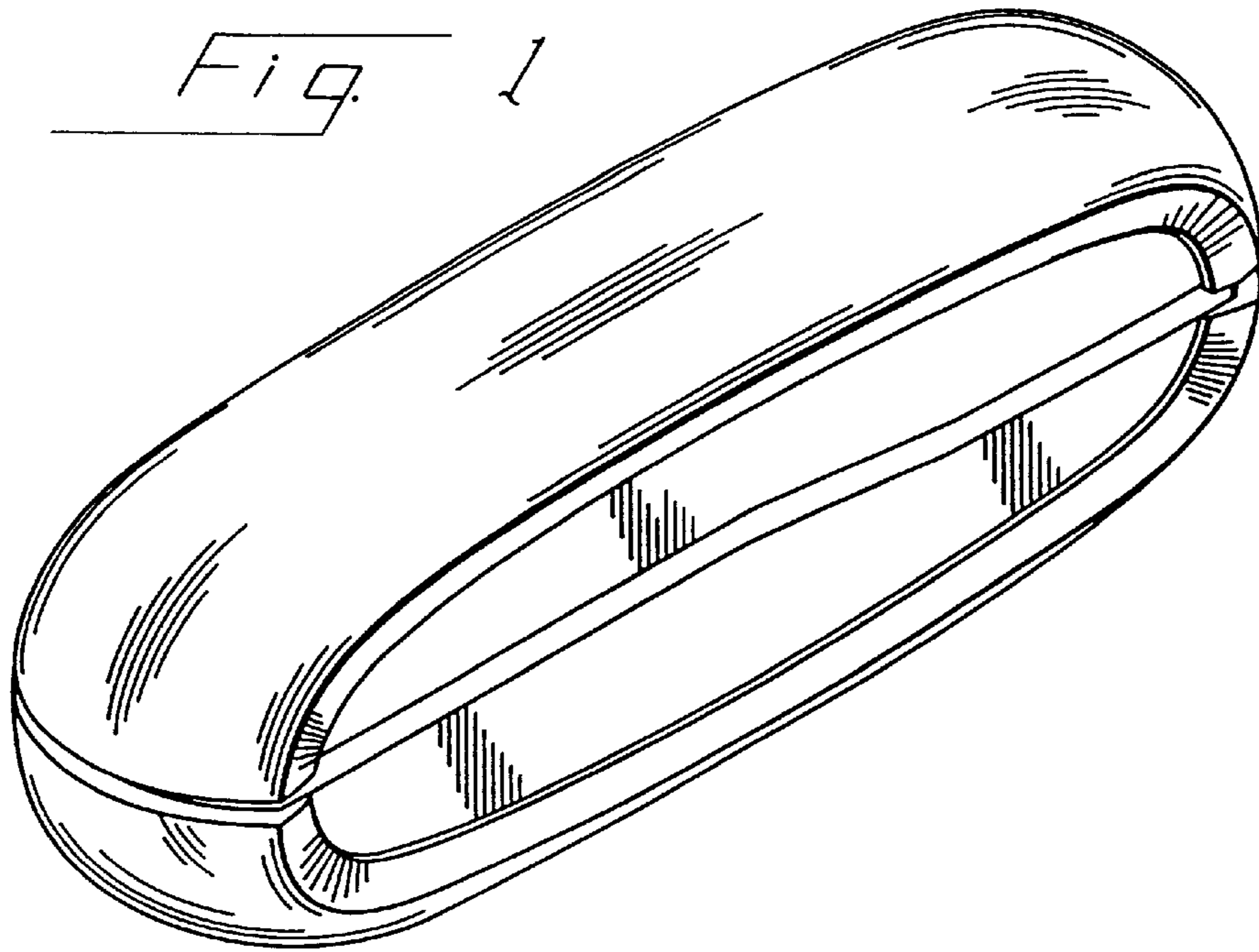


FIG. 3 is a second top perspective view of FIG. 1;
FIG. 4 is a second bottom perspective view of FIG. 1;
FIG. 5 is a front elevational view of FIG. 1;
FIG. 6 is a rear elevational view of FIG. 1;
FIG. 7 is a right side elevational view of FIG. 1;
FIG. 8 is a left side elevational view of FIG. 1;
FIG. 9 is a top plan view of FIG. 1;
FIG. 10 is a bottom plan view of FIG. 1;
FIG. 11 is an alternate top perspective view of my new design of FIG. 1;
FIG. 12 is a bottom perspective view of FIG. 11;
FIG. 13 is a second top perspective view of FIG. 11;
FIG. 14 is a second bottom perspective view of FIG. 11;
FIG. 15 is a front elevational view of FIG. 11;
FIG. 16 is a rear elevational view of FIG. 11;
FIG. 17 is a right side elevational view of FIG. 11;
FIG. 18 is a left side elevational view of FIG. 11;
FIG. 19 is a top plan view of FIG. 11;
FIG. 20 is a bottom plan view of FIG. 11;
FIG. 21 is an alternate top perspective view of my design of FIG. 1;
FIG. 22 is a bottom perspective view of FIG. 21;
FIG. 23 is a second top perspective view of FIG. 21;
FIG. 24 is a second bottom perspective view of FIG. 21;
FIG. 25 is a front elevational view of FIG. 21;
FIG. 26 is a rear elevational view of FIG. 21;
FIG. 27 is a right side elevational view of FIG. 21;
FIG. 28 is a left side elevational view of FIG. 21;
FIG. 29 is a top plan view of FIG. 21;
FIG. 30 is a bottom plan view of FIG. 21;
FIG. 31 is an alternate top perspective view of my design of FIG. 1;
FIG. 32 is a bottom perspective view of FIG. 31;
FIG. 33 is a second top perspective view of FIG. 31;
FIG. 34 is a second bottom perspective view of FIG. 31;
FIG. 35 is a front elevational view of FIG. 31;
FIG. 36 is a rear elevational view of FIG. 31;
FIG. 37 is a right side elevational view of FIG. 31;
FIG. 38 is a left side elevational view of FIG. 31;
FIG. 39 is a top plan view of FIG. 31;
FIG. 40 is a bottom plan view of FIG. 31;
FIG. 41 is an alternate top perspective view of my design of FIG. 1;
FIG. 42 is a bottom perspective view of FIG. 41;
FIG. 43 is a second top perspective view of FIG. 41;
FIG. 44 is a second bottom perspective view of FIG. 41;
FIG. 45 is a front elevational view of FIG. 41;
FIG. 46 is a rear elevational view of FIG. 41;
FIG. 47 is a right side elevational view of FIG. 41;
FIG. 48 is a left side elevational view of FIG. 41;
FIG. 49 is a top plan view of FIG. 41;
FIG. 50 is a bottom plan view of FIG. 41;
FIG. 51 is an alternate top perspective view of my design of FIG. 1;
FIG. 52 is a bottom perspective view of FIG. 51;
FIG. 53 is a second top perspective view of FIG. 51;
FIG. 54 is a second bottom perspective view of FIG. 51;
FIG. 55 is a front elevational view of FIG. 51;
FIG. 56 is a rear elevational view of FIG. 51;
FIG. 57 is a right side elevational view of FIG. 51;
FIG. 58 is a left side elevational view of FIG. 51;
FIG. 59 is a top plan view of FIG. 51; and,
FIG. 60 is a bottom plan view of FIG. 51.
The variety of structural elements depicted by means of broken lines in FIGS. 11 through 60 have been shown for environmental purposes only and form no part of the claimed design.

1 Claim, 30 Drawing Sheets



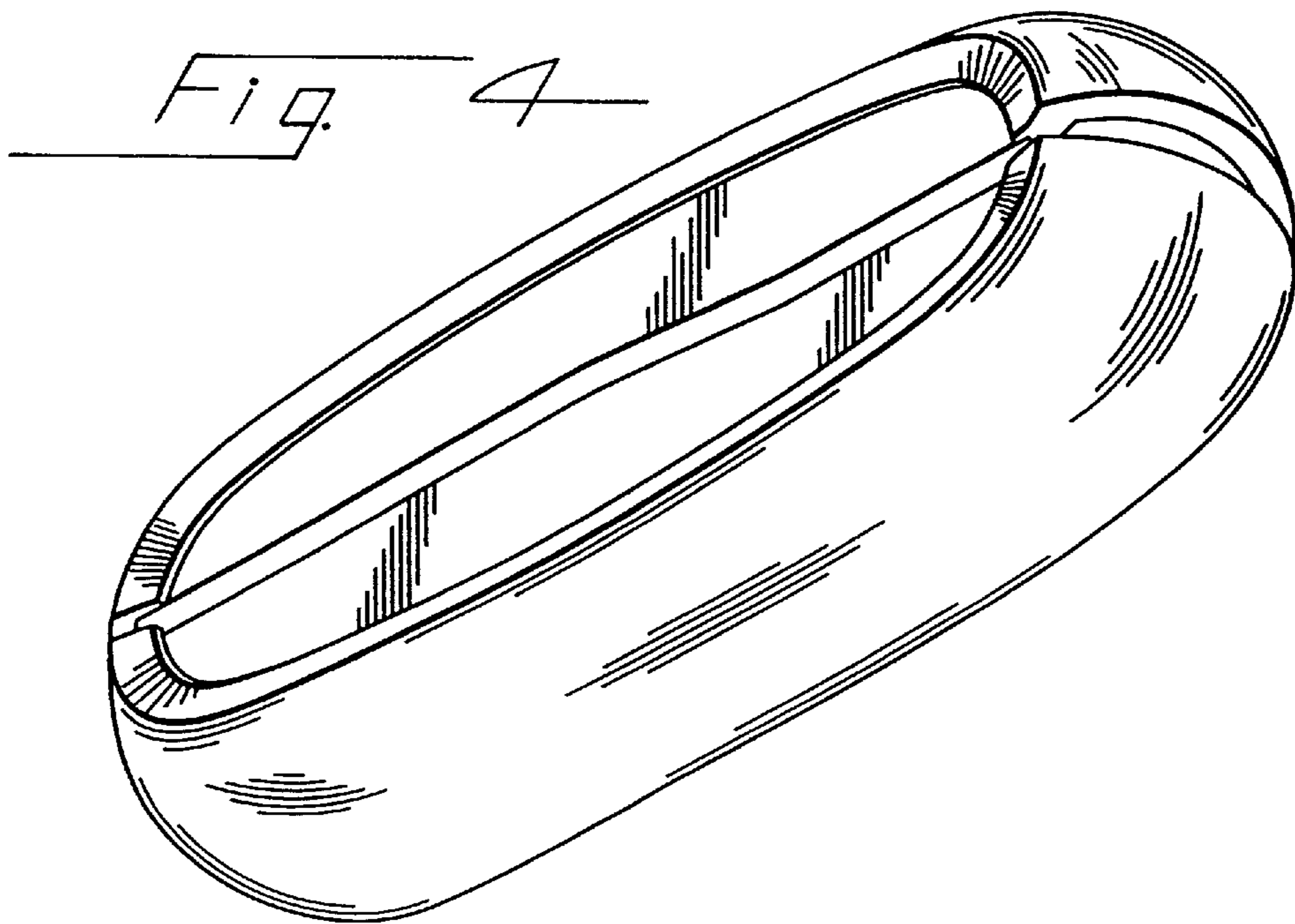
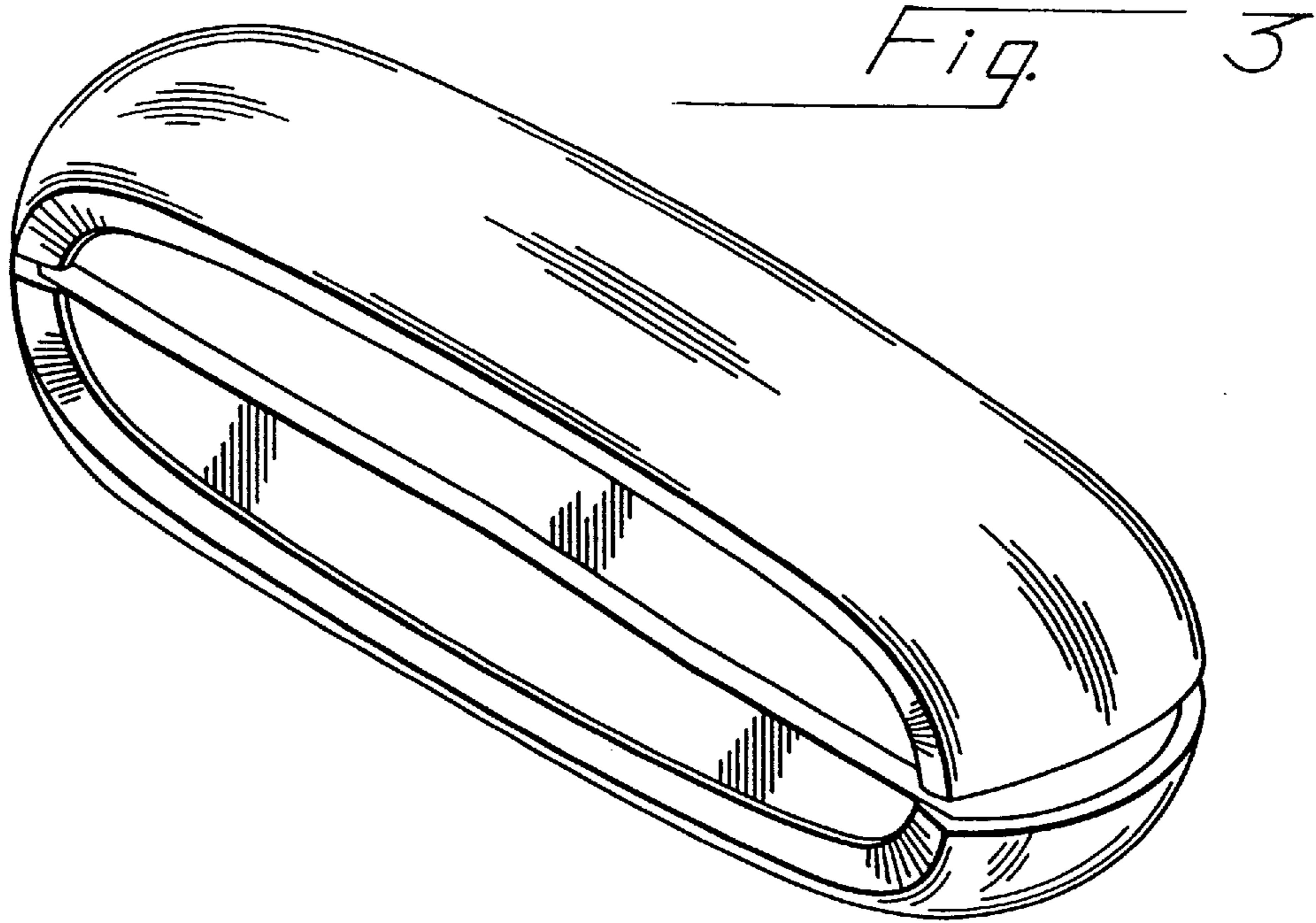


Fig. 5

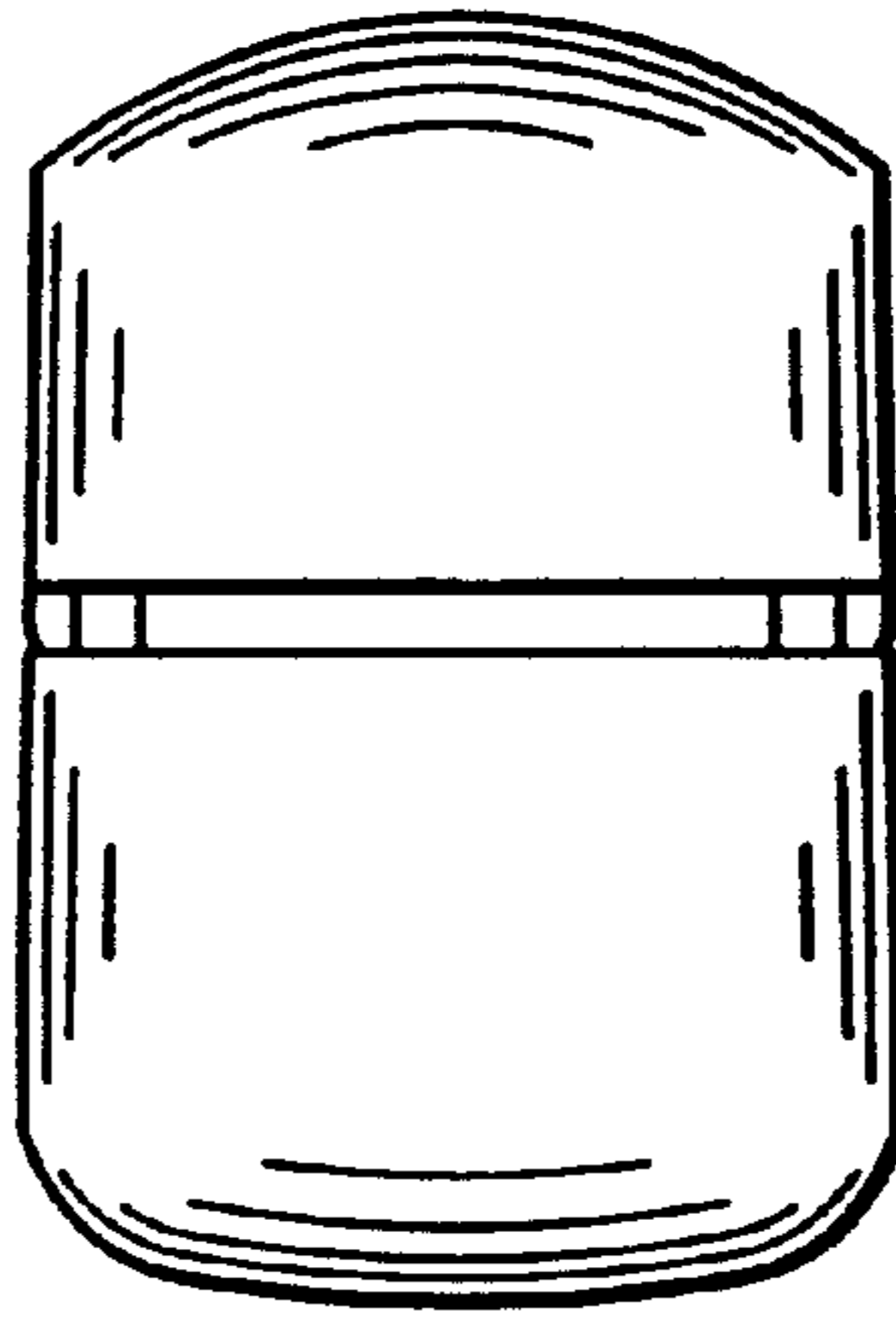


Fig. 6

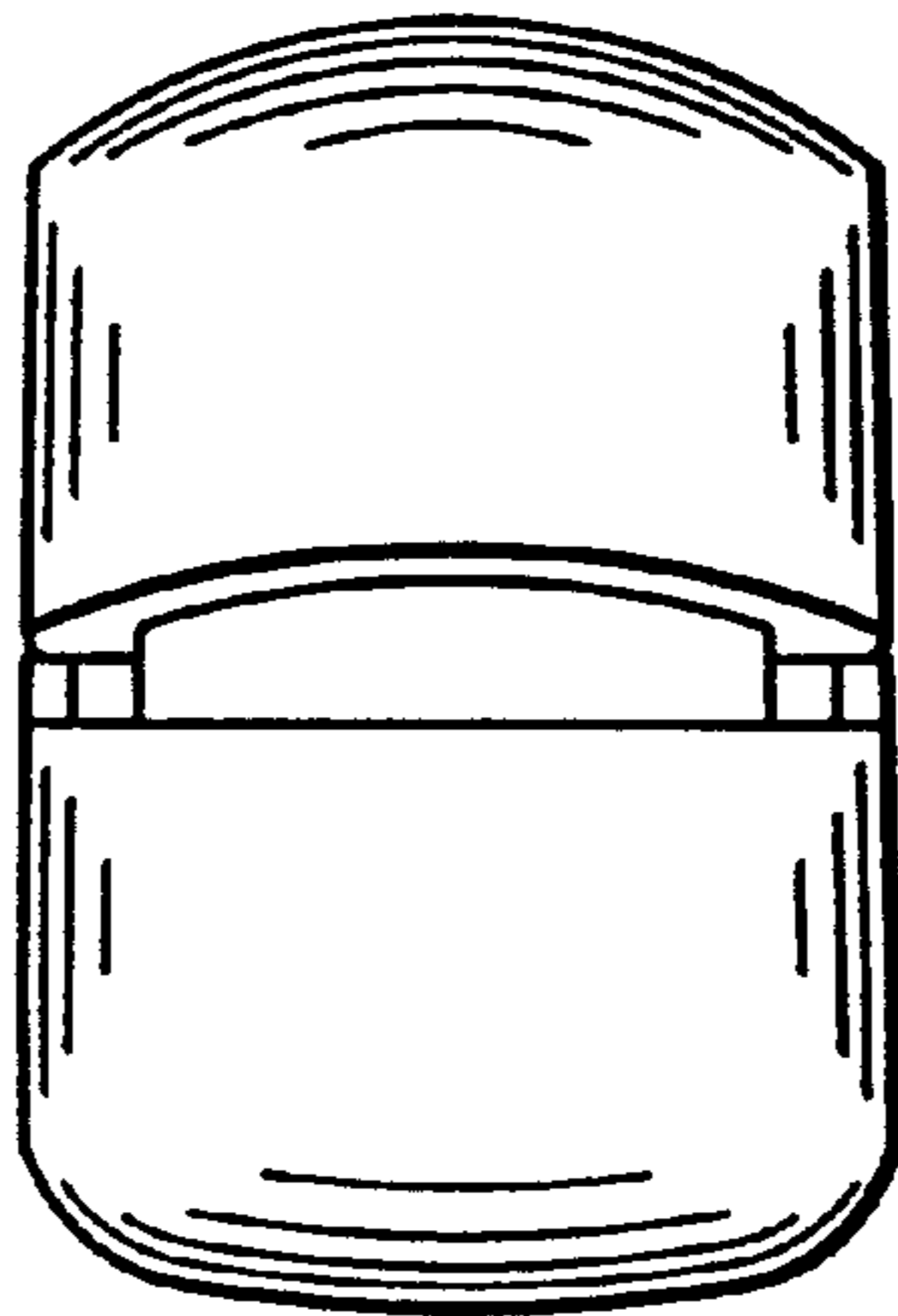


Fig. 7

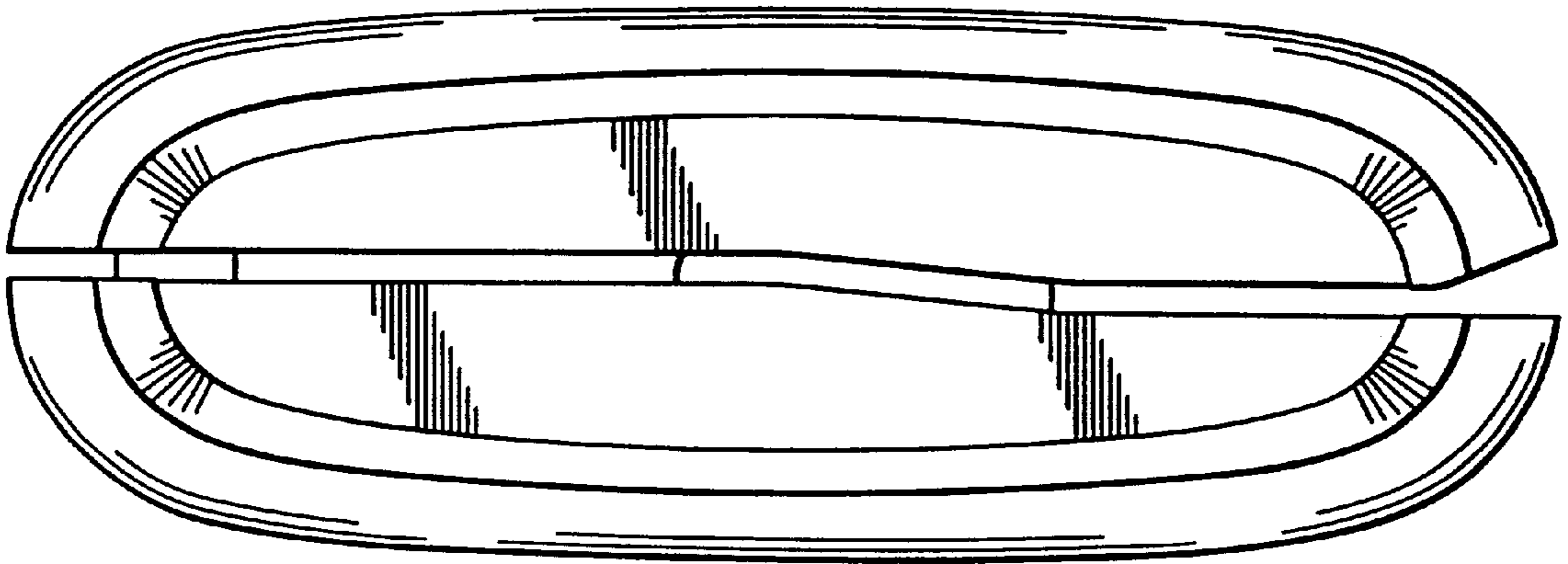


Fig. 8

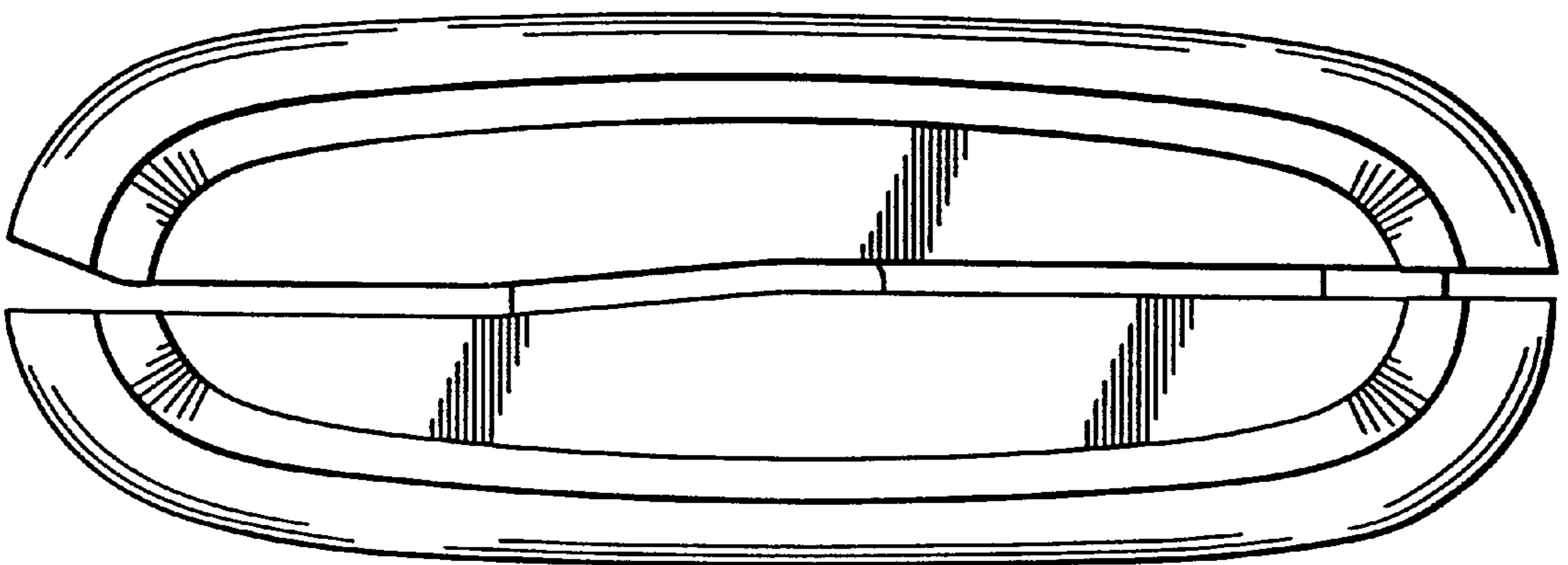


Fig. 9

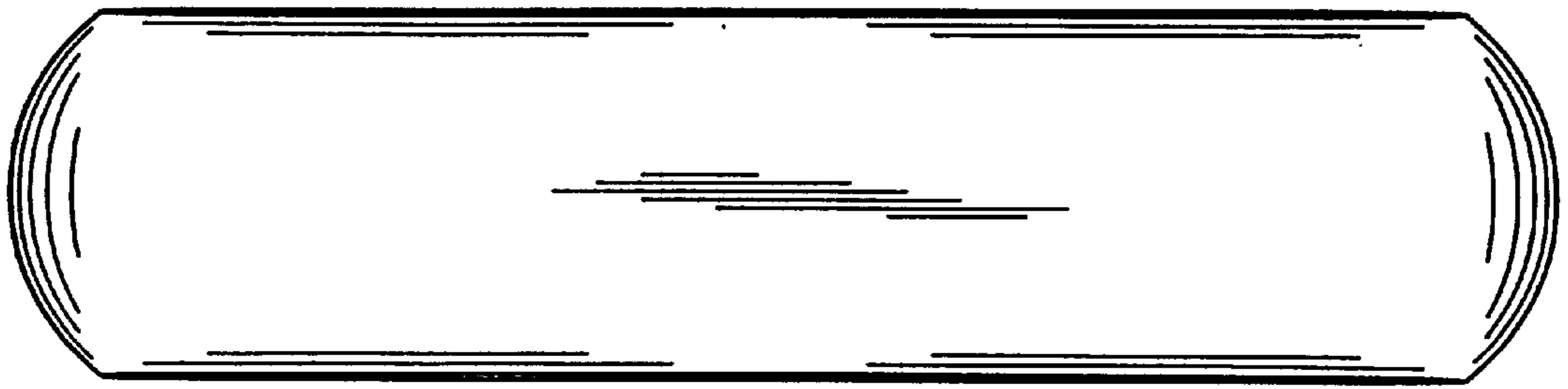
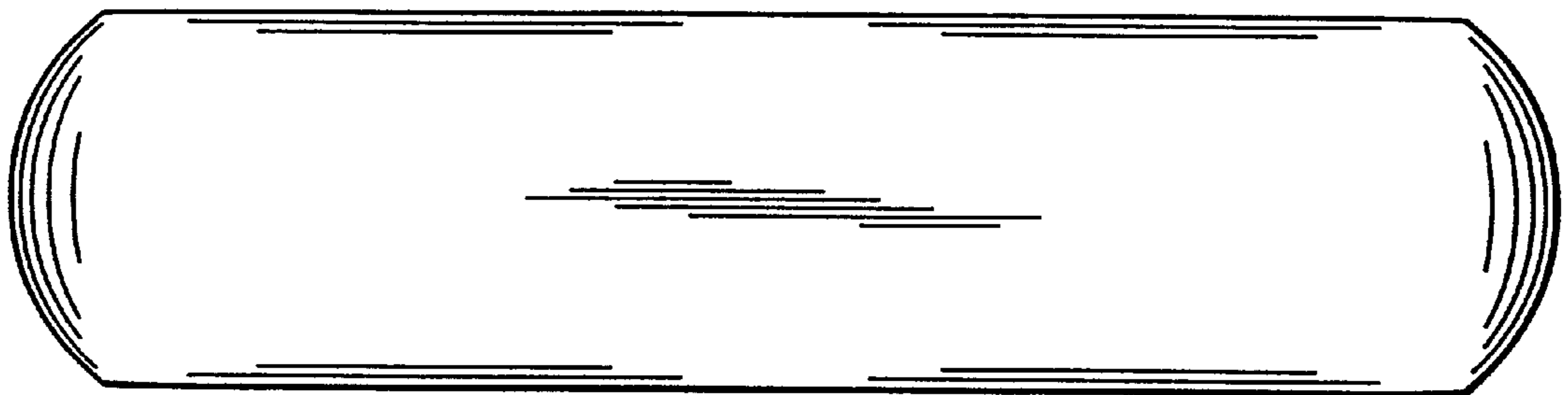
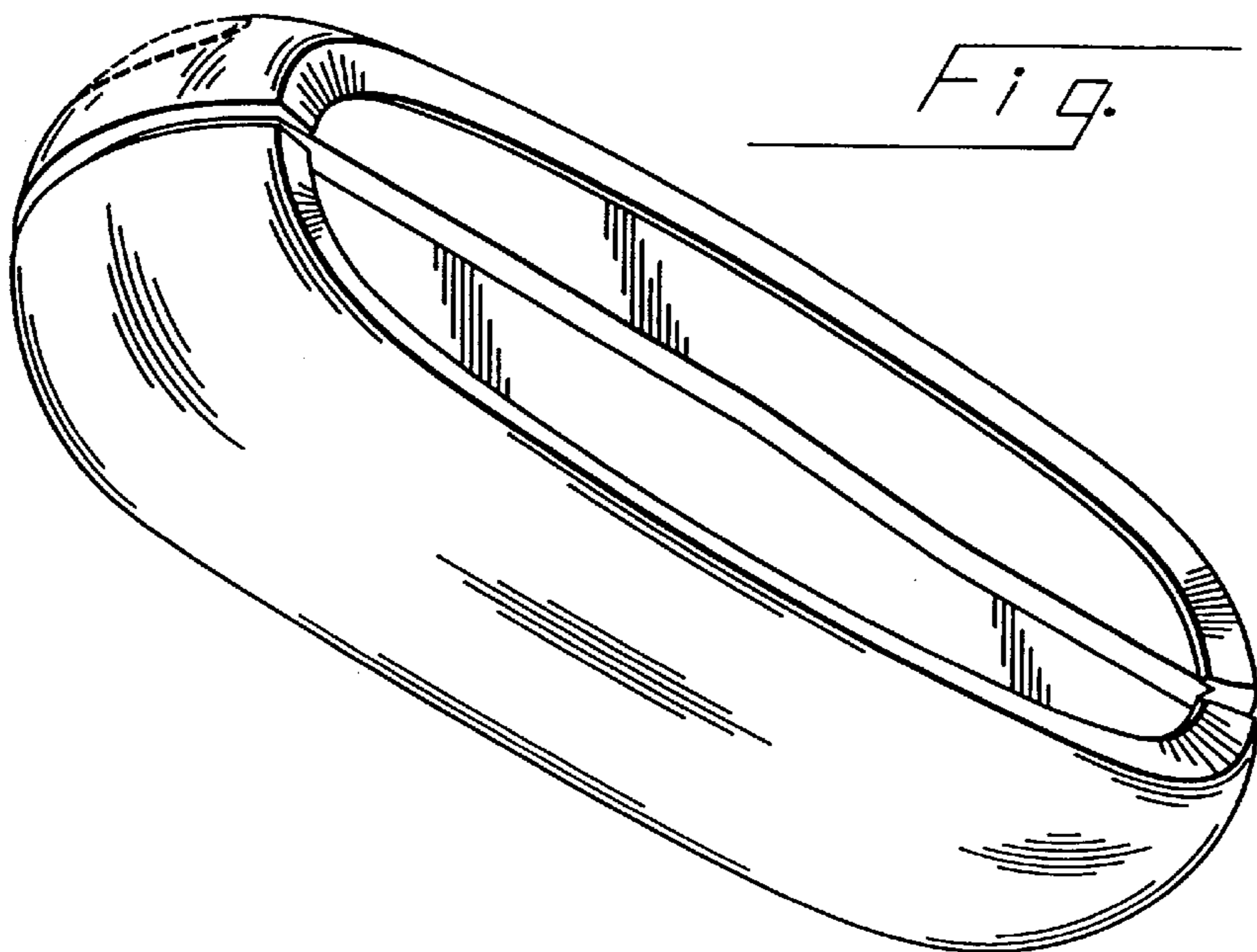
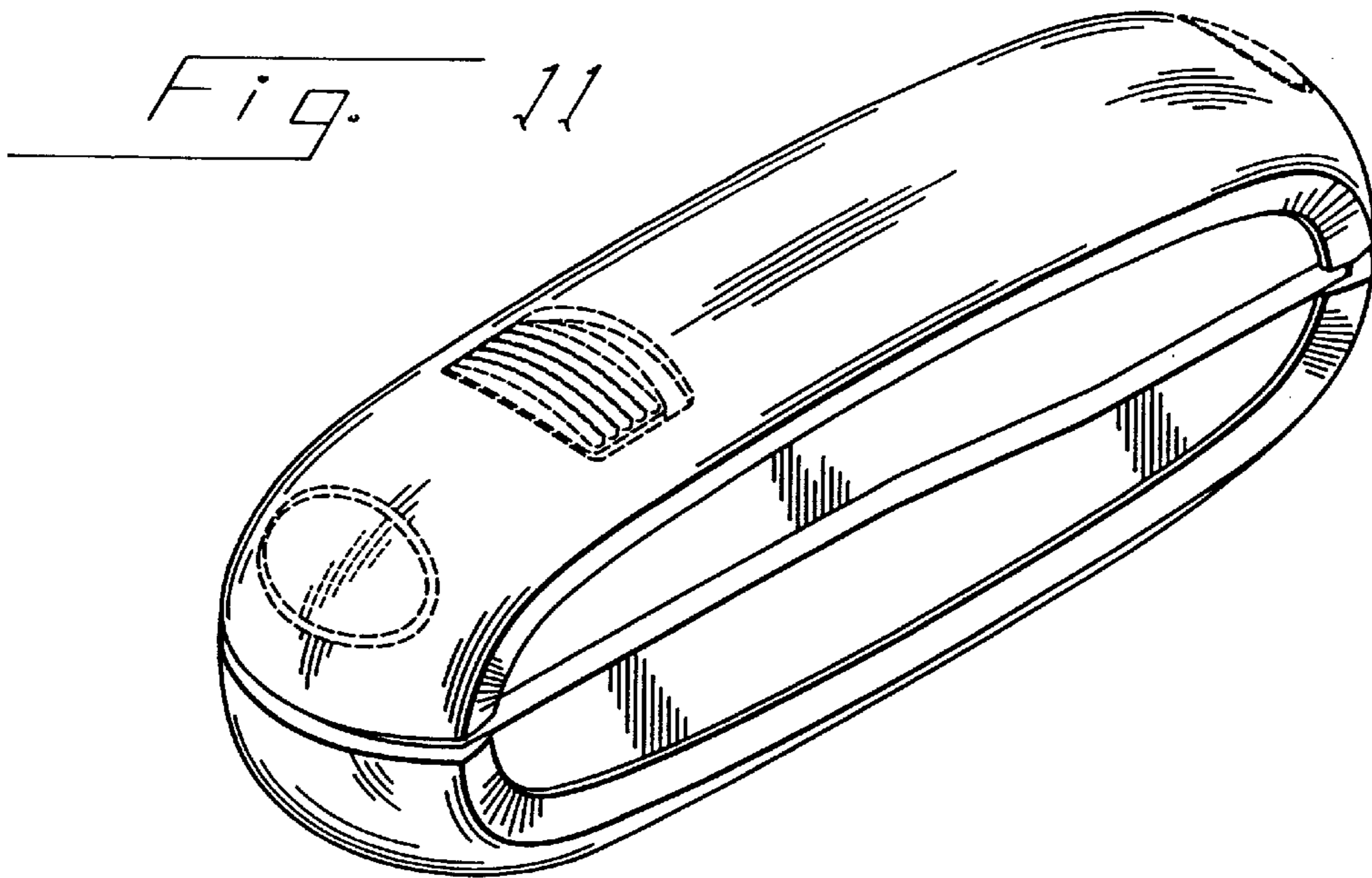


Fig. 10





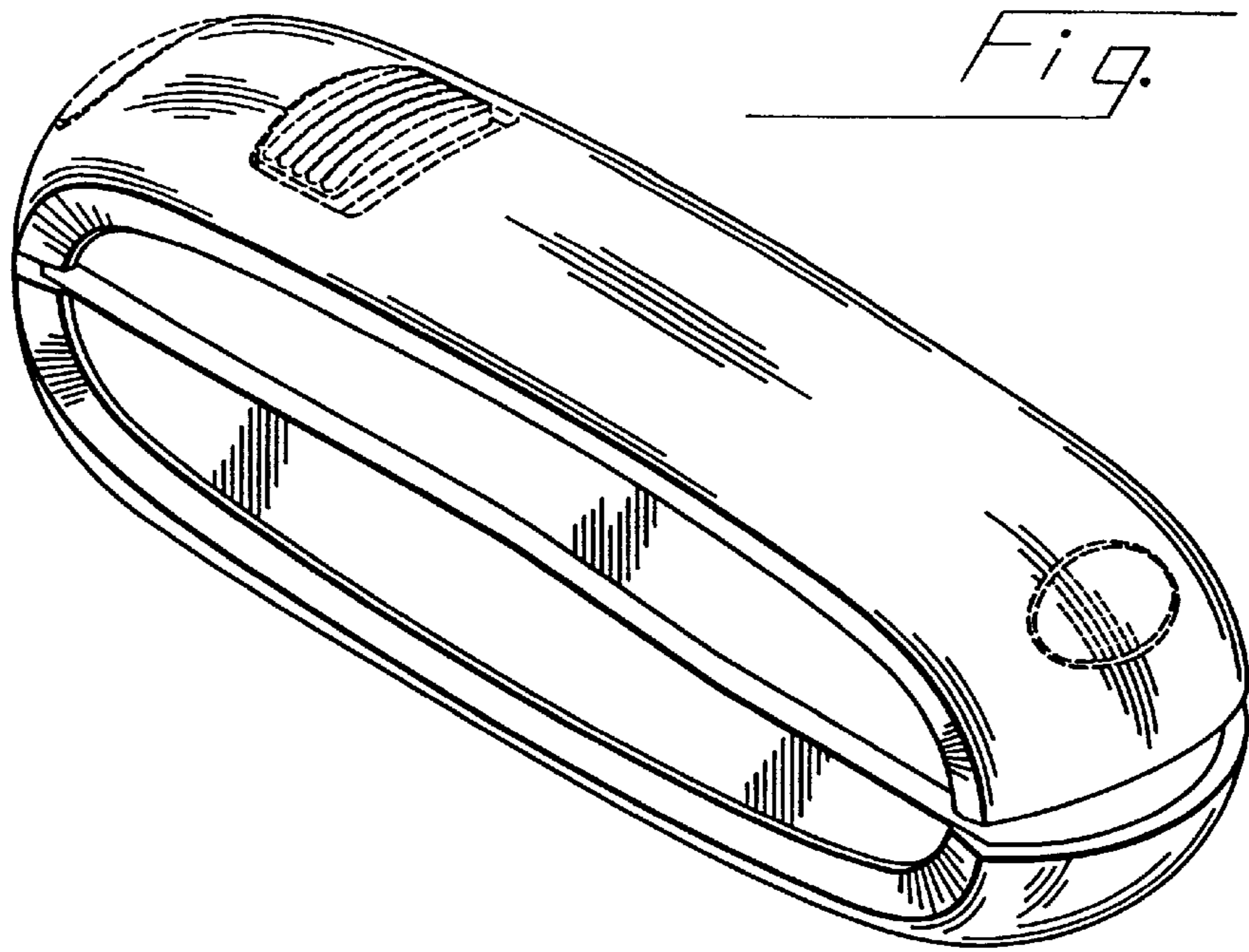


Fig. 13

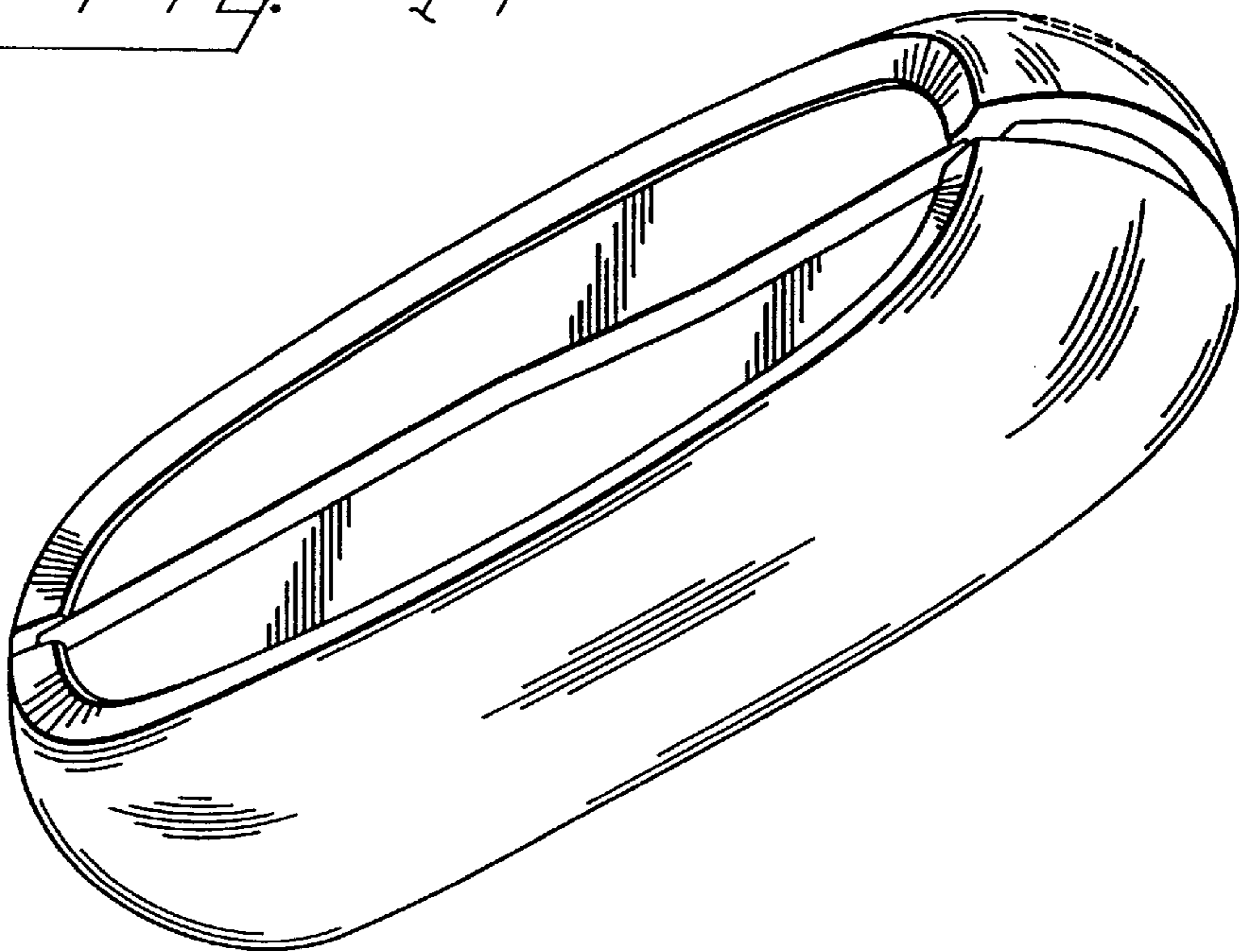


Fig. 14

Fig. 15

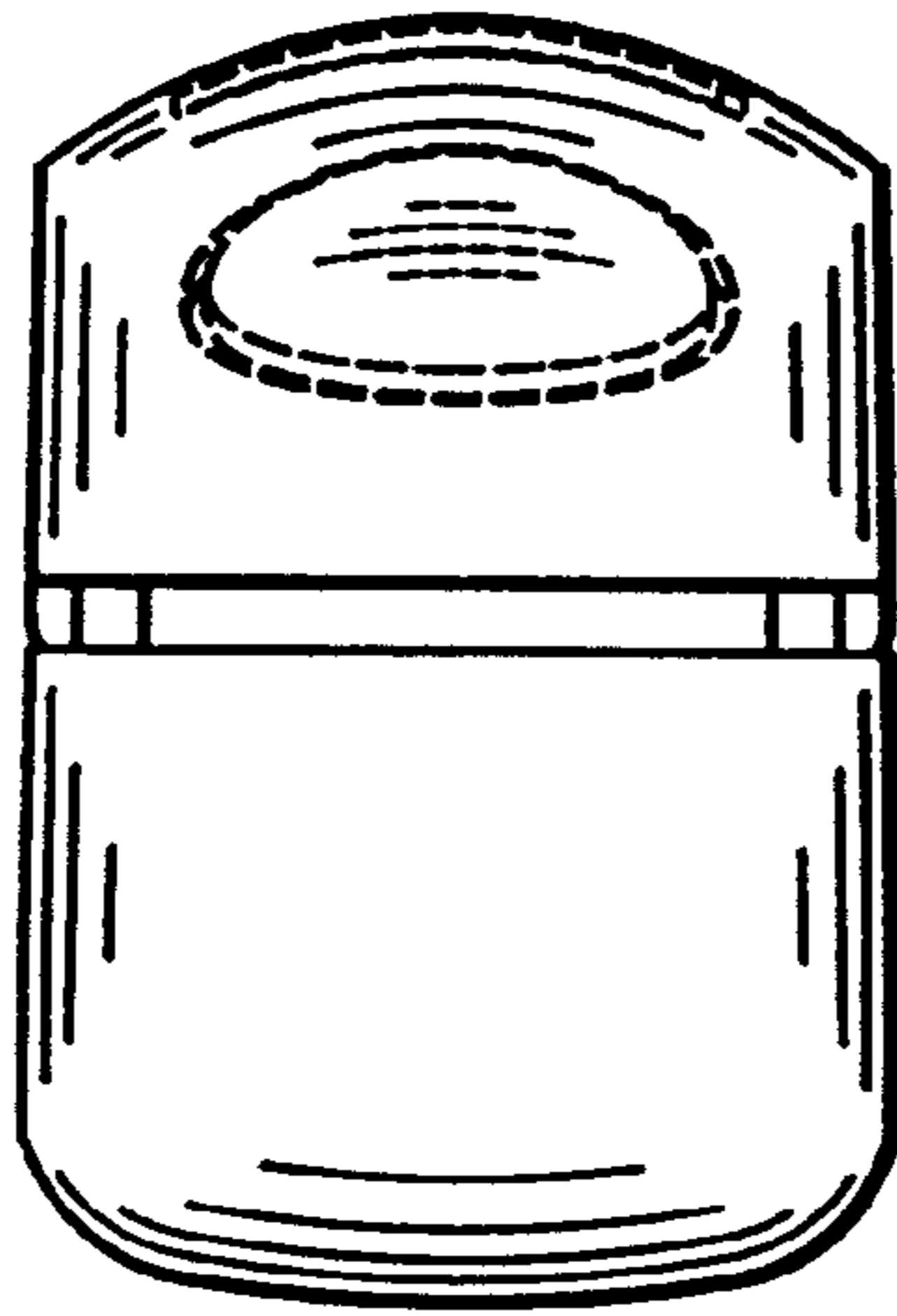


Fig. 16

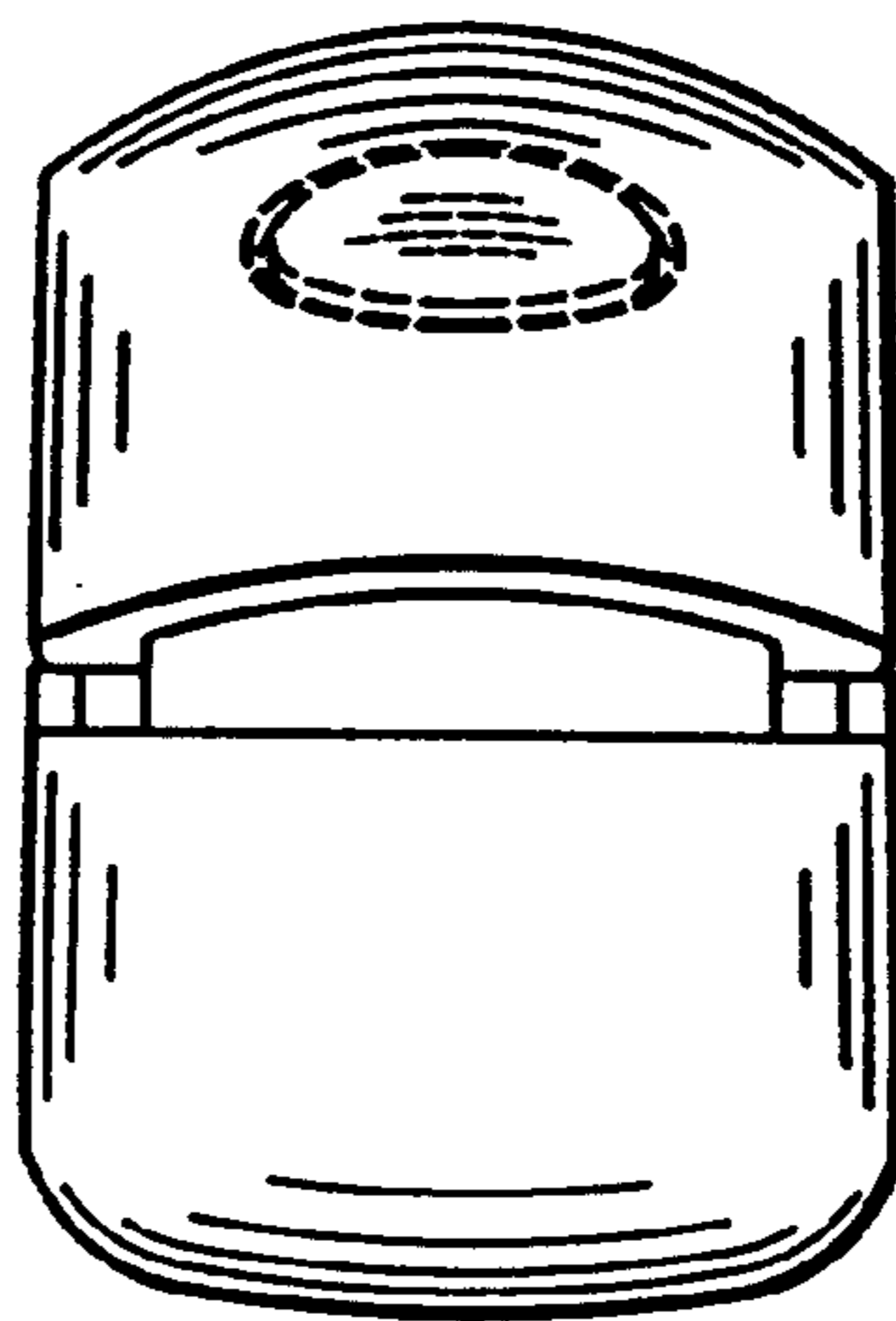


Fig. 17

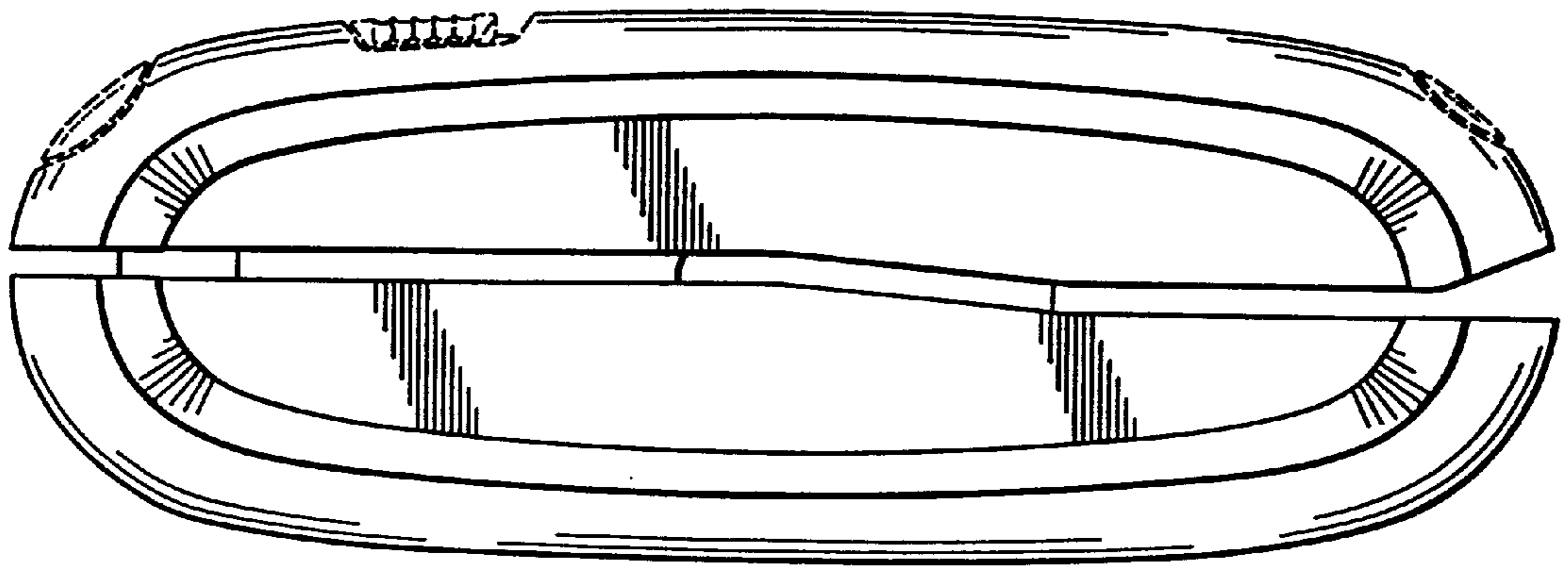


Fig. 18

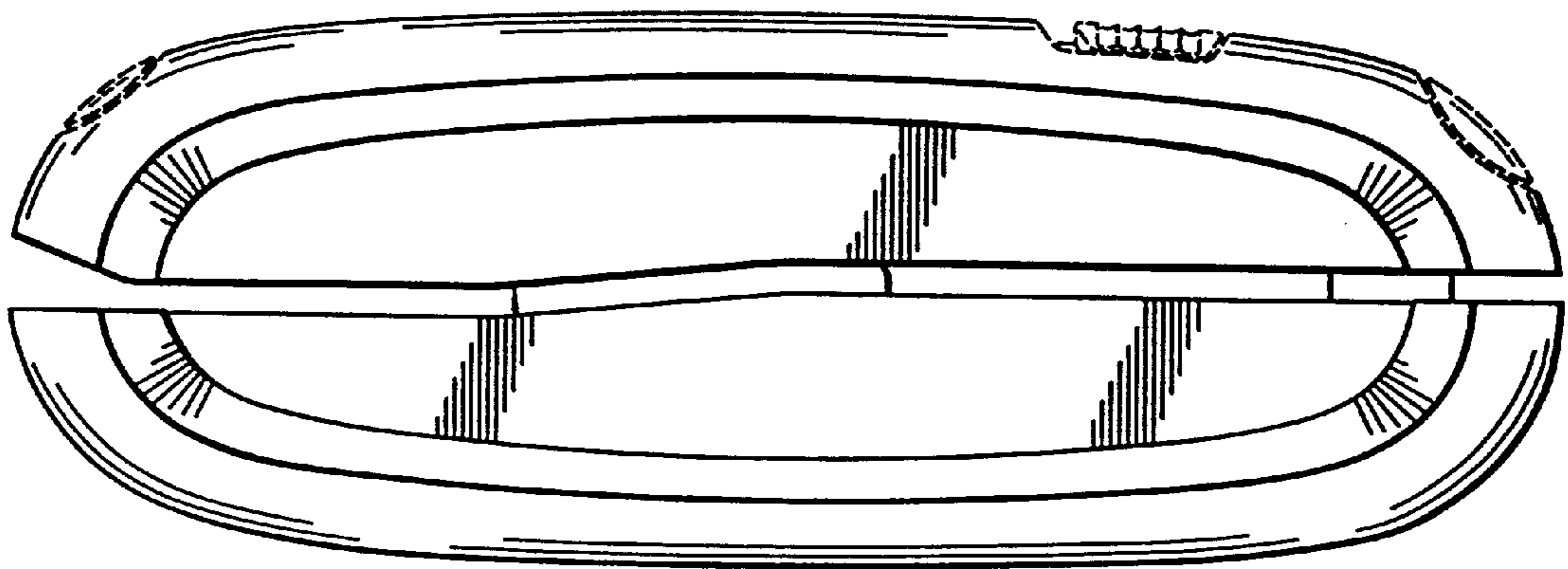


Fig. 19

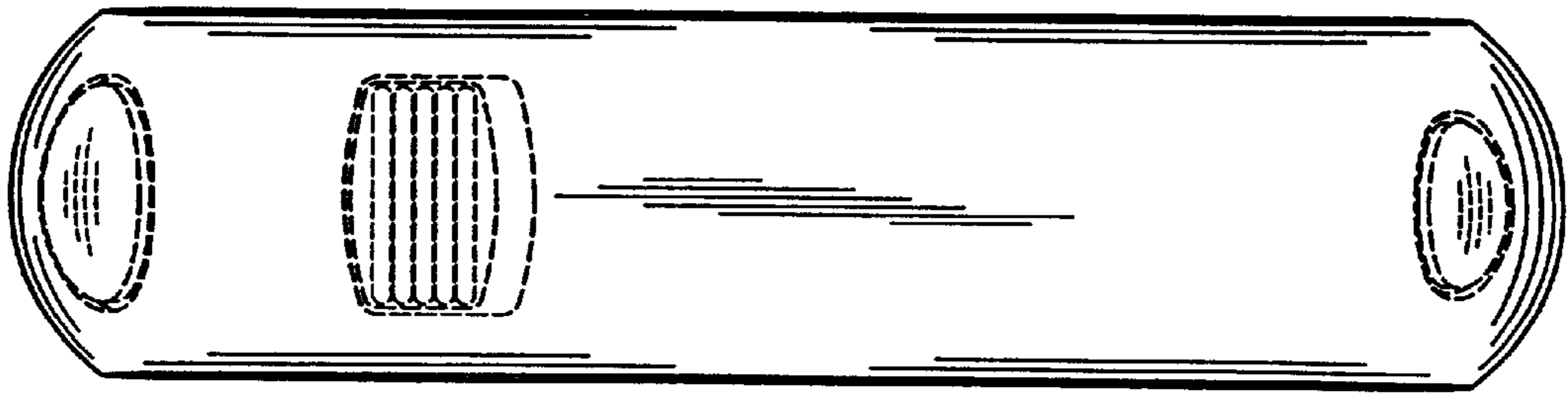


Fig. 20

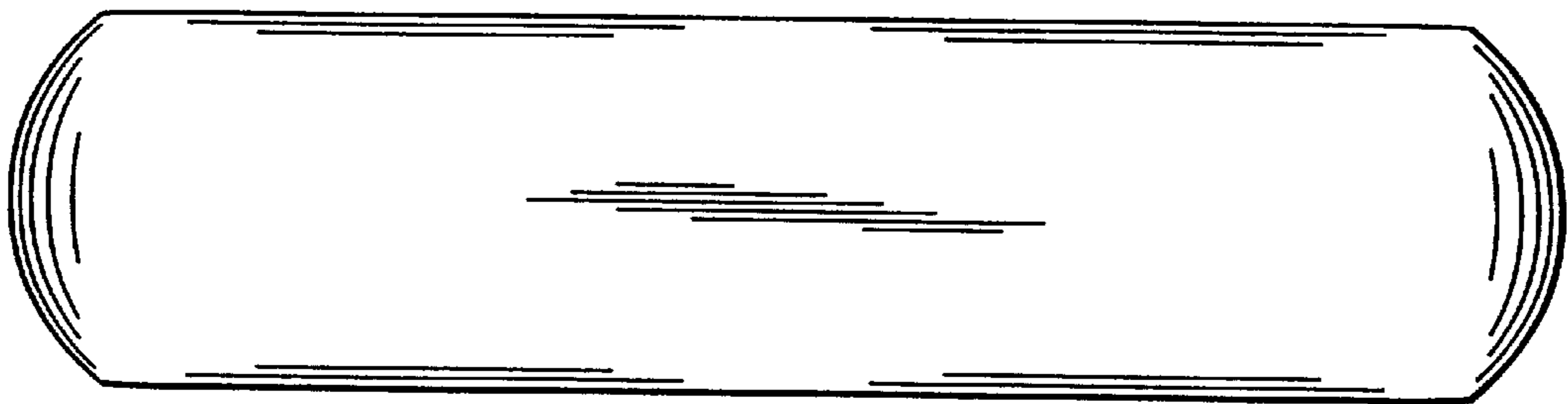


Fig. 21

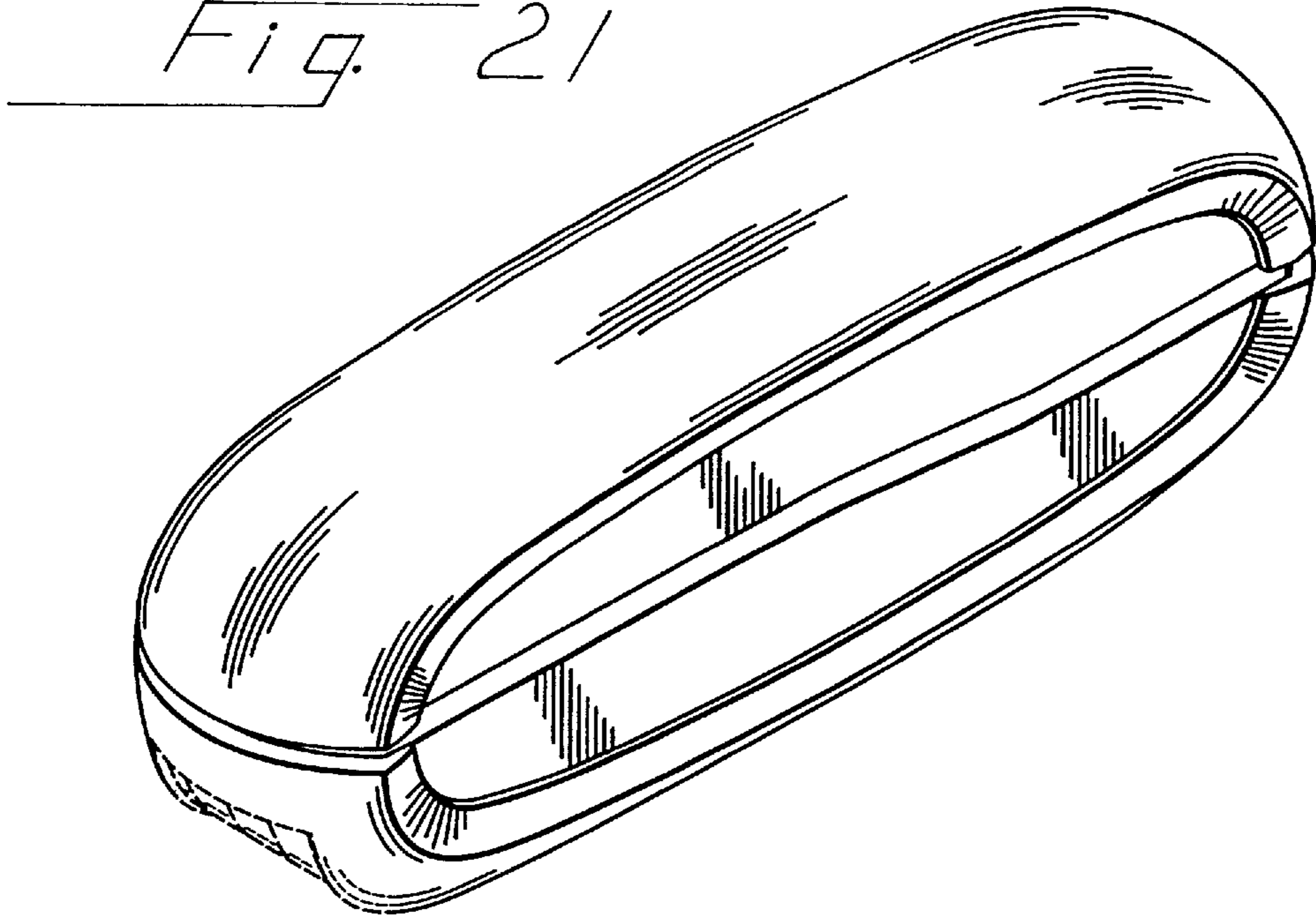


Fig. 22

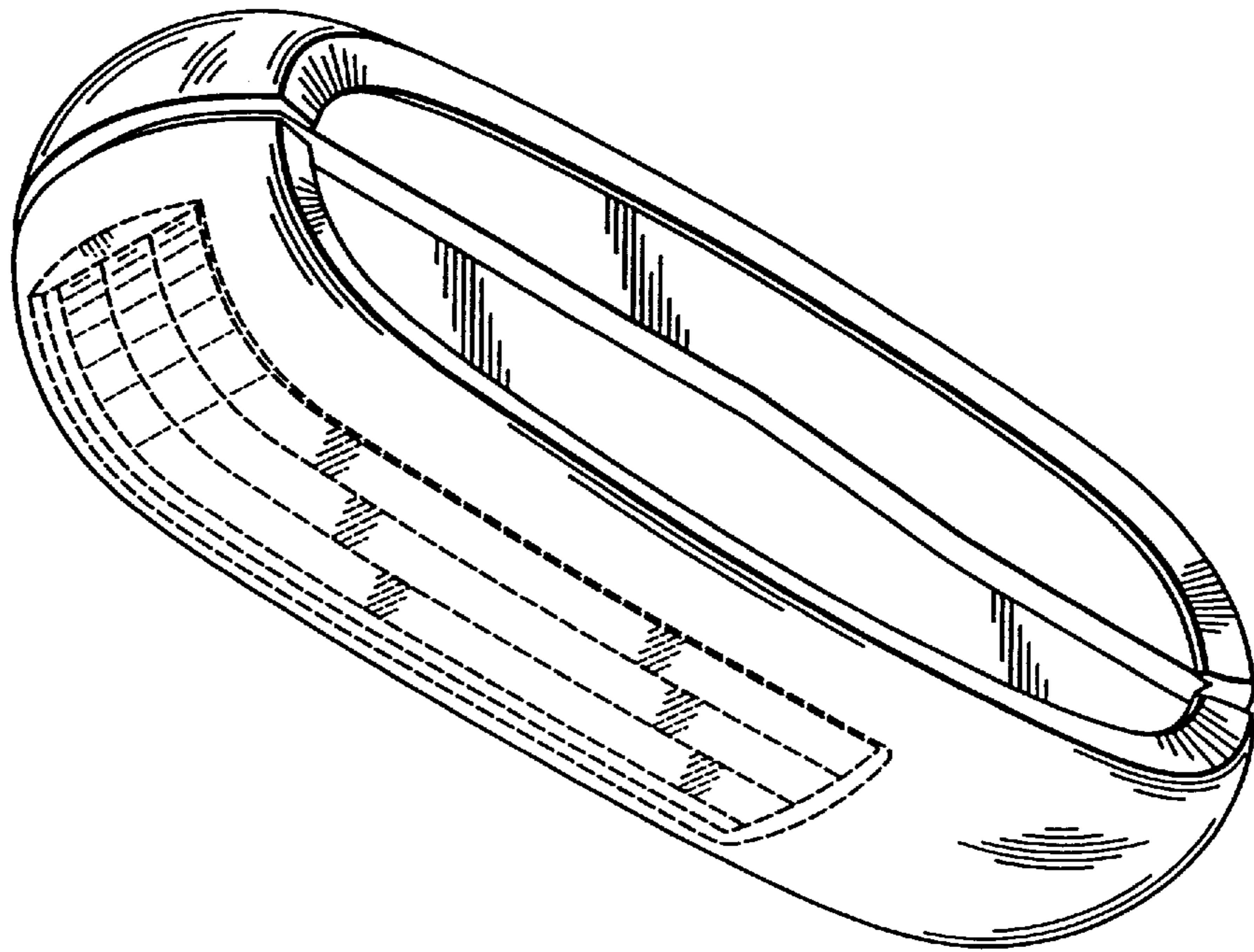


Fig. 23

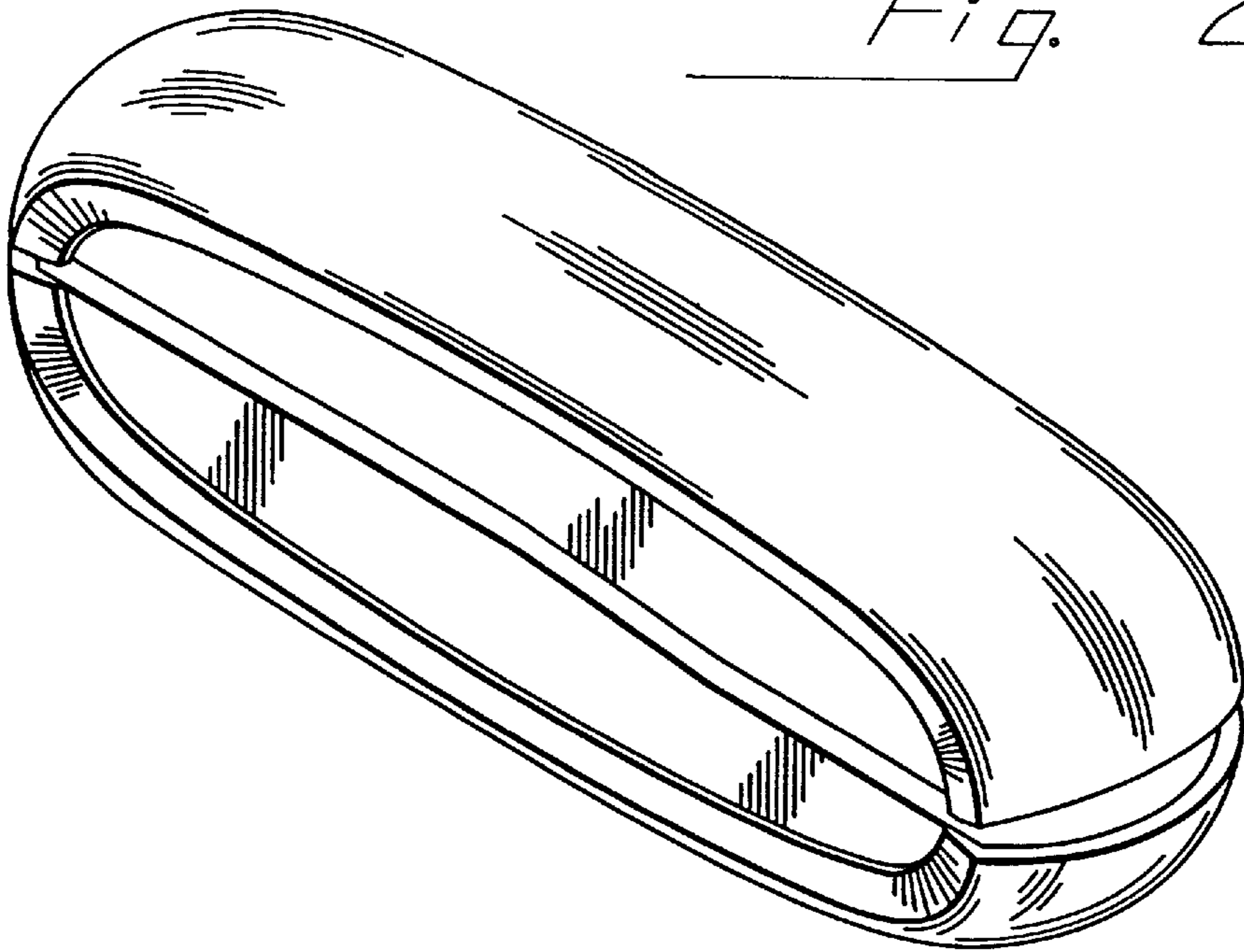


Fig. 24

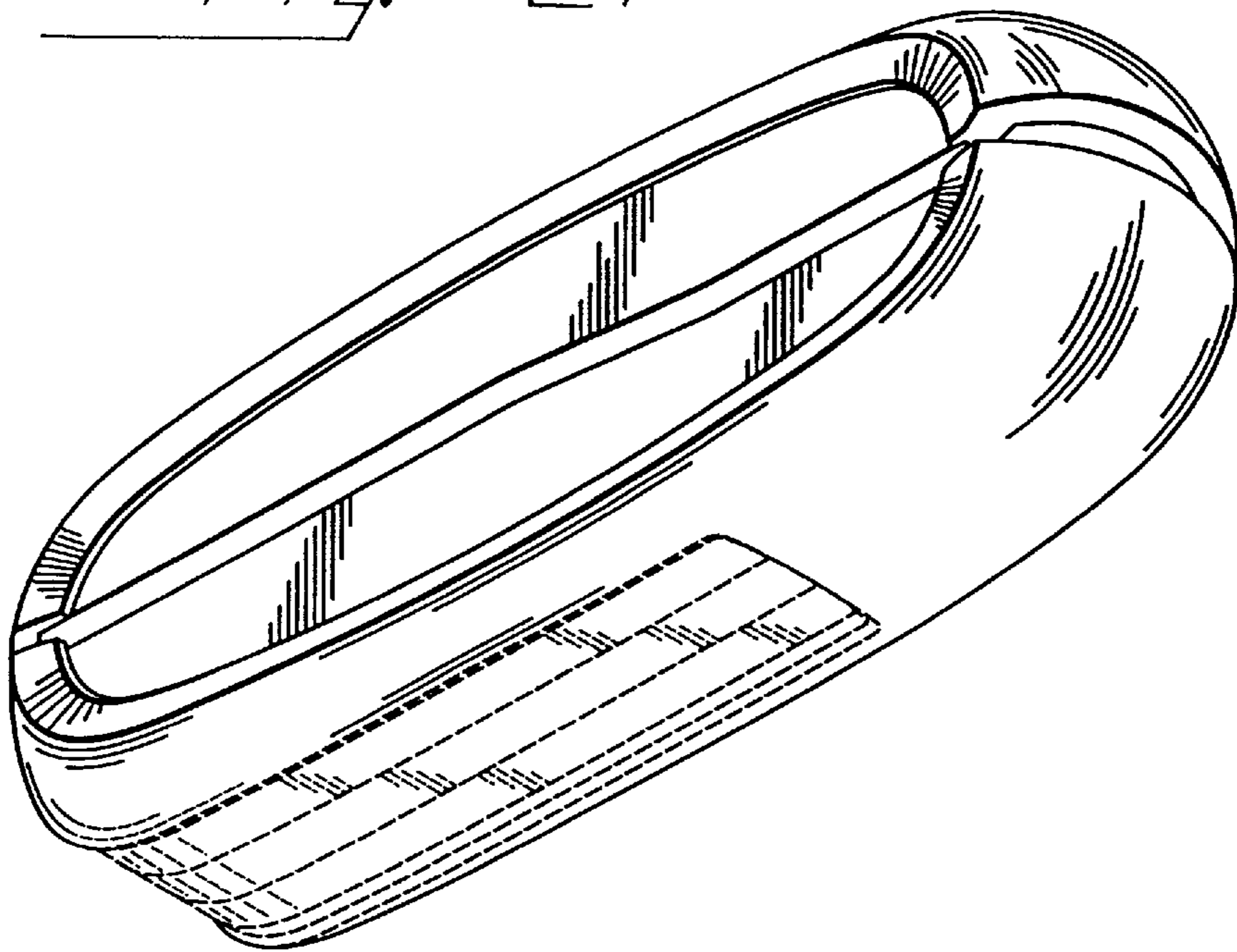


Fig. 25

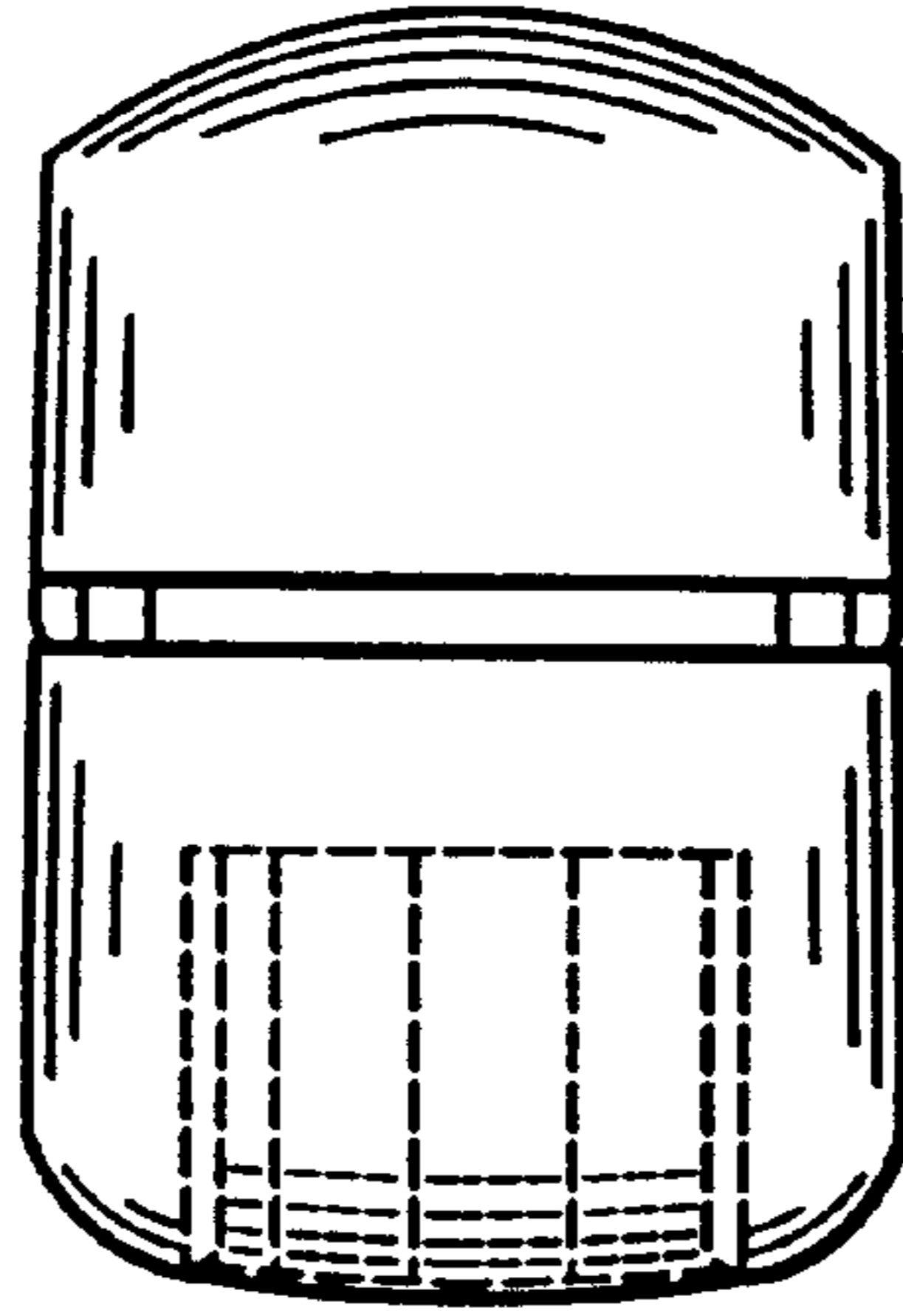


Fig. 26

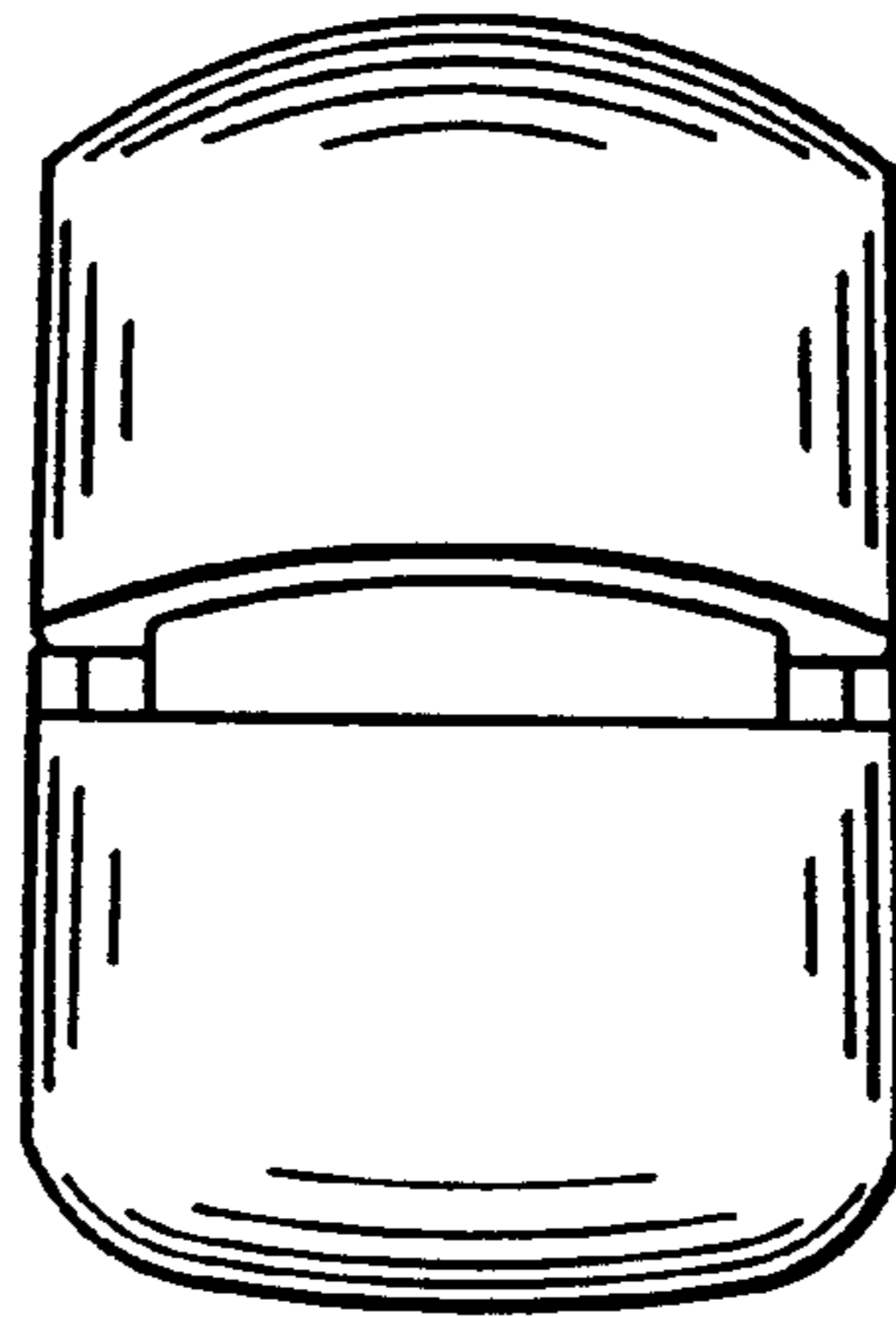


Fig. 27

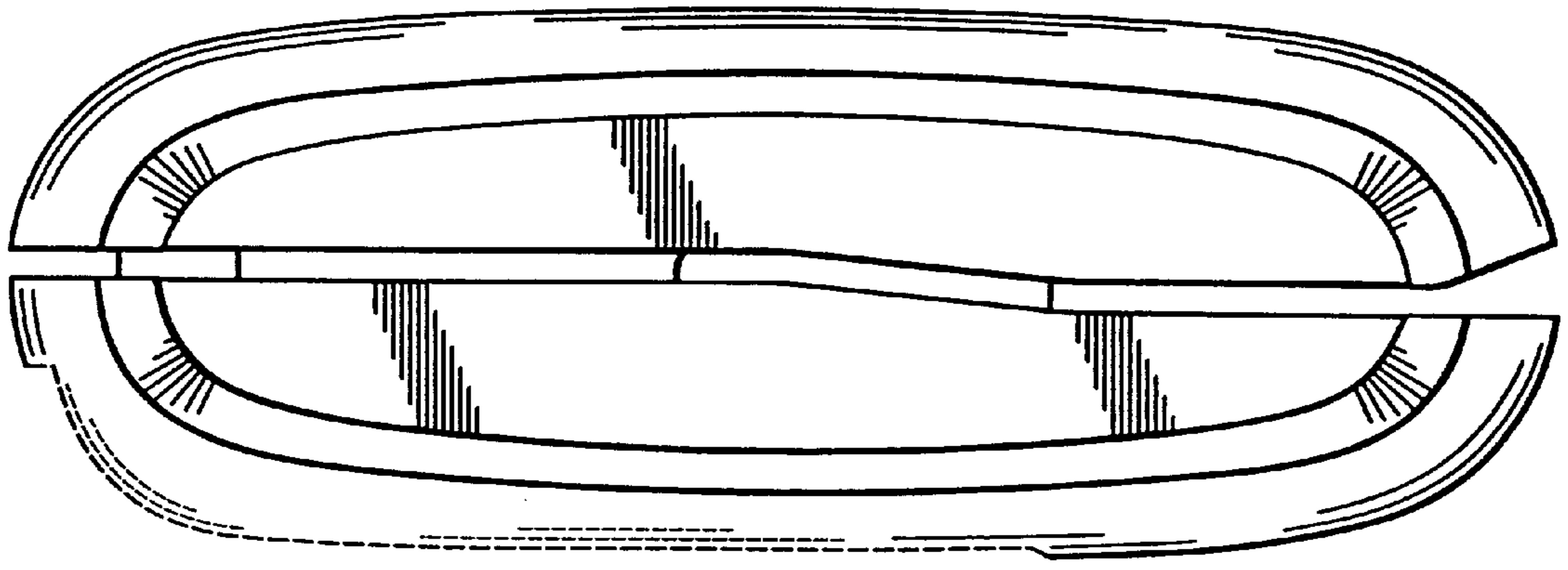


Fig. 28

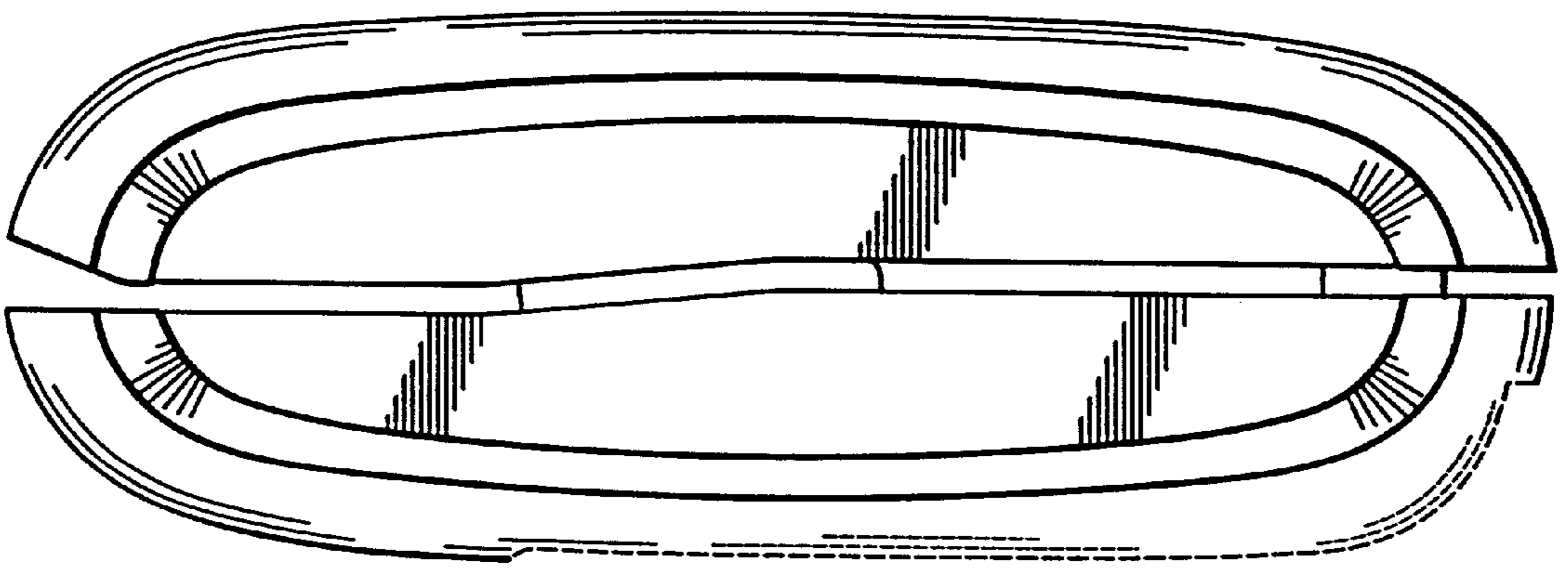


Fig. 29

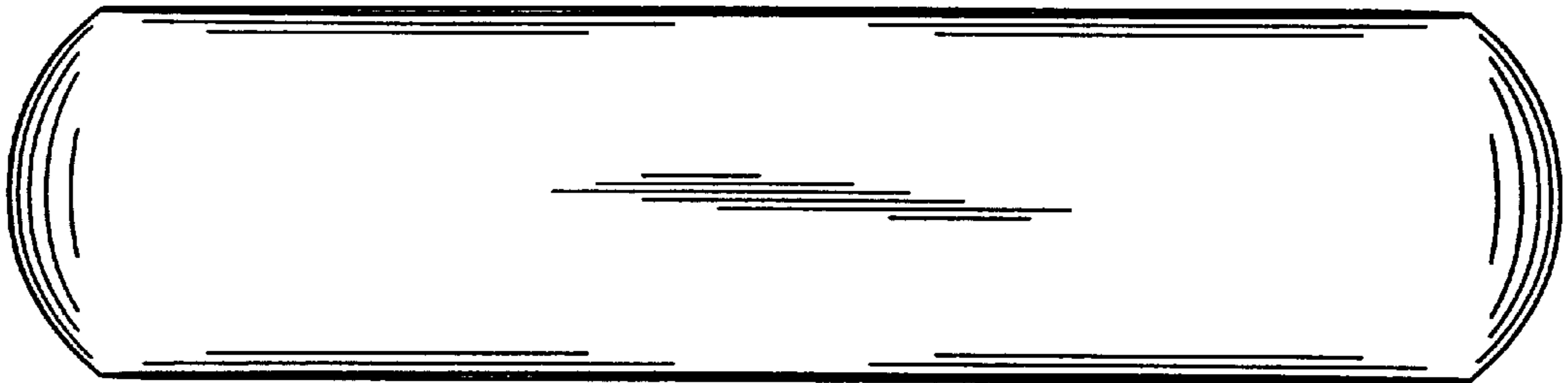


Fig. 30

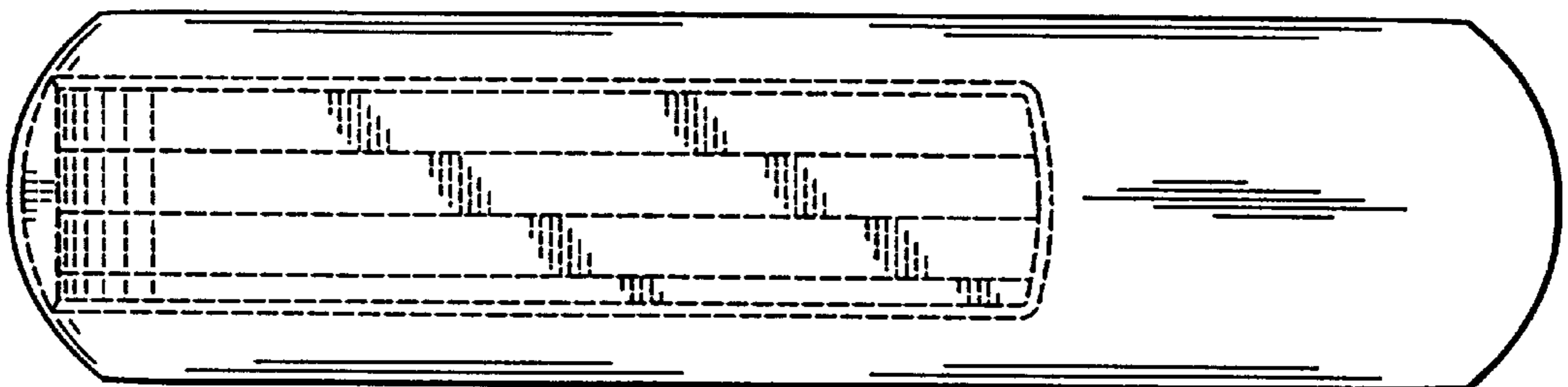


Fig. 31

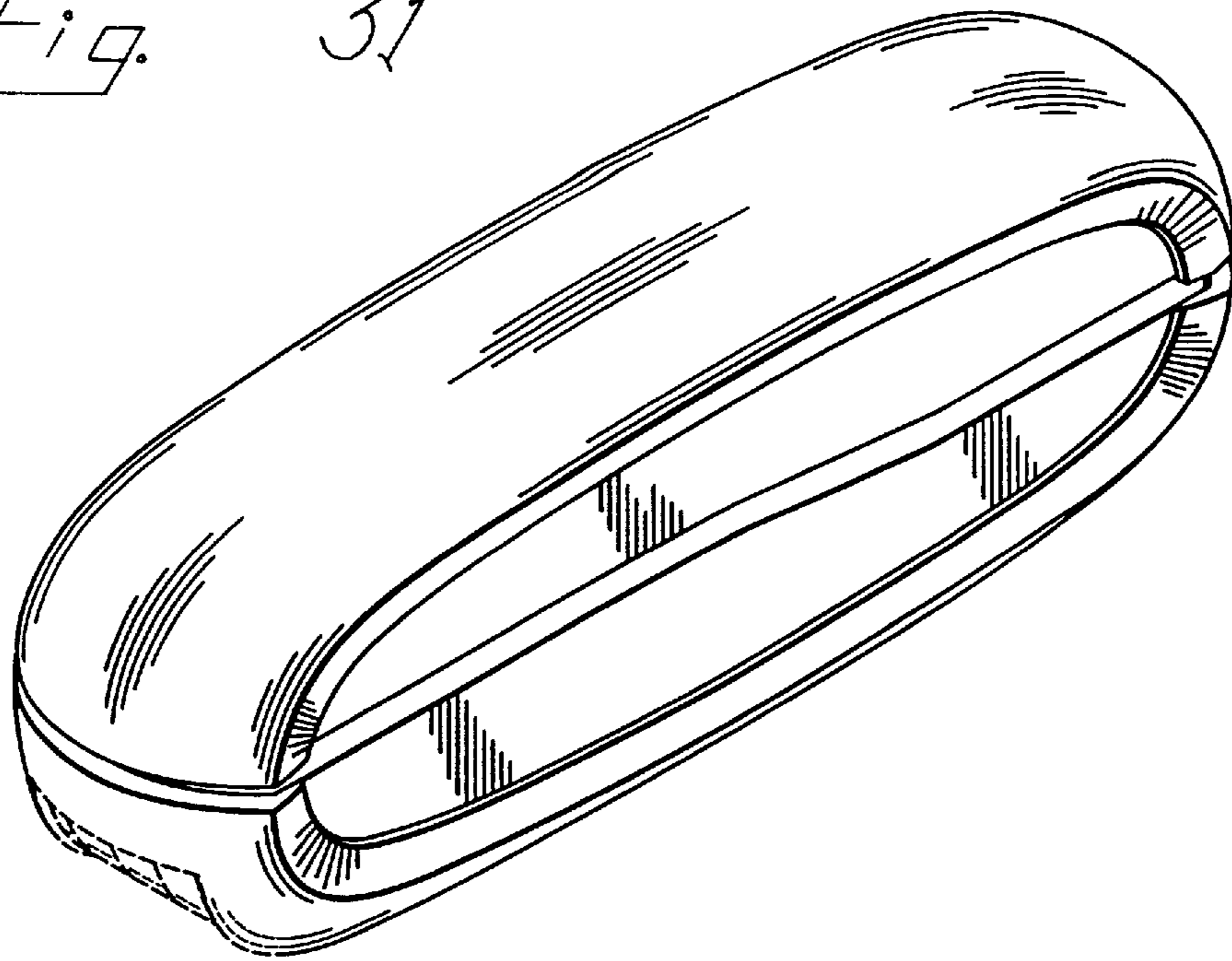


Fig. 32

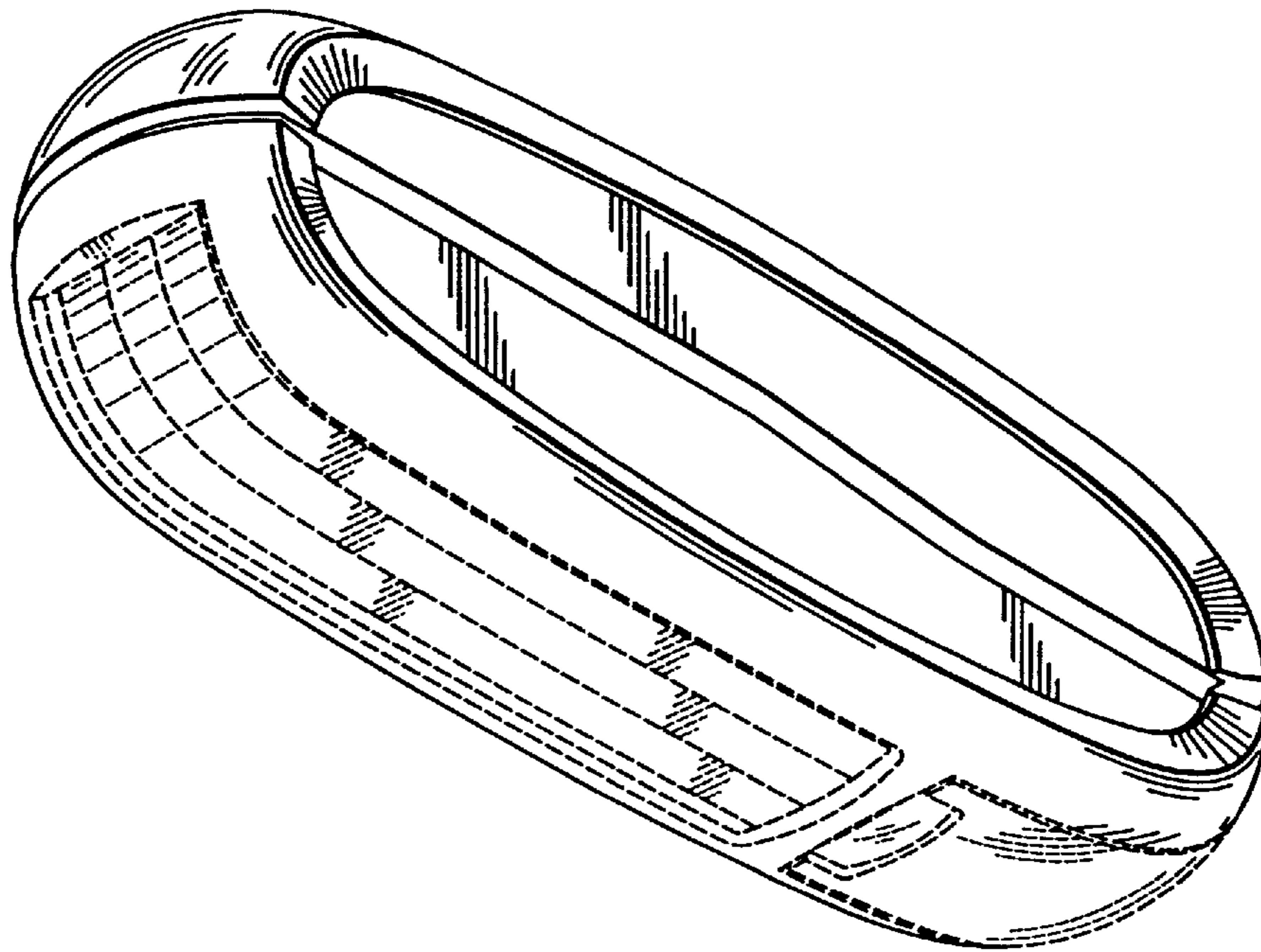


Fig. 33

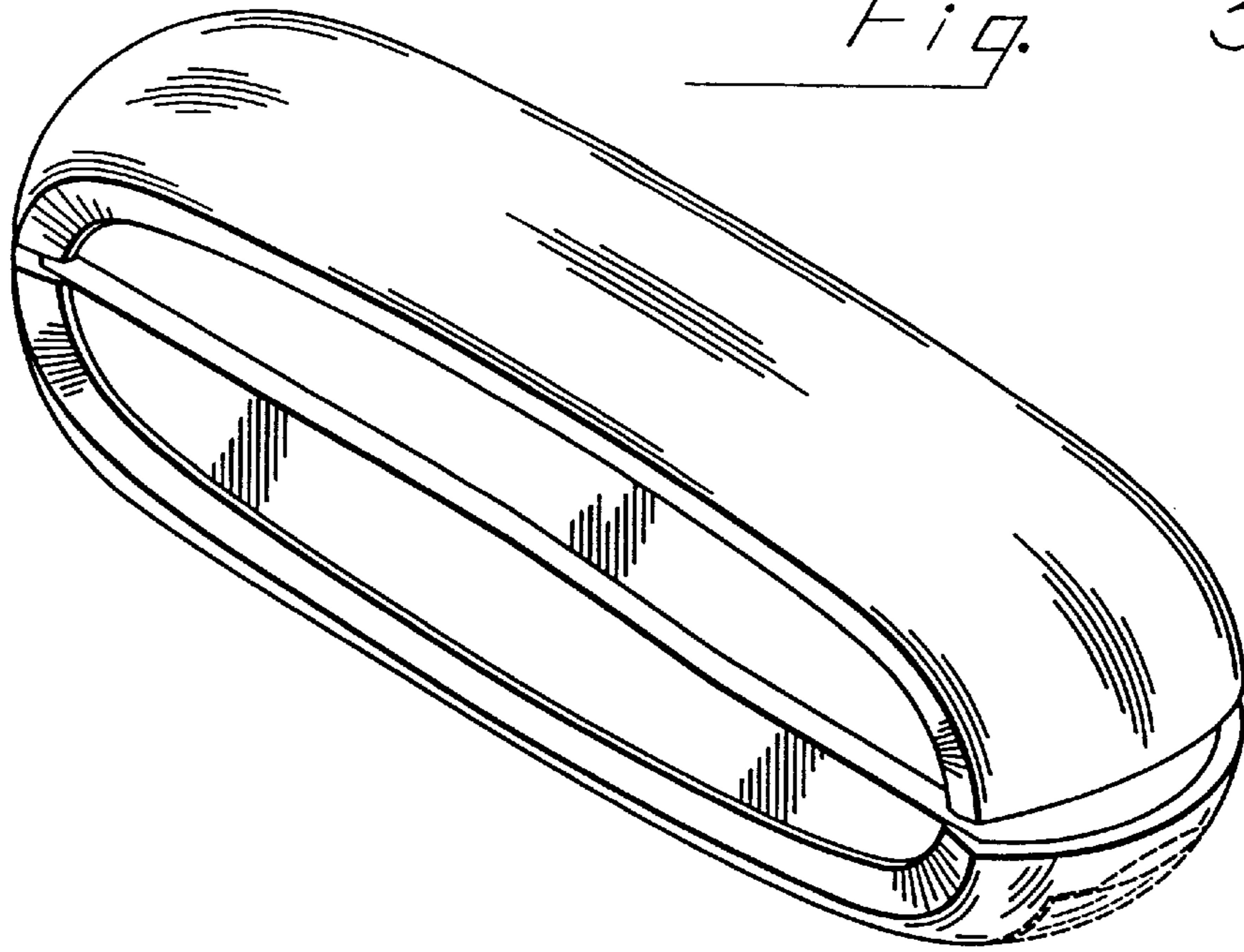


Fig. 34

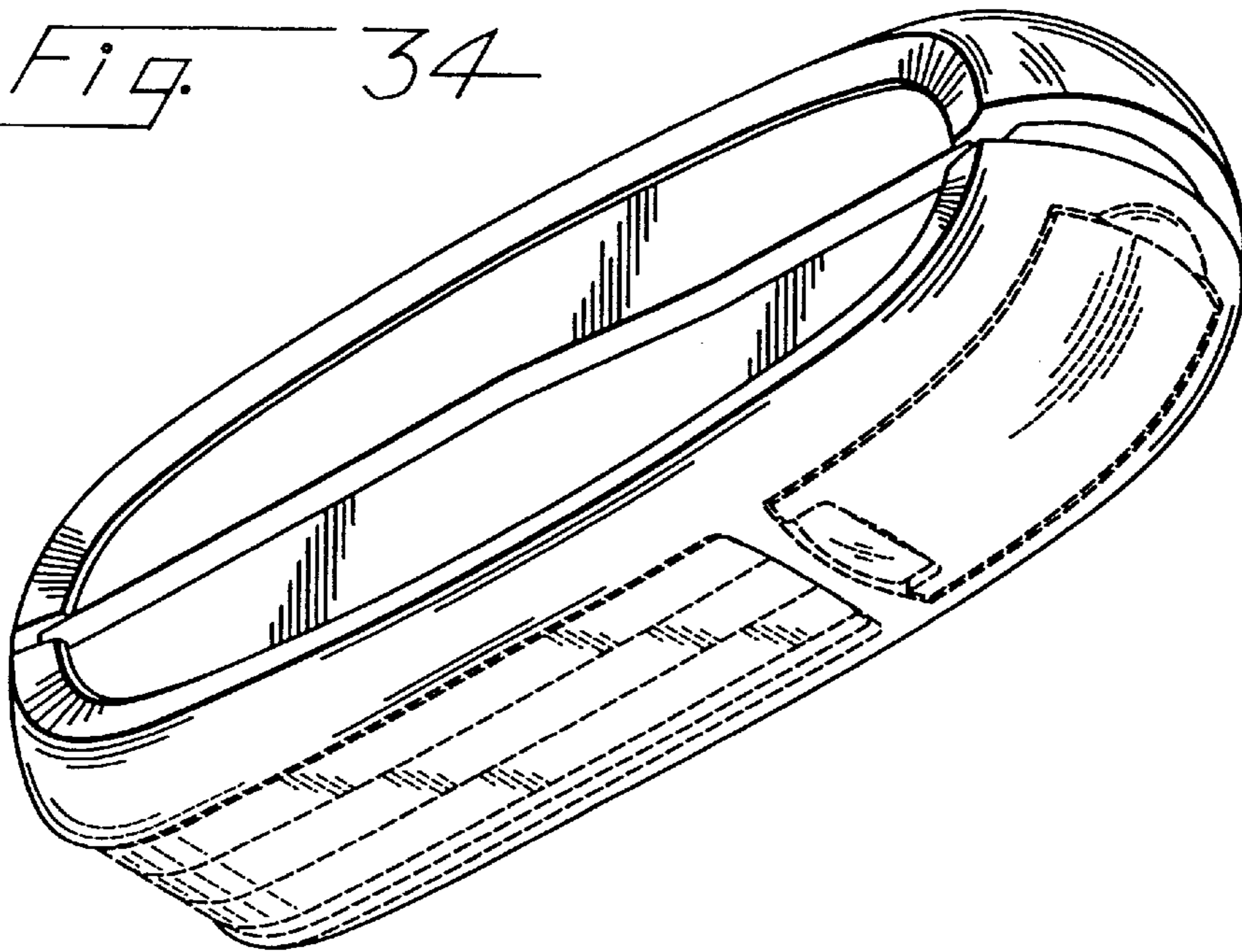


Fig. 35

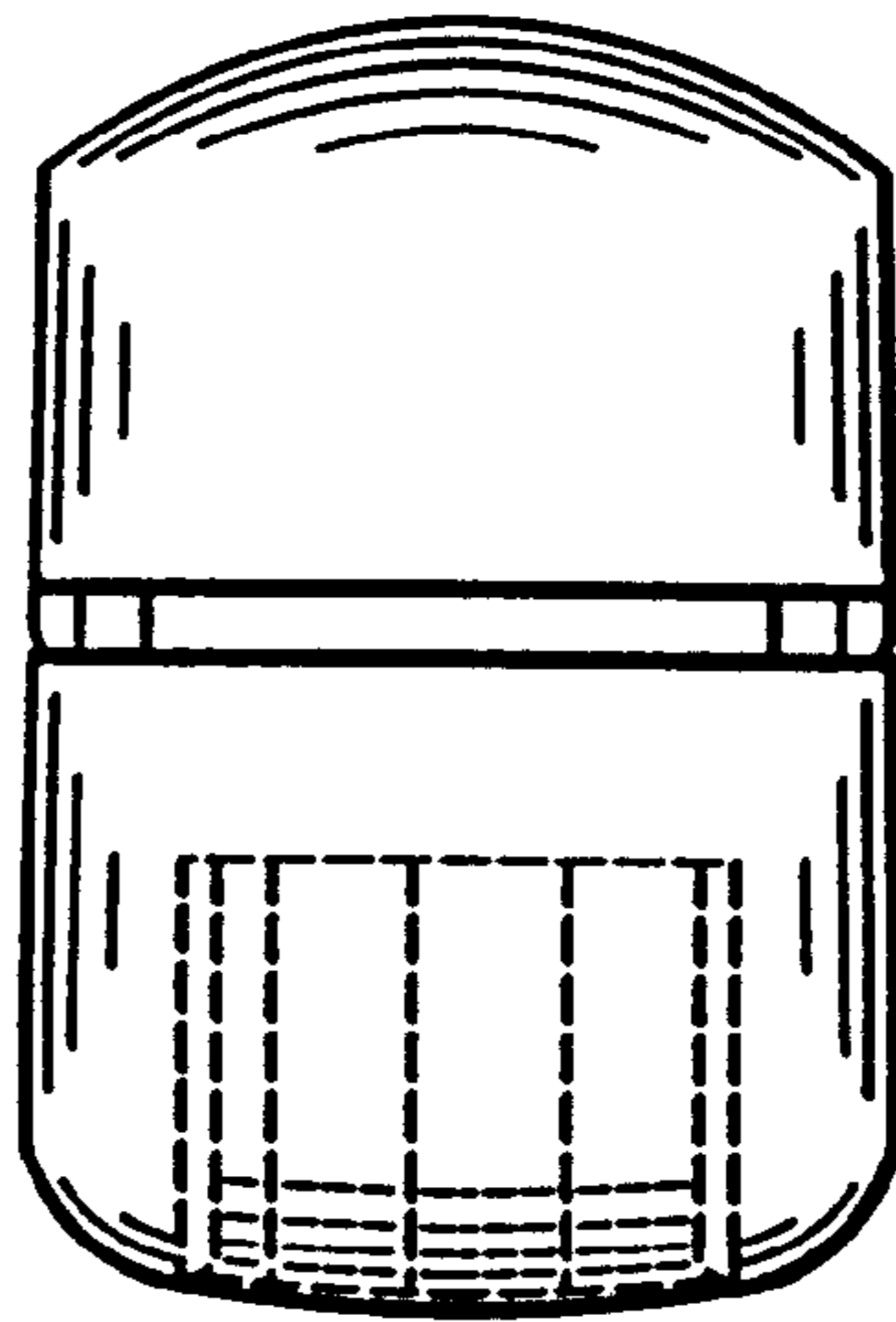


Fig. 36

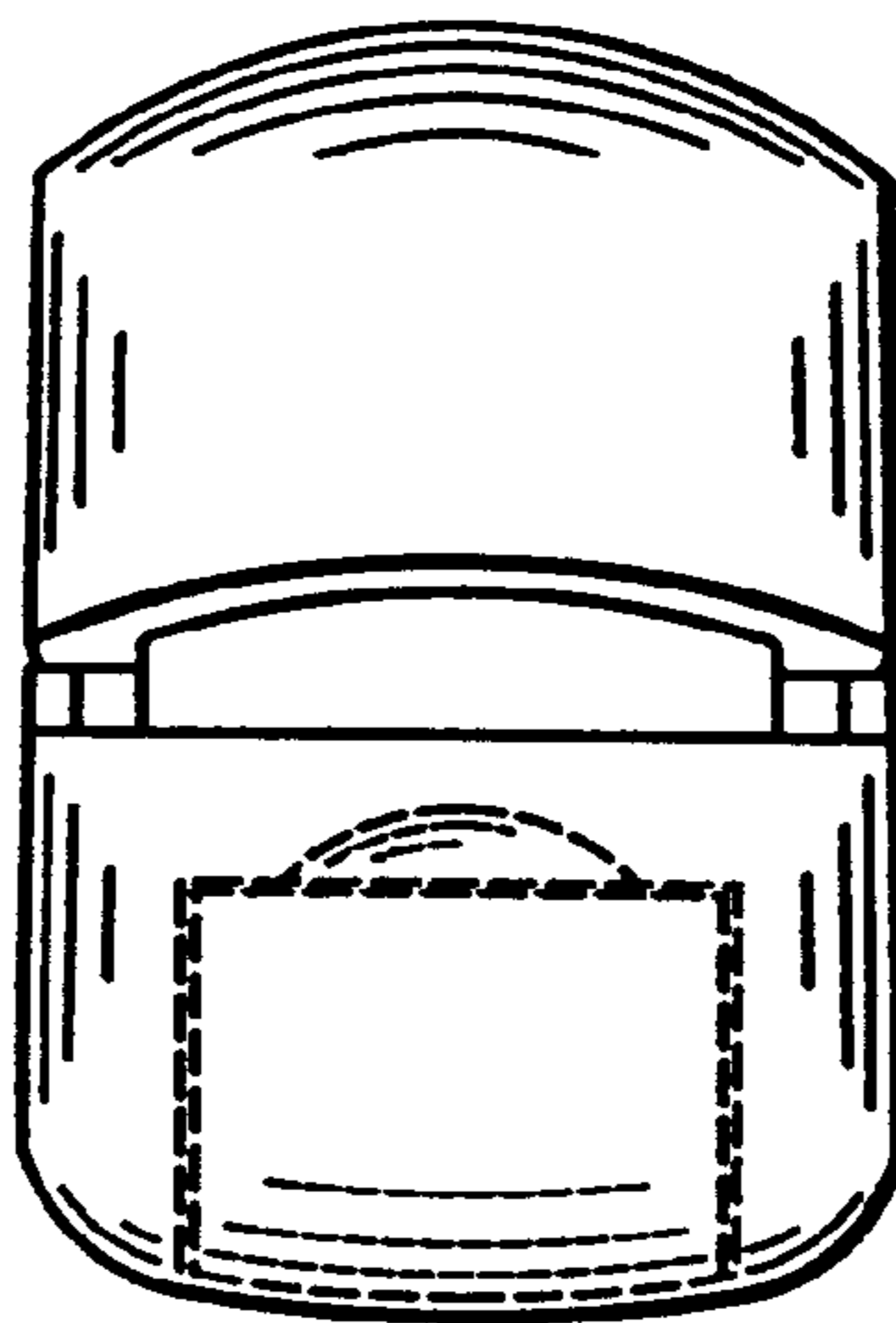


Fig. 37

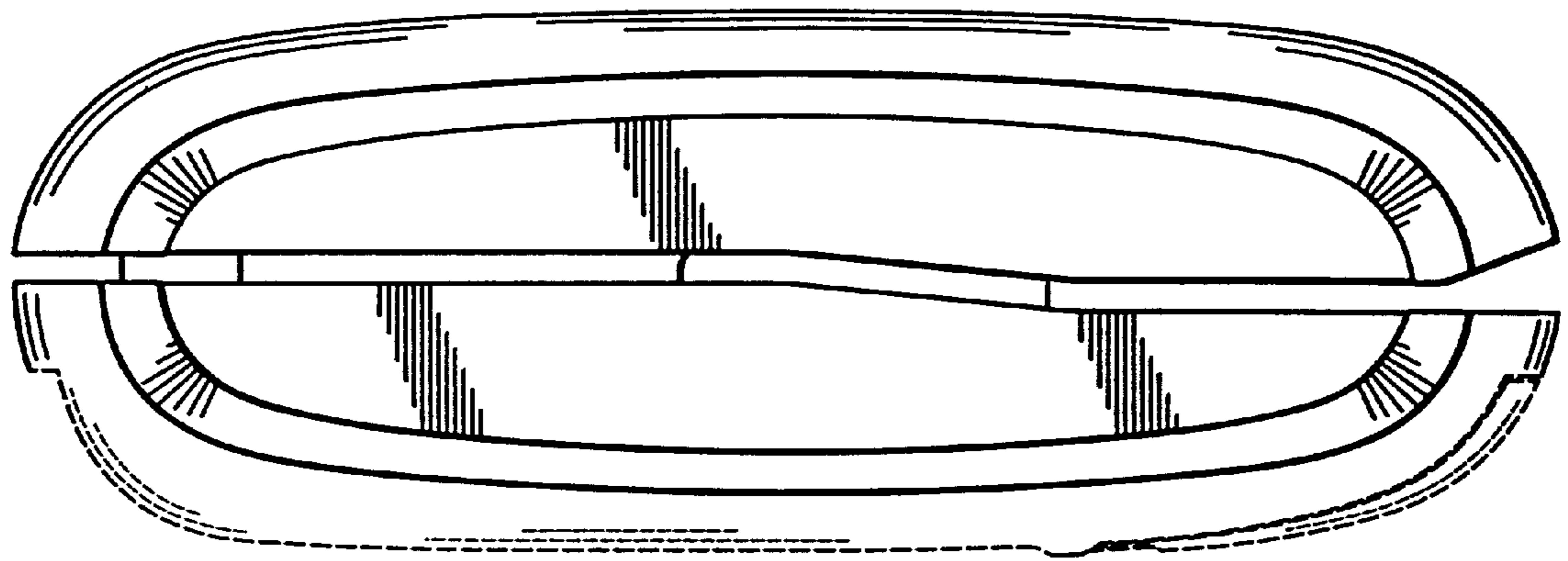


Fig. 38

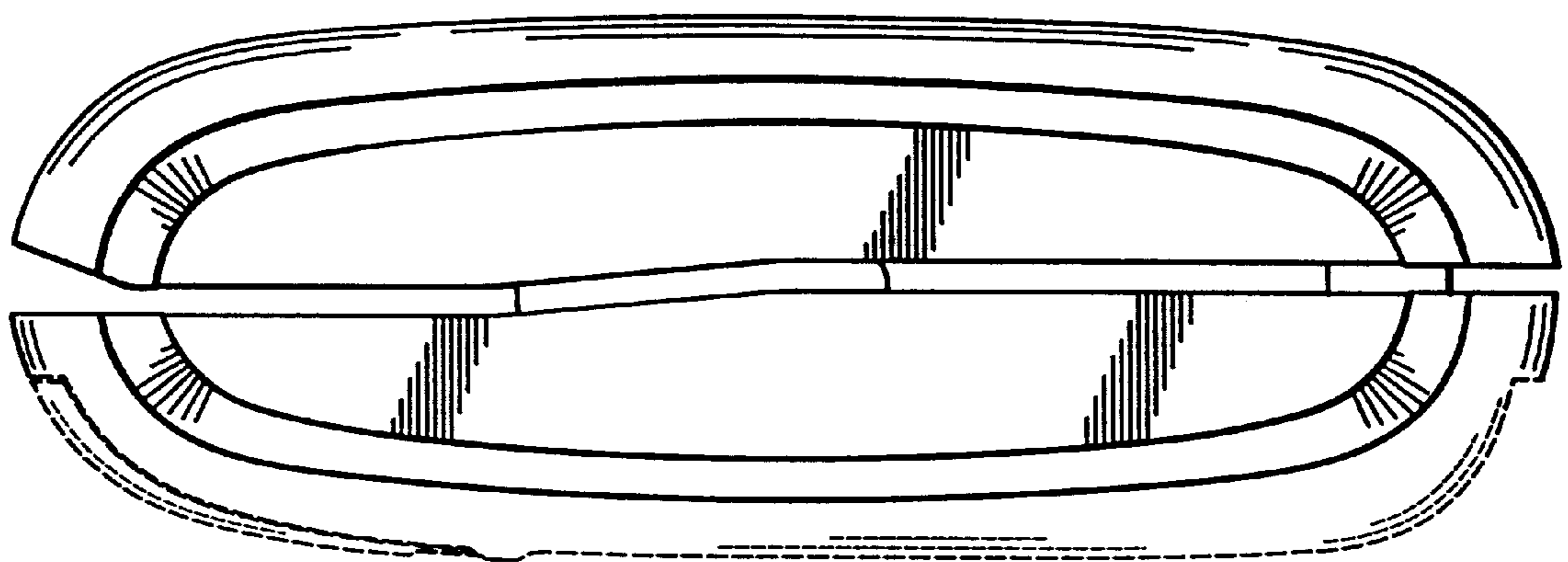


Fig. 39

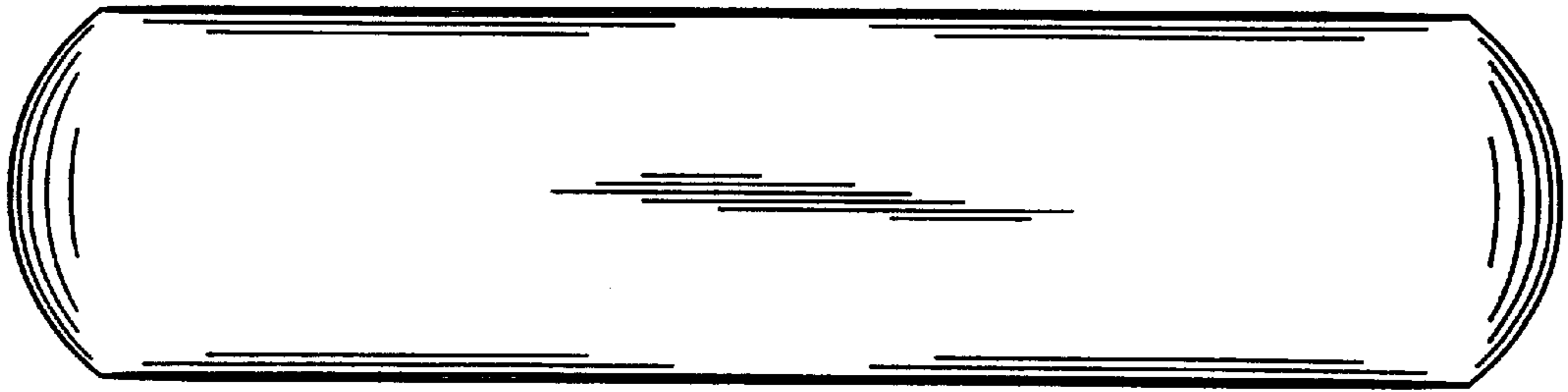


Fig. 40

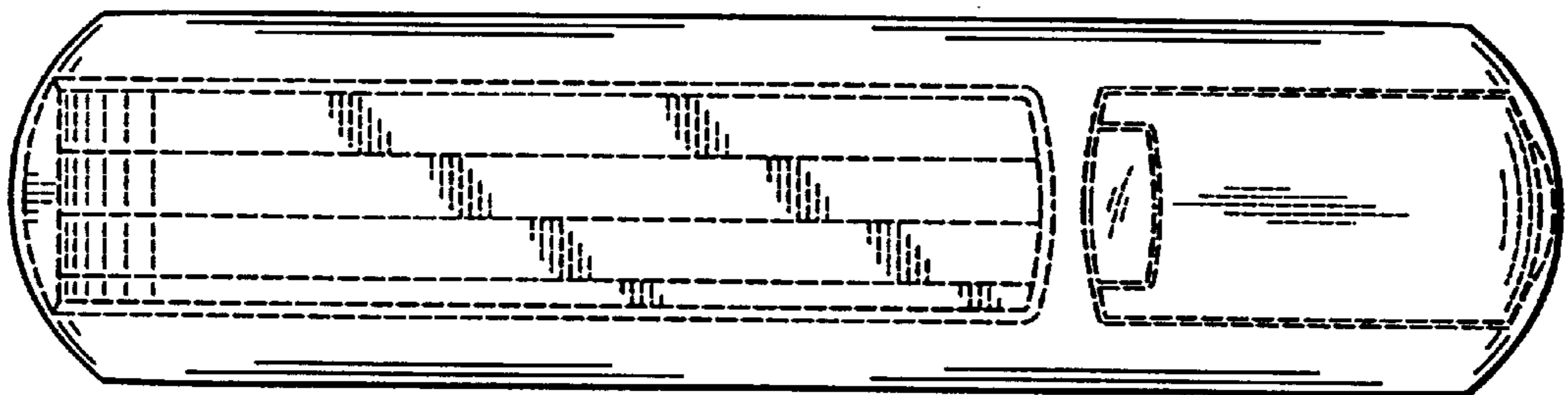


Fig. 41

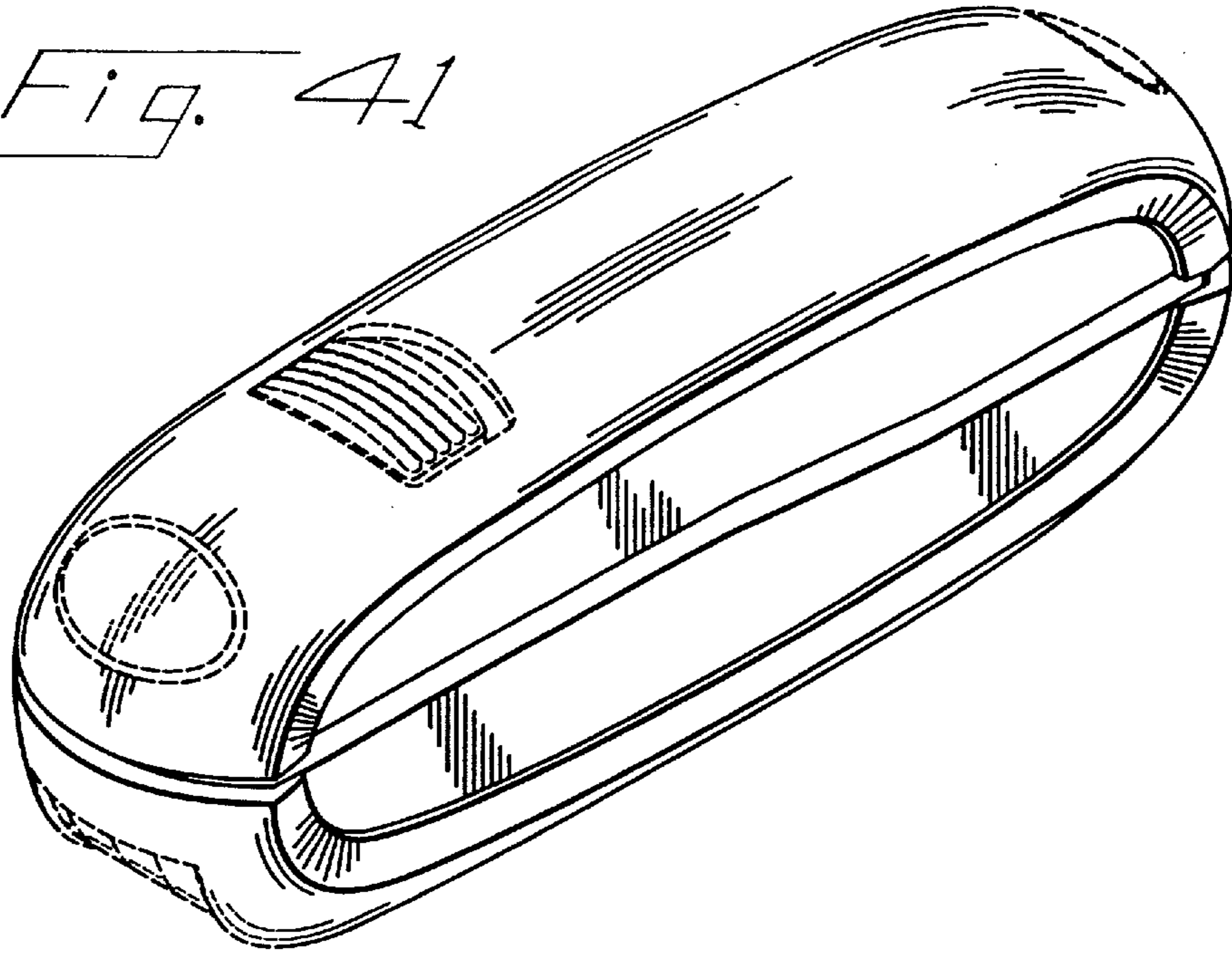
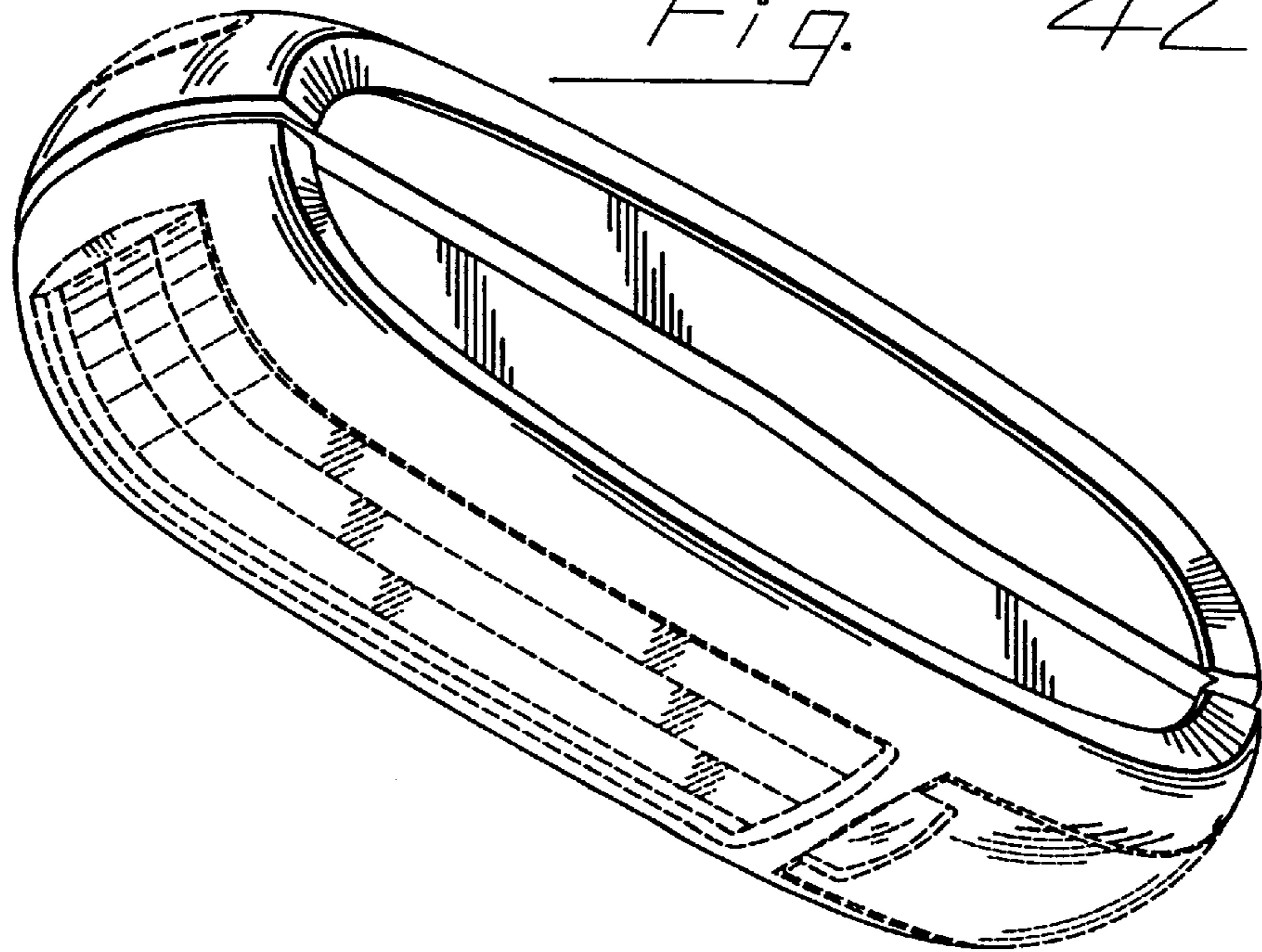


Fig. 42



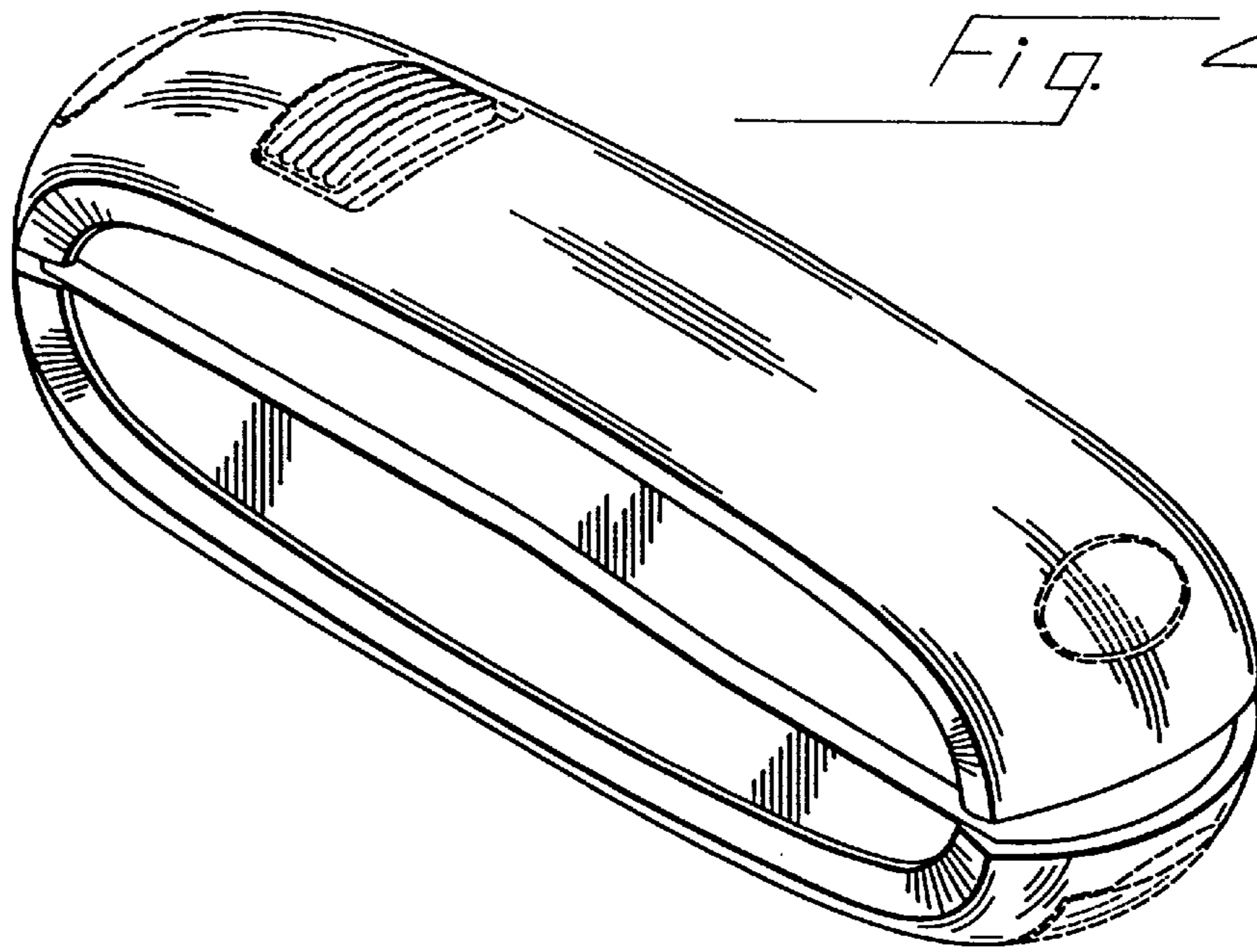


Fig. 43

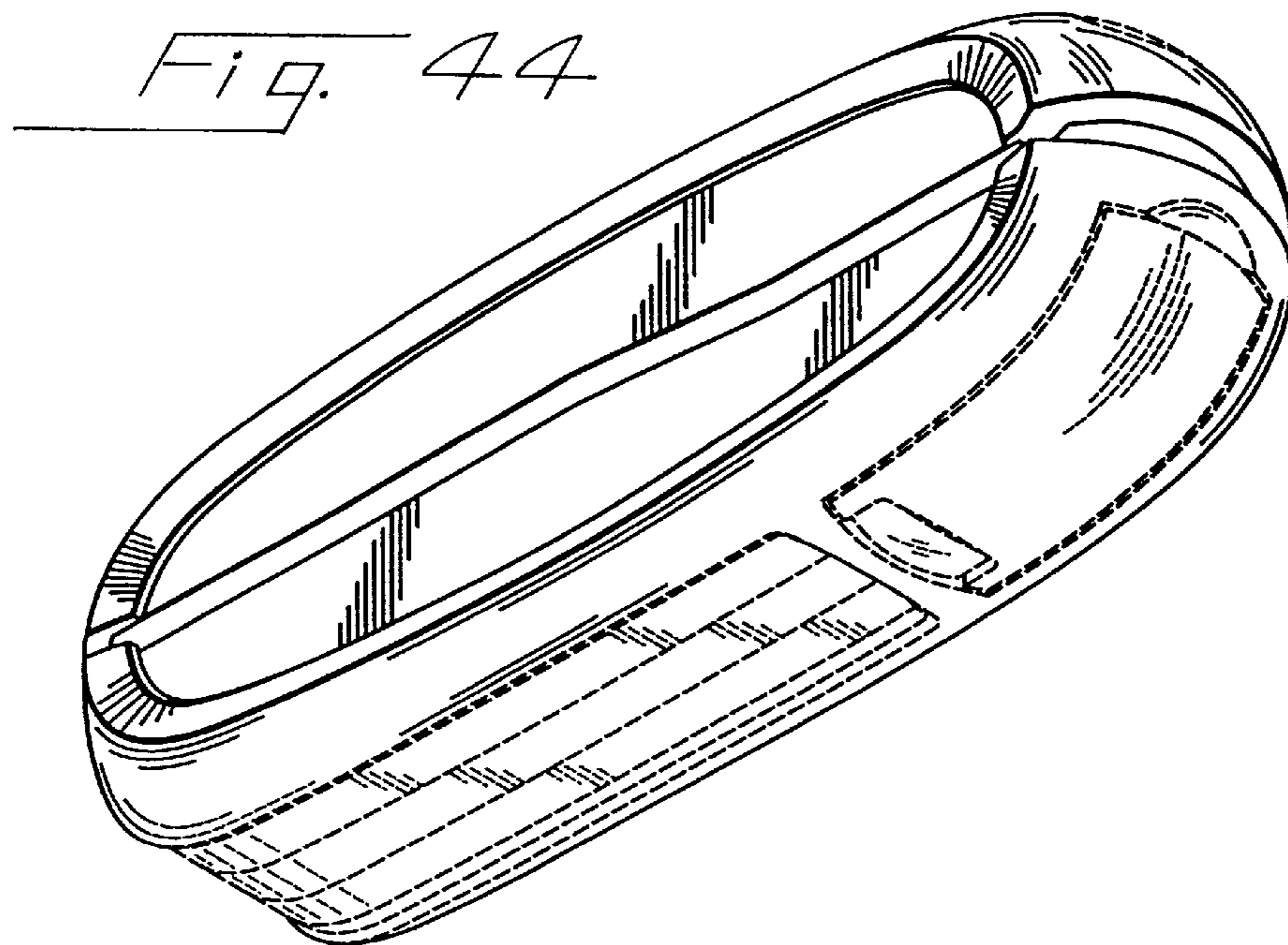


Fig. 44

Fig. 45

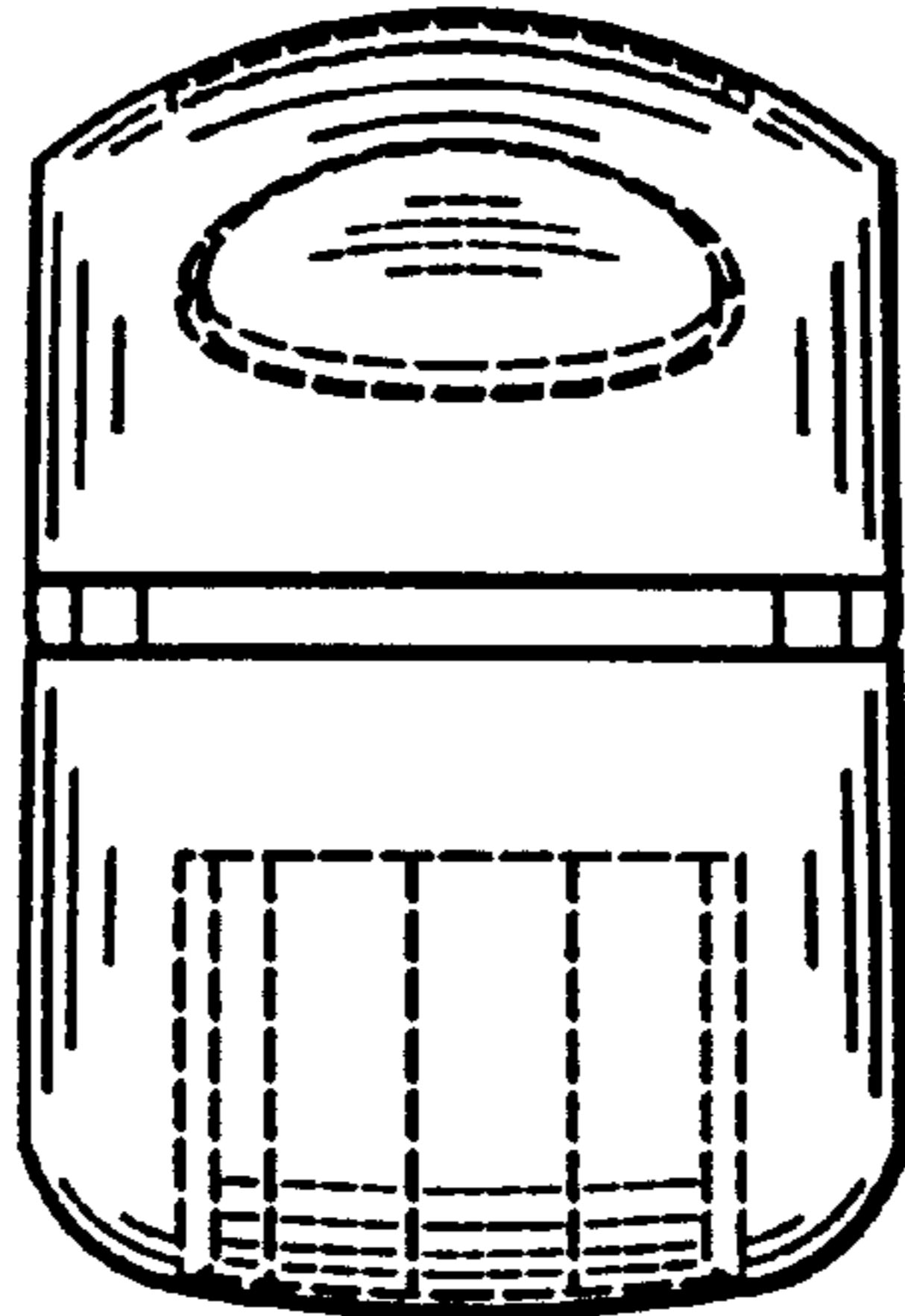


Fig. 46

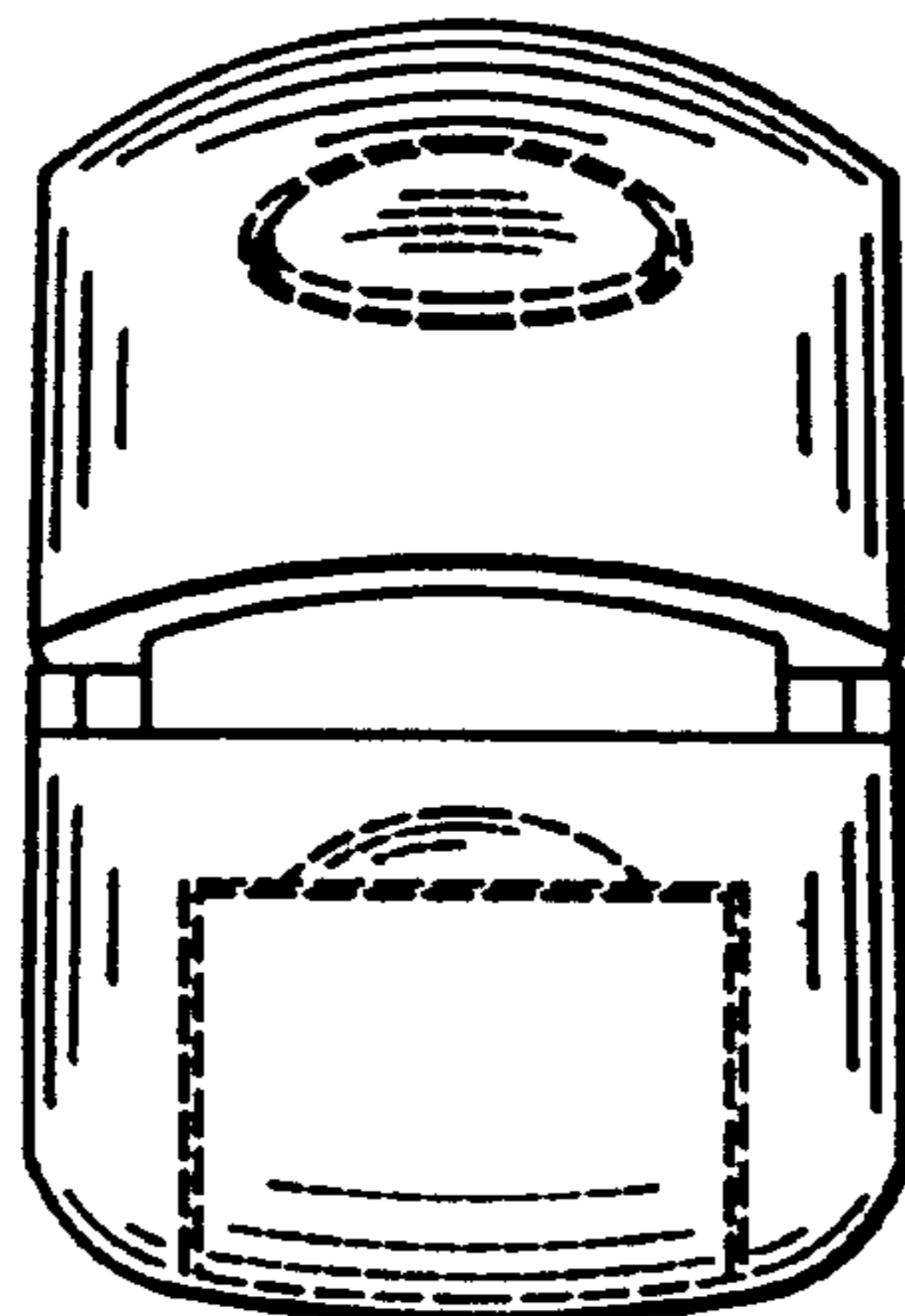


Fig. 47

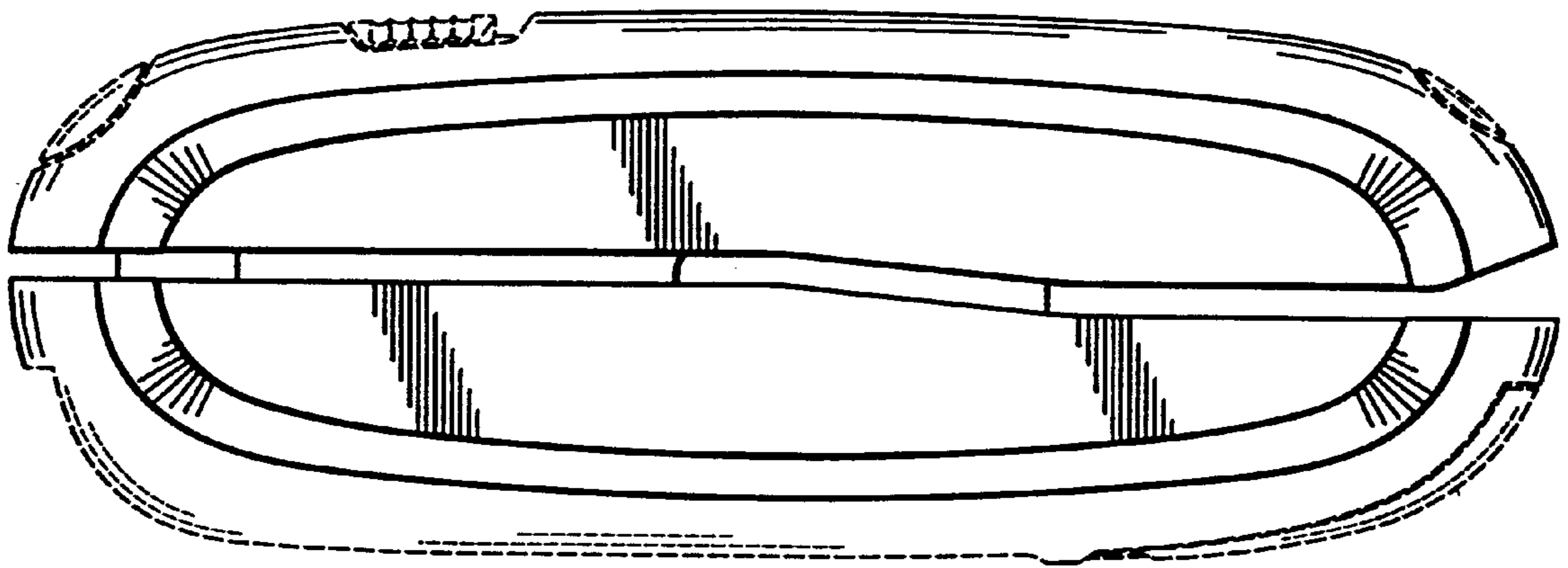


Fig. 48

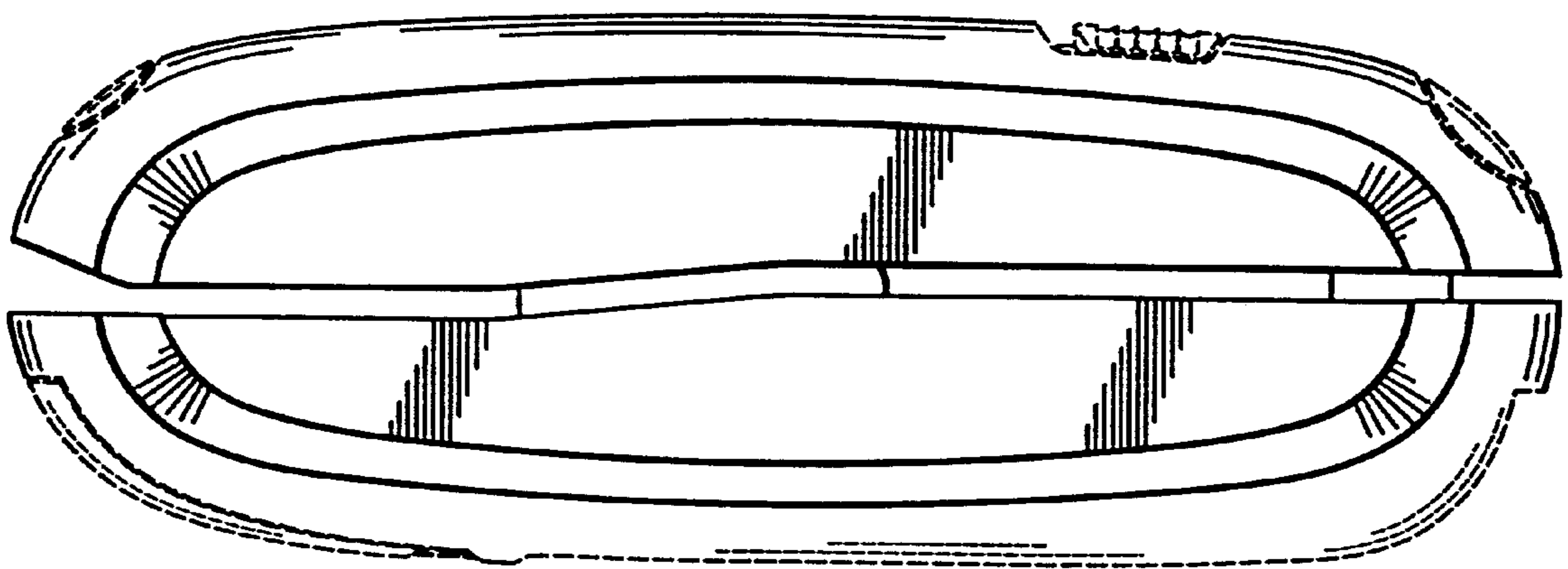


Fig. 49

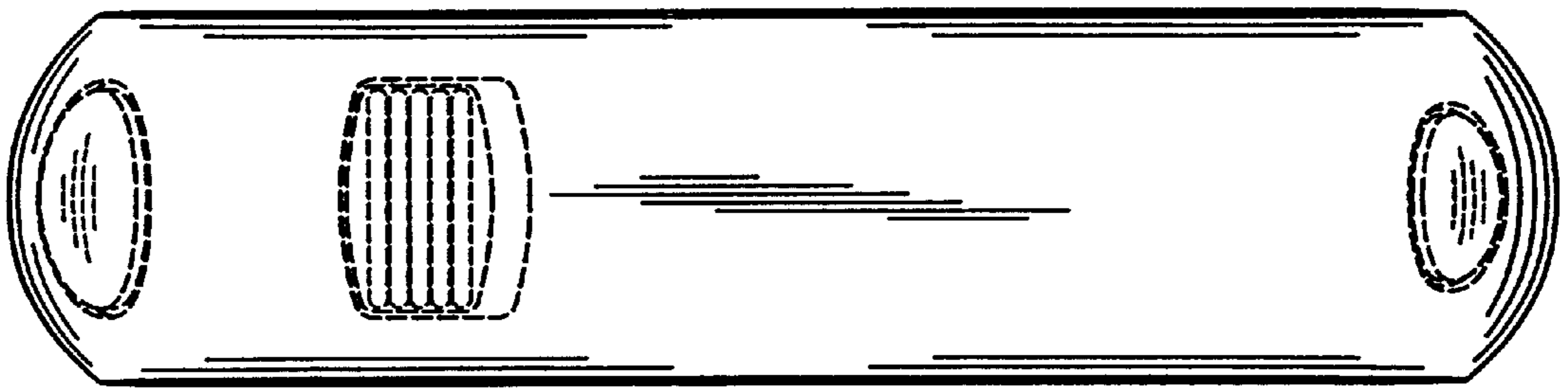


Fig. 50

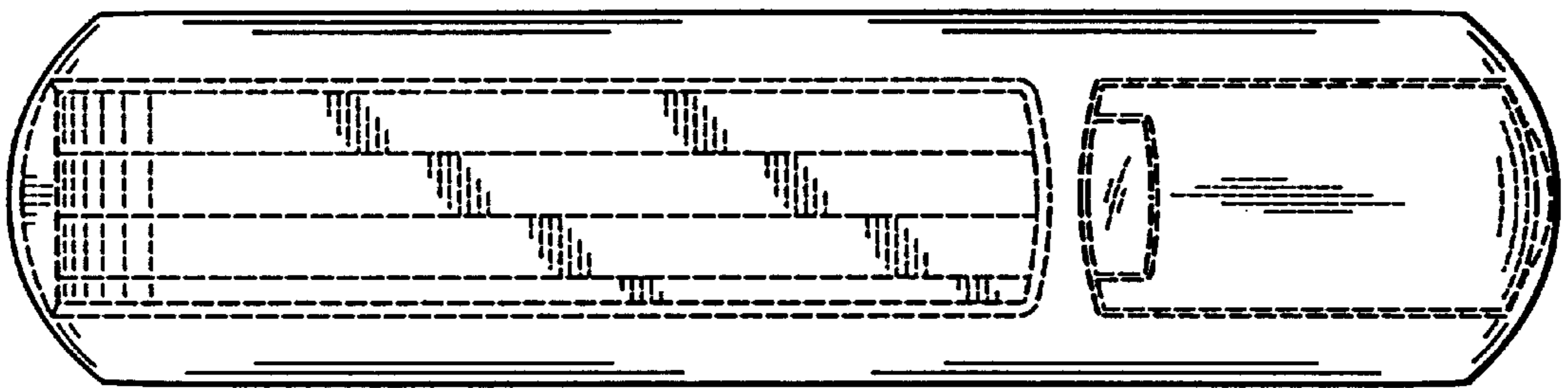


Fig. 51

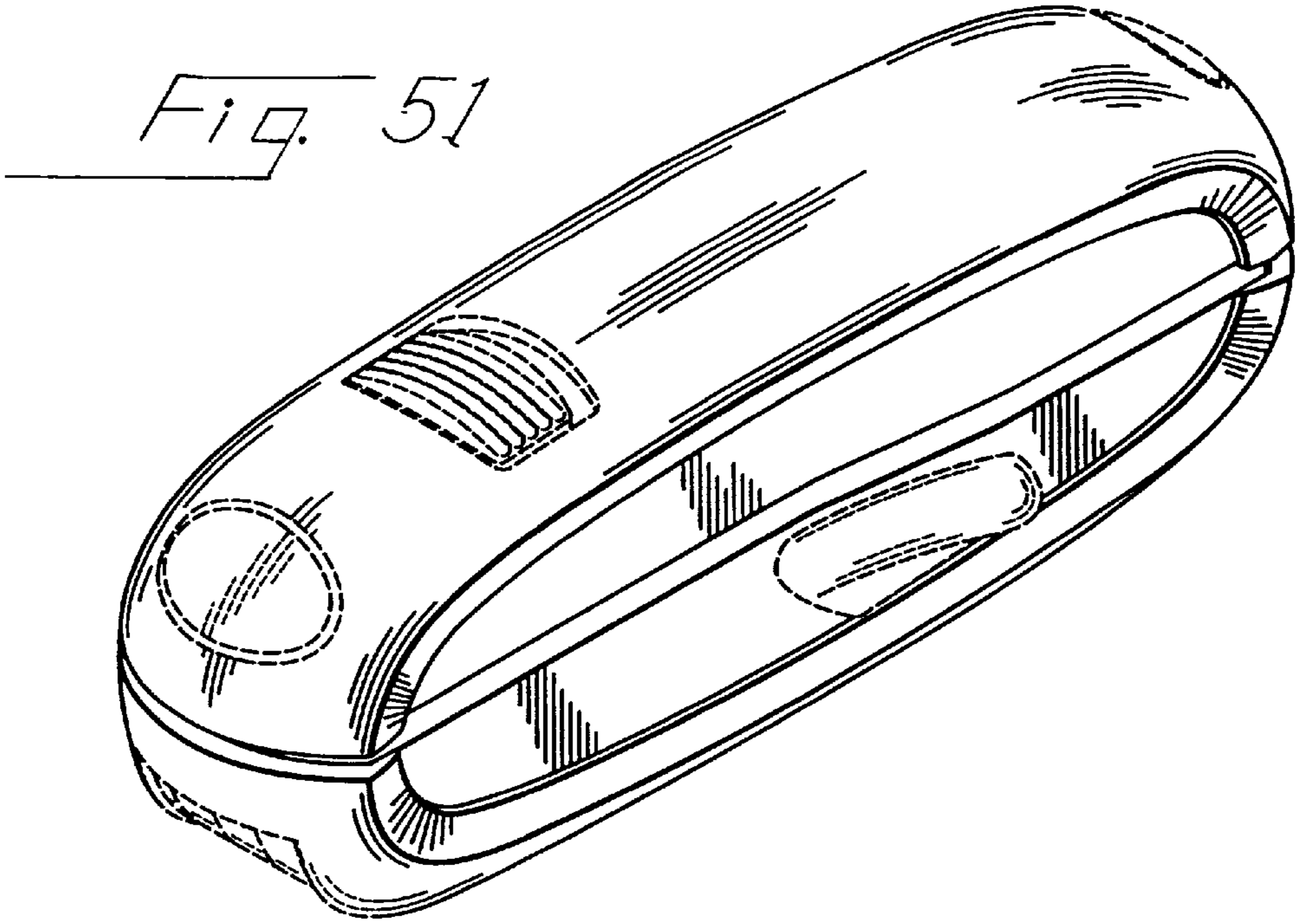


Fig. 52

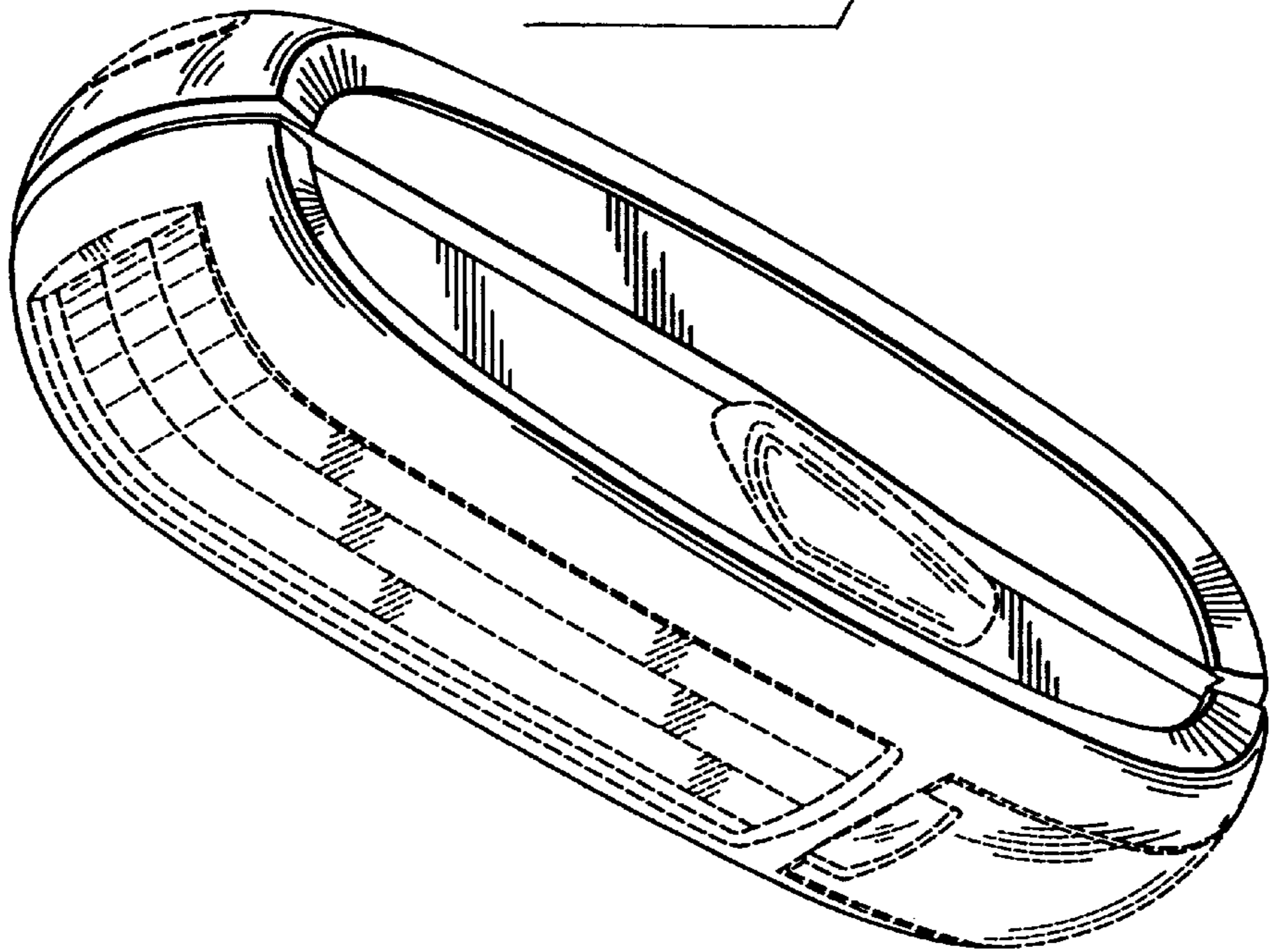


Fig. 53

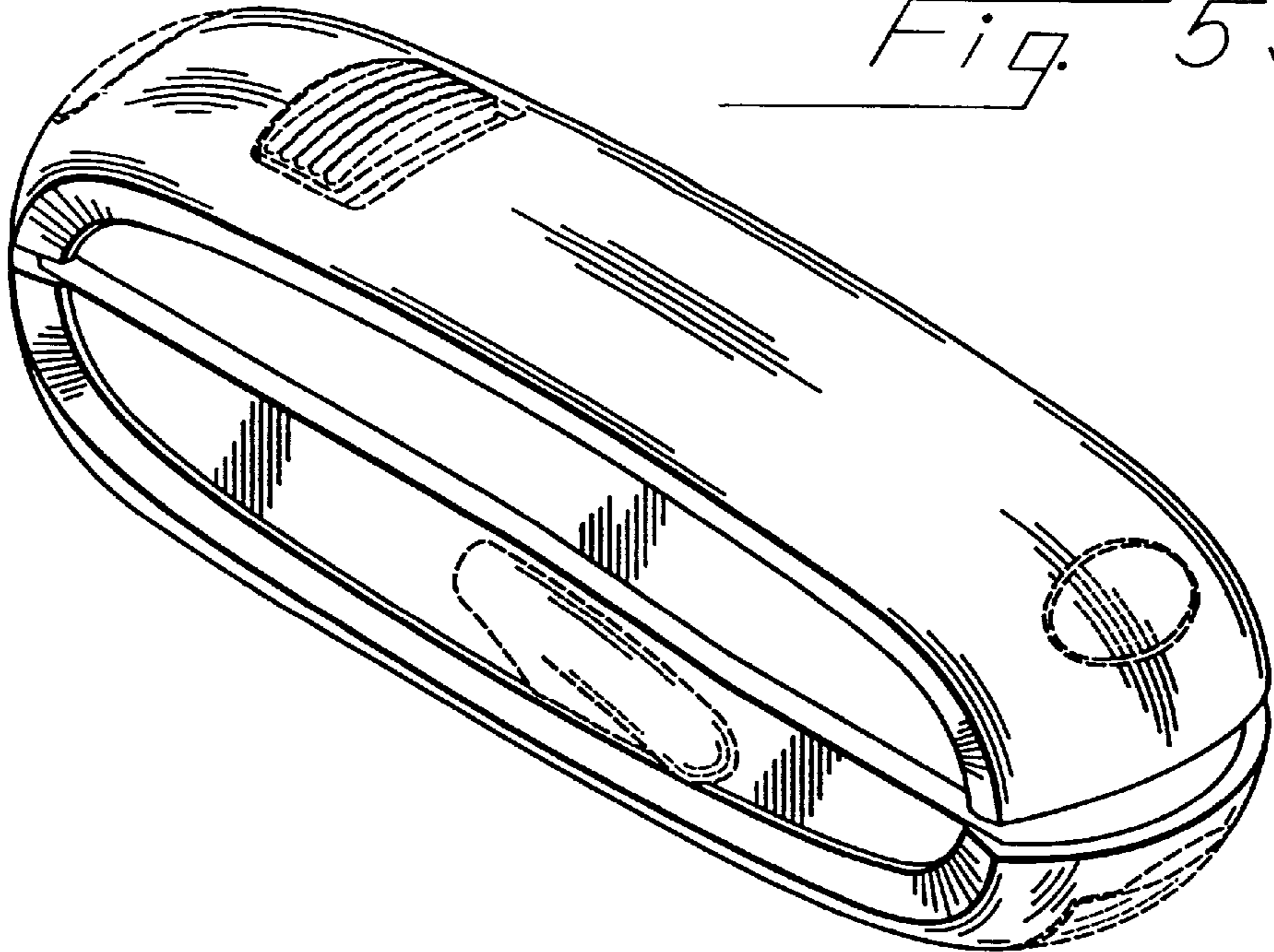


Fig. 54

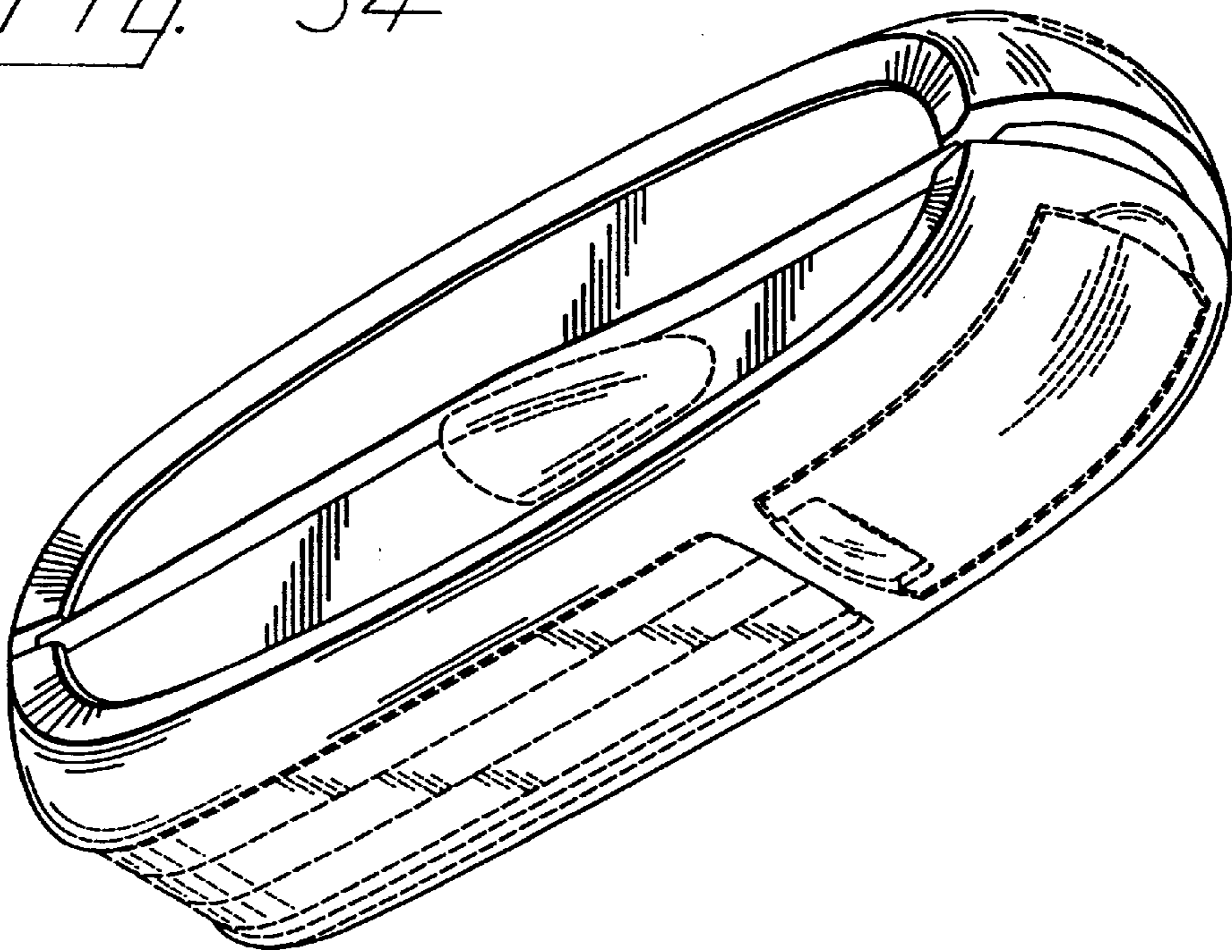


Fig. 55

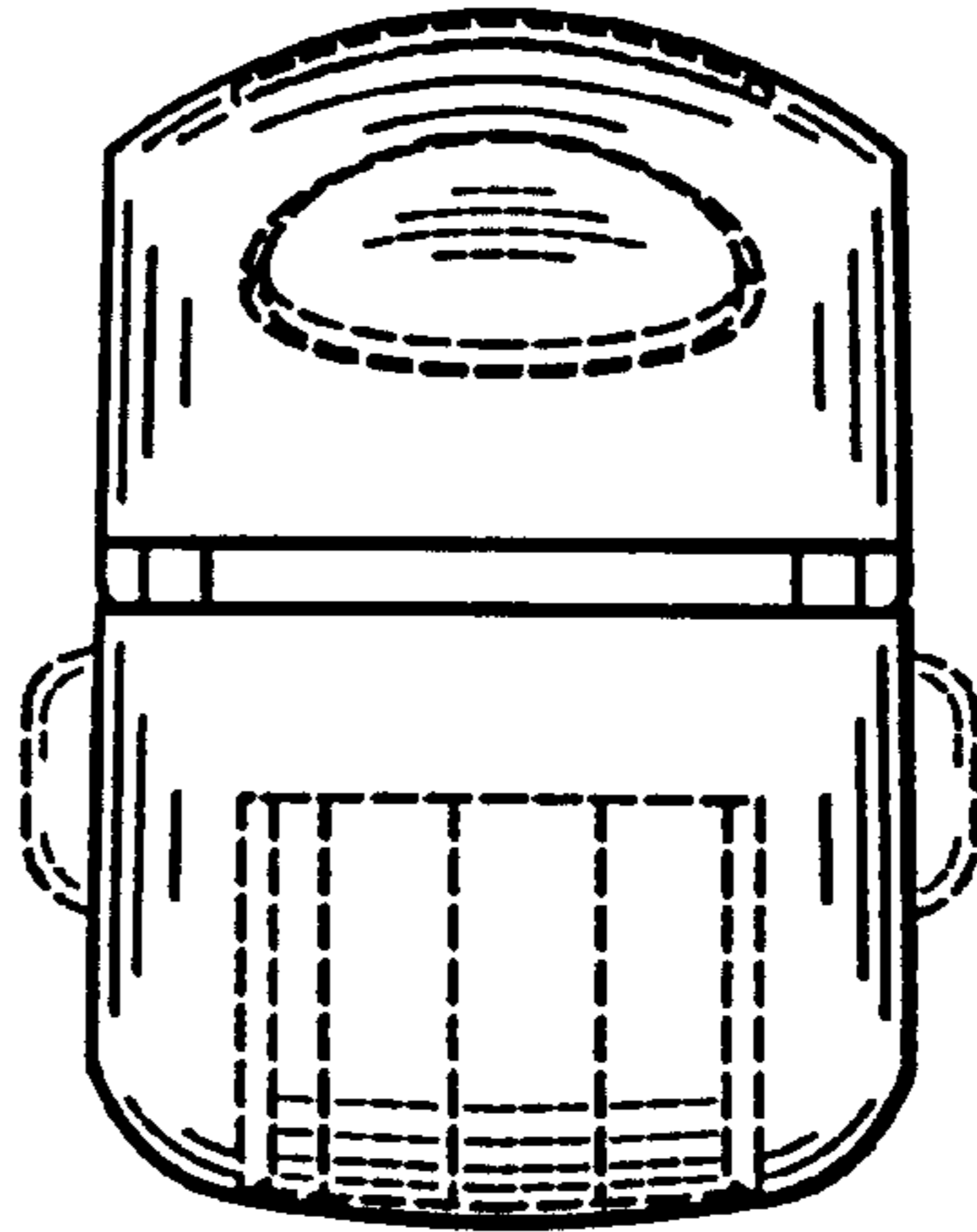


Fig. 56

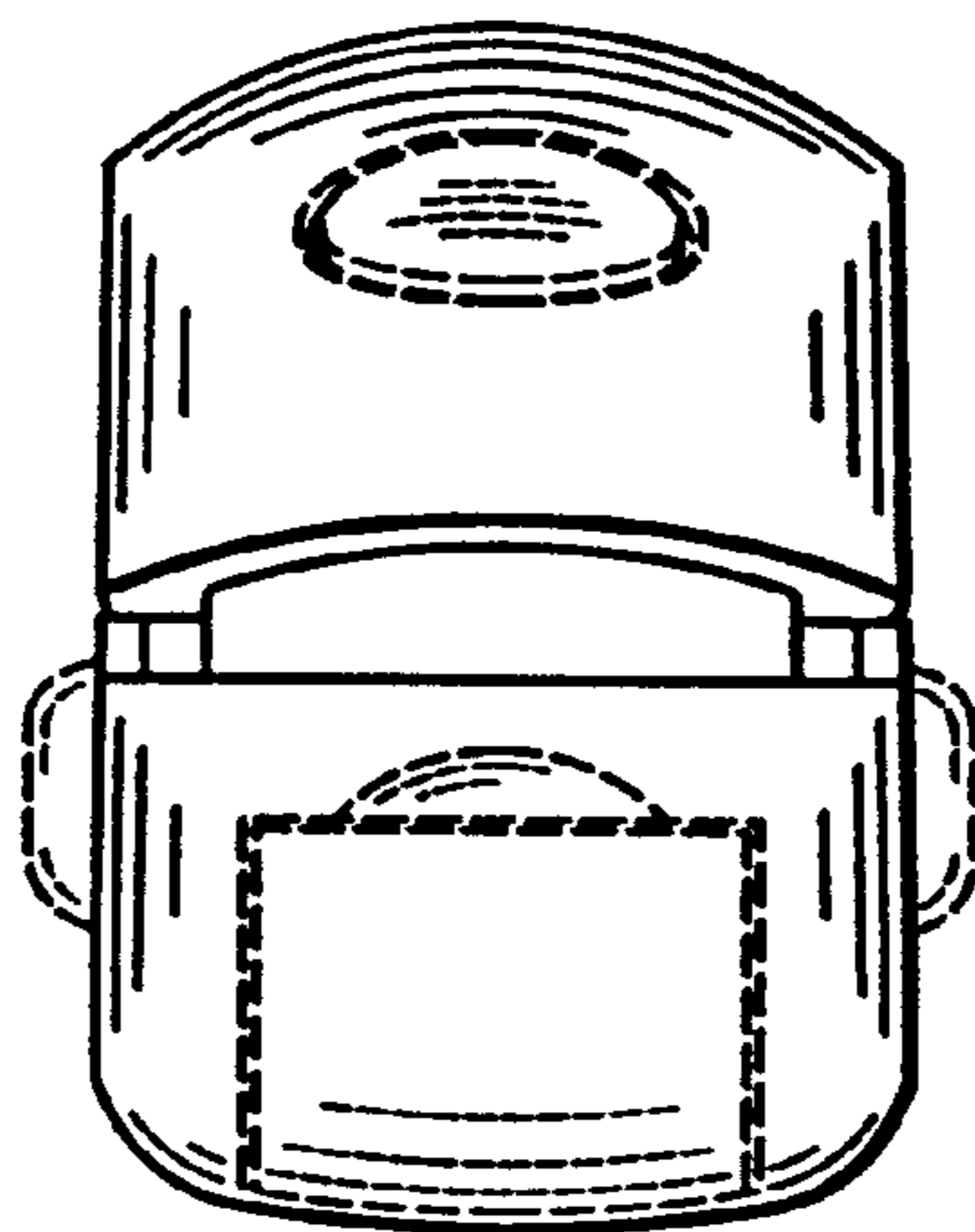


Fig. 57

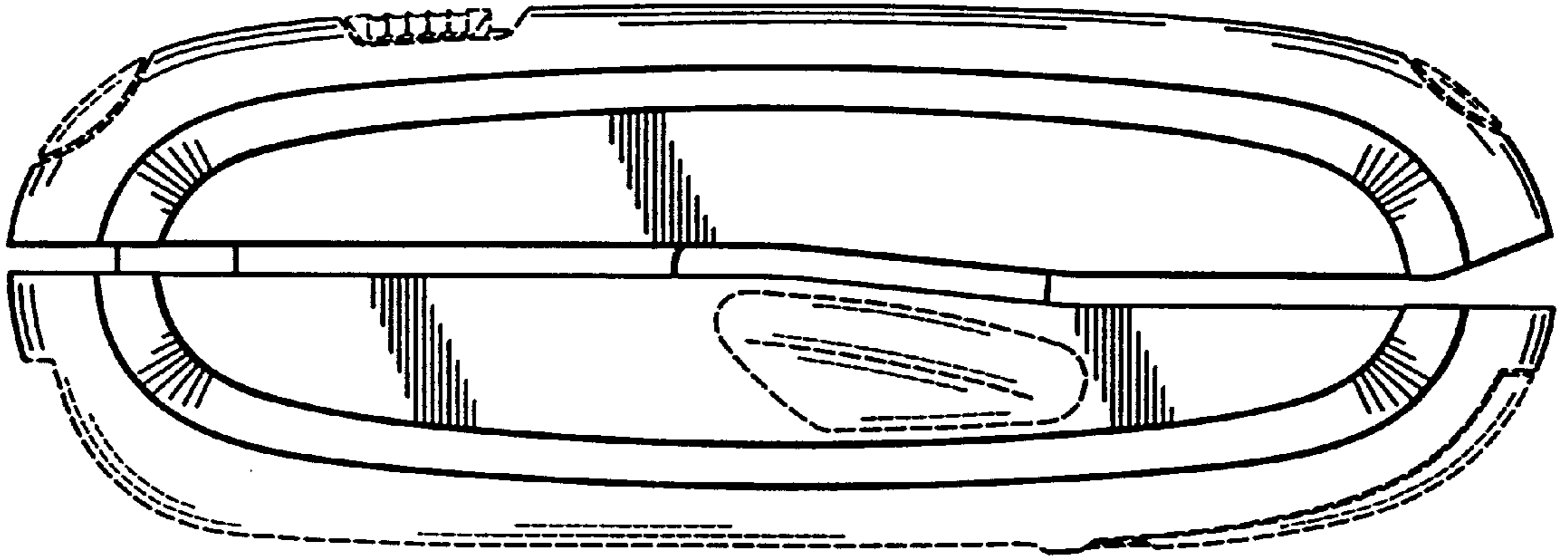


Fig. 58

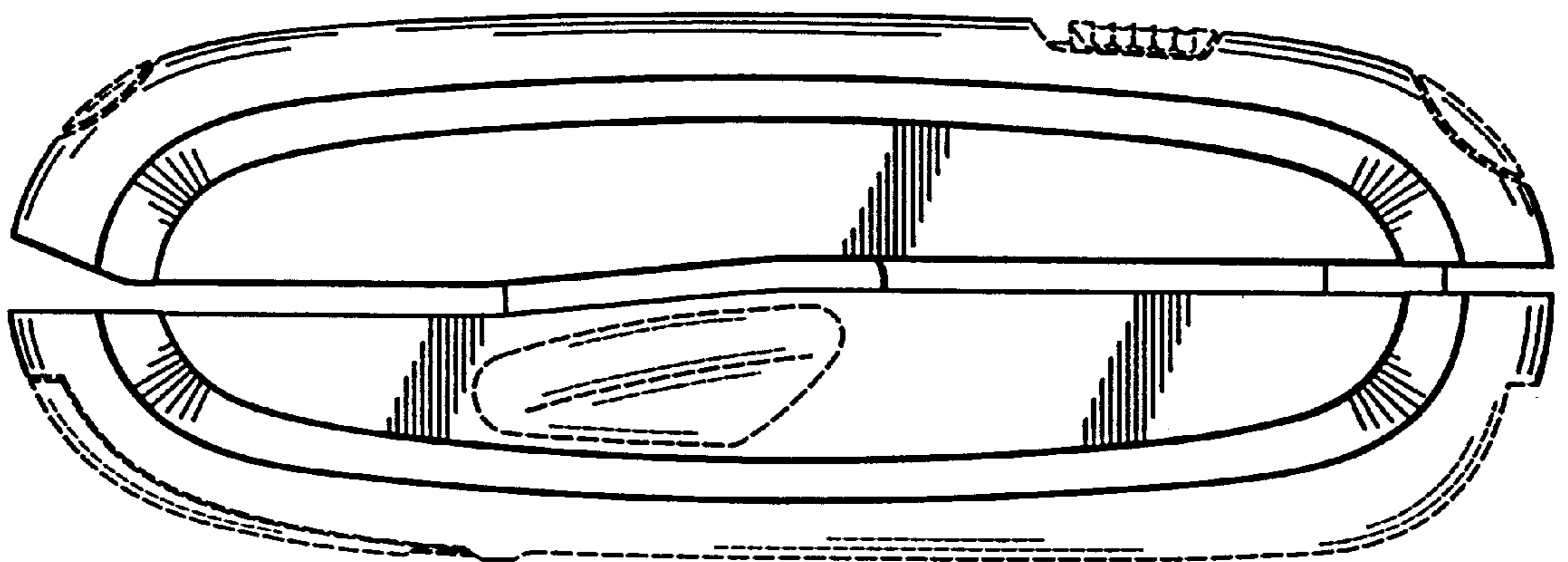


Fig. 59

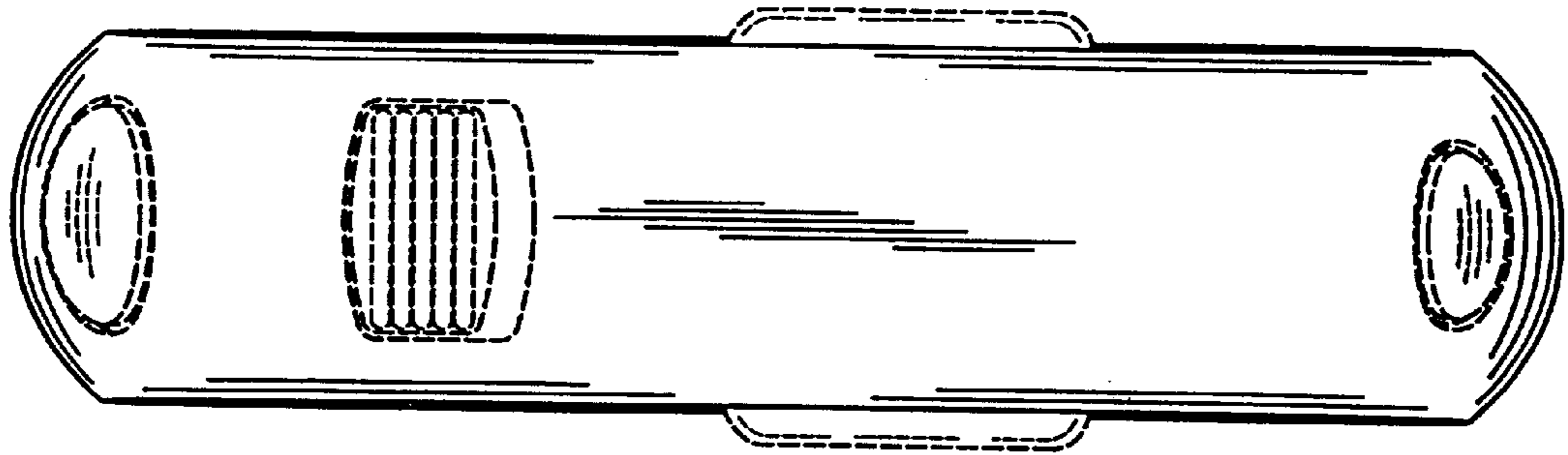


Fig. 60

