



US00D448409B1

(12) **United States Design Patent**  
**Schimmel**

(10) **Patent No.:** **US D448,409 S**

(45) **Date of Patent:** **\*\* Sep. 25, 2001**

(54) **BUBBLE BLOWING PEN CAP**

2,591,874 \* 4/1952 Richie ..... 401/195  
3,064,387 \* 11/1962 Campbell ..... 446/21

(76) Inventor: **Aaron Schimmel**, 4025 N. Clarendon,  
Chicago, IL (US) 60613

\* cited by examiner

(\*\*) Term: **14 Years**

*Primary Examiner*—Martie K. Holtje

(74) *Attorney, Agent, or Firm*—Leydig, Voit & Mayer, Ltd

(21) Appl. No.: **29/137,353**

(57) **CLAIM**

(22) Filed: **Mar. 1, 2001**

The ornamental design for a bubble blowing pen cap, as shown and described.

(51) **LOC (7) Cl.** ..... **19-06**

**DESCRIPTION**

(52) **U.S. Cl.** ..... **D19/57; D19/42; D19/46;**  
D21/402

(58) **Field of Search** ..... D10/119; D21/402;  
D19/35, 36, 41-51, 53-58, 81-85; 401/52,  
195, 202, 262, 243-247; 446/15, 20, 21;  
D11/157, 131

FIG. 1 is a front elevational view of a bubble blowing pen cap showing my new design in an exploded condition; FIG. 2 is a front elevational view of FIG. 1 with the bubble blowing pen cap in a stored position; FIG. 3 is a front elevational view with the cord removed for ease of illustration; FIG. 4 is a left side elevational view of FIG. 3; FIG. 5 is a right side elevational view of FIG. 3; and, FIG. 6 is a top plan view of FIG. 3.

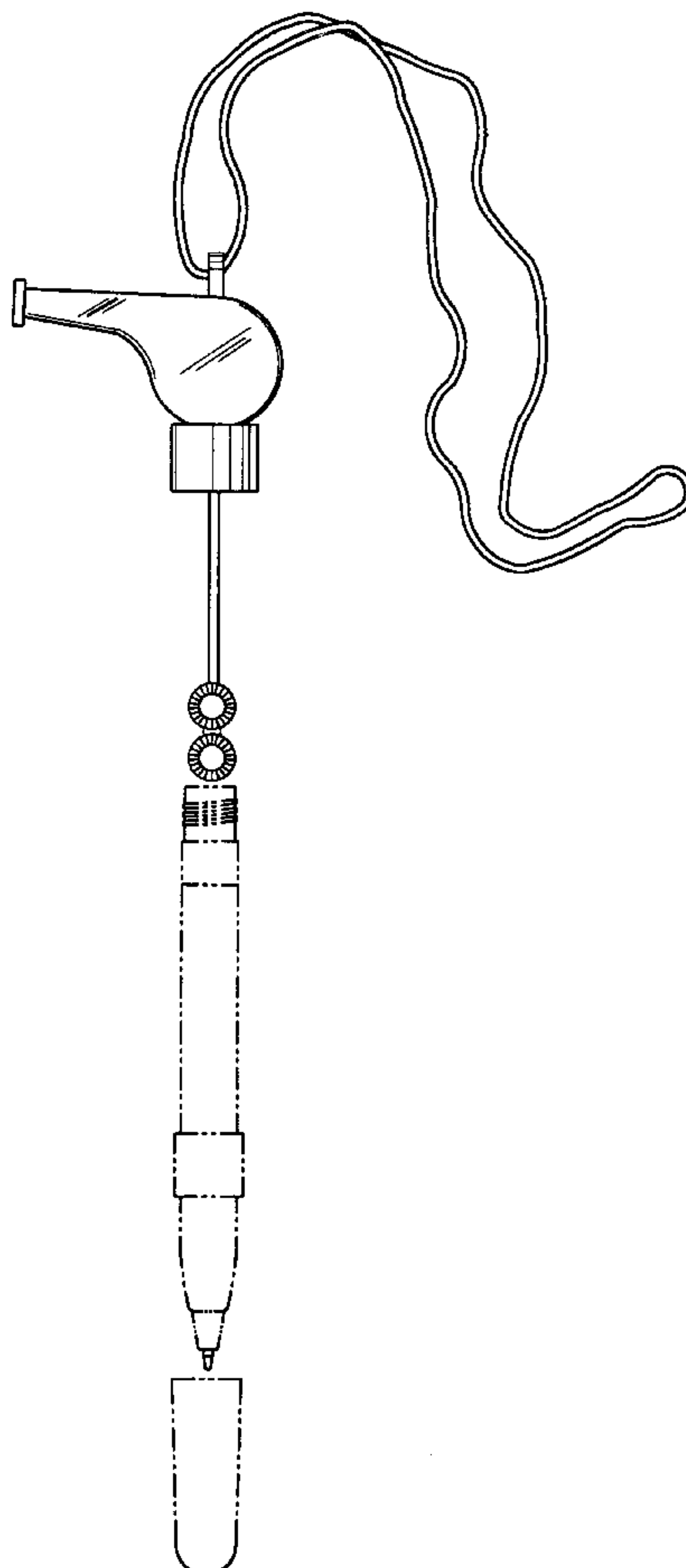
(56) **References Cited**

**U.S. PATENT DOCUMENTS**

- D. 076,516 \* 10/1928 Zisch ..... D10/119
- D. 182,490 \* 4/1958 Yankelevitz ..... D10/119
- D. 235,030 \* 4/1975 Ziff ..... D21/402
- D. 354,689 \* 1/1995 Figard ..... D19/36
- D. 421,054 \* 2/2000 Gootnick ..... D19/57
- D. 431,600 \* 10/2000 Schimmel ..... D19/57
- 1,748,460 \* 2/1930 Petrie ..... D10/119 X

The writing instrument depicted by means of broken lines in FIGS. 1 and 2 has been shown for illustrative purposes only and forms no part of the claimed design.

**1 Claim, 2 Drawing Sheets**



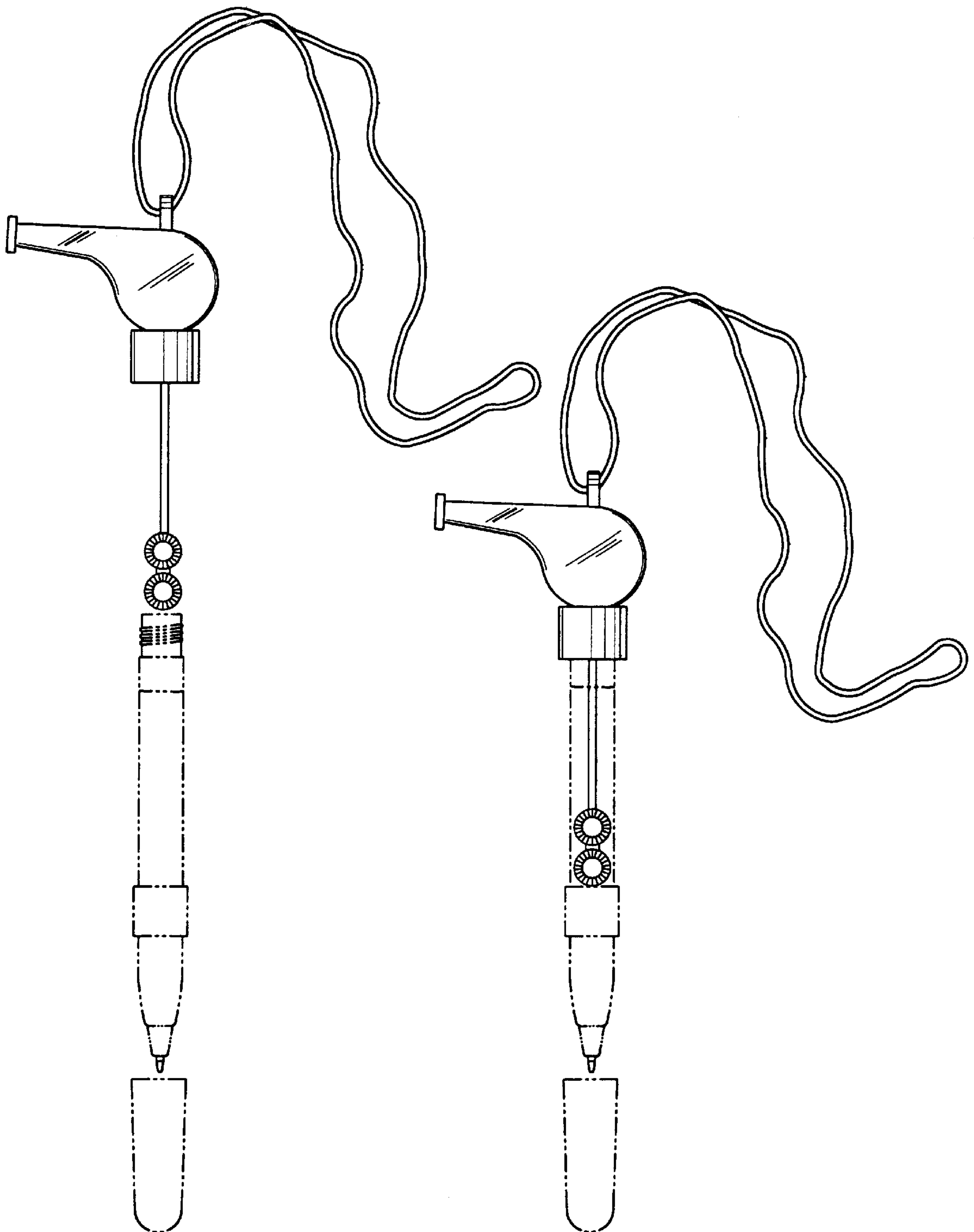


FIG. 1

FIG. 2

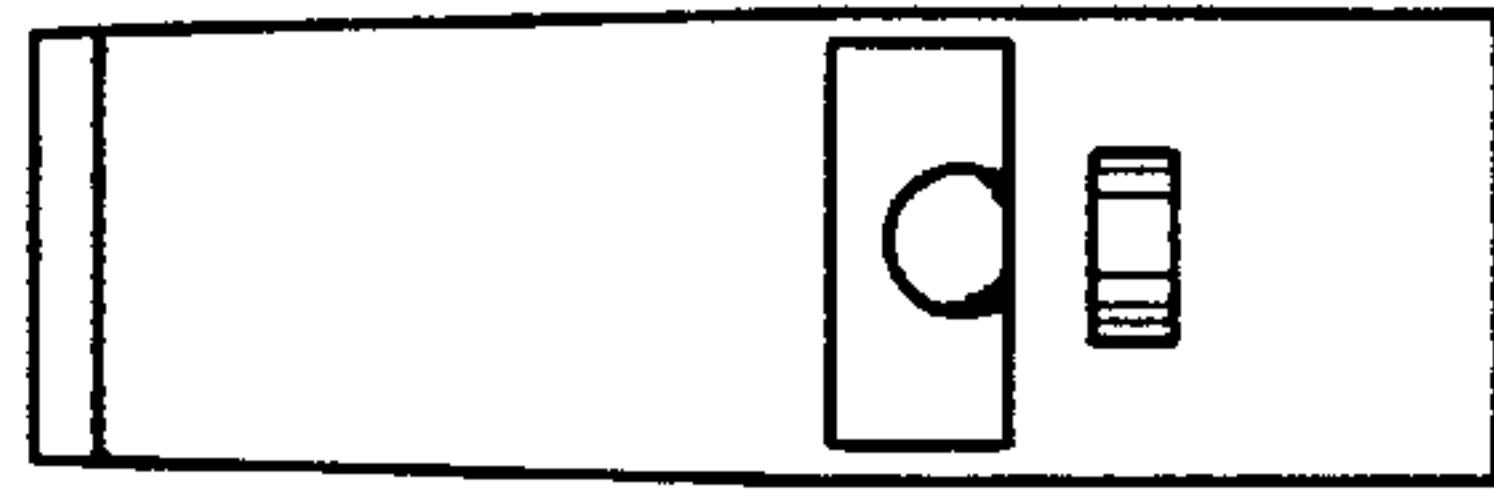


FIG. 6

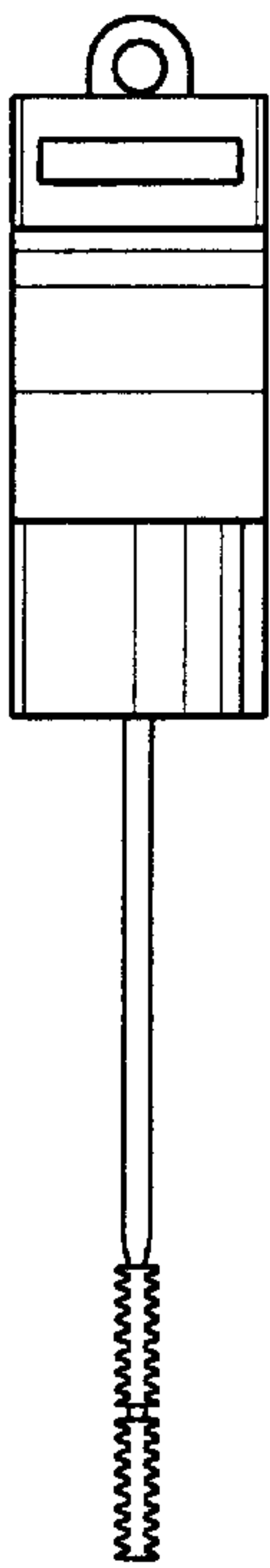


FIG. 4

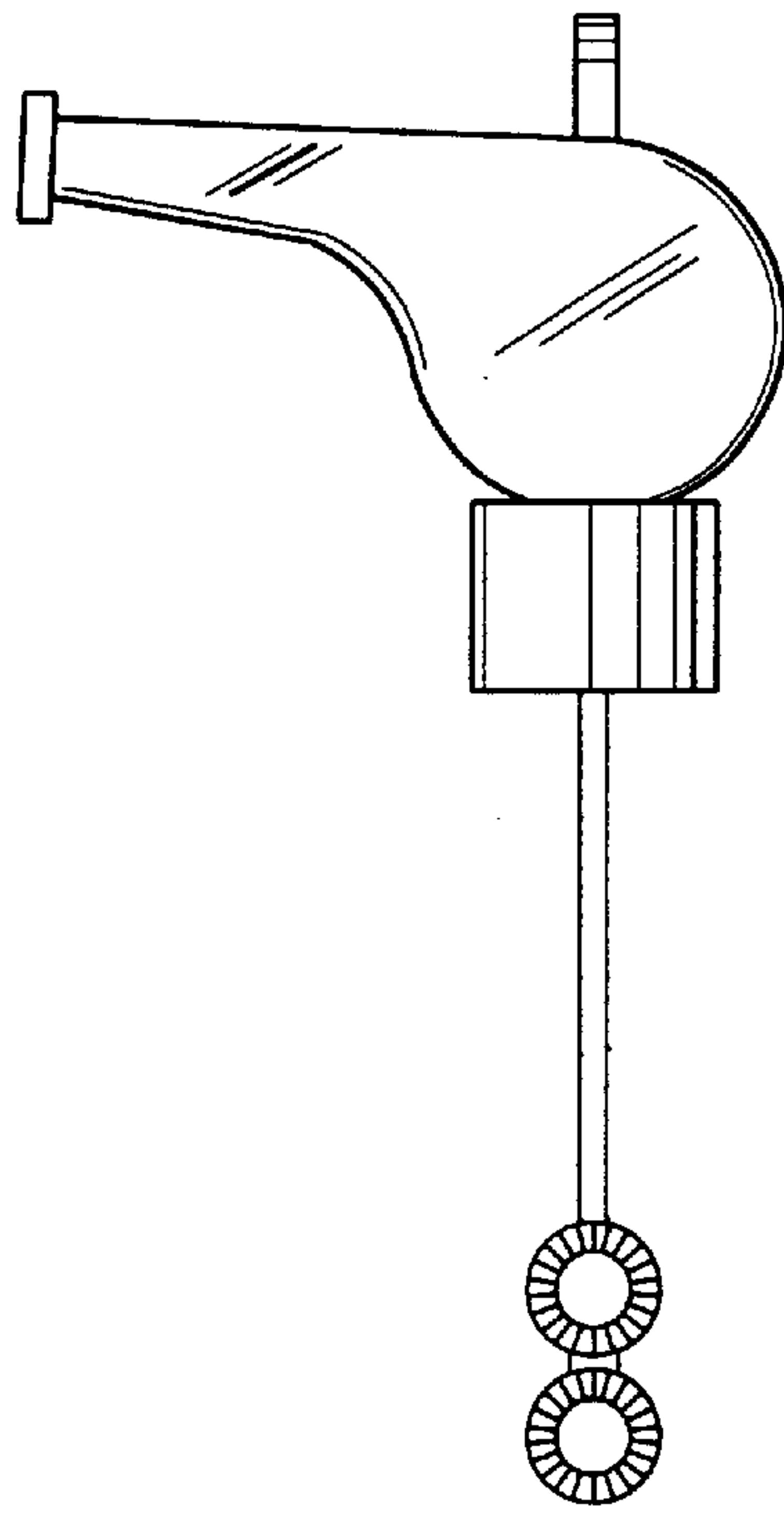


FIG. 3

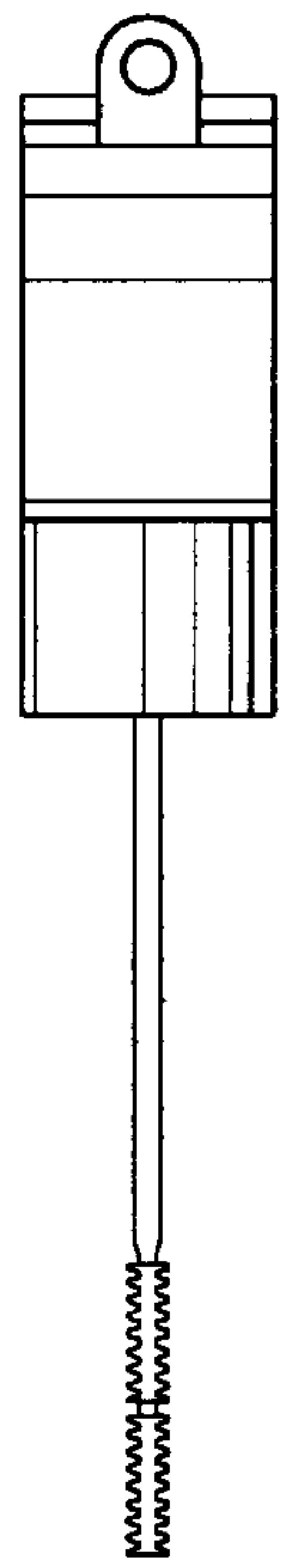


FIG. 5