



US00D448396B1

(12) **United States Design Patent**
Miyazawa

(10) **Patent No.:** **US D448,396 S**

(45) **Date of Patent:** **** Sep. 25, 2001**

(54) **DIGITAL CAMERA**

(75) Inventor: **Yoshihiro Miyazawa, Tokyo (JP)**

(73) Assignee: **Canon Kabushiki Kaisha, Tokyo (JP)**

(**) Term: **14 Years**

(21) Appl. No.: **29/136,307**

(22) Filed: **Jan. 30, 2001**

(30) **Foreign Application Priority Data**

Aug. 11, 2000 (JP) 12-022241

(51) **LOC (7) Cl.** **16-01**

(52) **U.S. Cl.** **D16/202; D16/218**

(58) **Field of Search** **D16/200-205,**
D16/208, 209, 217, 218; 348/373-376;
358/906, 909.1; 396/106, 535-541

(56) **References Cited**

U.S. PATENT DOCUMENTS

D. 415,185 * 10/1999 Matsuda D16/218

D. 415,508 * 10/1999 Shinano D16/202

D. 424,085 * 5/2000 Naito D16/202

D. 430,187 * 8/2000 Naito D16/218

5,519,466 * 5/1996 Arai 396/106

* cited by examiner

Primary Examiner—Adir Aronovich

(74) *Attorney, Agent, or Firm*—Fitzpatrick, Cella, Harper & Scinto

(57) **CLAIM**

The ornamental design for a digital camera, as shown and described.

DESCRIPTION

FIG. 1 is a front view of a digital camera showing my new design;

FIG. 2 is a rear view thereof;

FIG. 3 is a top plan view thereof;

FIG. 4 is a bottom plan view thereof;

FIG. 5 is a left side view thereof;

FIG. 6 is a right side view thereof; and,

FIG. 7 is a perspective view thereof.

1 Claim, 4 Drawing Sheets

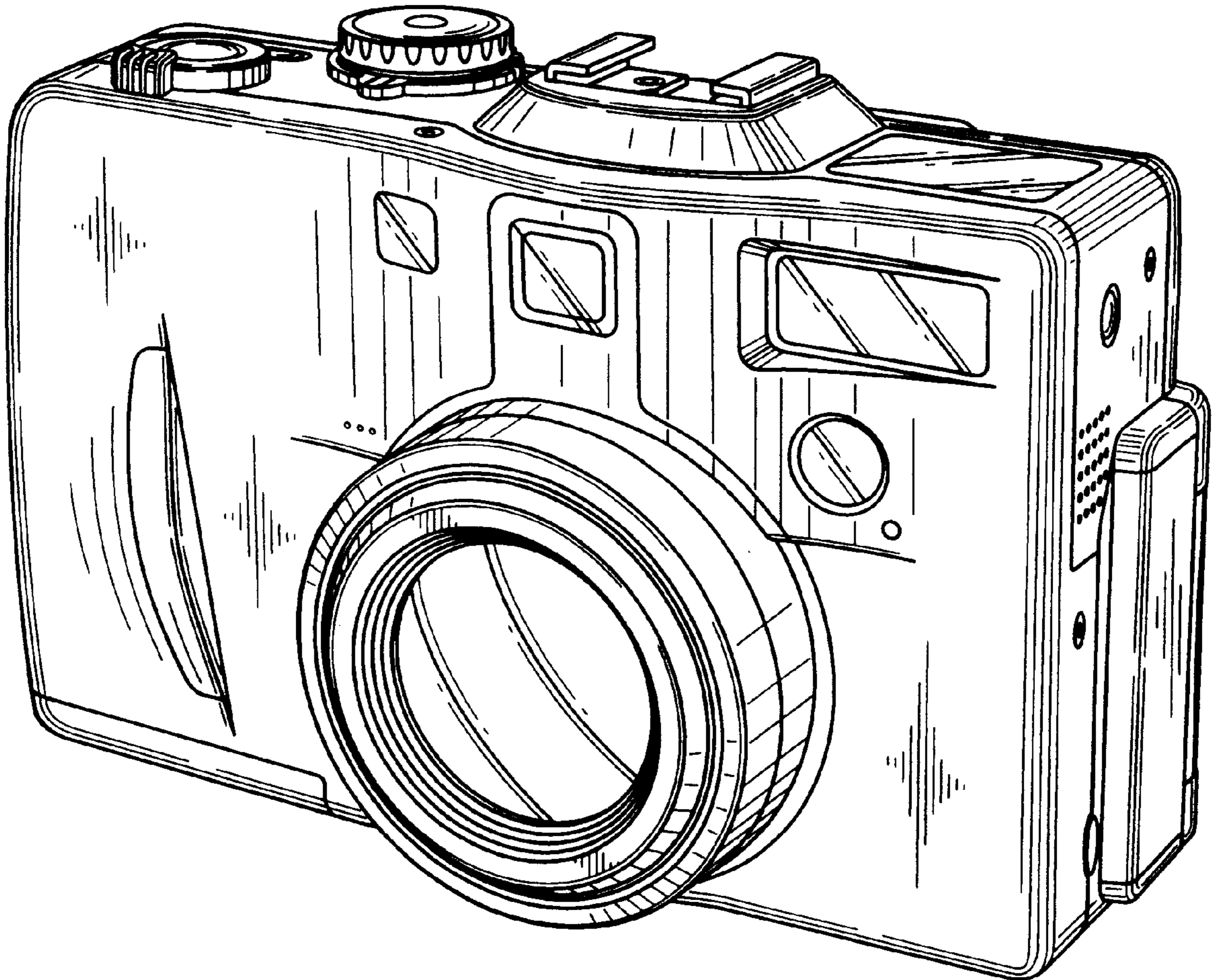


FIG. 1

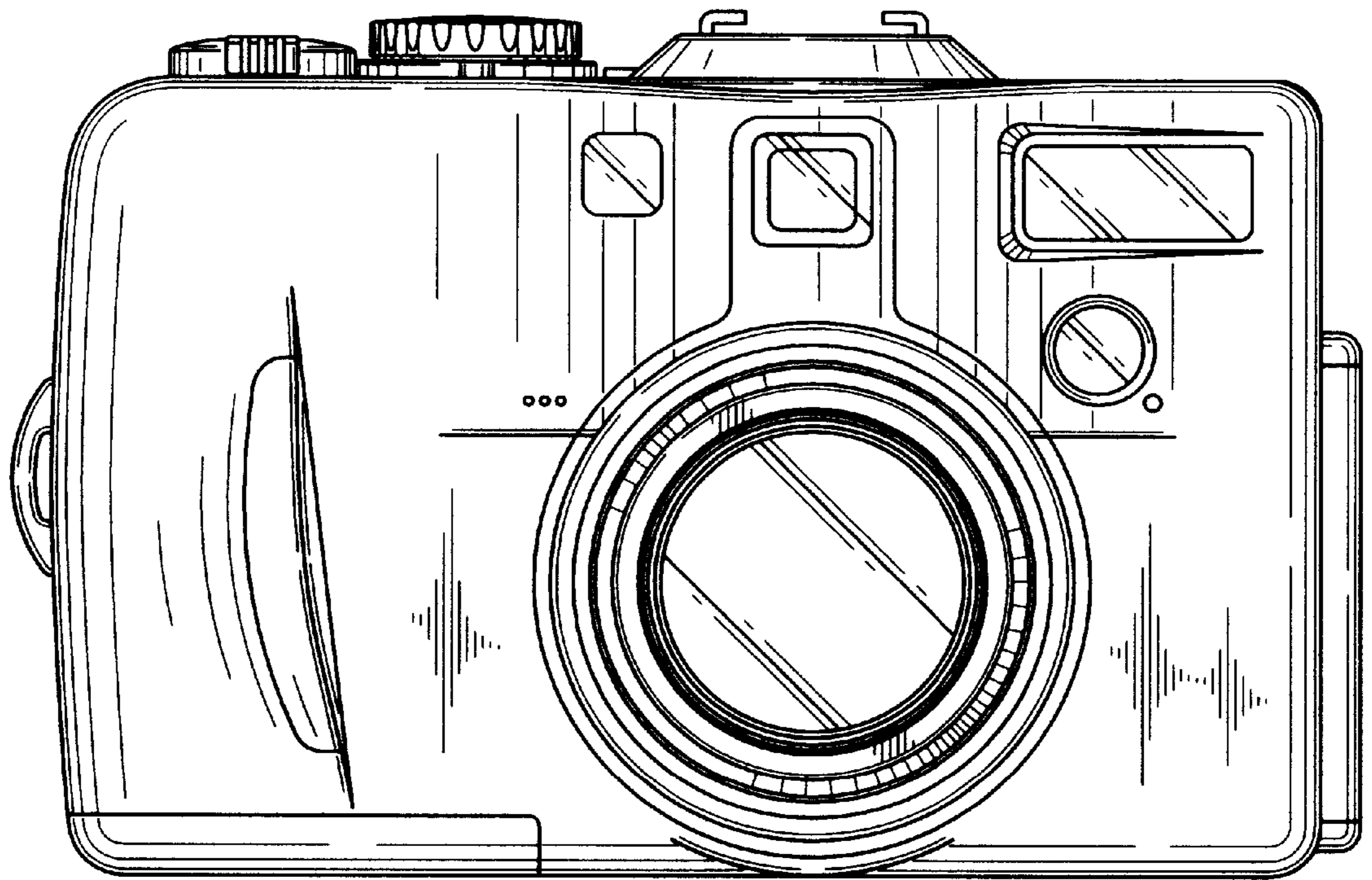


FIG. 2

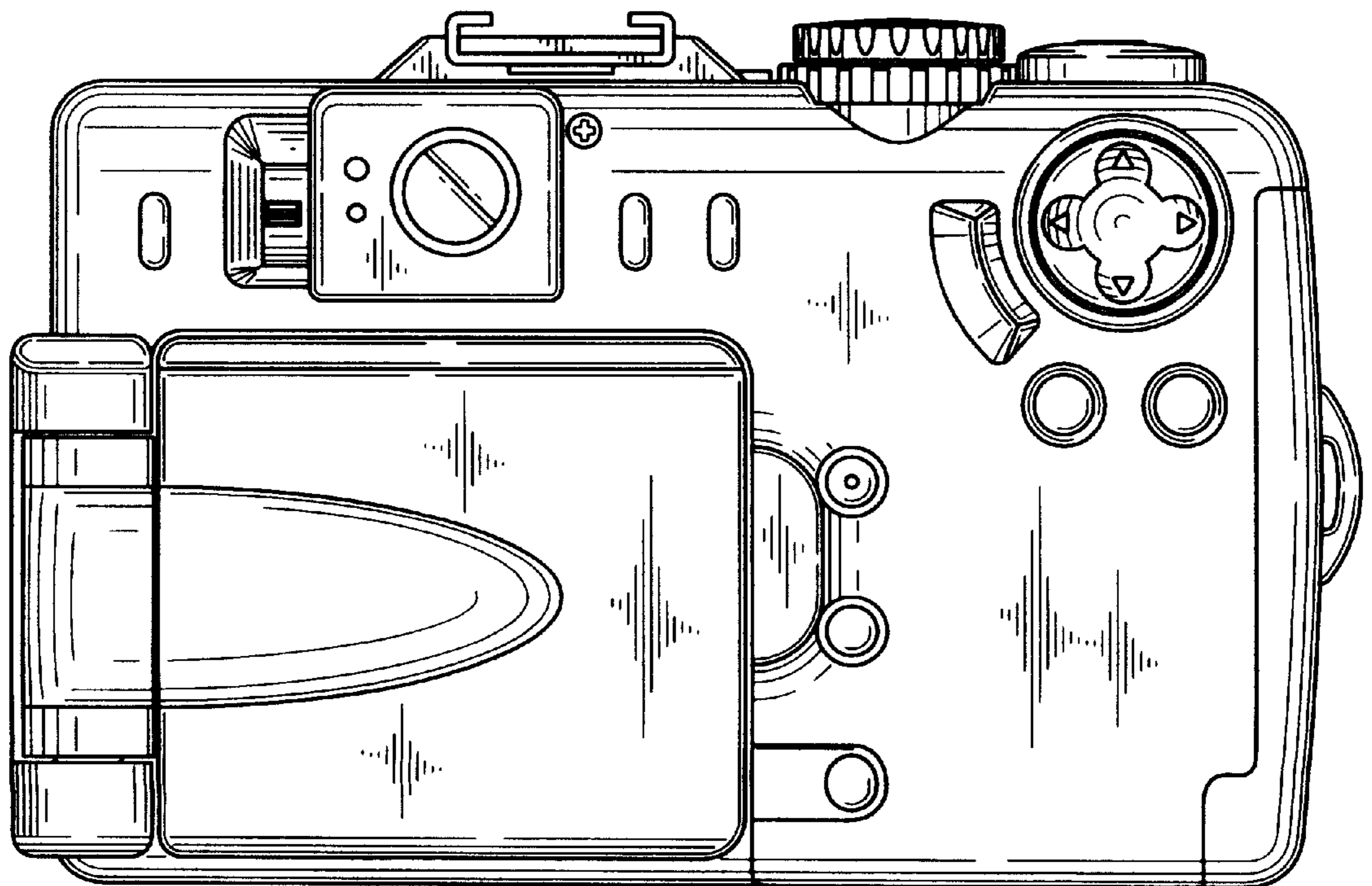


FIG. 3

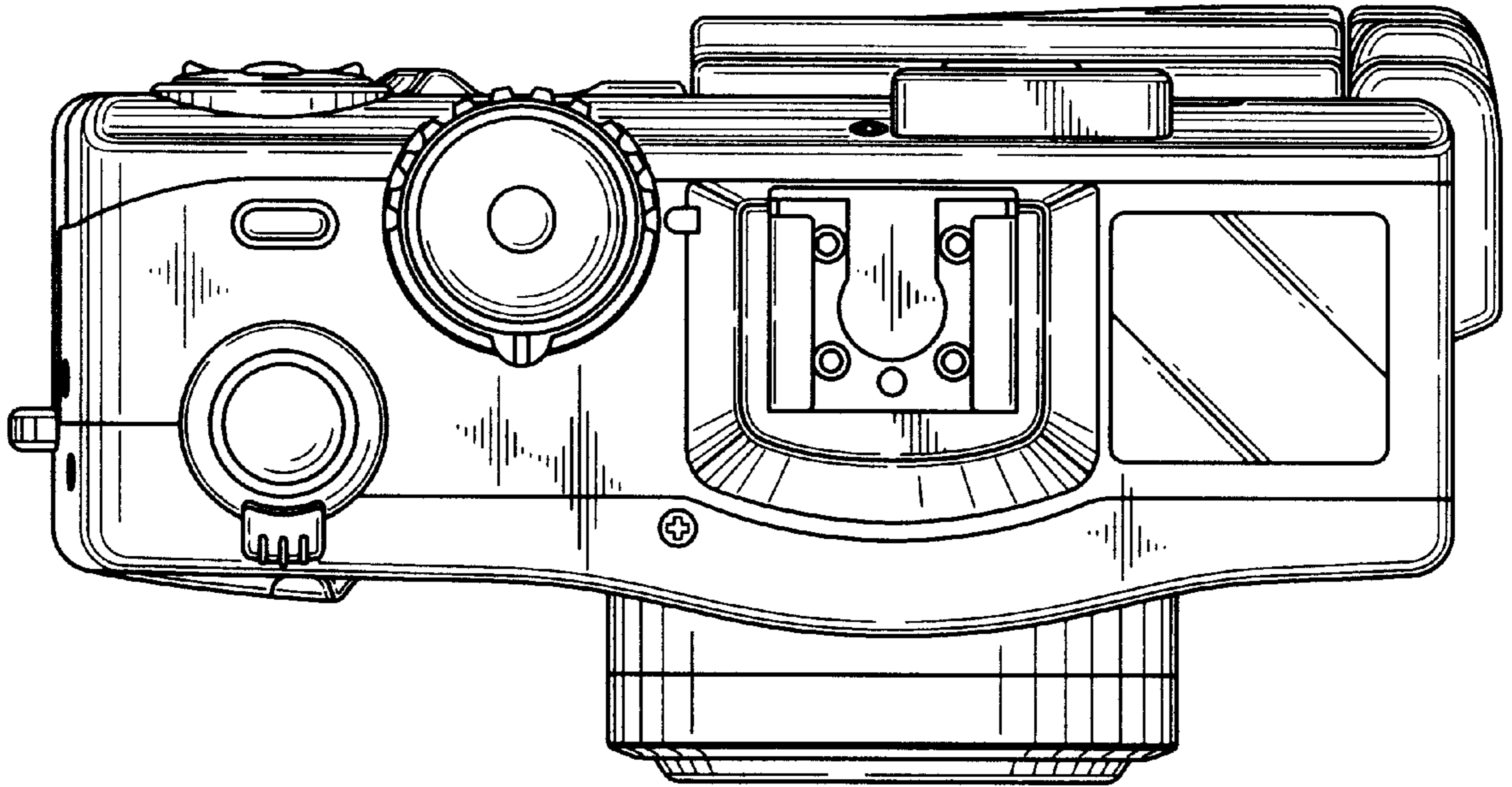


FIG. 4

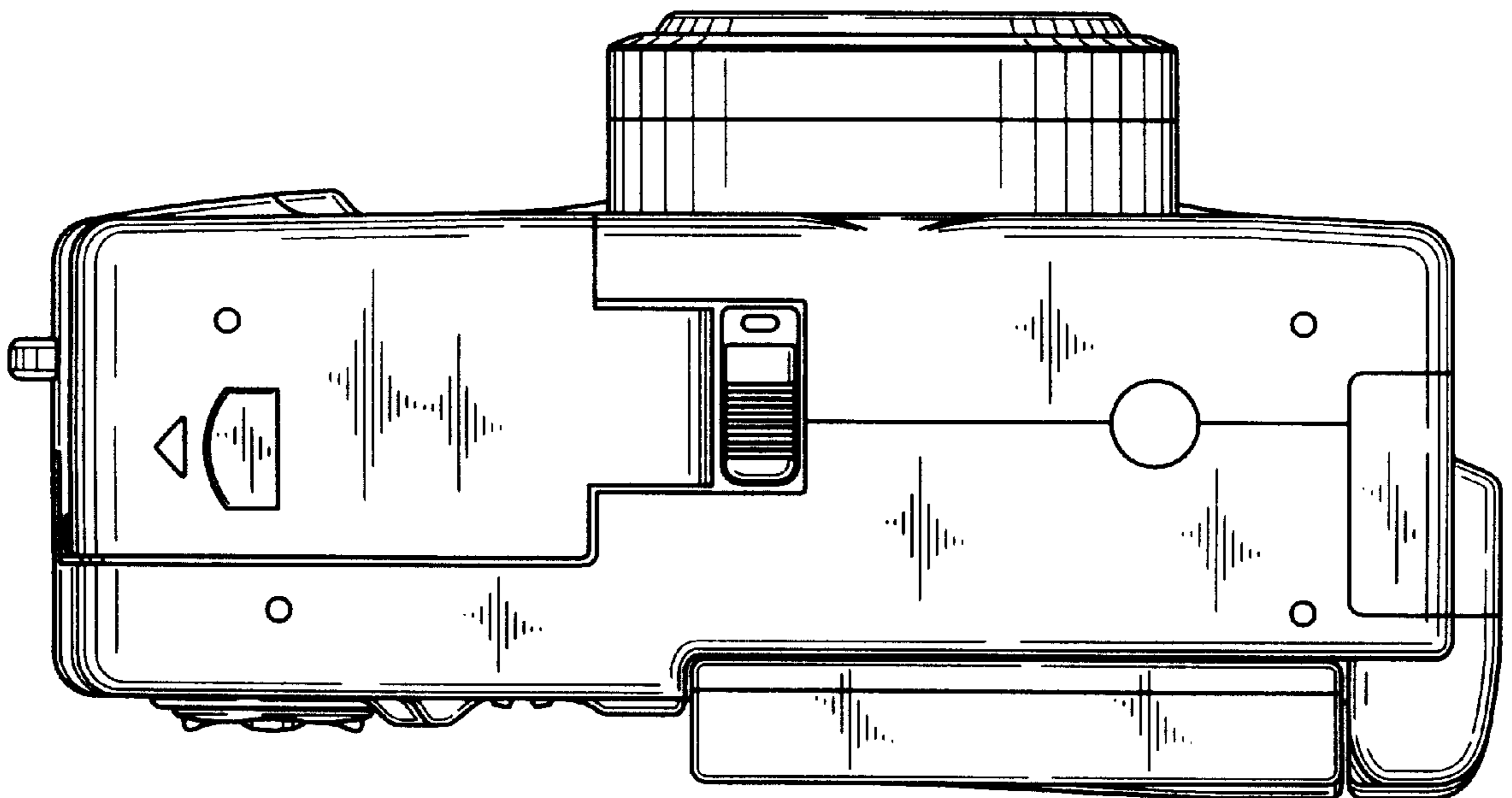


FIG. 5

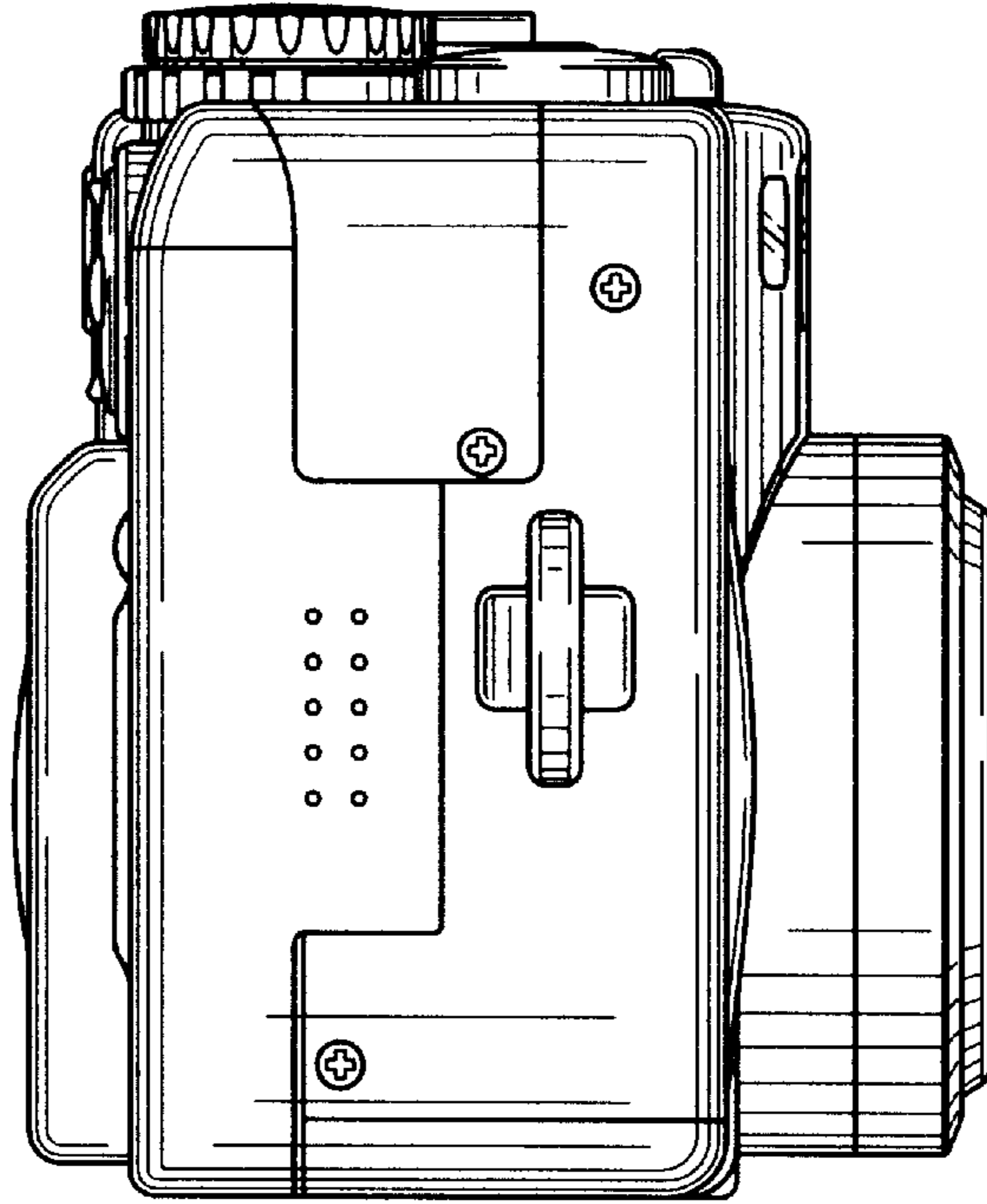


FIG. 6

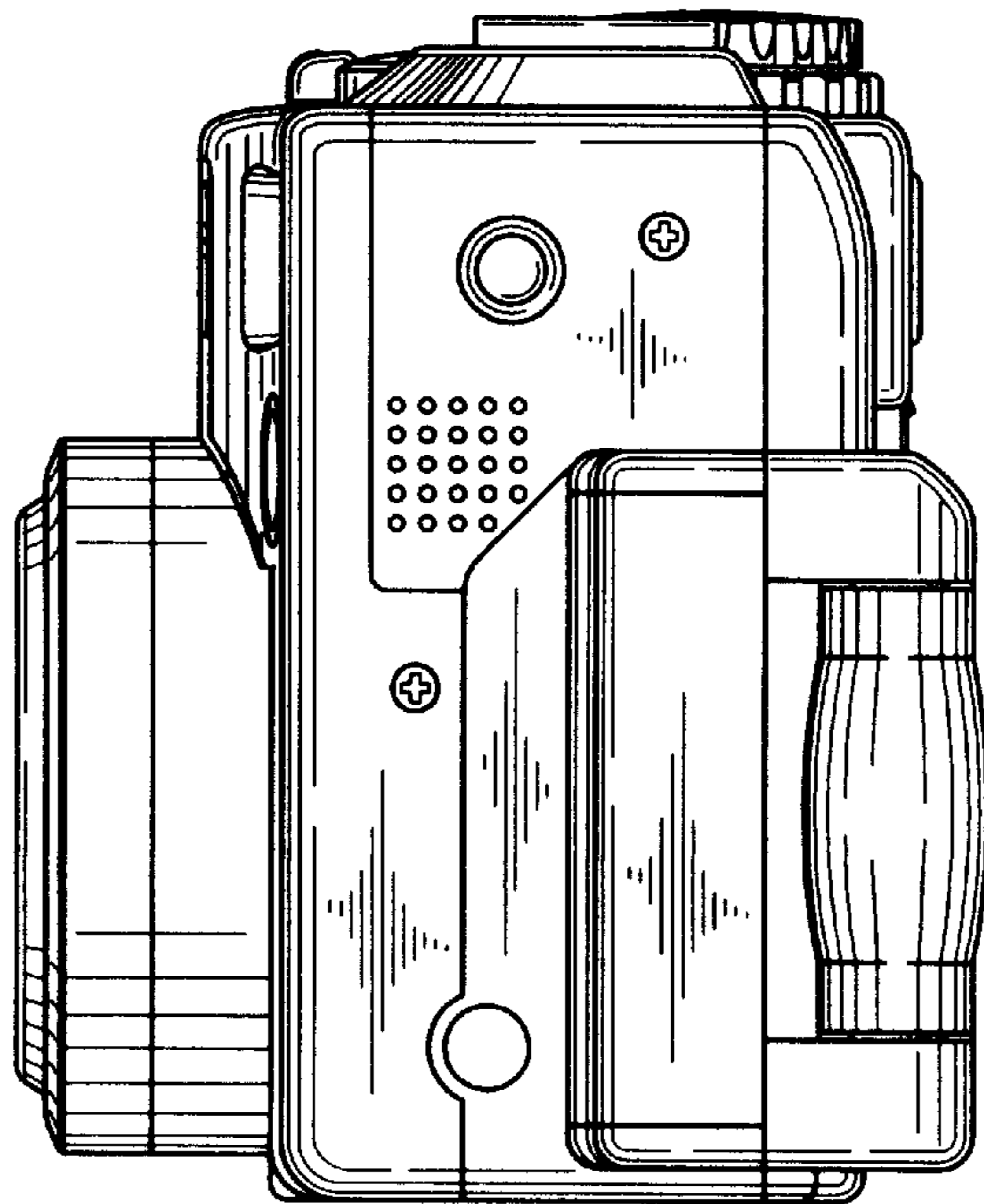


FIG. 7

