



US00D448394B1

(12) **United States Design Patent**
Ueda et al.

(10) **Patent No.:** **US D448,394 S**

(45) **Date of Patent:** **** Sep. 25, 2001**

(54) **BINOCULARS**

(75) Inventors: **Yukikazu Ueda**, Osaka; **Arata Ono**,
Urawa, both of (JP)

(73) Assignee: **Nikon Corporation**, Tokyo (JP)

(**) Term: **14 Years**

(21) Appl. No.: **29/136,126**

(22) Filed: **Jan. 26, 2001**

(30) **Foreign Application Priority Data**

Dec. 18, 2000 (JP) 12-036122

(51) **LOC (7) Cl.** **16-06**

(52) **U.S. Cl.** **D16/133**

(58) **Field of Search** D16/130, 133;
359/414, 415, 416, 410, 411, 408, 409,
412, 418, 419, 420

(56) **References Cited**

U.S. PATENT DOCUMENTS

- D. 367,662 * 3/1996 Chan D16/133
- D. 387,077 * 12/1997 Lee D16/133
- D. 394,665 * 5/1998 Akabane et al. D16/133

- D. 395,906 * 7/1998 Konno D16/133
- D. 412,177 * 7/1999 Fujii D16/133
- D. 412,921 * 8/1999 Hayamizu D16/133

FOREIGN PATENT DOCUMENTS

- S 1032026 2/1999 (JP) .
- S 1048155 9/1999 (JP) .

* cited by examiner

Primary Examiner—Paula A. Mortimer

(74) *Attorney, Agent, or Firm*—Oliff & Berridge PLC

(57) **CLAIM**

The ornamental design for binoculars, as shown.

DESCRIPTION

FIG. 1 is a front perspective view of binoculars showing our new design;
 FIG. 2 is a front elevation view thereof;
 FIG. 3 is a rear elevation view thereof;
 FIG. 4 is a top plan view thereof;
 FIG. 5 is a bottom plan view thereof;
 FIG. 6 is a left side elevation view thereof; and,
 FIG. 7 is a right side elevation view thereof.

1 Claim, 5 Drawing Sheets

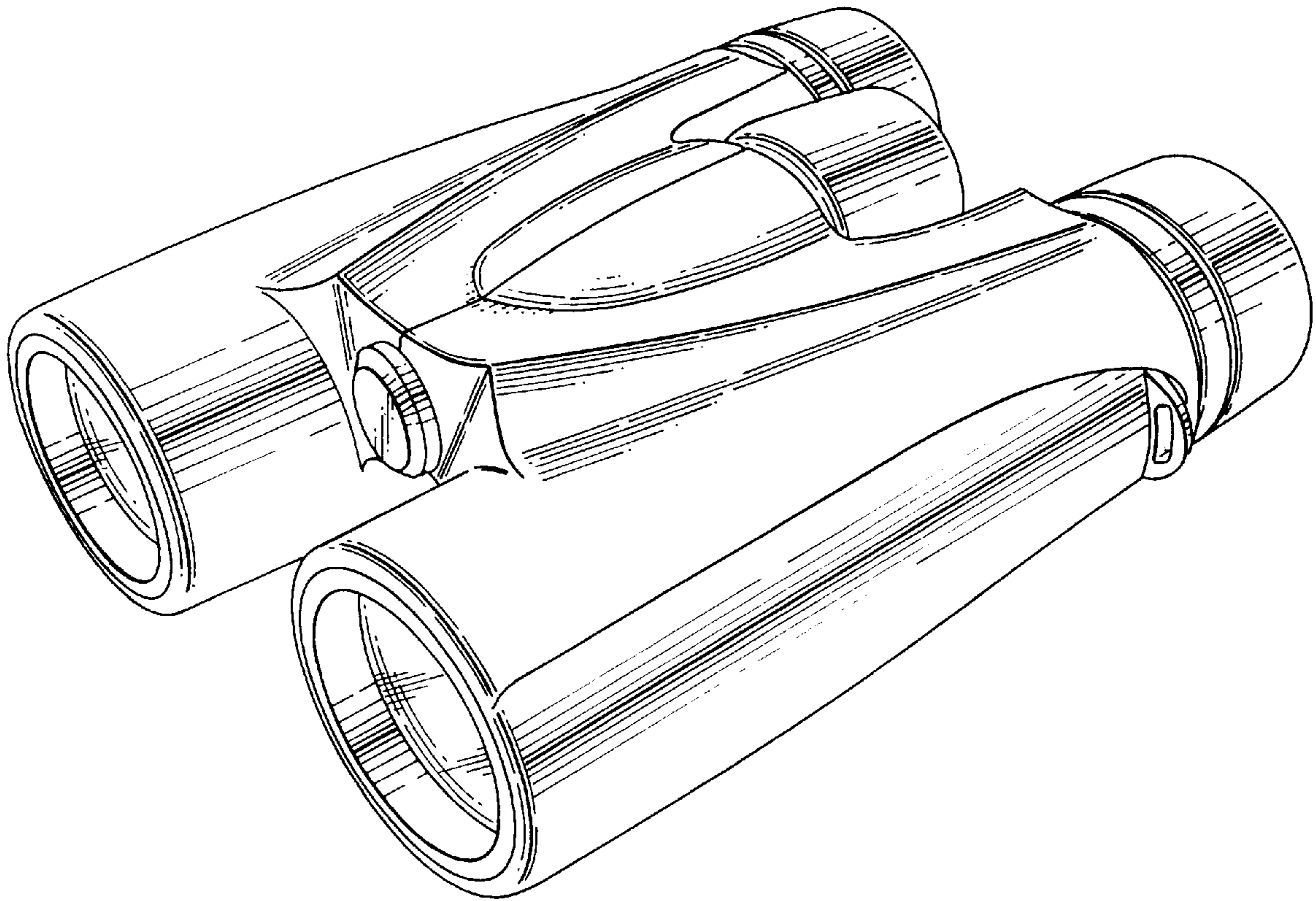


FIG. 1

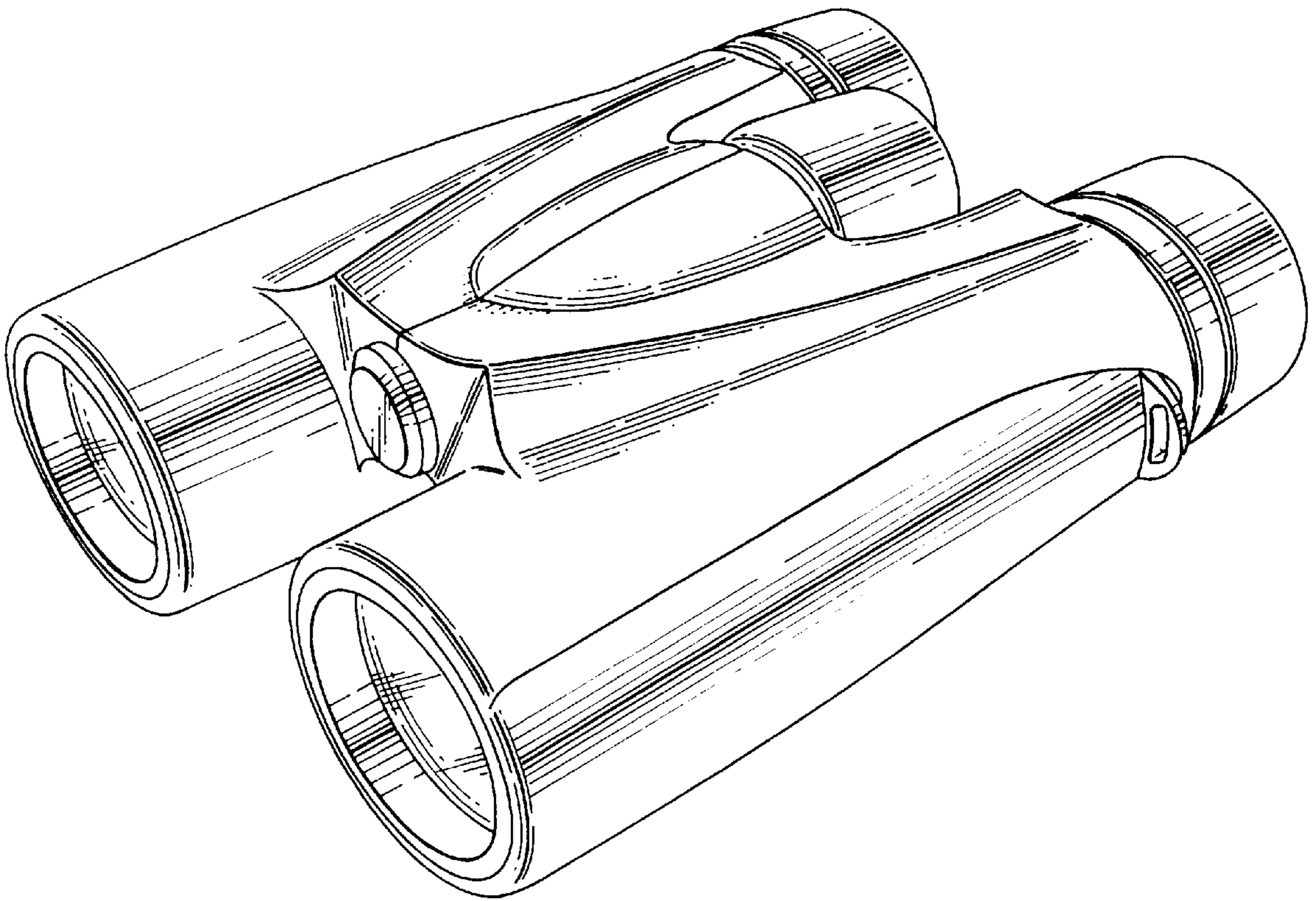


FIG. 2

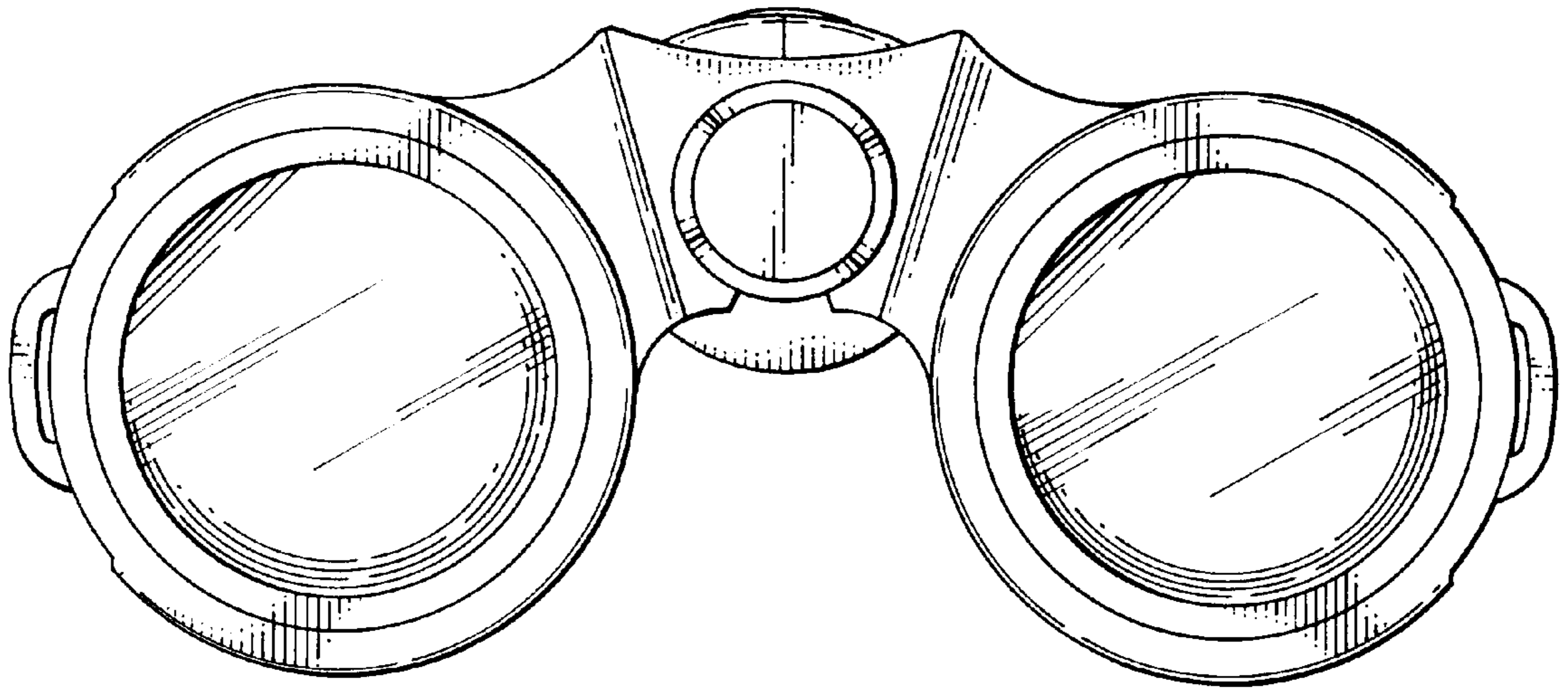


FIG. 3

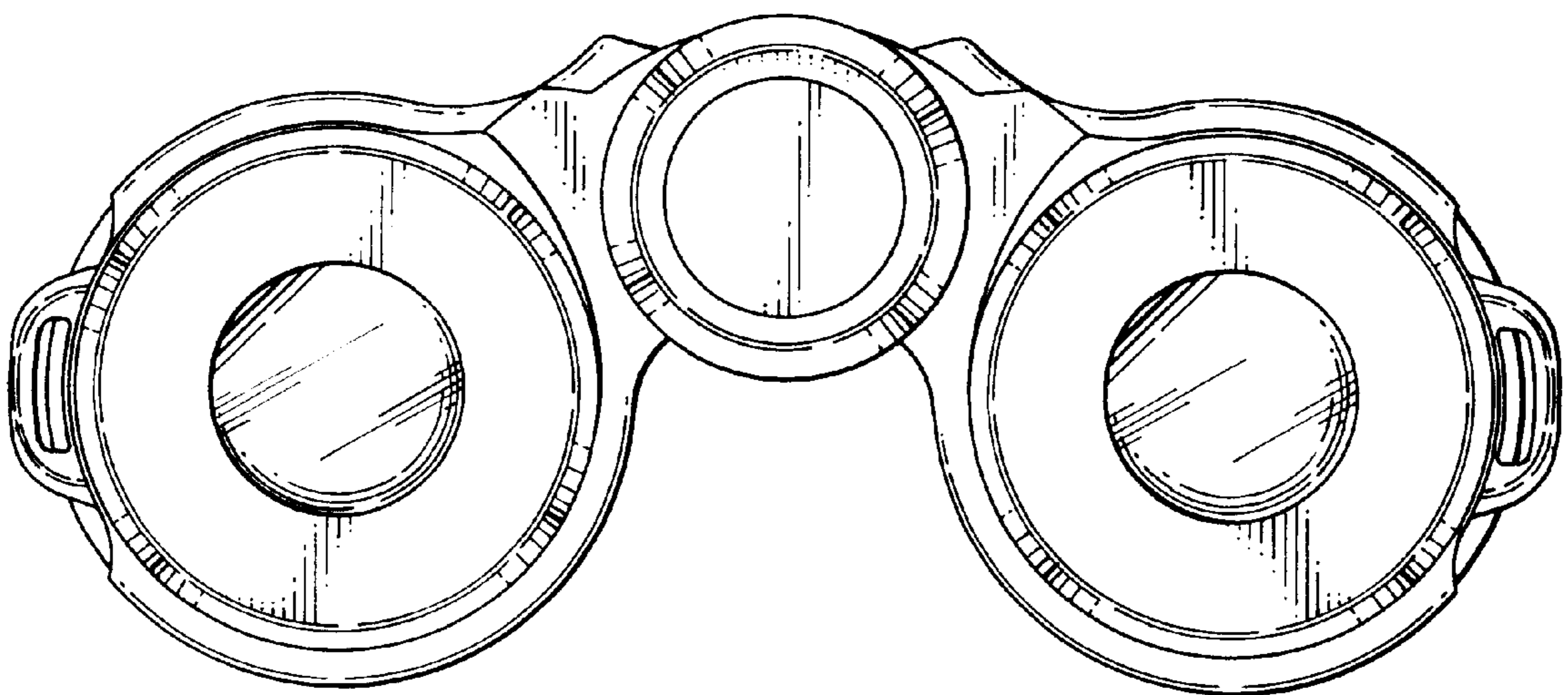


FIG. 4

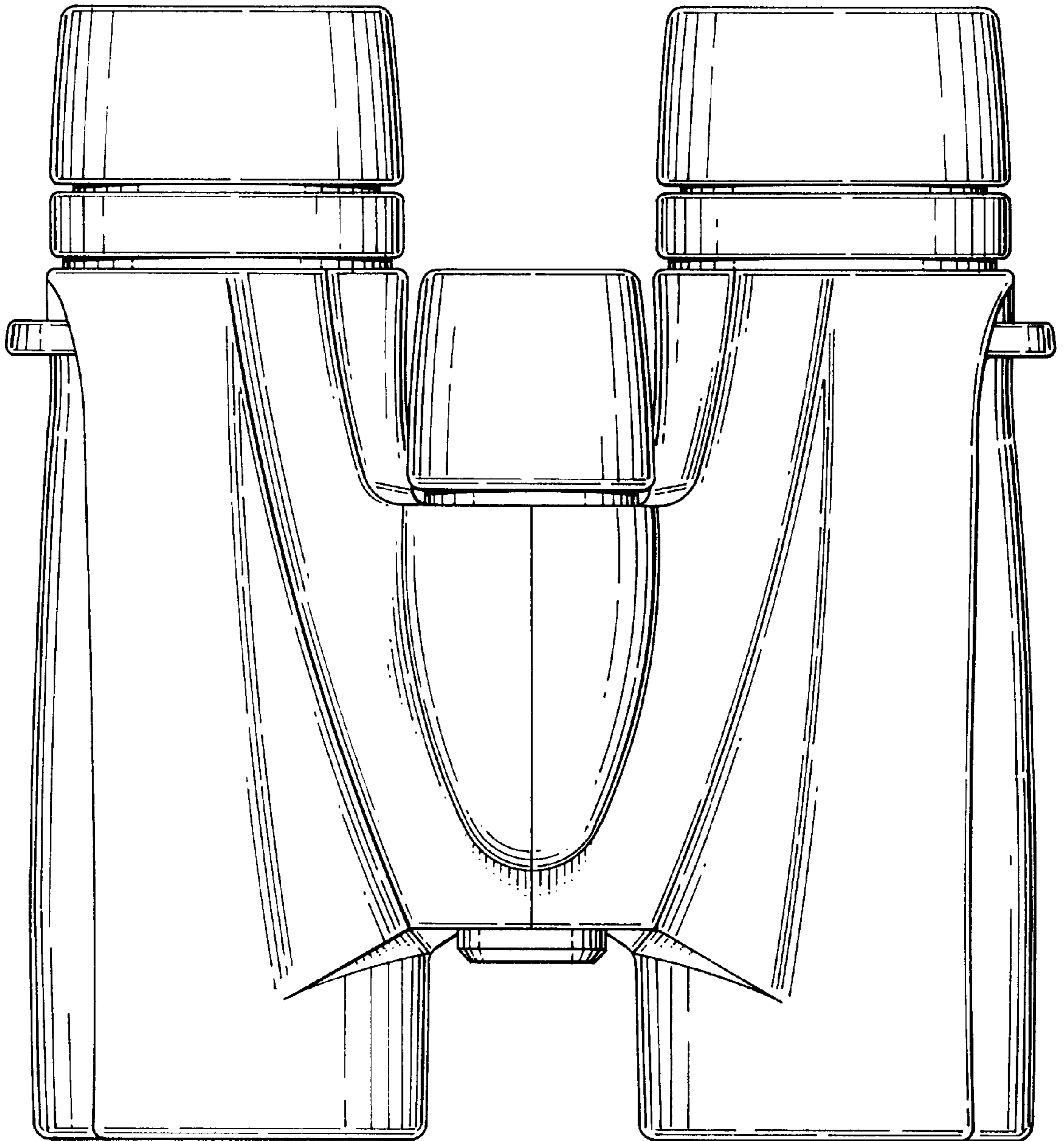


FIG. 5

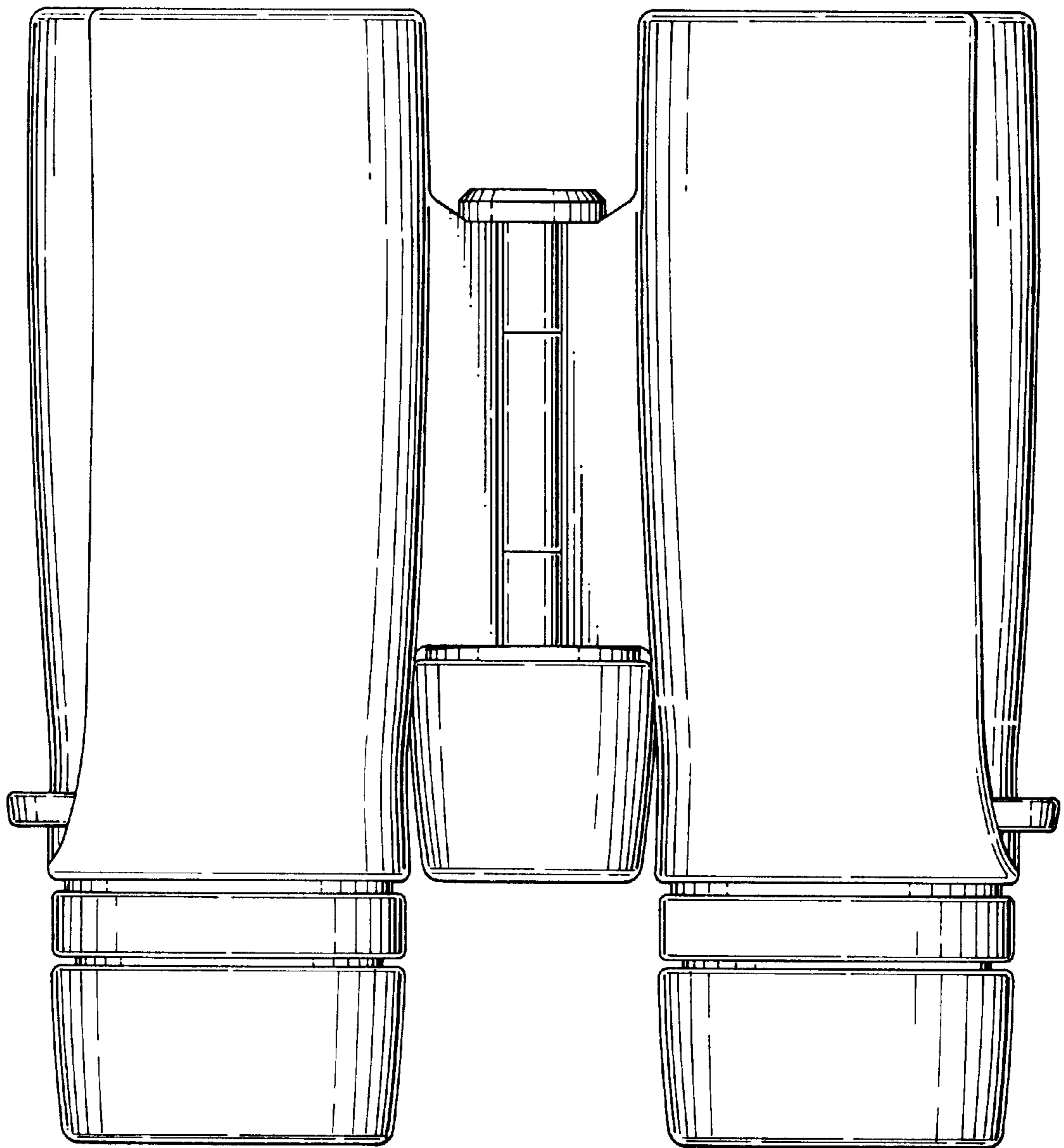


FIG. 6

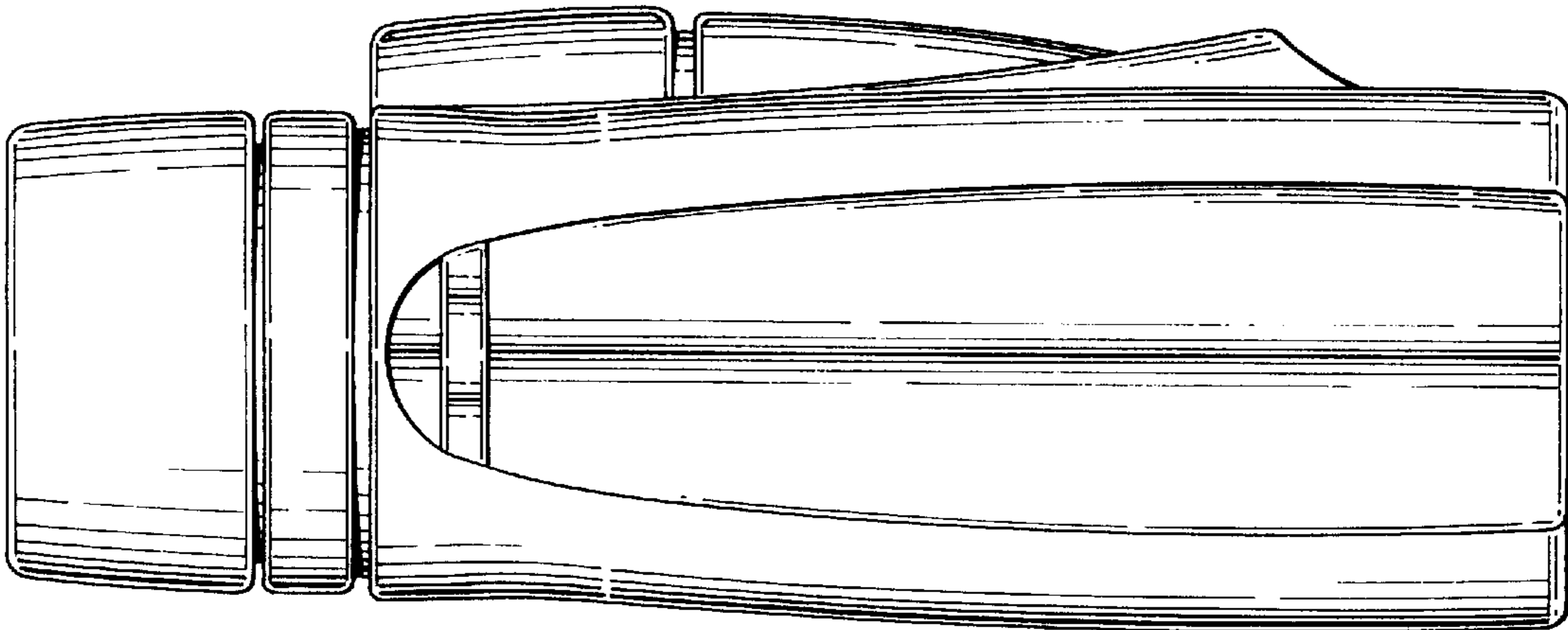


FIG. 7

