



US00D448391B1

(12) **United States Design Patent**
Stauffer et al.

(10) **Patent No.:** **US D448,391 S**

(45) **Date of Patent:** **** Sep. 25, 2001**

(54) **PORTABLE BAR AND REFRIGERATOR UNIT**

D. 394,499 * 5/1998 Bettag et al. D15/79
D. 438,400 * 3/2001 Acheson D15/85

(75) Inventors: **Gordon L. Stauffer**, Green, MI (US);
Richard B. Detrick, Ludlow Falls, OH (US)

* cited by examiner

Primary Examiner—Mitchell Siegel

(73) Assignee: **Northland Corporation**, Richmond, IN (US)

(74) *Attorney, Agent, or Firm*—Jacox, Meckstroth & Jenkins

(**) Term: **14 Years**

(57) **CLAIM**

The ornamental design of a portable bar and refrigerator unit, as shown and described.

(21) Appl. No.: **29/128,774**

DESCRIPTION

(22) Filed: **Aug. 31, 2000**

(51) **LOC (7) Cl.** **15-07**

FIG. 1 is a perspective view of a portable bar and refrigerator unit showing our new design;

(52) **U.S. Cl.** **D15/79**

FIG. 2 is a side view thereof;

(58) **Field of Search** D15/79, 81, 85,
D15/86; 62/258, 292

FIG. 3 is an opposite side view thereof;

FIG. 4 is an end view thereof;

FIG. 5 is an opposite end view thereof; and,

FIG. 6 is a top view thereof.

(56) **References Cited**

U.S. PATENT DOCUMENTS

D. 205,260 * 7/1966 Blasco D15/86

1 Claim, 4 Drawing Sheets

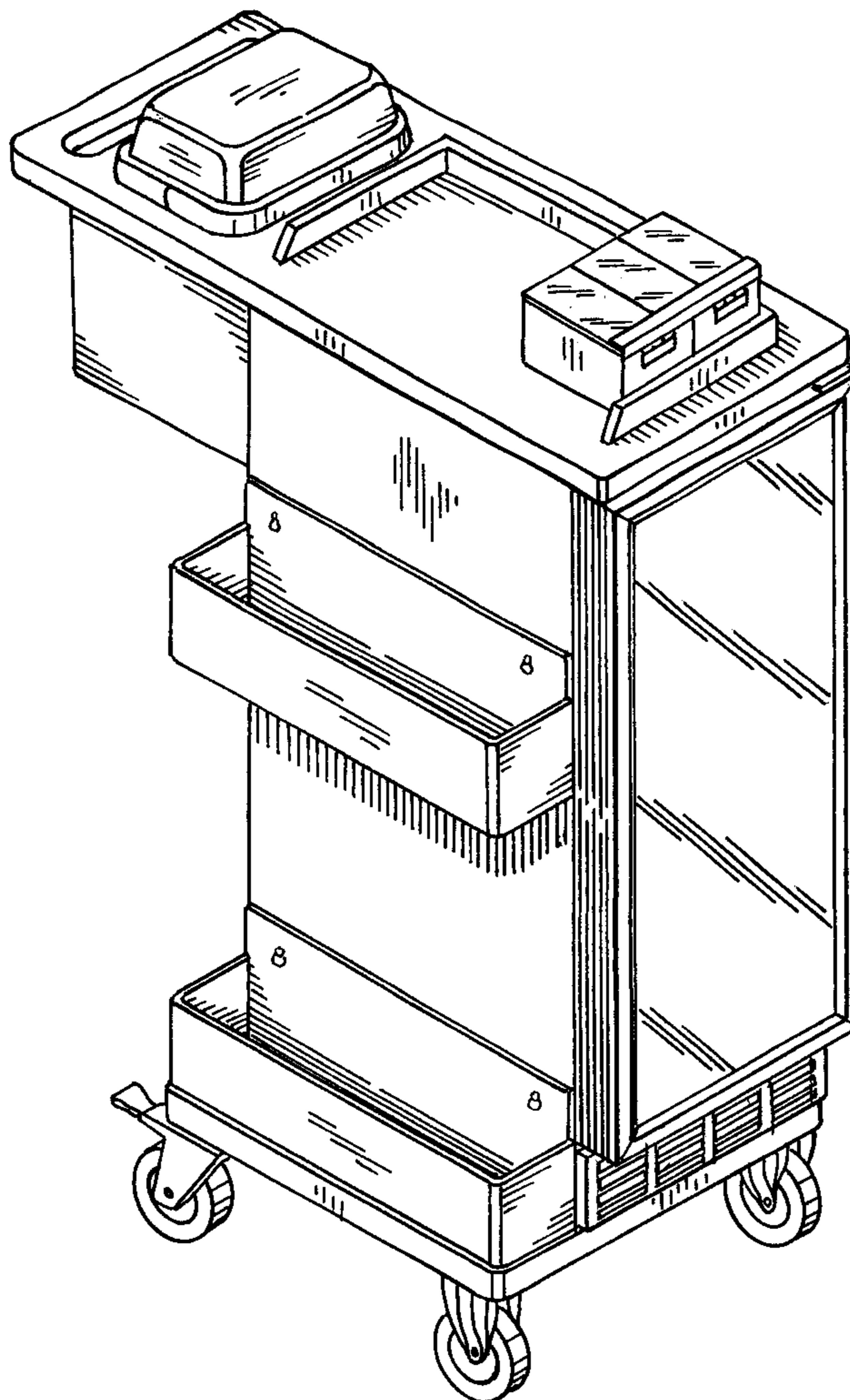


FIG-1

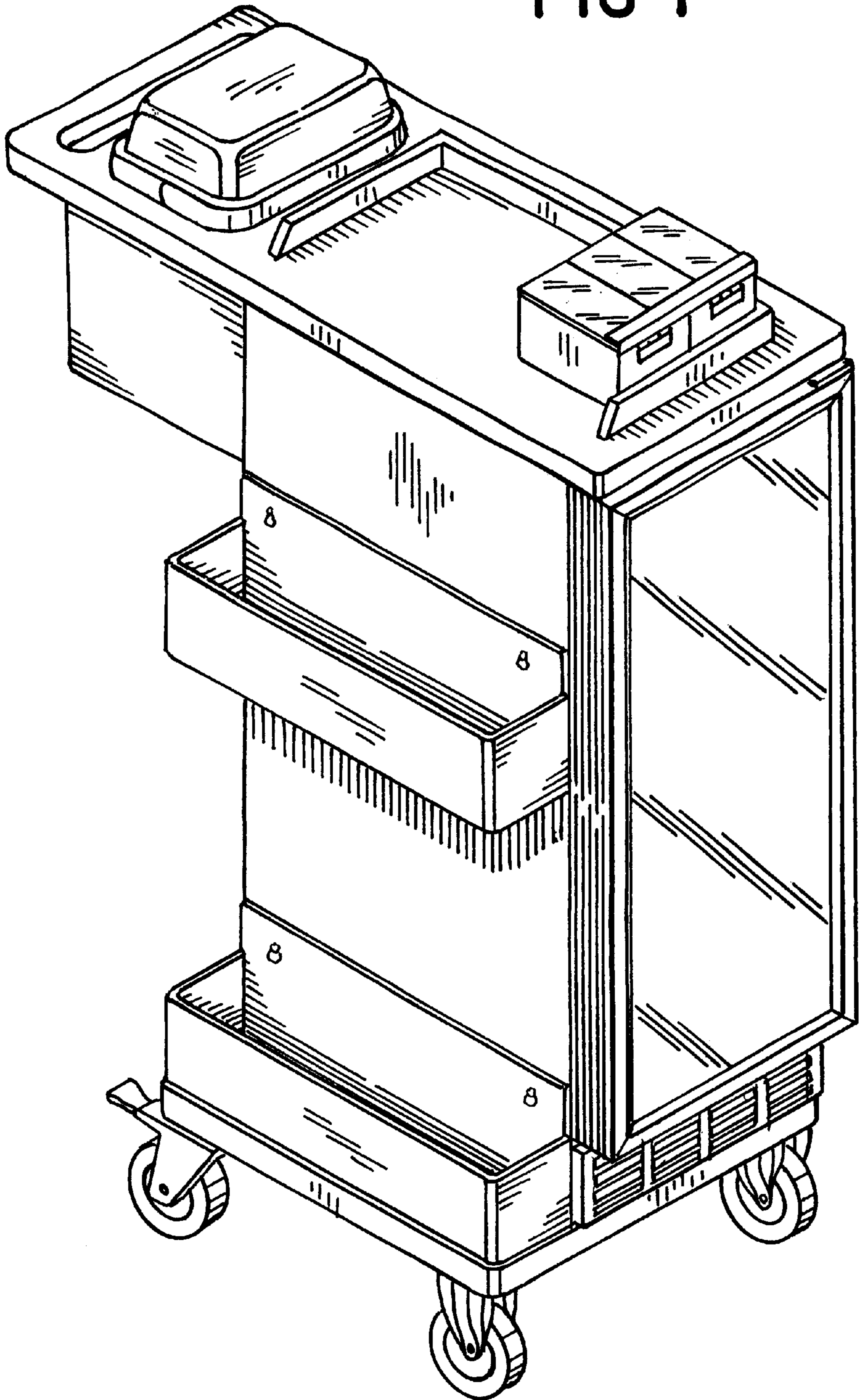


FIG-2

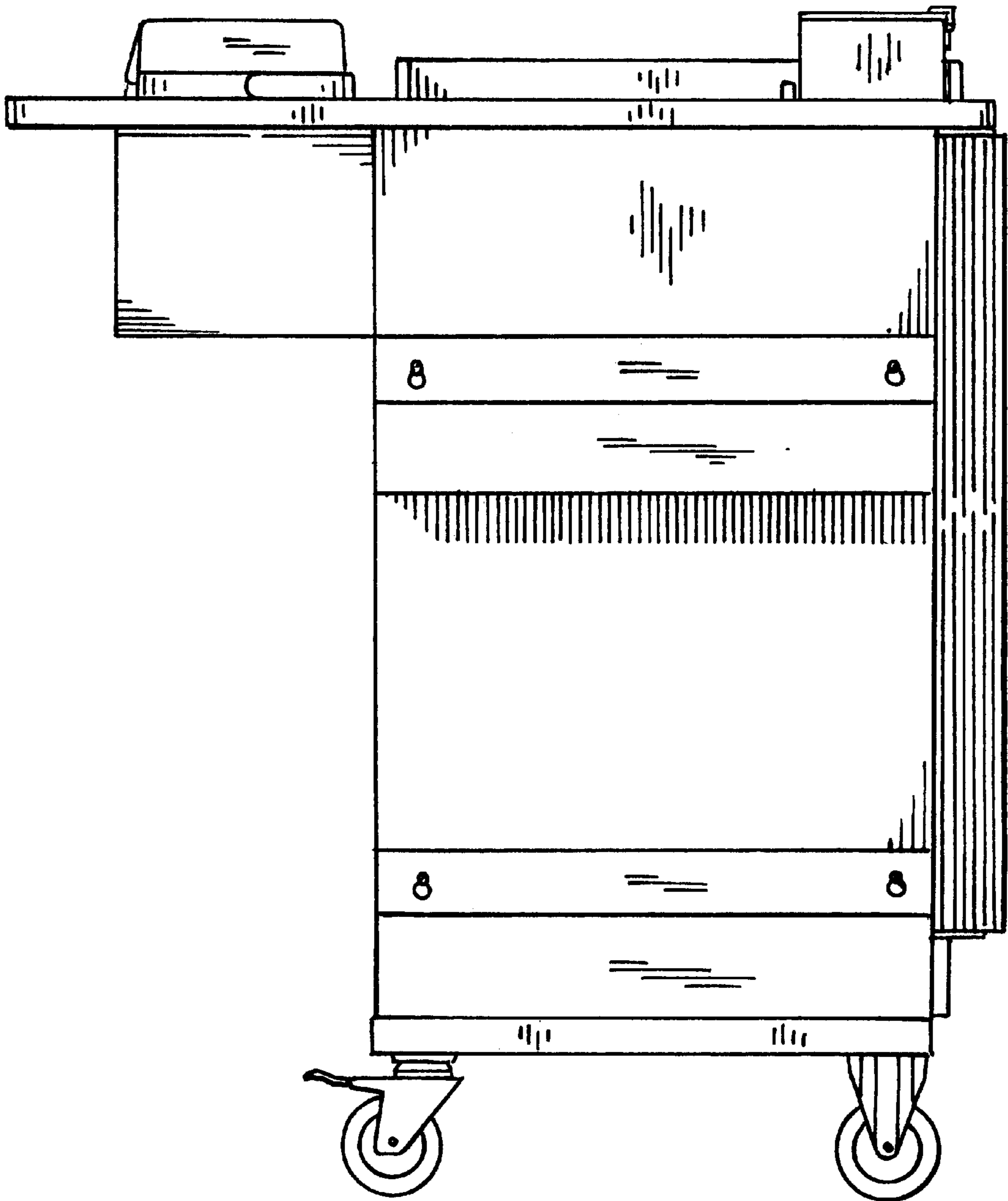


FIG-3

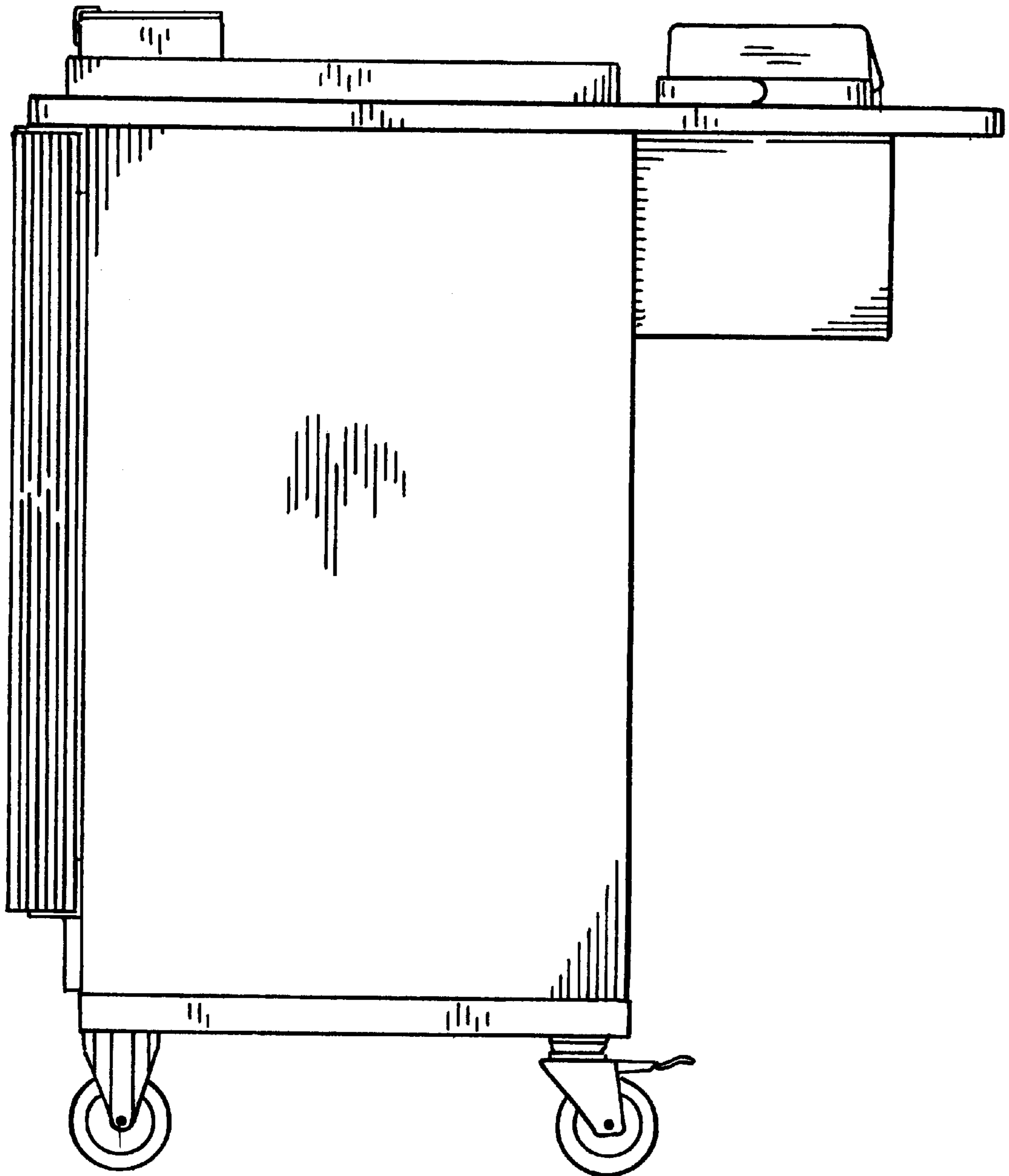


FIG-4

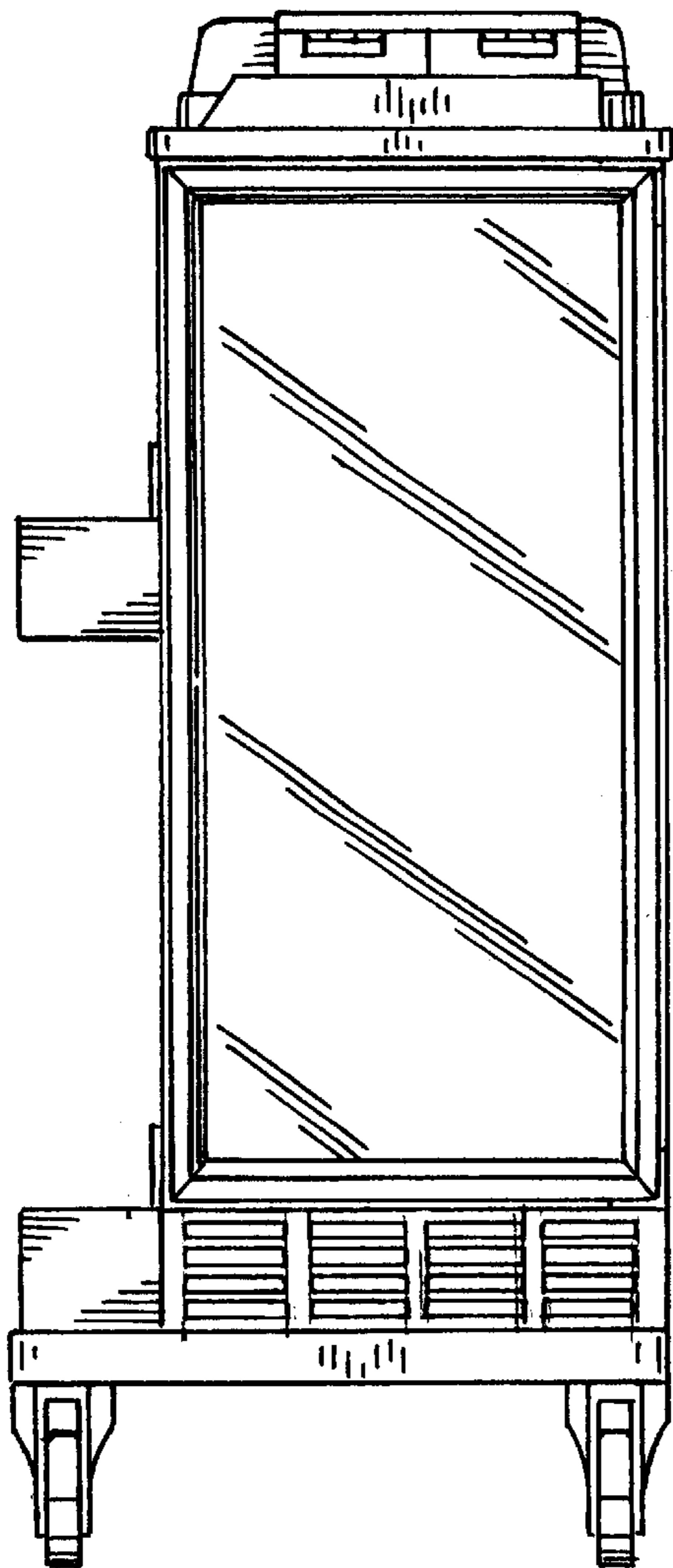


FIG-5

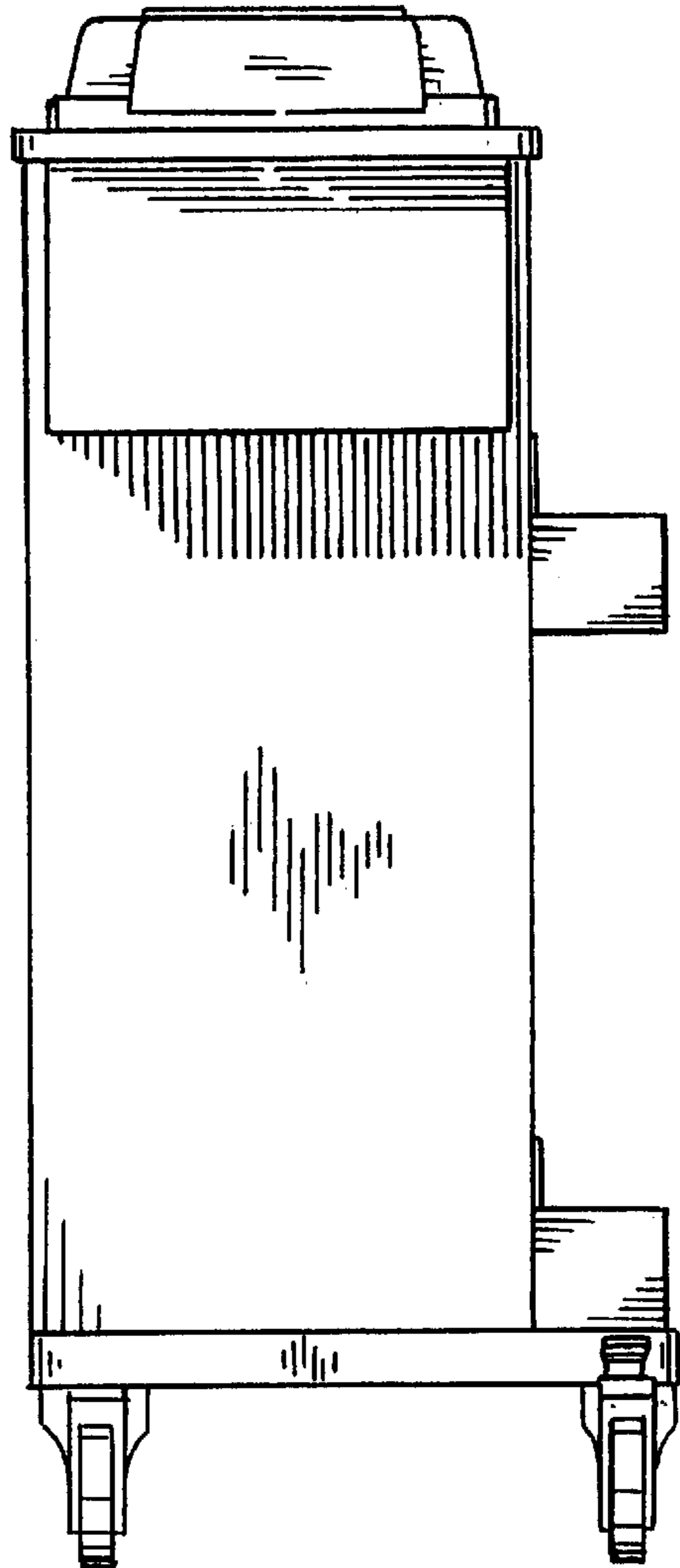


FIG-6

