



US00D448390B1

(12) **United States Design Patent**
Westimayer et al.

(10) **Patent No.:** **US D448,390 S**

(45) **Date of Patent:** **** Sep. 25, 2001**

(54) **OUTER SURFACE OF A VEHICLE FOOTREST**

(75) **Inventors:** **David Anthony Westimayer**, Horicon; **Matthew Paul Gueller**, Slinger, both of WI (US); **Daniel Robert Nickles**, St. Thomas, VI (US); **Thomas Howard Ward**, Ventura, CA (US)

(73) **Assignee:** **Deere & Company**, Moline, IL (US)

(**) **Term:** **14 Years**

(21) **Appl. No.:** **29/132,228**

(22) **Filed:** **Nov. 3, 2000**

(51) **LOC (7) Cl.** **15-03**

(52) **U.S. Cl.** **D15/28**

(58) **Field of Search** D15/14-18, 23, D15/28, 31, 33; 56/13.3, 13.4, 16.1, 15.8, 15.9, 16.7, 17.4, 202, 255, 294, 320.1, 320.2; 180/900, 273, 68.6, 69.21

(56) **References Cited**

U.S. PATENT DOCUMENTS

D. 209,043	*	10/1967	Purcell et al.	D15/28
D. 248,397	*	7/1978	Cognata et al.	D15/15
D. 297,538	*	9/1988	Ogasawara et al.	D15/15
D. 310,374		9/1990	Westimayer et al.	D15/15
D. 311,543		10/1990	Hardzinski et al.	D15/17
D. 329,242		9/1992	Holm et al.	D15/17
D. 354,756	*	1/1995	Hinklin	D15/15
D. 365,573		12/1995	Westimayer et al.	D15/17
D. 365,578		12/1995	Westimayer et al.	D15/31

D. 371,372		7/1996	Westimayer et al.	D15/31
D. 381,341		7/1997	Goebert et al.	D15/31
D. 382,279	*	8/1997	Goebert et al.	D15/31
D. 392,982	*	3/1998	Smith	D15/17
D. 421,266	*	2/2000	Hinklin	D15/15
D. 427,205	*	6/2000	Shimizu	D15/23
D. 440,233	*	4/2001	Smith	D15/17
D. 440,982	*	4/2001	Knight et al.	D15/23
4,620,575	*	11/1986	Cuba et al.	180/307

* cited by examiner

Primary Examiner—Mitchell Siegel

(57) **CLAIM**

The ornamental design for an outer surface of a vehicle footrest, as shown and described.

DESCRIPTION

FIG. 1 is a left front elevated perspective view of an outer surface of a vehicle footrest, showing our new design, the broken line showing of the vehicle being for illustrative purposes only, and forms no part of the claimed design.

FIG. 2 is a right rear enlarged and elevated perspective view of the outer surface of a vehicle footrest design of FIG. 1.

FIG. 3 is a plan view of the outer surface of a vehicle footrest design of FIG. 1.

FIG. 4 is a right side view of the outer surface of a vehicle footrest design of FIG. 1.

FIG. 5 is a left side view of the outer surface of a vehicle footrest design of FIG. 1; and,

FIG. 6 is a rear view of the outer surface of a vehicle footrest design of FIG. 1.

1 Claim, 3 Drawing Sheets

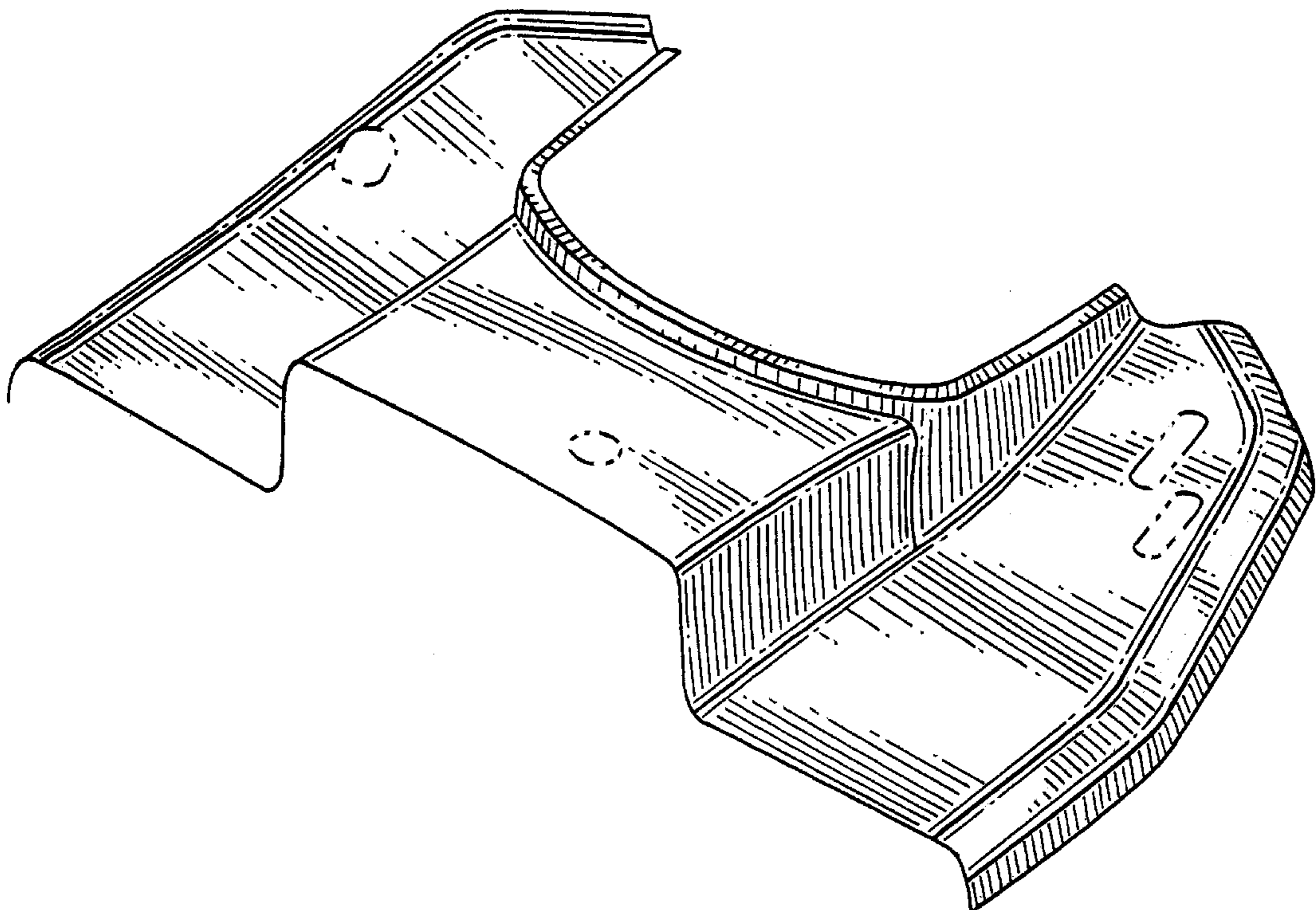
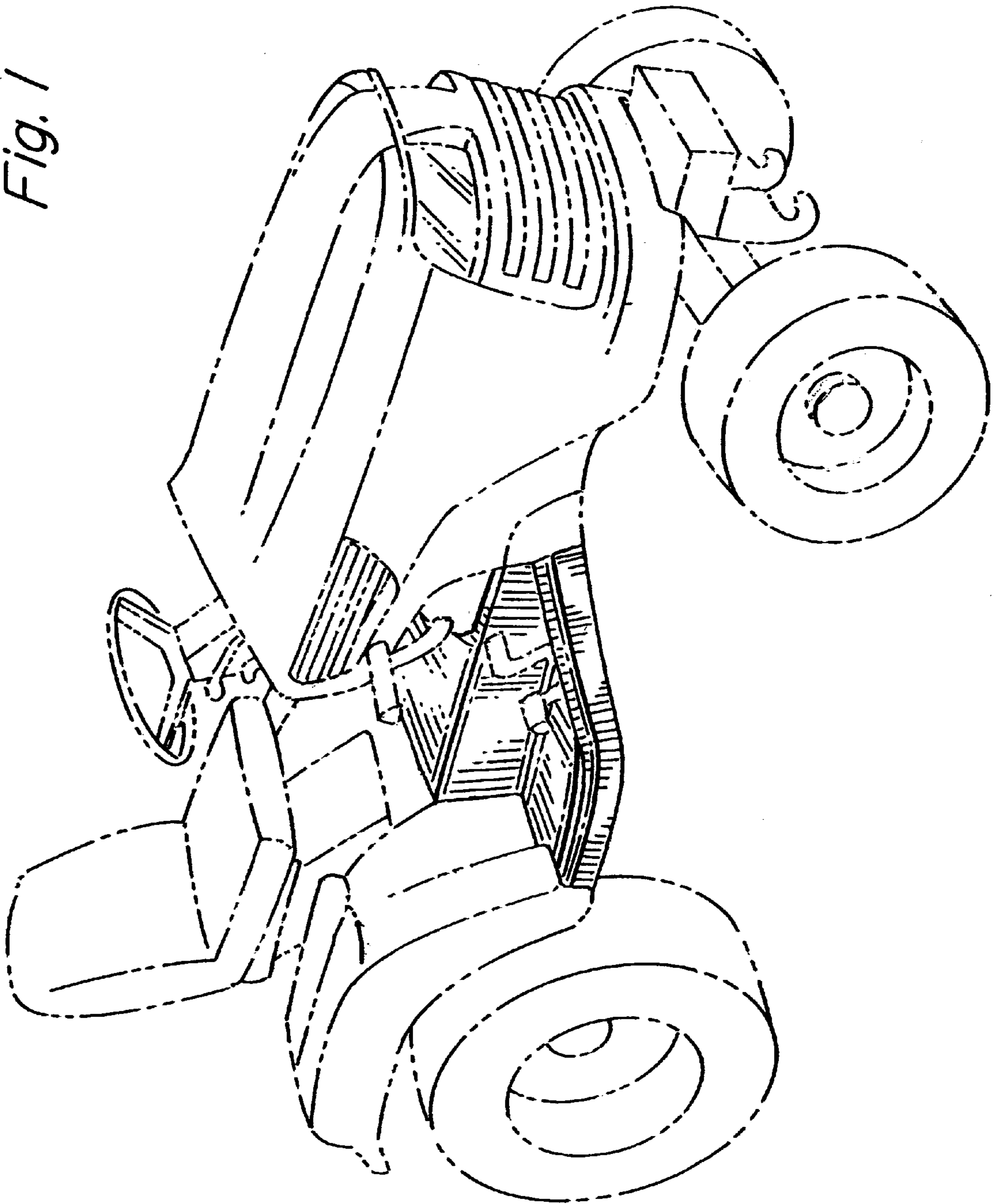


Fig. 1



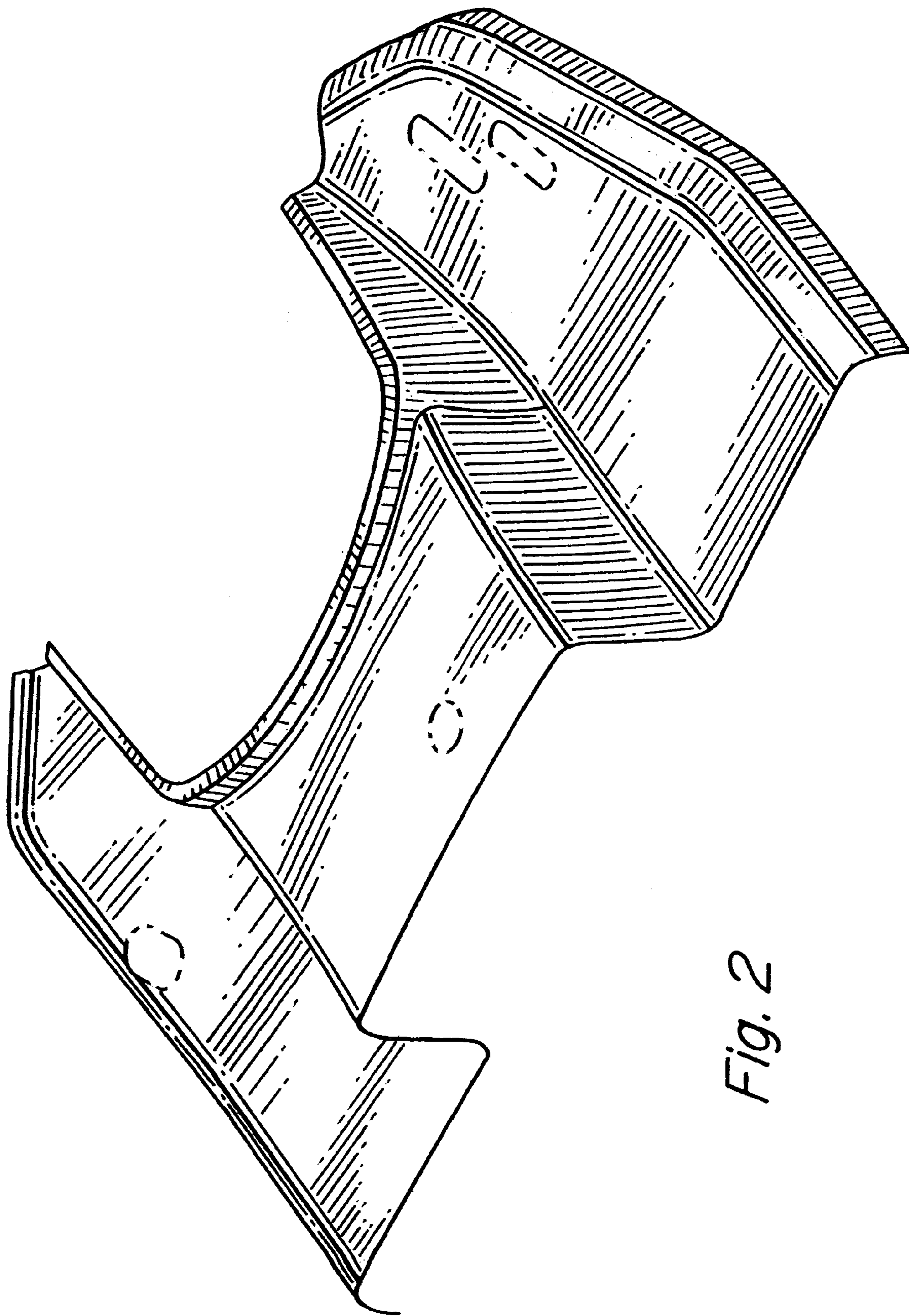


Fig. 2

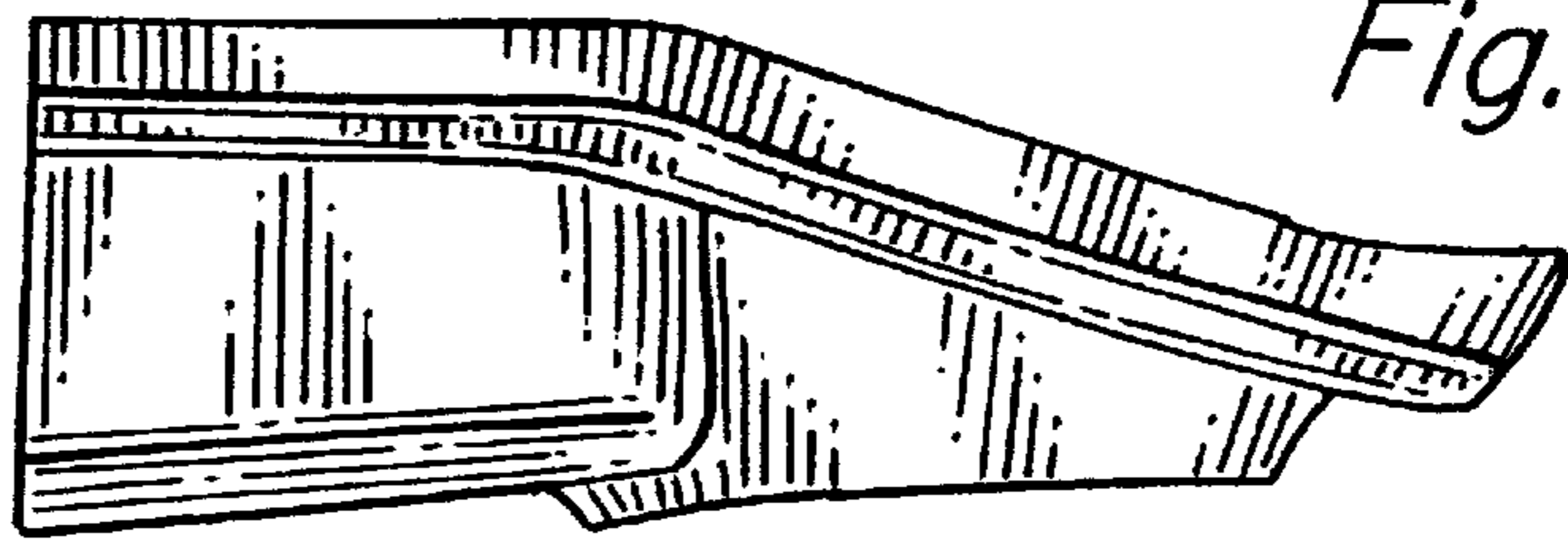


Fig. 5

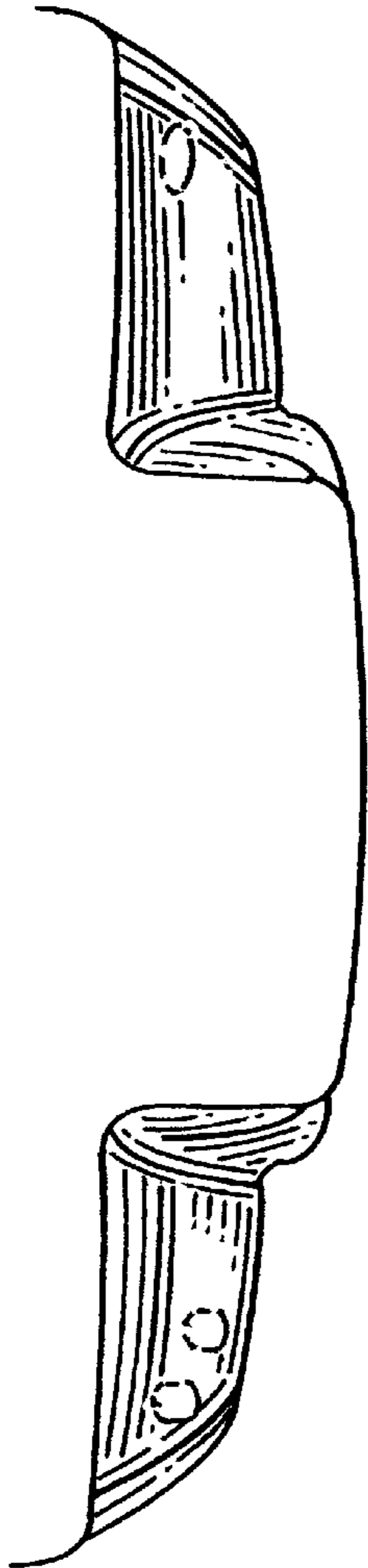


Fig. 6

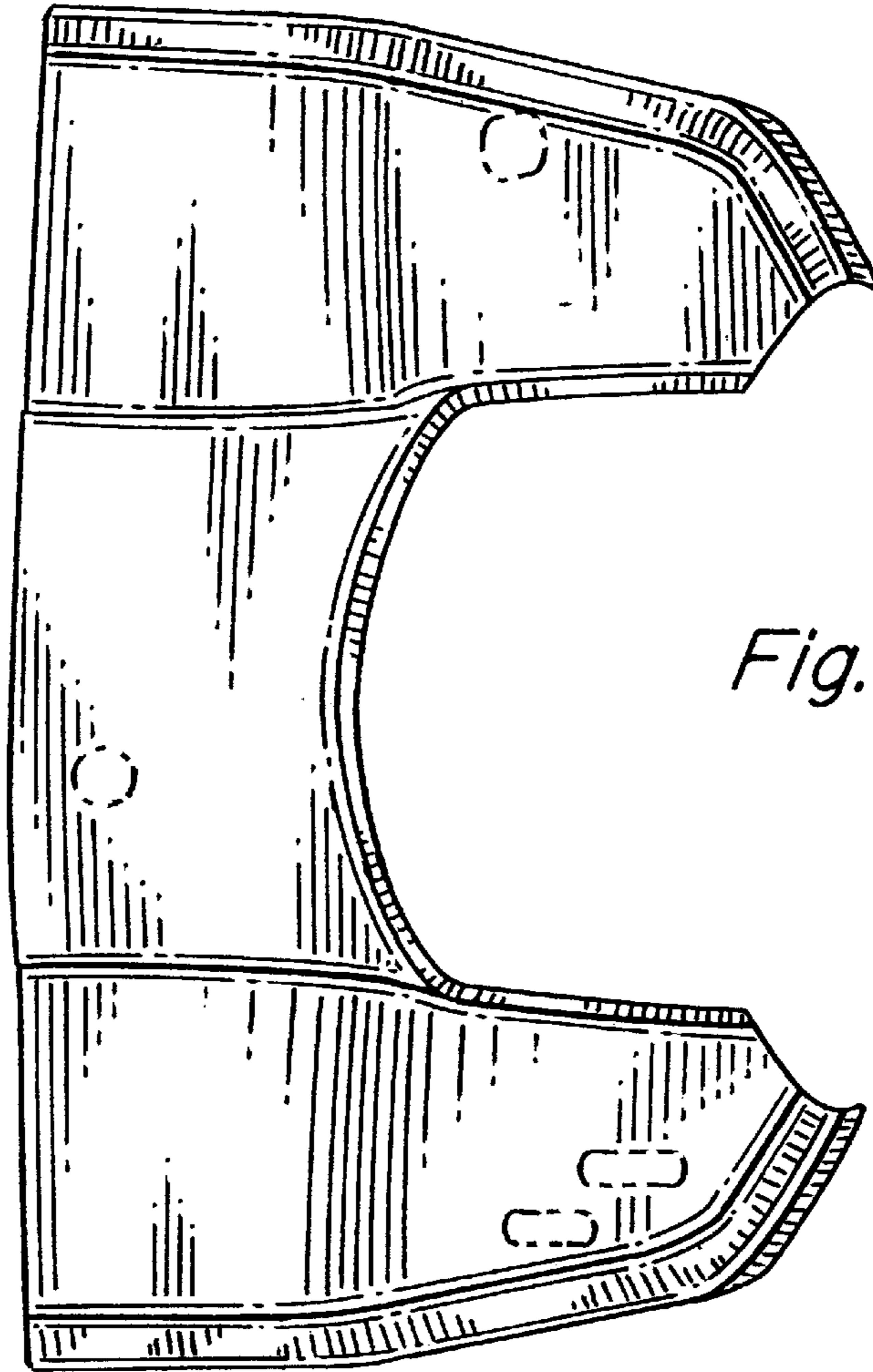


Fig. 3

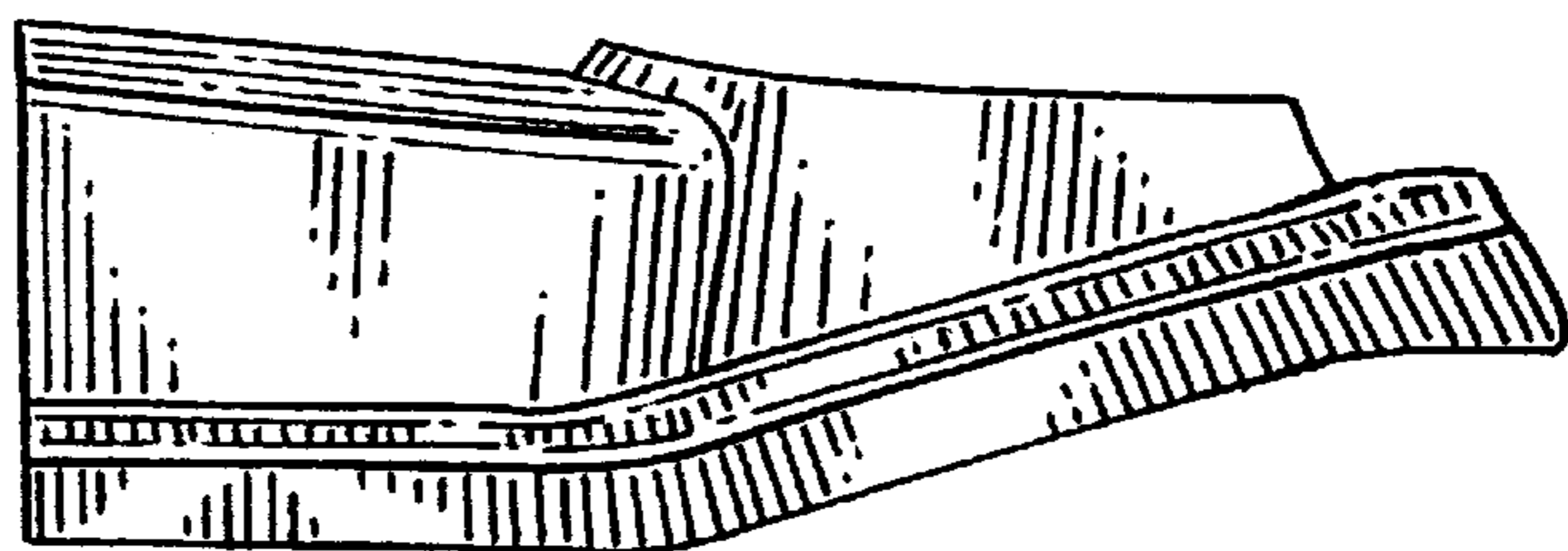


Fig. 4