



US00D448389B1

(12) **United States Design Patent**
Katoh et al.

(10) **Patent No.:** **US D448,389 S**

(45) **Date of Patent:** **** Sep. 25, 2001**

(54) **SNOWPLOW**

(75) Inventors: **Yuya Katoh, Wako; Masahiro Anzai, Urawa, both of (JP)**

(73) Assignee: **Honda Giken Kogyo Kabushiki Kaisha, Tokyo (JP)**

(**) Term: **14 Years**

(21) Appl. No.: **29/104,388**

(22) Filed: **May 4, 1999**

(30) **Foreign Application Priority Data**

Nov. 5, 1998 (JP) 10-31839

(51) **LOC (7) Cl.** **15-03**

(52) **U.S. Cl.** **D15/12**

(58) **Field of Search** D15/11, 12; 37/244, 37/257, 258, 260, 248, 249, 259, 262

(56) **References Cited**

U.S. PATENT DOCUMENTS

- D. 269,092 5/1983 Davies, III .
- D. 270,057 8/1983 Nakamura .
- D. 305,125 12/1989 Hinklin .
- D. 307,912 5/1990 Yoshida et al. .
- D. 314,775 * 2/1991 Yoshida et al. D15/11

- D. 320,993 * 10/1991 Pink et al. D15/12
- 3,512,279 * 5/1970 Benson .
- 5,163,239 * 11/1992 Lampe 37/260
- 5,398,431 * 3/1995 Beihoffer et al. 37/249

* cited by examiner

Primary Examiner—B. J. Bullock

(74) *Attorney, Agent, or Firm*—Blank Rome Comisky & McCauley, LLP

(57) **CLAIM**

The ornamental design for a snowplow, as shown and described.

DESCRIPTION

FIG. 1 is a perspective view of a snowplow showing our new design;

FIG. 2 is another front perspective view thereof;

FIG. 3 is a rear perspective view thereof;

FIG. 4 is a front elevational view thereof;

FIG. 5 is a rear elevational view thereof;

FIG. 6 is a top plan view thereof;

FIG. 7 is a right side elevational view thereof; and,

FIG. 8 is a left side elevational view thereof.

The broken lines are for illustrative purposes only and form no part of the claimed design.

1 Claim, 8 Drawing Sheets

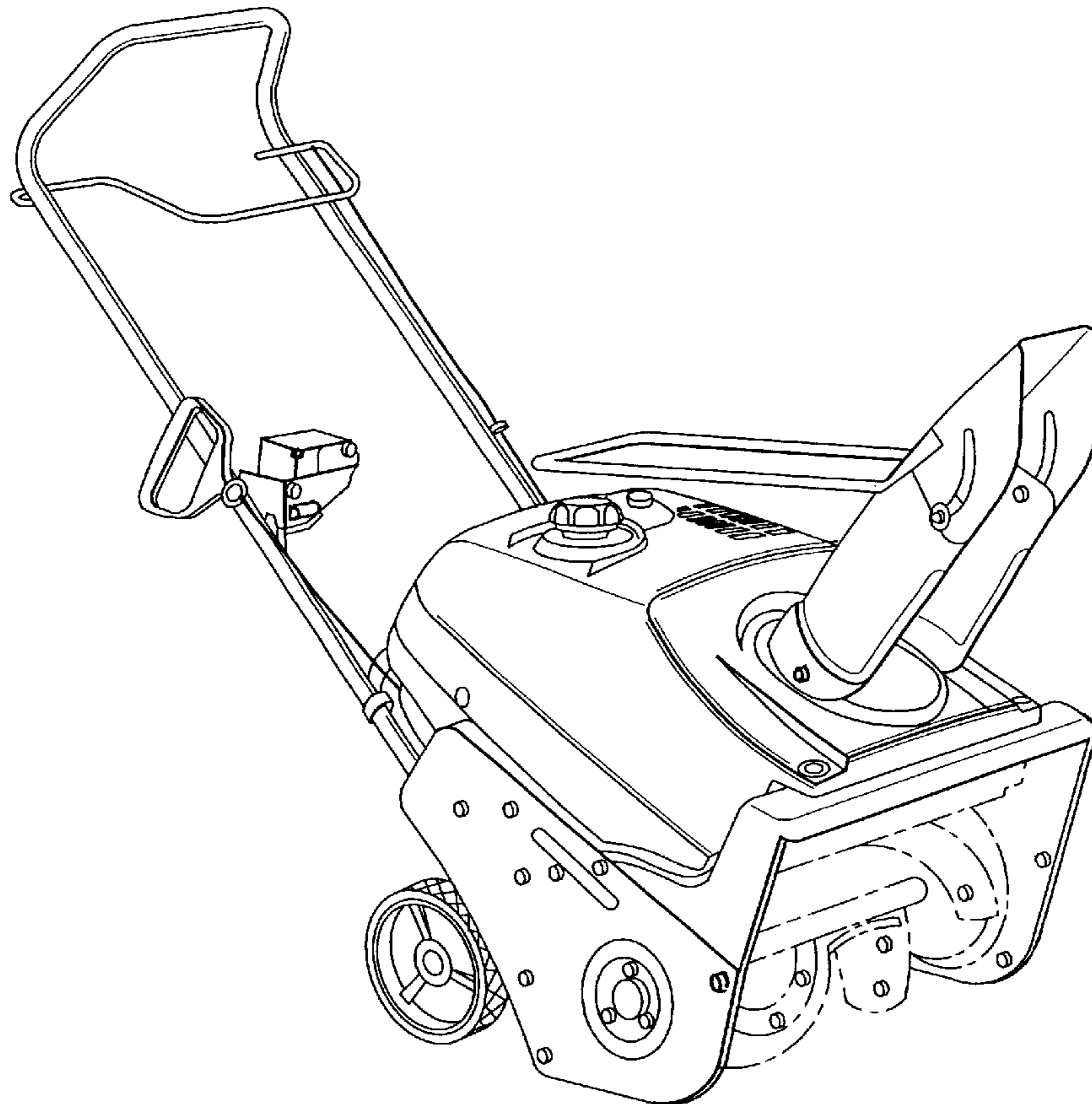


FIG. 1



FIG. 2

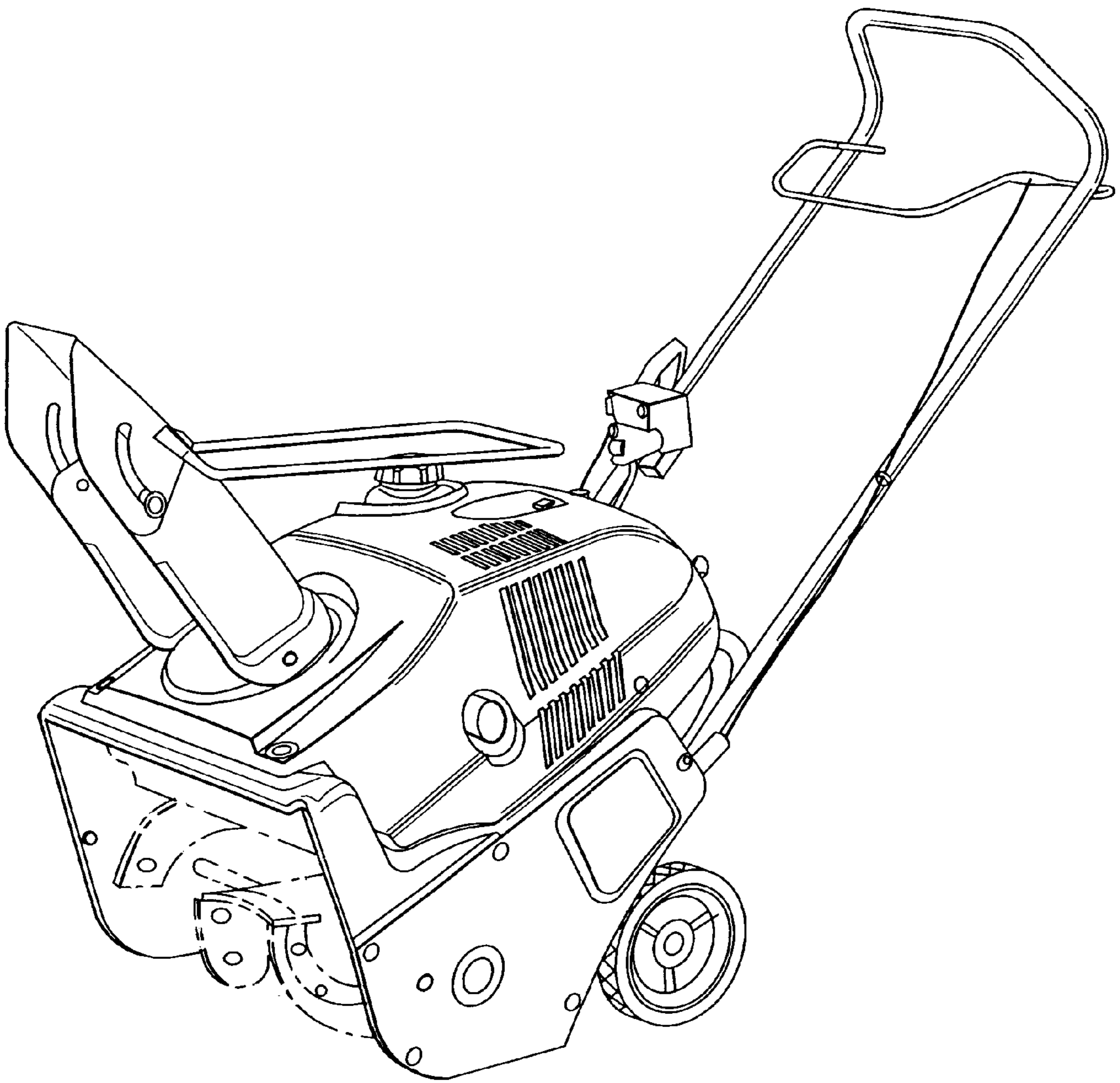


FIG. 3

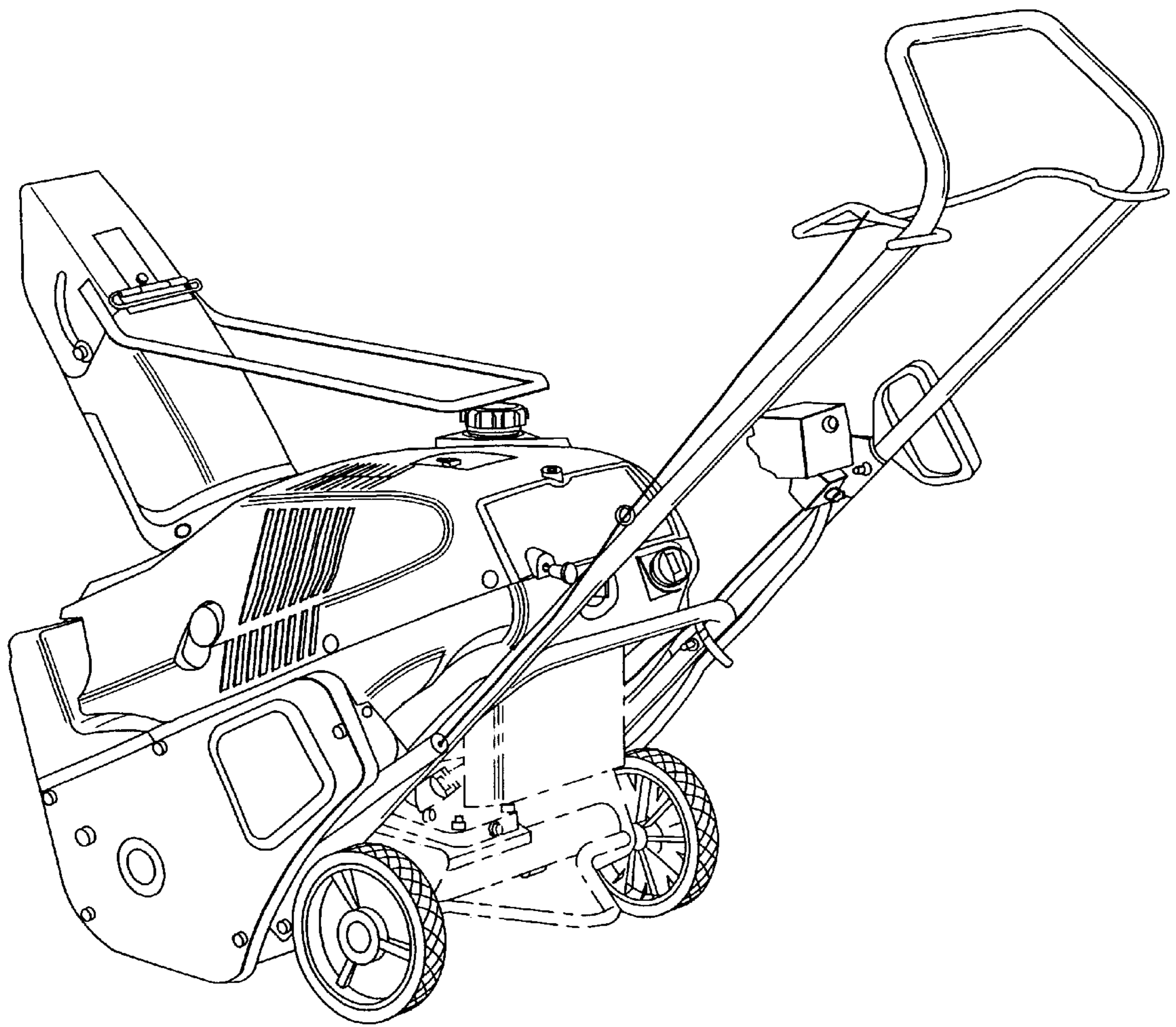


FIG. 4

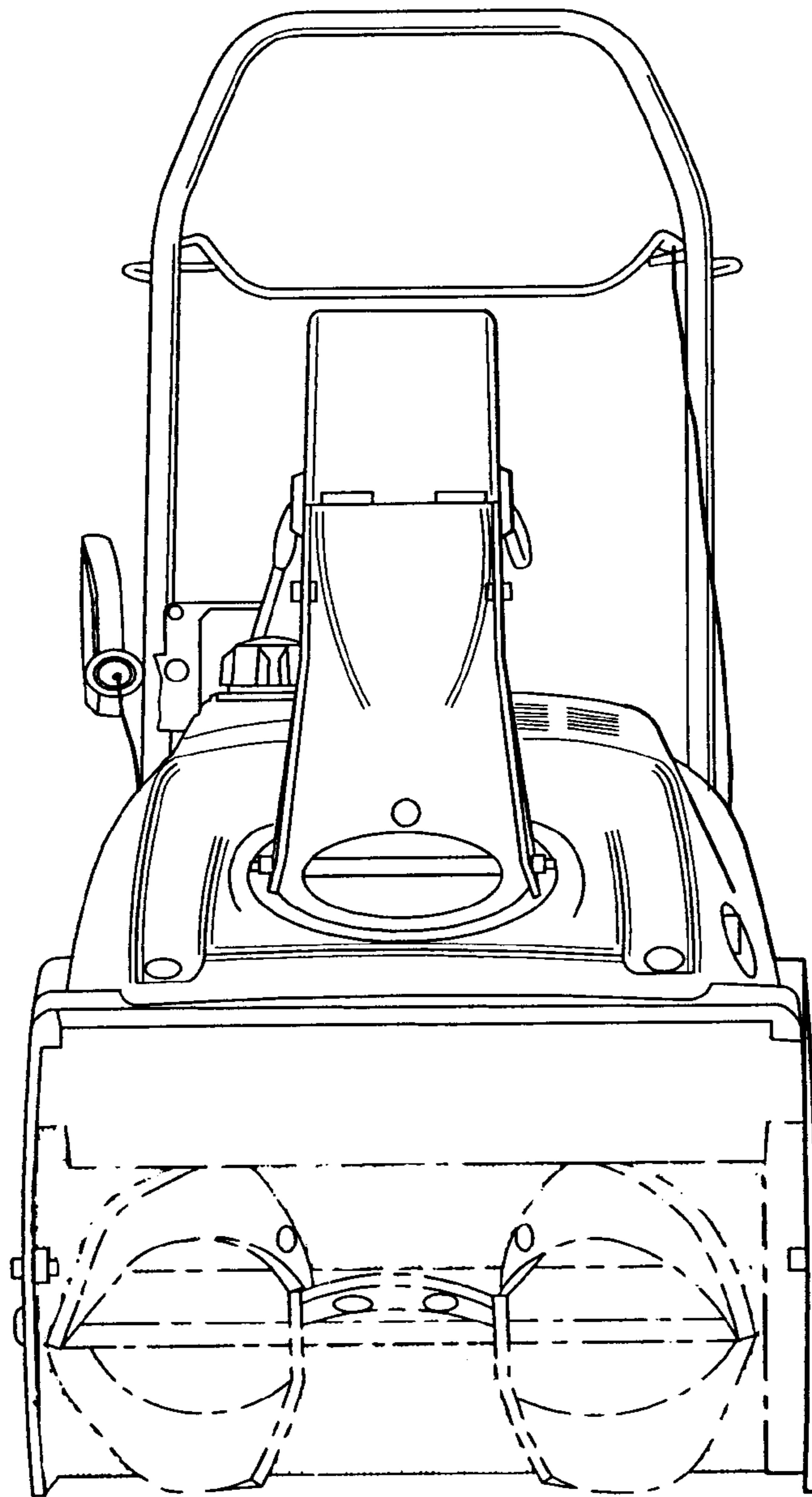


FIG. 5

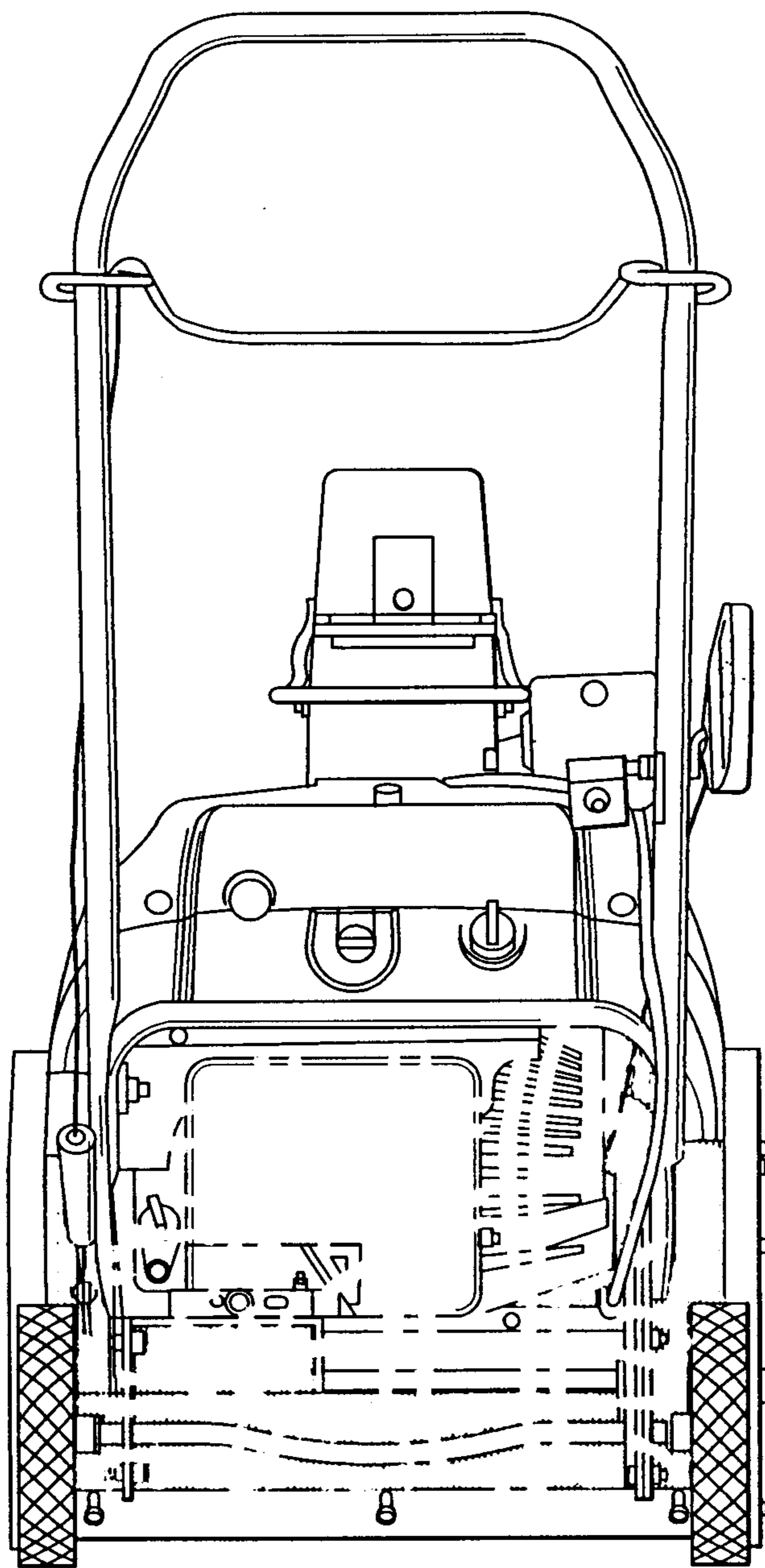


FIG. 6

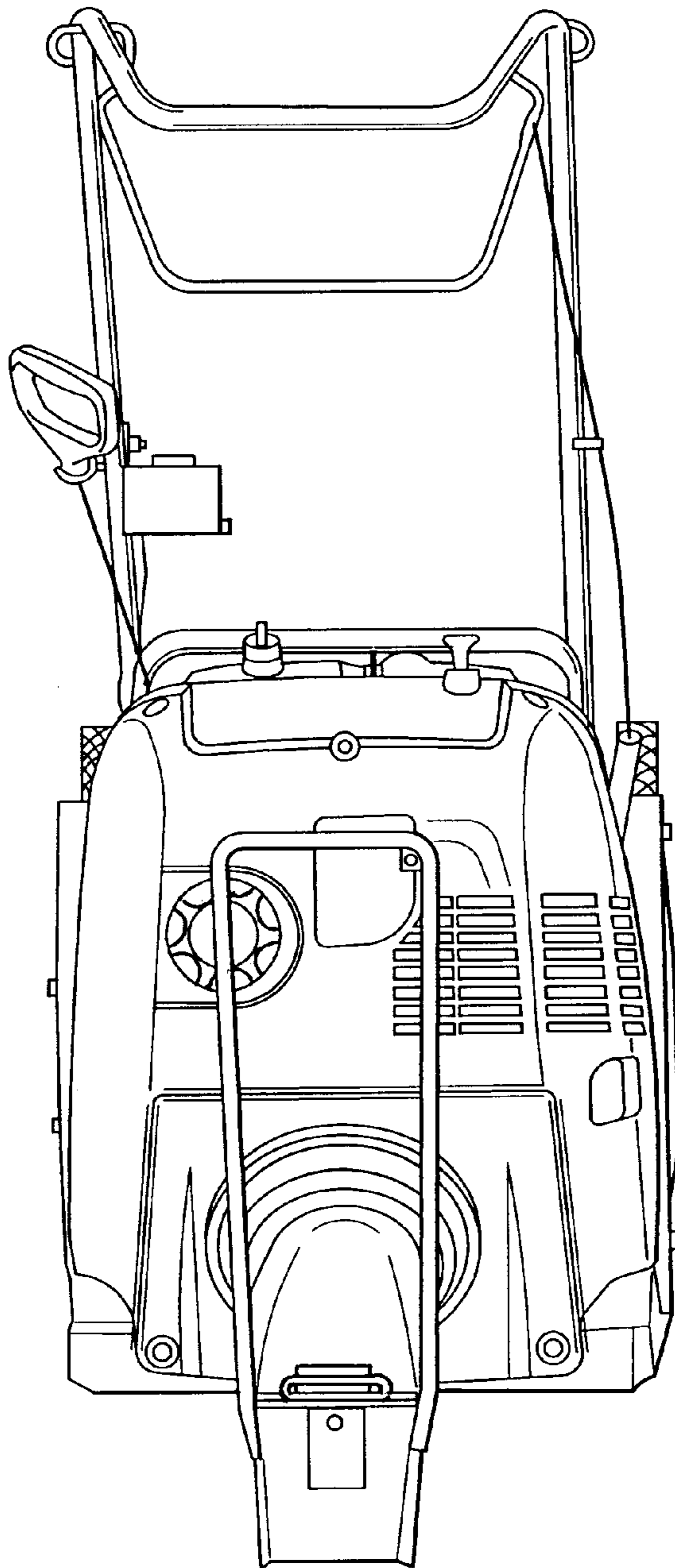


FIG. 7

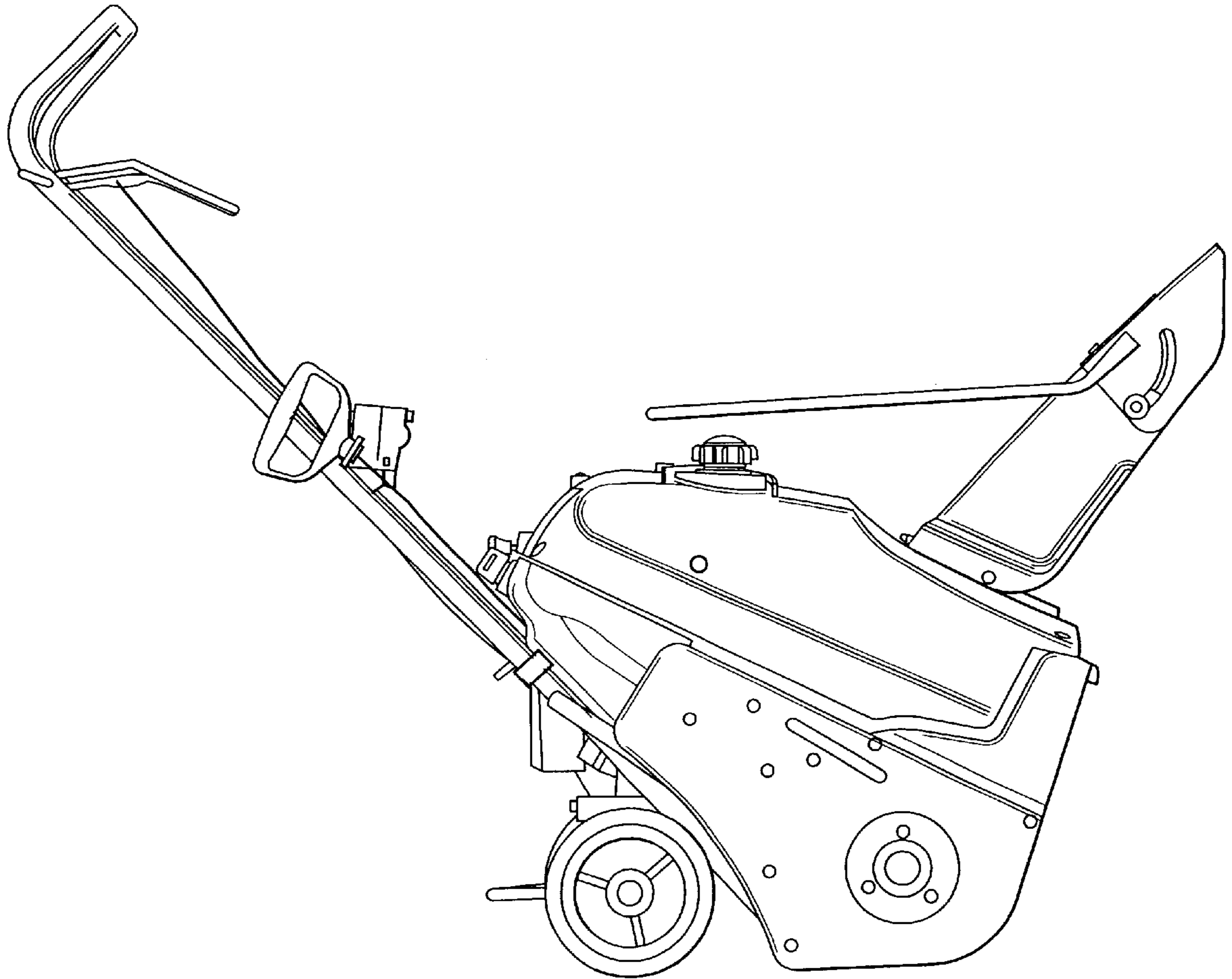


FIG. 8

