



US00D448385B1

(12) **United States Design Patent**
Oross et al.

(10) **Patent No.:** **US D448,385 S**

(45) **Date of Patent:** **** Sep. 25, 2001**

(54) **GUIDE BAR FOR A DOCKING STATION**

6,206,480 * 3/2001 Thompson 301/625

(75) Inventors: **Glen A Oross; Robert P Bliven;**
Michael D Derocher, all of Corvallis,
OR (US)

* cited by examiner

Primary Examiner—Kay H. Chin
(74) *Attorney, Agent, or Firm*—Curtis G. Rose

(73) Assignee: **Hewlett-Packard Company**, Palo Alto,
CA (US)

(57) **CLAIM**

(**) Term: **14 Years**

The ornamental design for a guide bar for a docking station,
as shown and described.

(21) Appl. No.: **29/127,081**

DESCRIPTION

(22) Filed: **Jul. 28, 2000**

(51) **LOC (7) Cl.** **14-02**

(52) **U.S. Cl.** **D14/434; D14/432**

(58) **Field of Search** D14/432, 434,
D14/439; 361/686, 683

FIG. 1 is a perspective view of the guide bar for a docking station showing my new design;

FIG. 2 is a top plan view thereof;

FIG. 3 is a bottom plan view thereof;

FIG. 4 is a front elevational view thereof;

FIG. 5 is a back elevational view thereof;

FIG. 6 is a right side elevational view thereof; and,

FIG. 7 is a left side elevational view thereof.

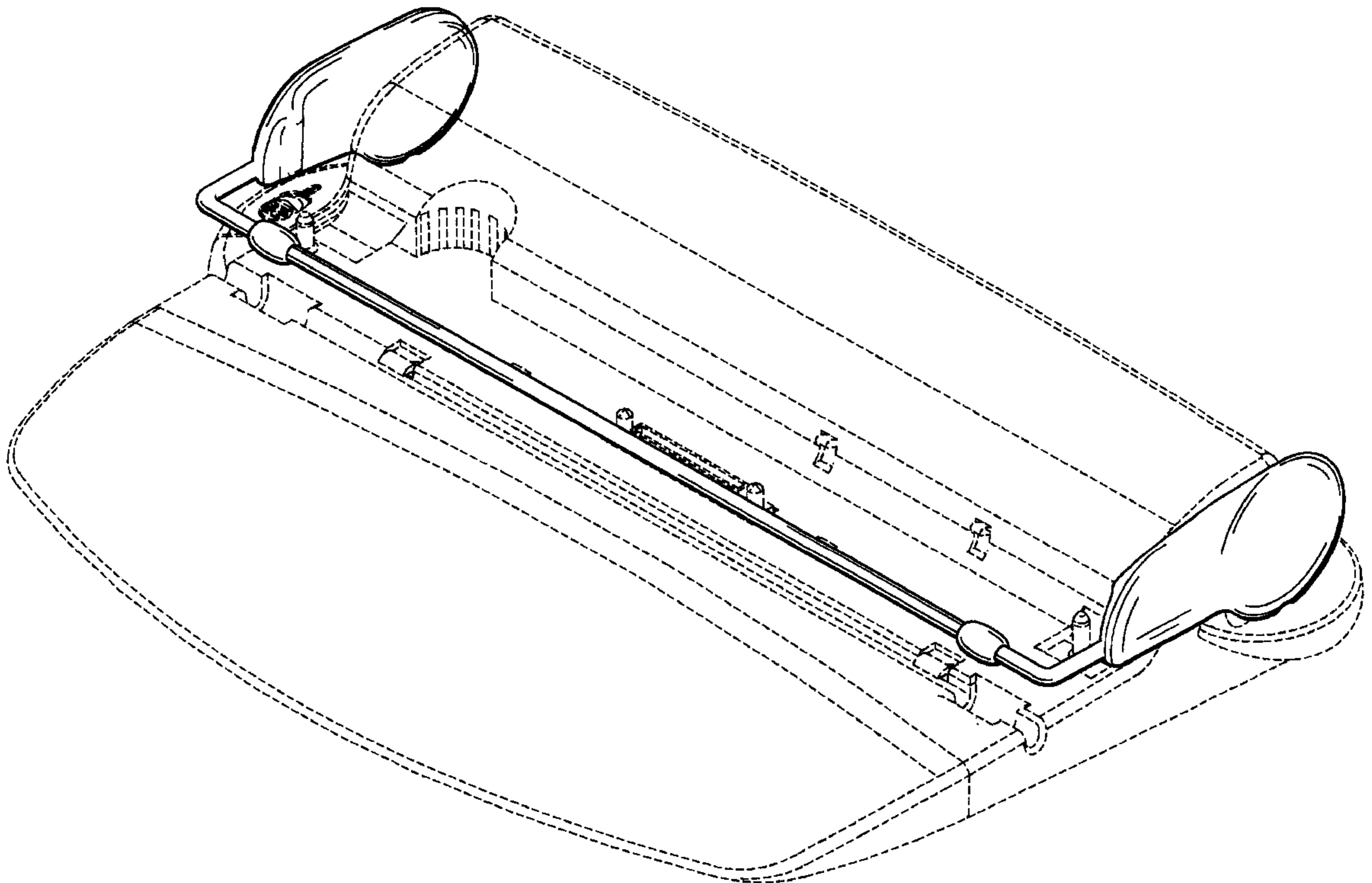
The broken line showing of a docking station in FIGS. 1-7 are environmental only and form no part of the claimed design.

(56) **References Cited**

U.S. PATENT DOCUMENTS

6,028,767 * 2/2000 Lan 361/686
6,072,695 * 6/2000 Steiger et al. 361/686
6,115,241 * 9/2000 Hu 361/683

1 Claim, 5 Drawing Sheets



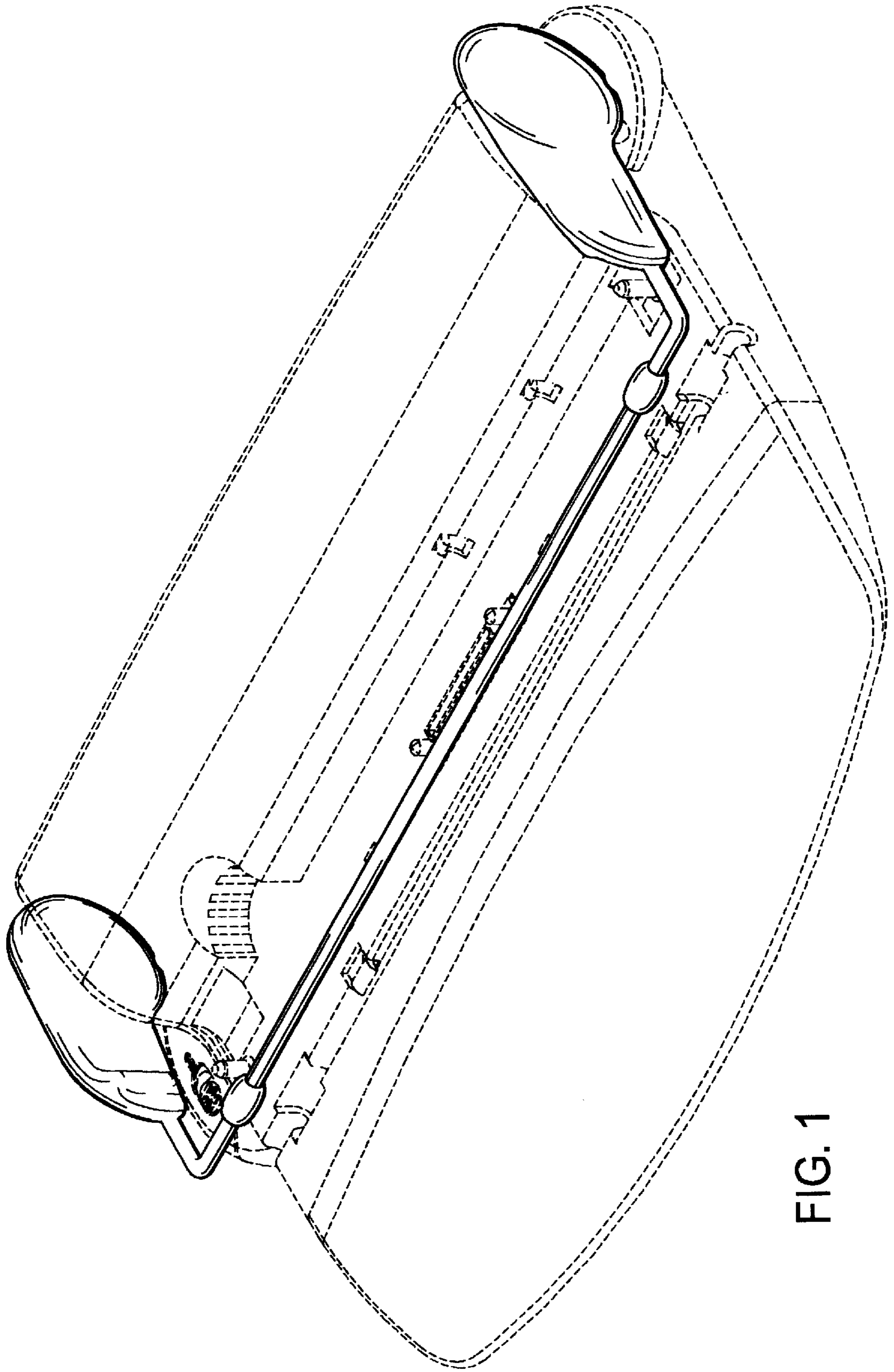
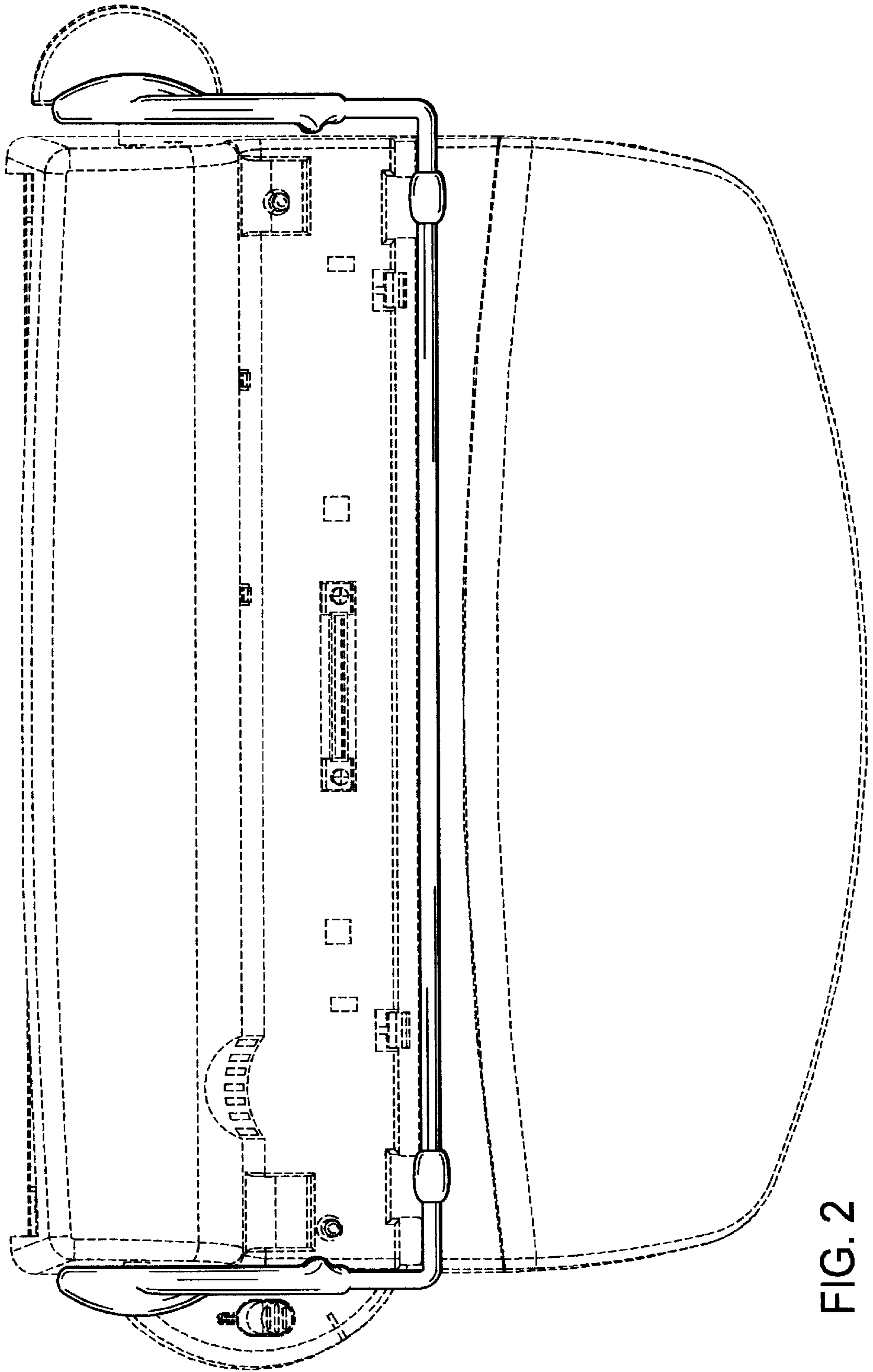


FIG. 1



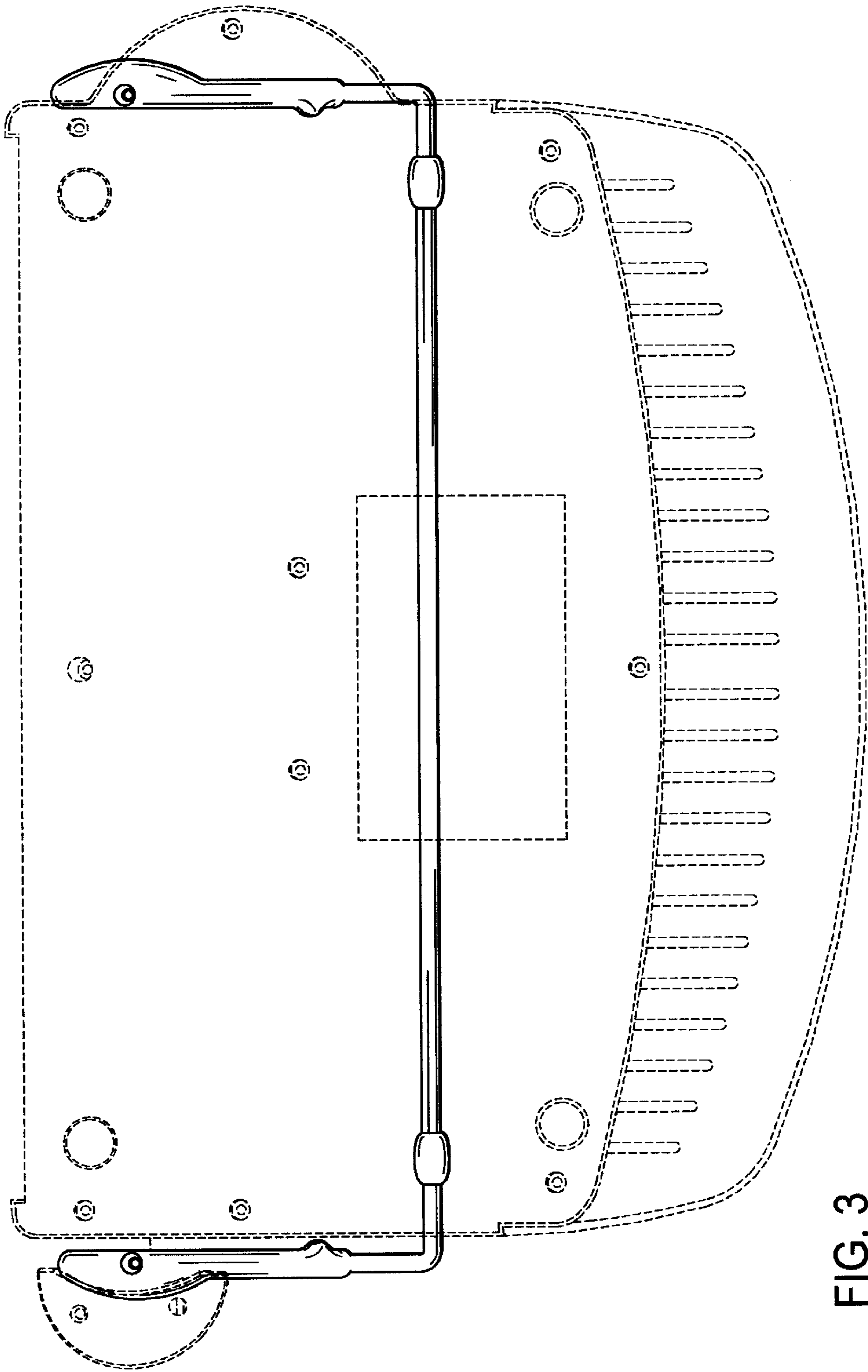


FIG. 3

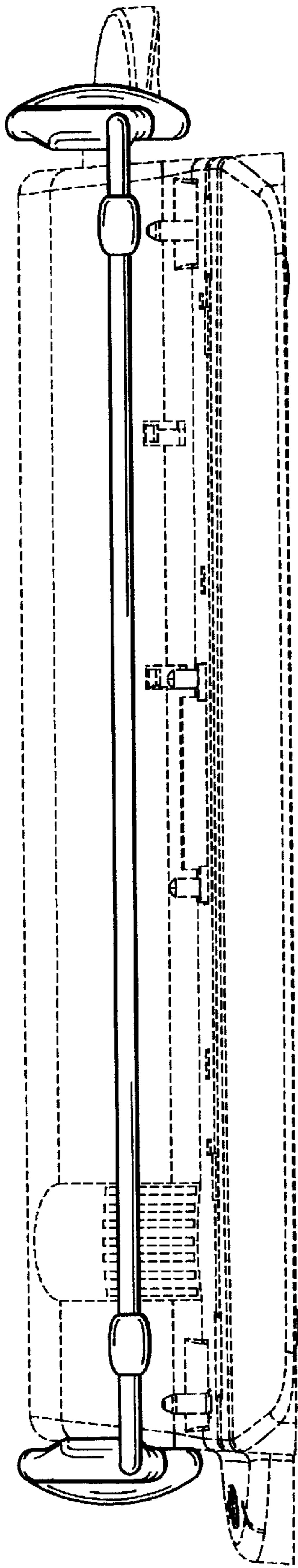


FIG. 4

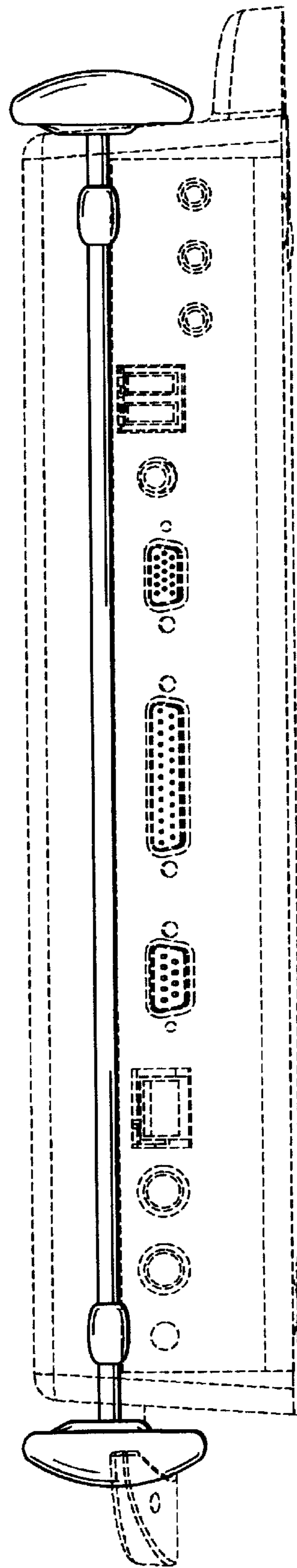


FIG. 5

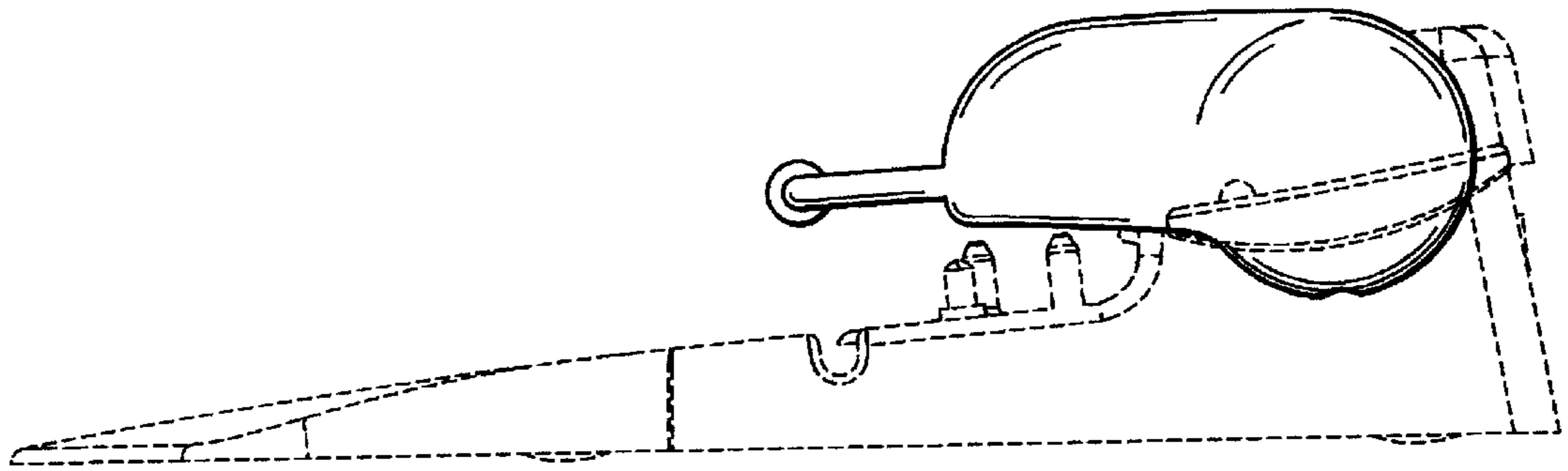


FIG. 6

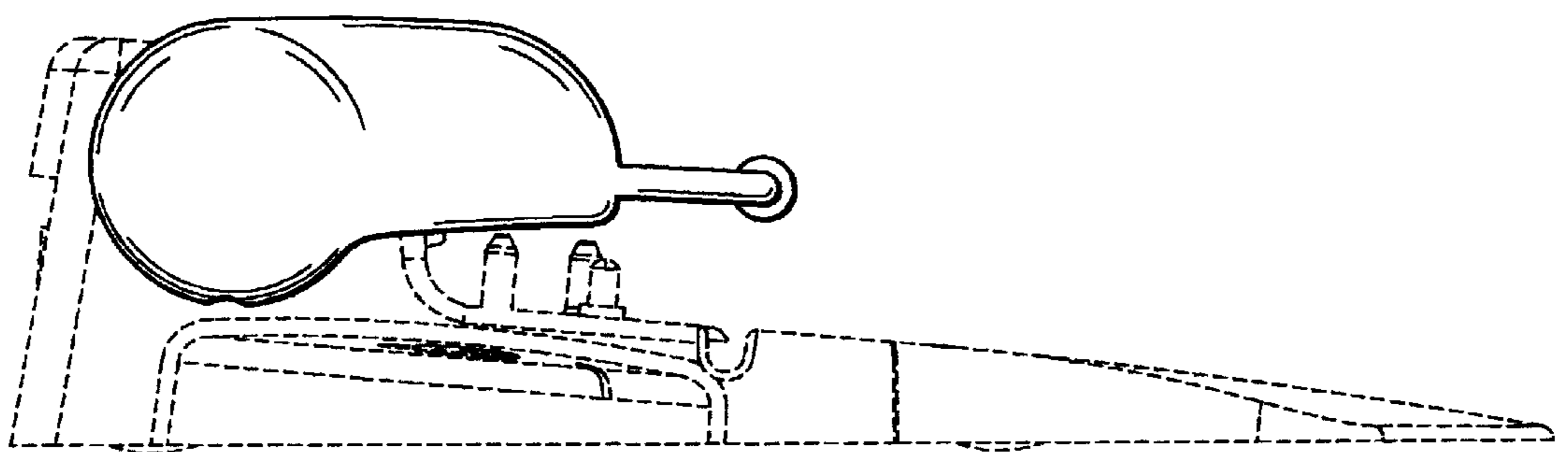


FIG. 7