



US00D448381B1

(12) **United States Design Patent**
Chen

(10) **Patent No.:** **US D448,381 S**

(45) **Date of Patent:** **** Sep. 25, 2001**

(54) **SCANNING AND PRINTING DEVICE**

D. 379,827 * 6/1997 Andre D18/54
D. 420,998 * 2/2000 Leong et al. D14/422

(75) Inventor: **Peter Chen, Shindian (TW)**

* cited by examiner

(73) Assignee: **Silitek Corporation, Taipei (TW)**

Primary Examiner—Freda Nunn

(**) Term: **14 Years**

(74) *Attorney, Agent, or Firm*—Rabin & Berdo, P.C.

(21) Appl. No.: **29/129,706**

(57) **CLAIM**

(22) Filed: **Sep. 21, 2000**

The ornamental design for a scanning and printing device, as shown and described.

(51) **LOC (7) Cl.** **14-02**

DESCRIPTION

(52) **U.S. Cl.** **D14/422**

(58) **Field of Search** D14/420-422,
D14/462; D18/54, 55; 250/556; 355/64,
65, 75, 81; 358/400, 401, 501, 502, 505,
506, 468

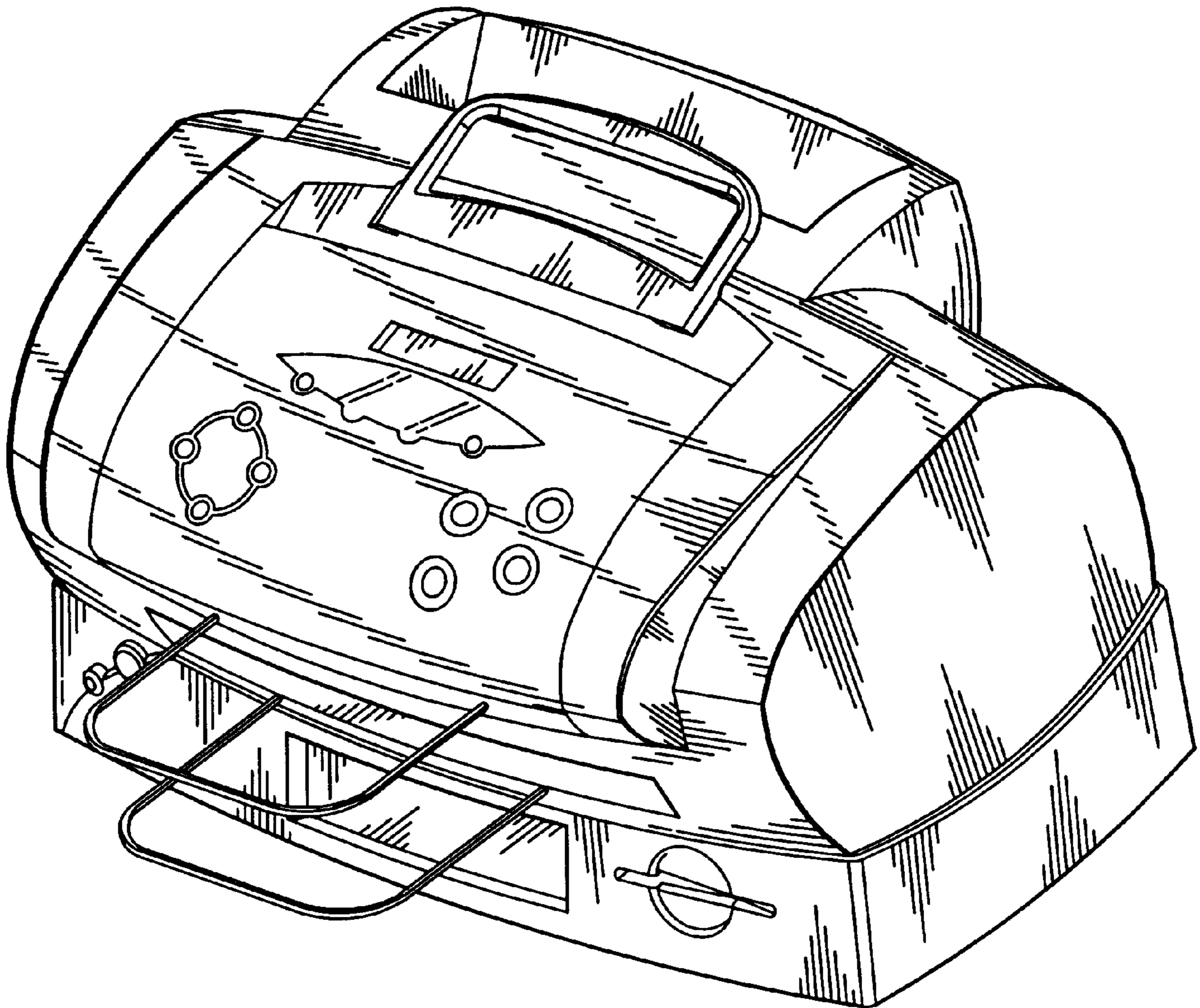
FIG. 1 is the perspective view of a scanning and printing device showing my new design;
FIG. 2 is the front view thereof;
FIG. 3 is a rear view thereof;
FIG. 4 is a left side view thereof;
FIG. 5 is a right side view thereof;
FIG. 6 is a top view thereof; and,
FIG. 7 is a bottom view thereof.

(56) **References Cited**

U.S. PATENT DOCUMENTS

D. 378,378 * 3/1997 Nakazawa et al. D18/54

1 Claim, 7 Drawing Sheets



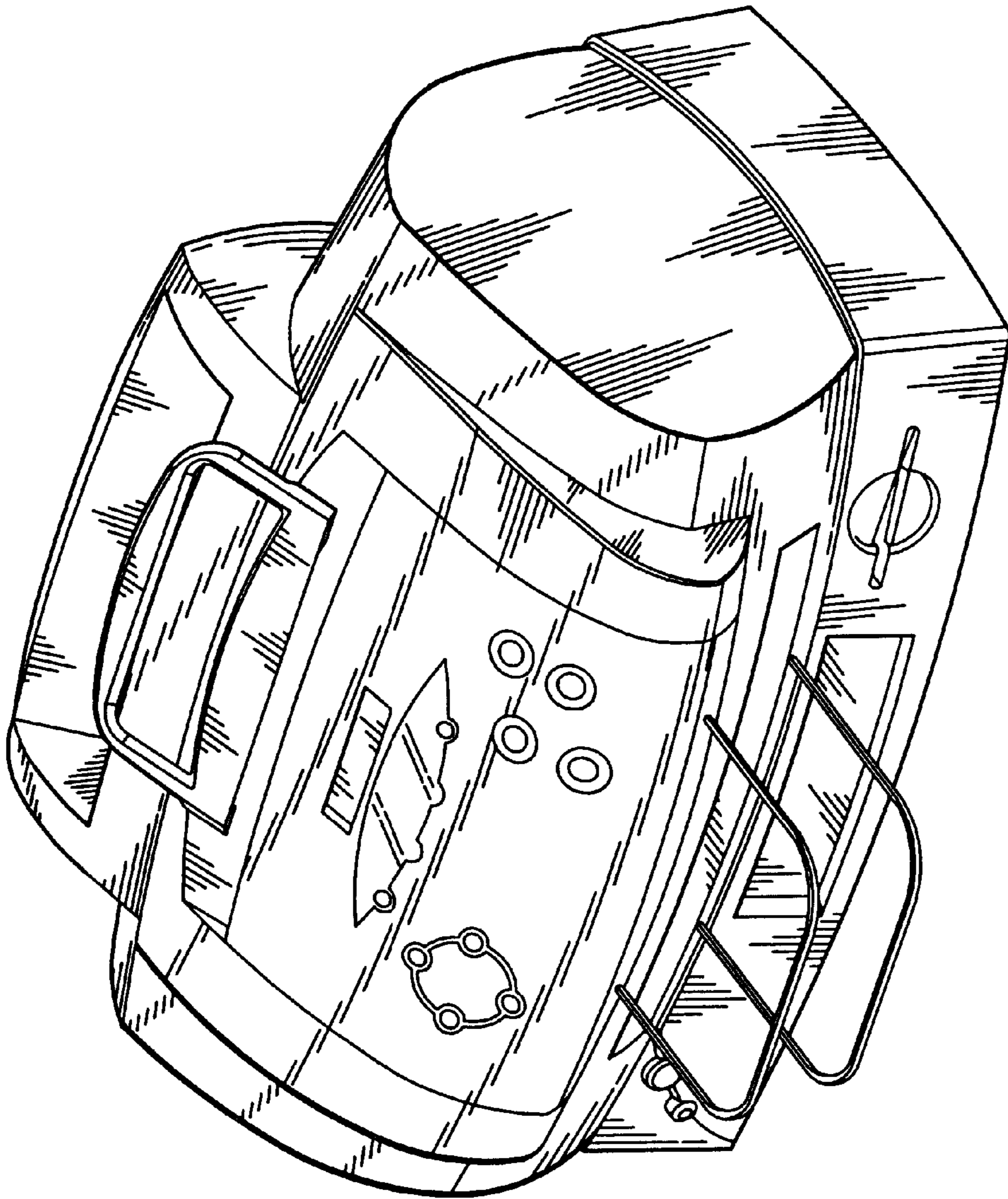


FIG. 1

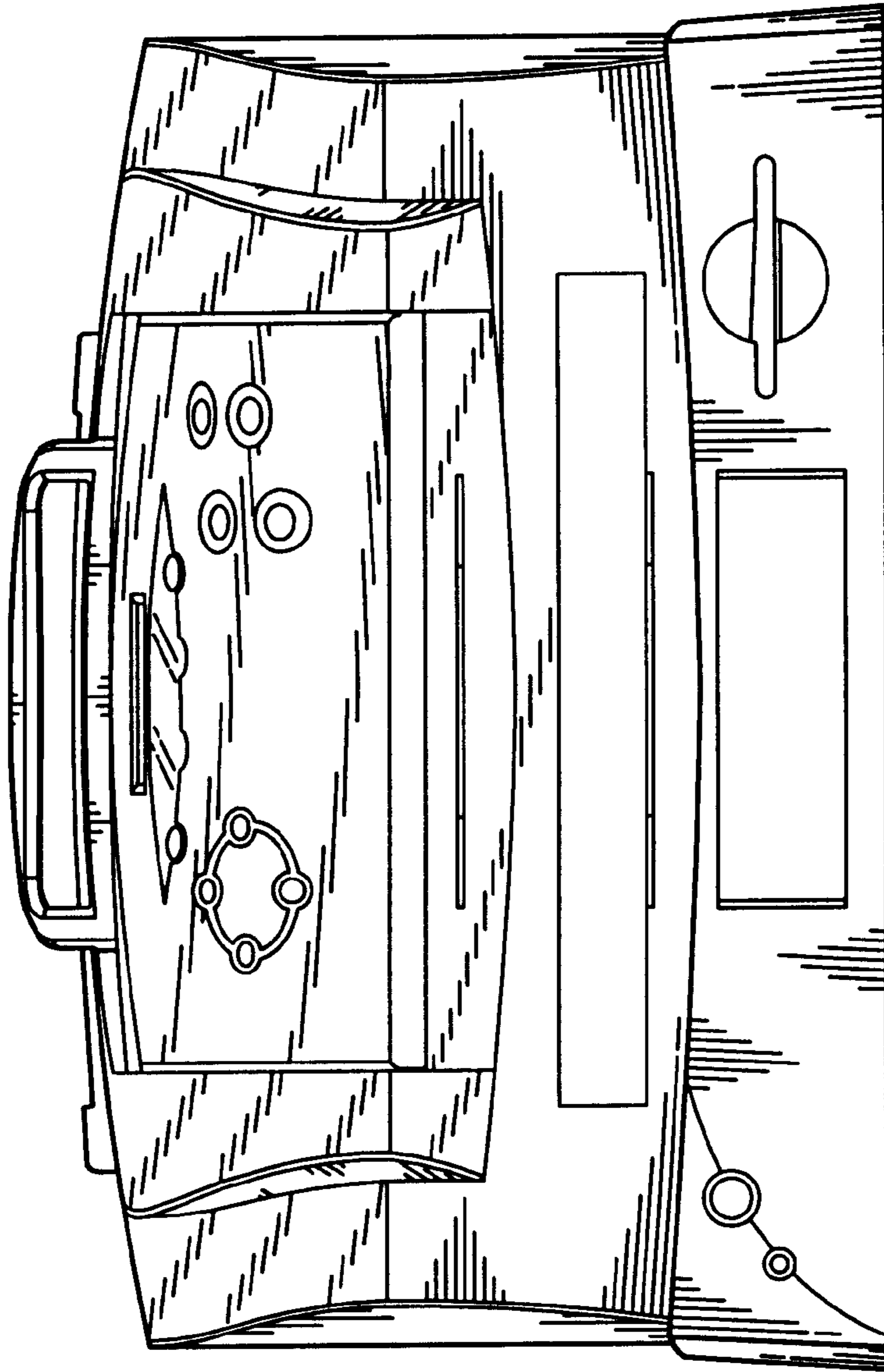


FIG. 2

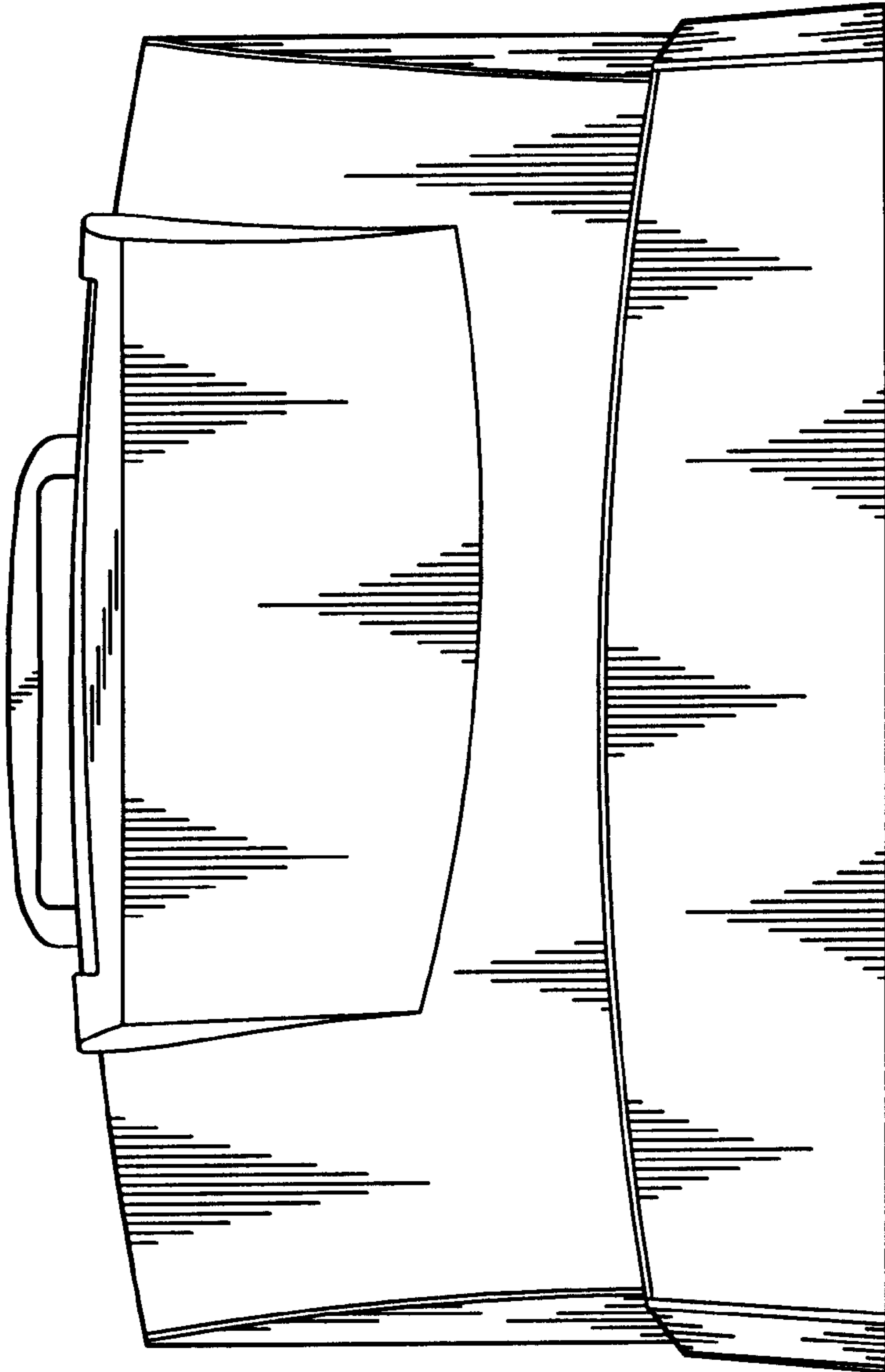


FIG. 3

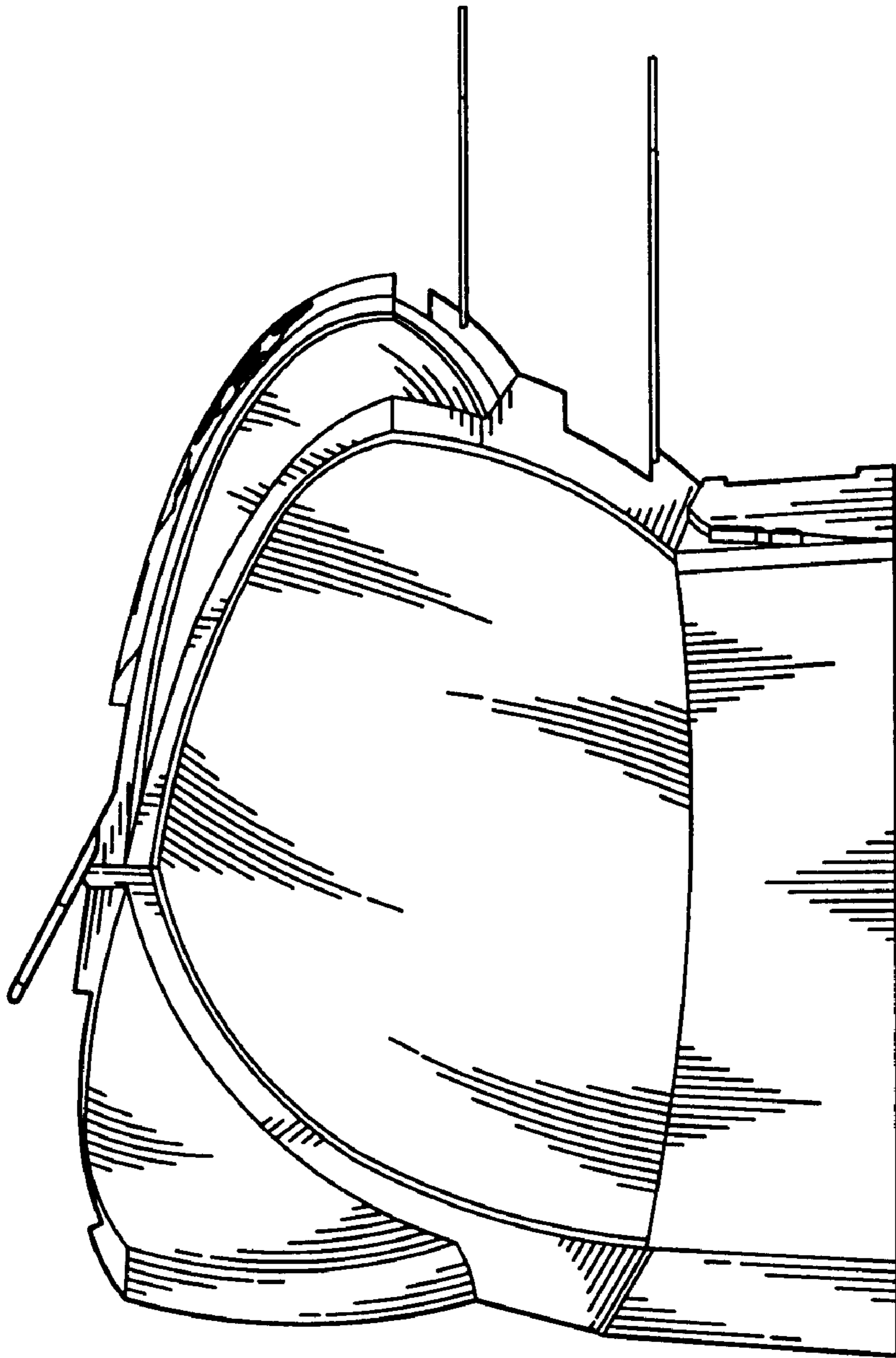


FIG. 4

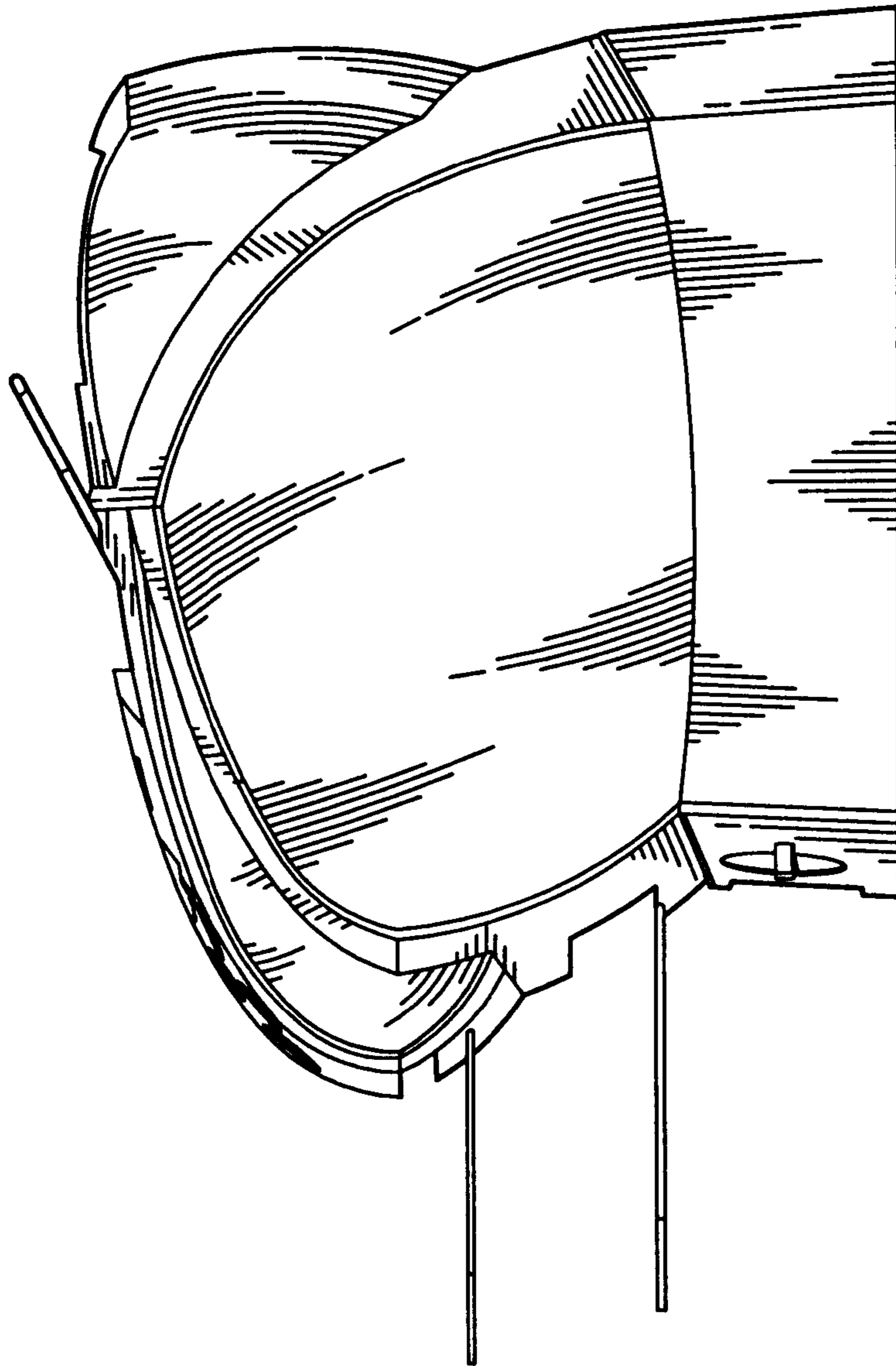


FIG. 5

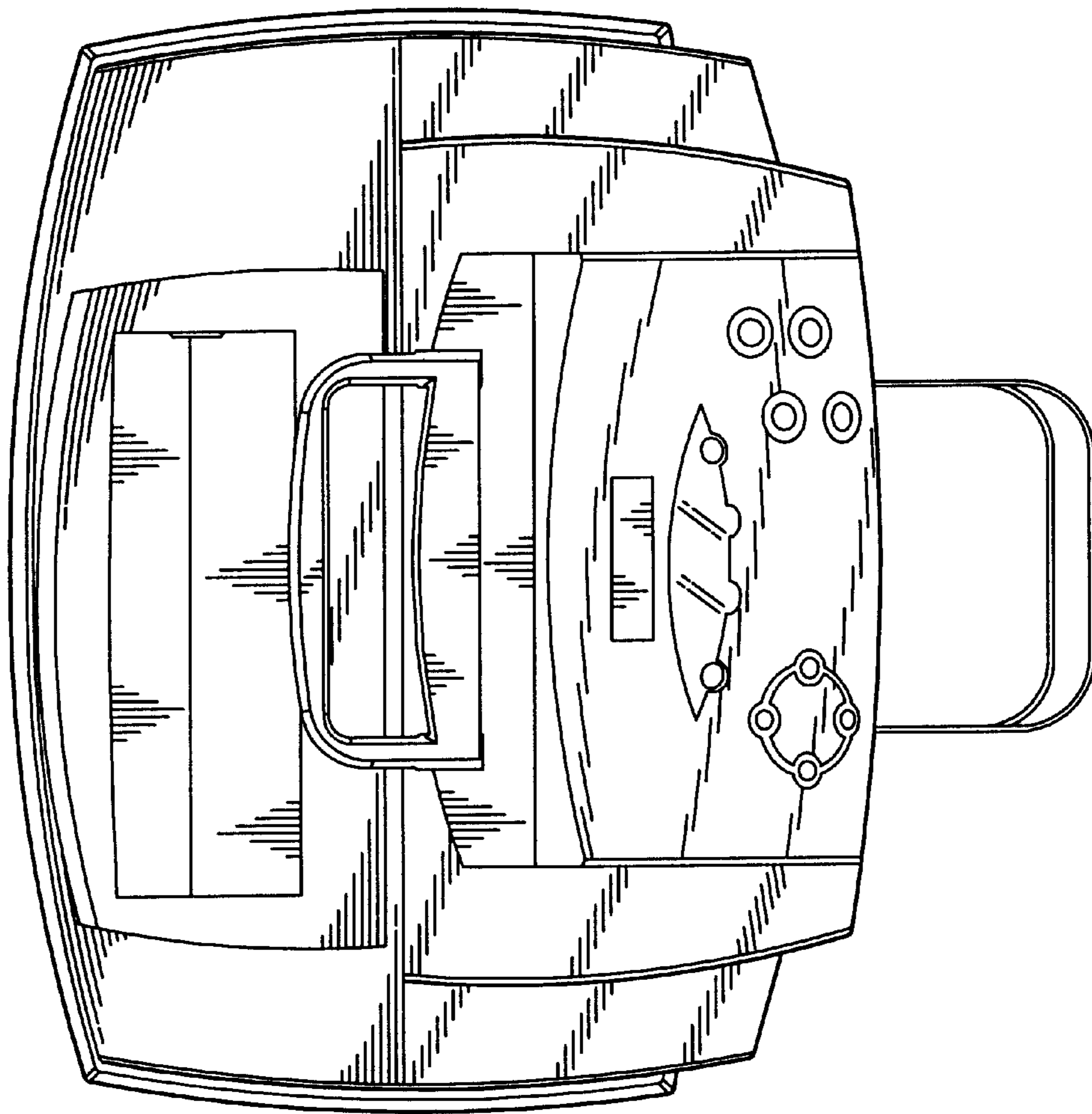


FIG. 6

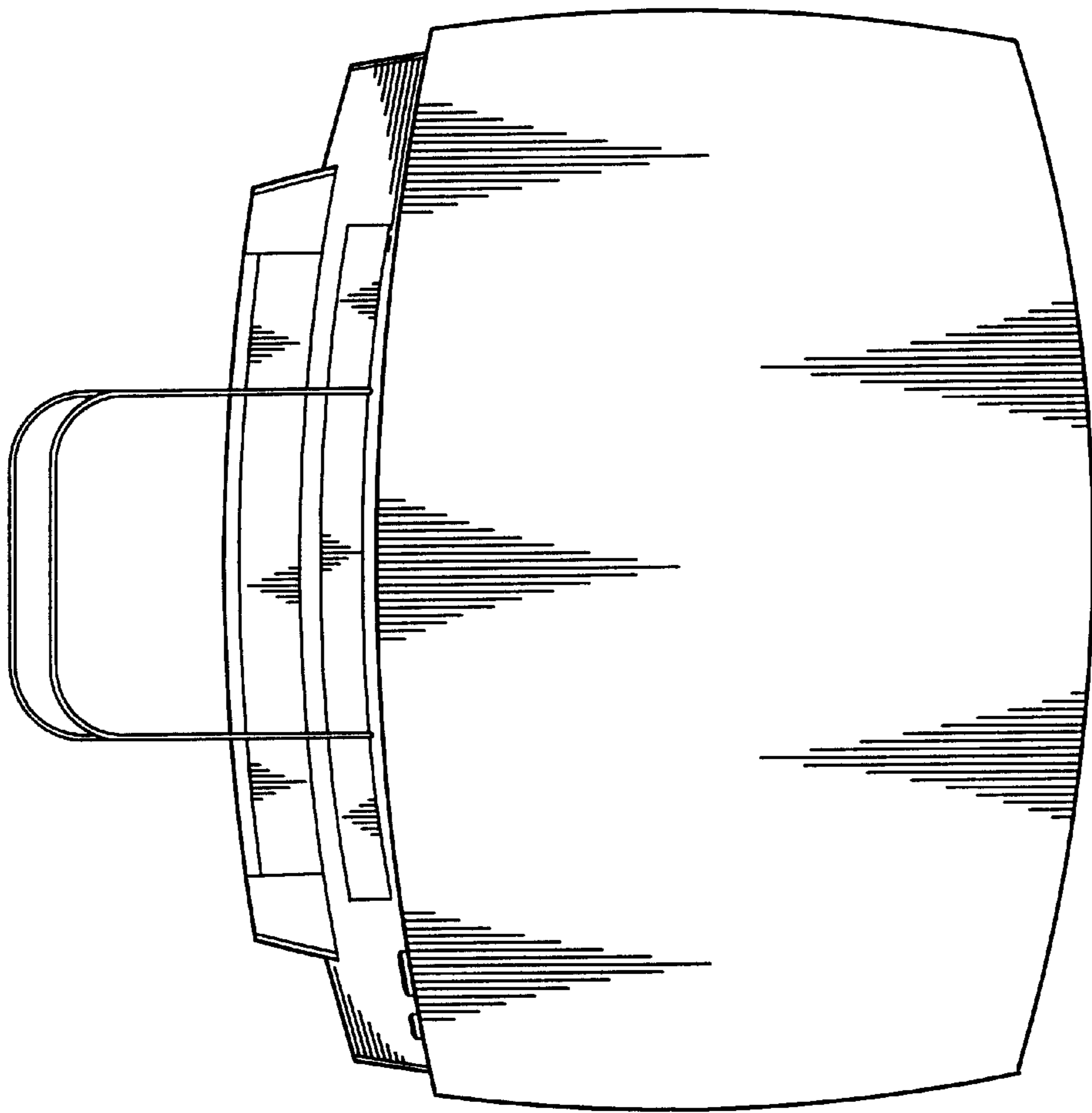


FIG. 7