



US00D448378B1

(12) **United States Design Patent**
Arnold et al.

(10) **Patent No.:** **US D448,378 S**

(45) **Date of Patent:** **** Sep. 25, 2001**

(54) **UNIVERSAL KEYBOARD**

(75) Inventors: **Kathleen Elaine Arnold**, York; **Gilbert S. Geiger**, Lancaster, both of PA (US)

(73) Assignee: **U.S. Philips Corporation**, New York, NY (US)

(**) Term: **14 Years**

(21) Appl. No.: **29/131,163**

(22) Filed: **Oct. 16, 2000**

(51) **LOC (7) Cl.** **14-02**

(52) **U.S. Cl.** **D14/396**

(58) **Field of Search** D14/391-393,
D14/396, 397, 399, 400, 217; D18/1, 2,
7; 178/17 A, 17 C; 200/5 A, 5 R, 6 A,
6 R; 235/145 A, 145 R; 345/168, 161;
341/22, 23; 400/484-486, 488, 489

(56) **References Cited**

U.S. PATENT DOCUMENTS

D. 341,833 * 11/1993 MacKay et al. D14/217

D. 385,854 * 11/1997 Sumii D14/399
D. 411,530 * 6/1999 Carter et al. D14/400
6,002,388 * 12/1999 Seffernick et al. 345/161

* cited by examiner

Primary Examiner—Freda Nunn

(57) **CLAIM**

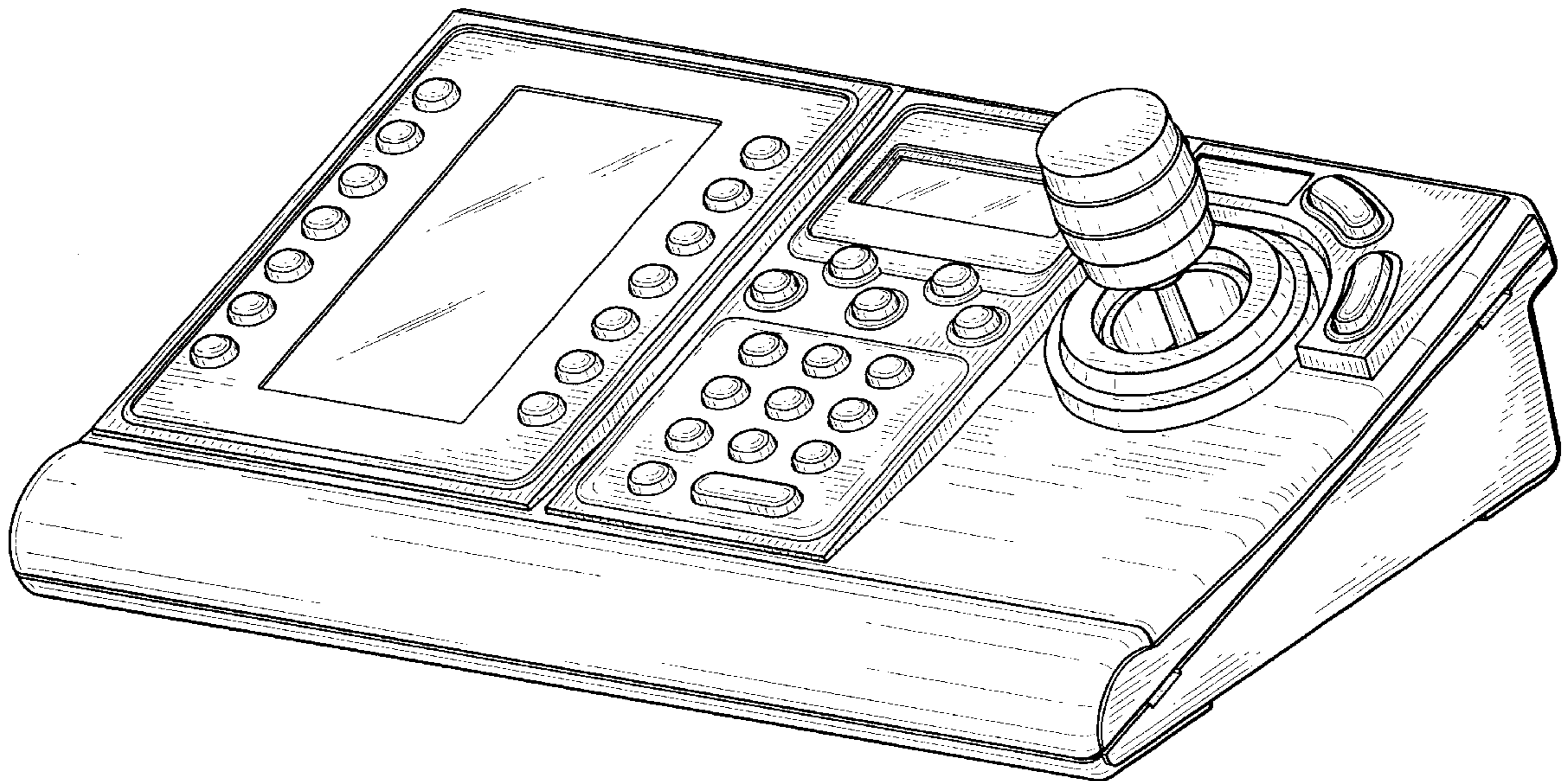
The ornamental design for an universal keyboard, as shown and described.

DESCRIPTION

FIG. 1 is a perspective view showing my design;
FIG. 2 is a front elevational view thereof;
FIG. 3 is a rear elevational view thereof;
FIG. 4 is a left side elevational view thereof;
FIG. 5 is a right side elevational view thereof;
FIG. 6 is a top plan view thereof;
FIG. 7 is a bottom plan view thereof.

The broken lines are shown in the views for illustrative purposes only and form no part of the claimed design.

1 Claim, 7 Drawing Sheets



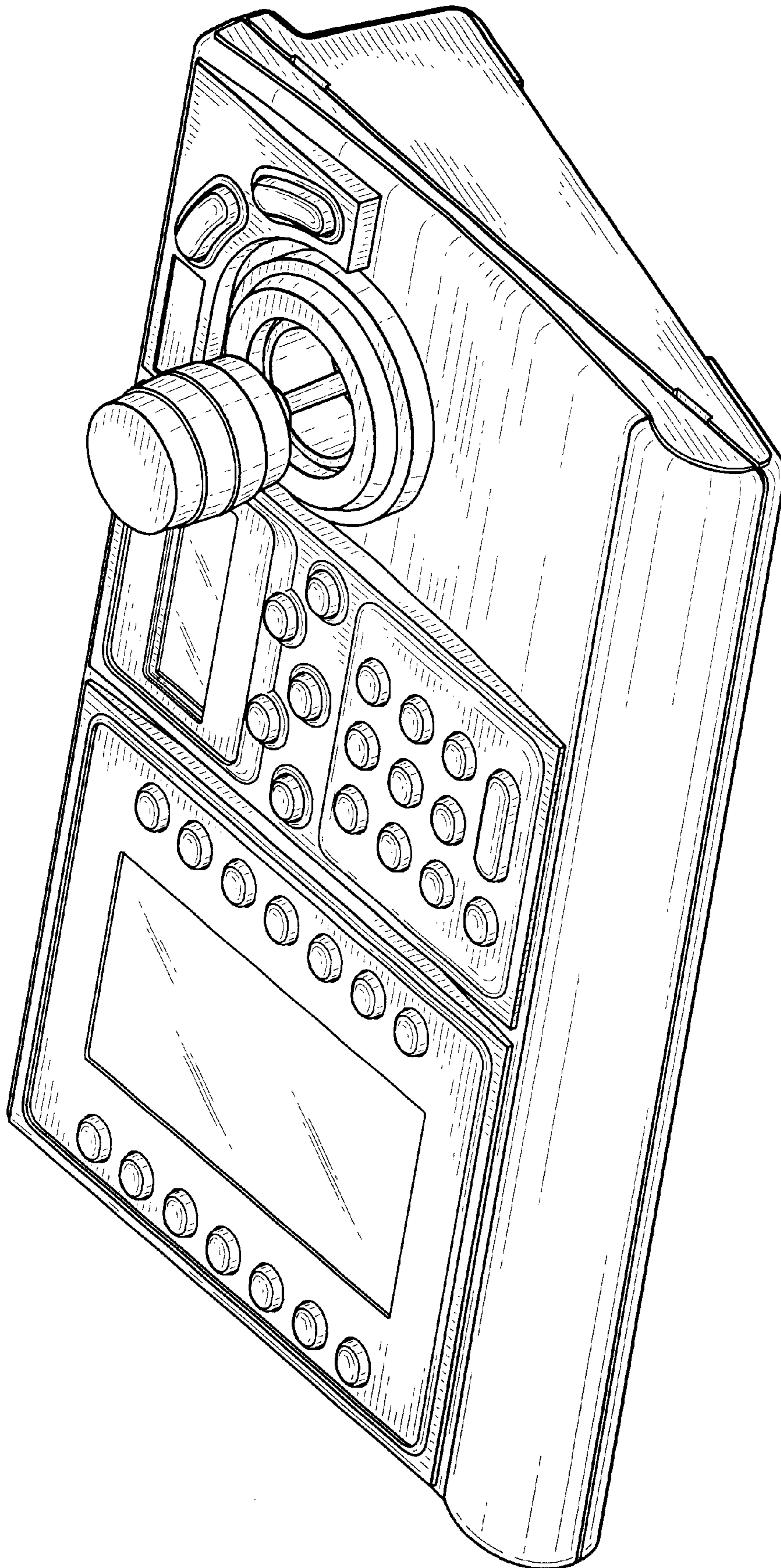


FIG. 1

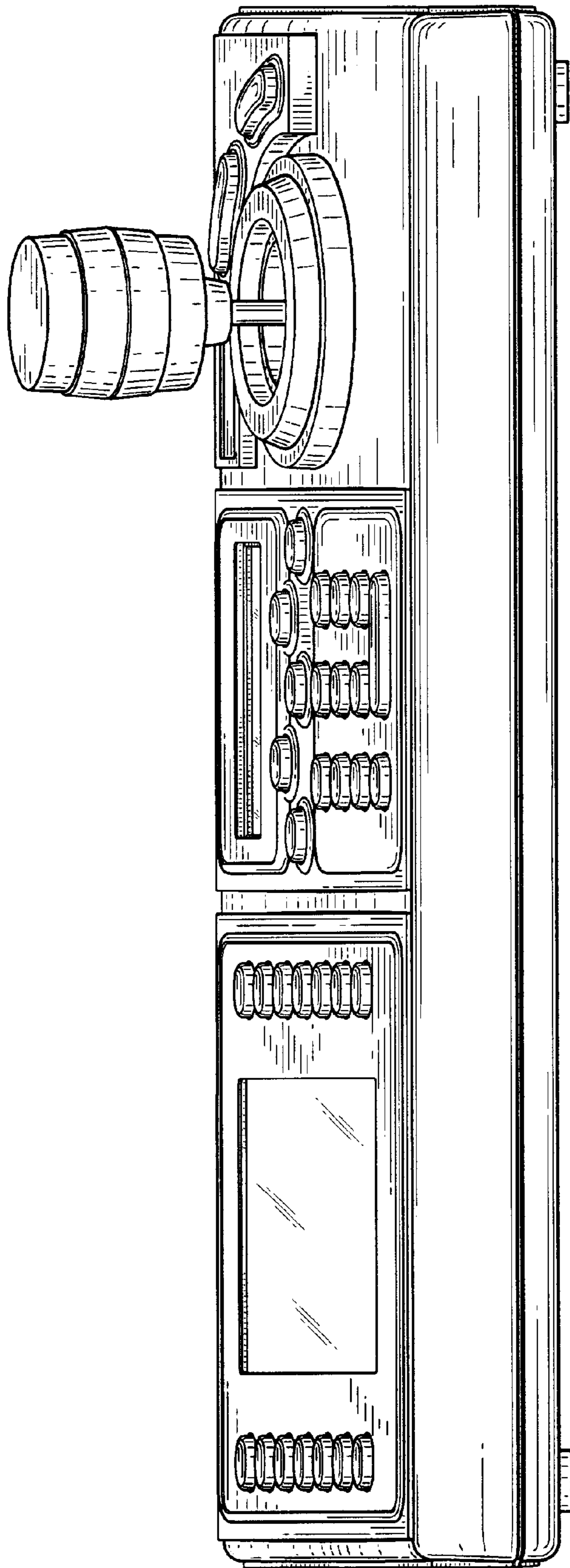


FIG. 2

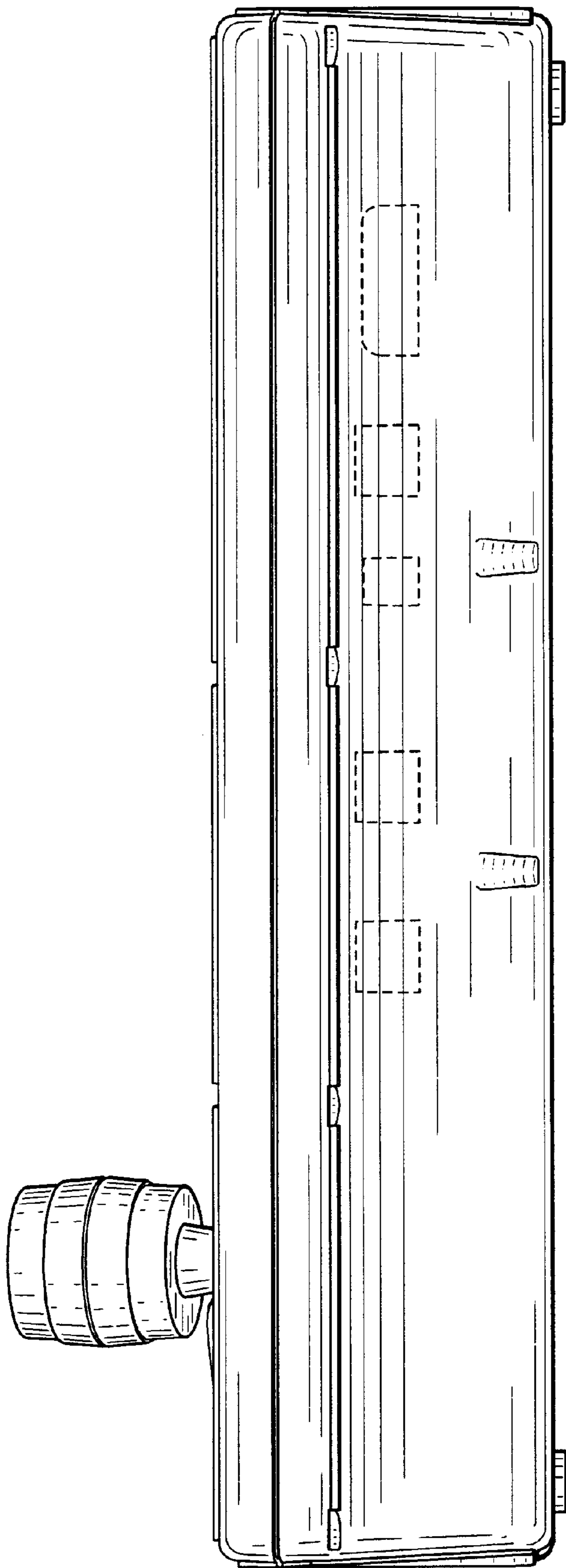


FIG. 3

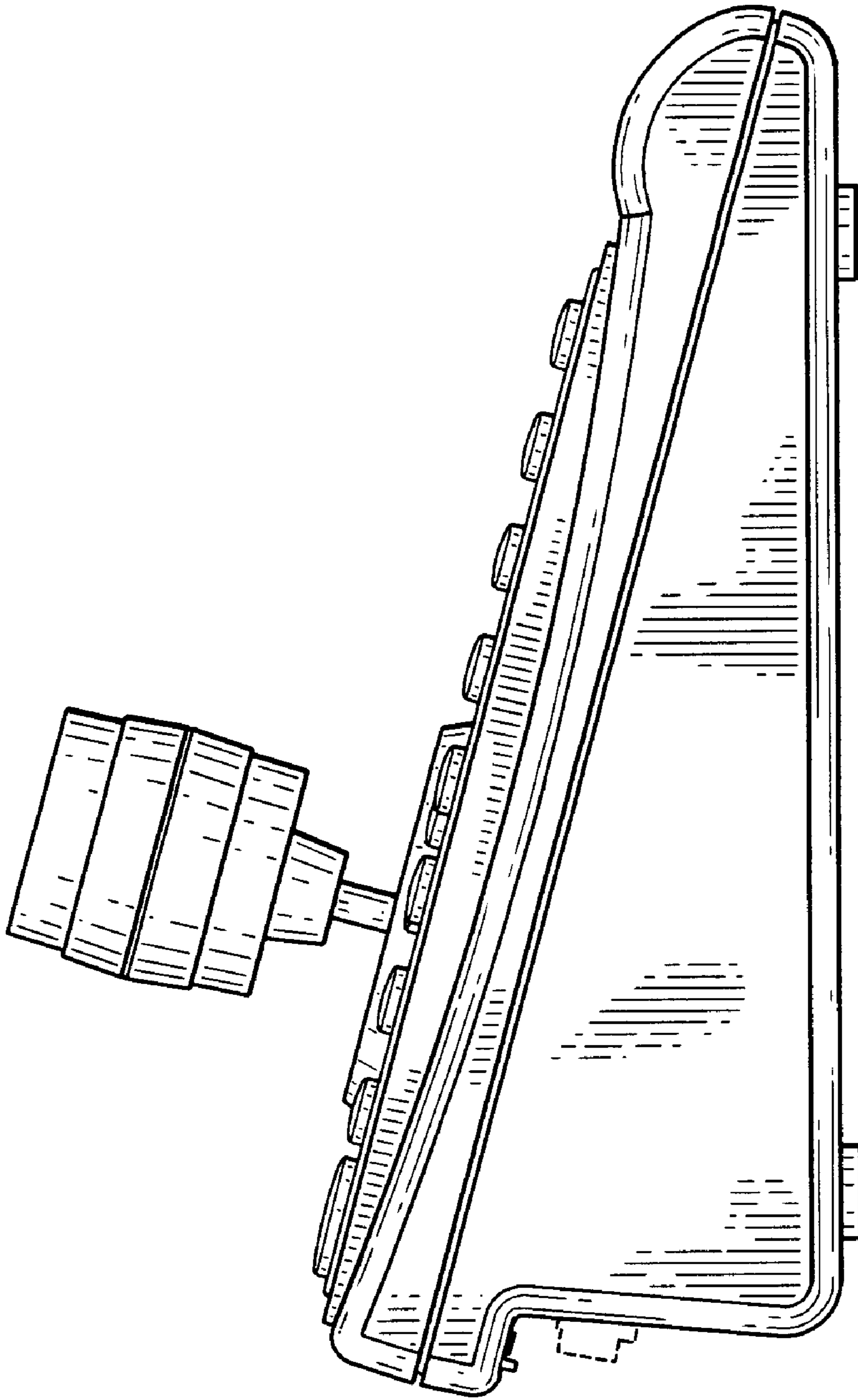


FIG. 4

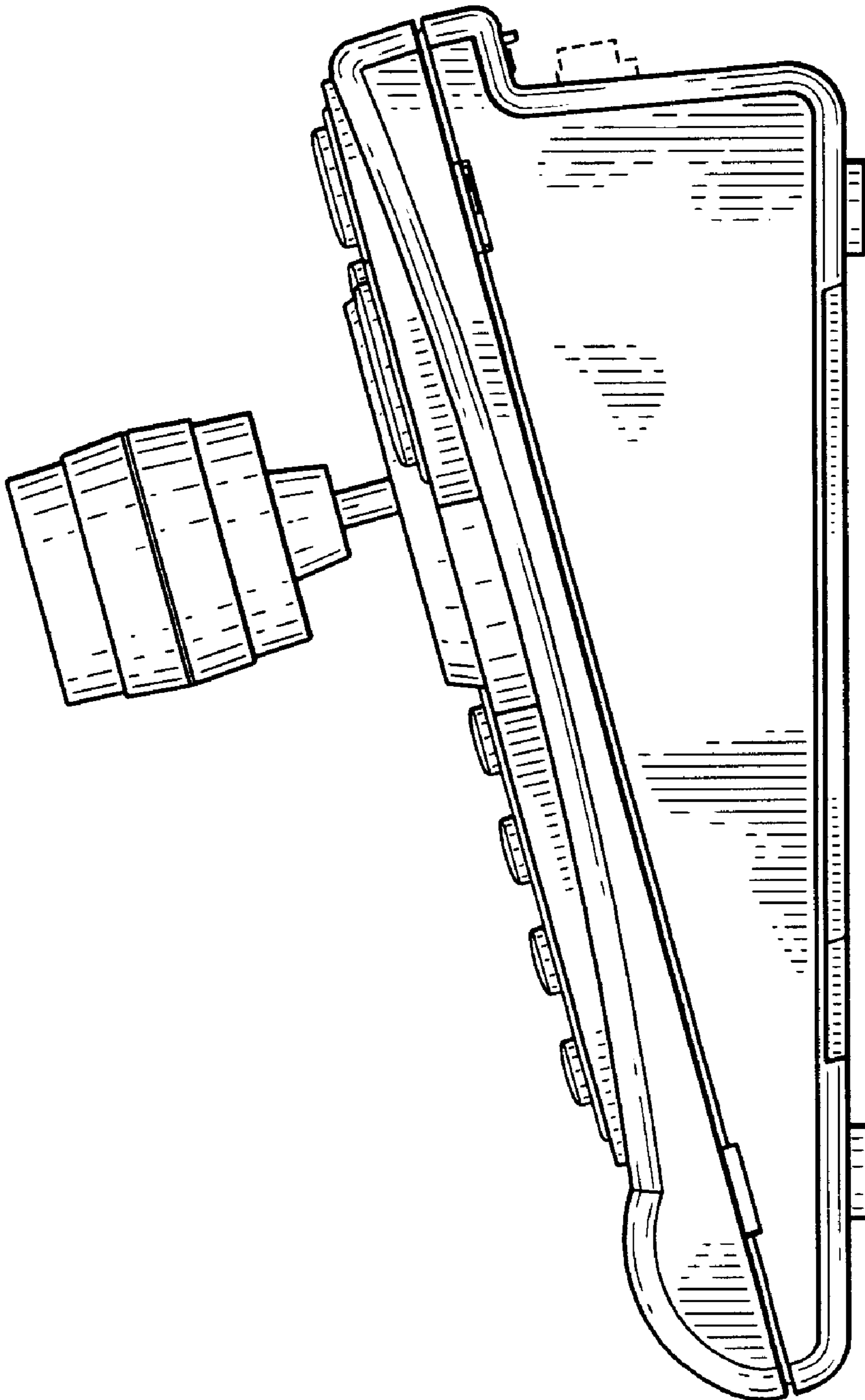


FIG. 5

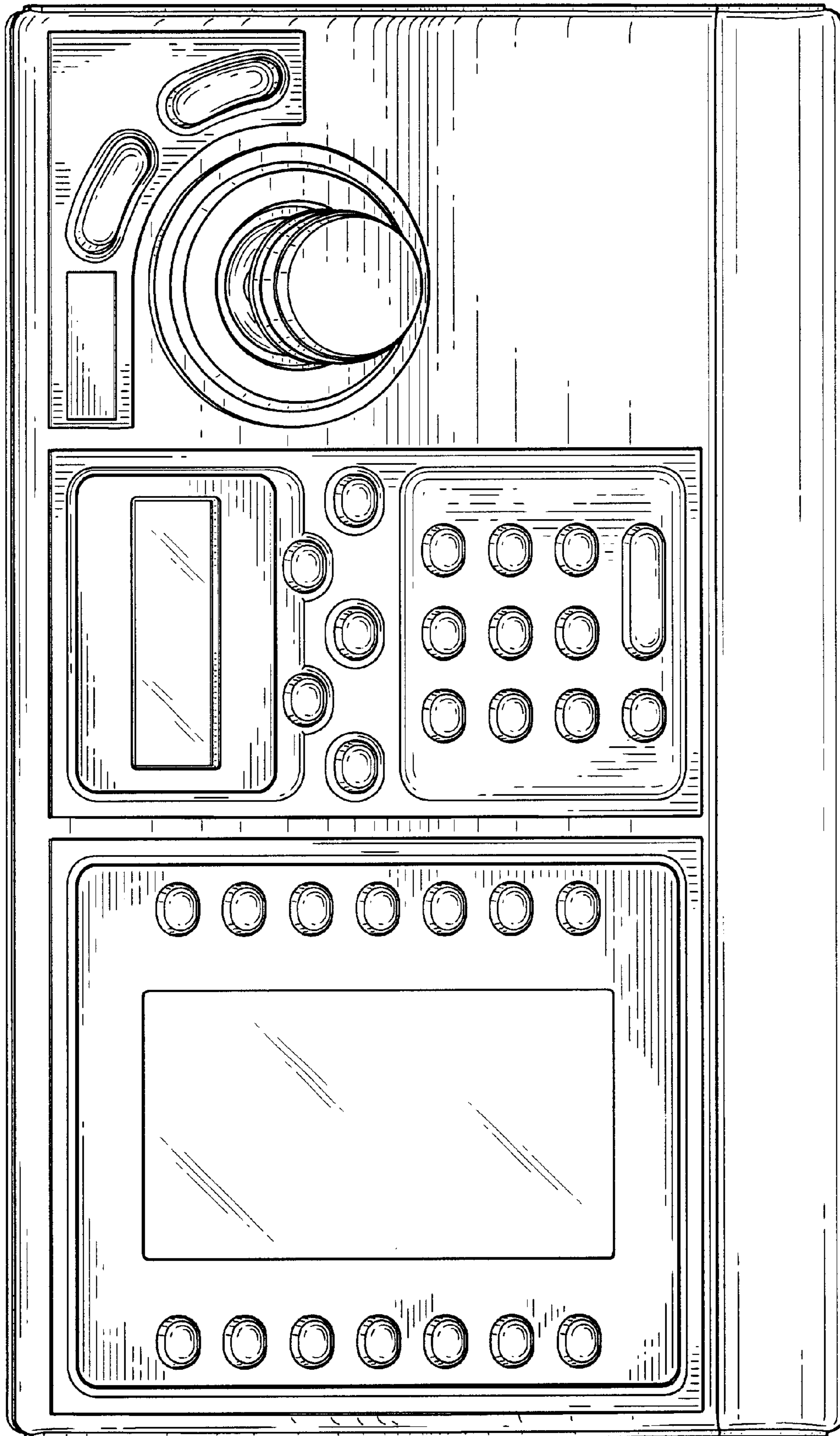


FIG. 6

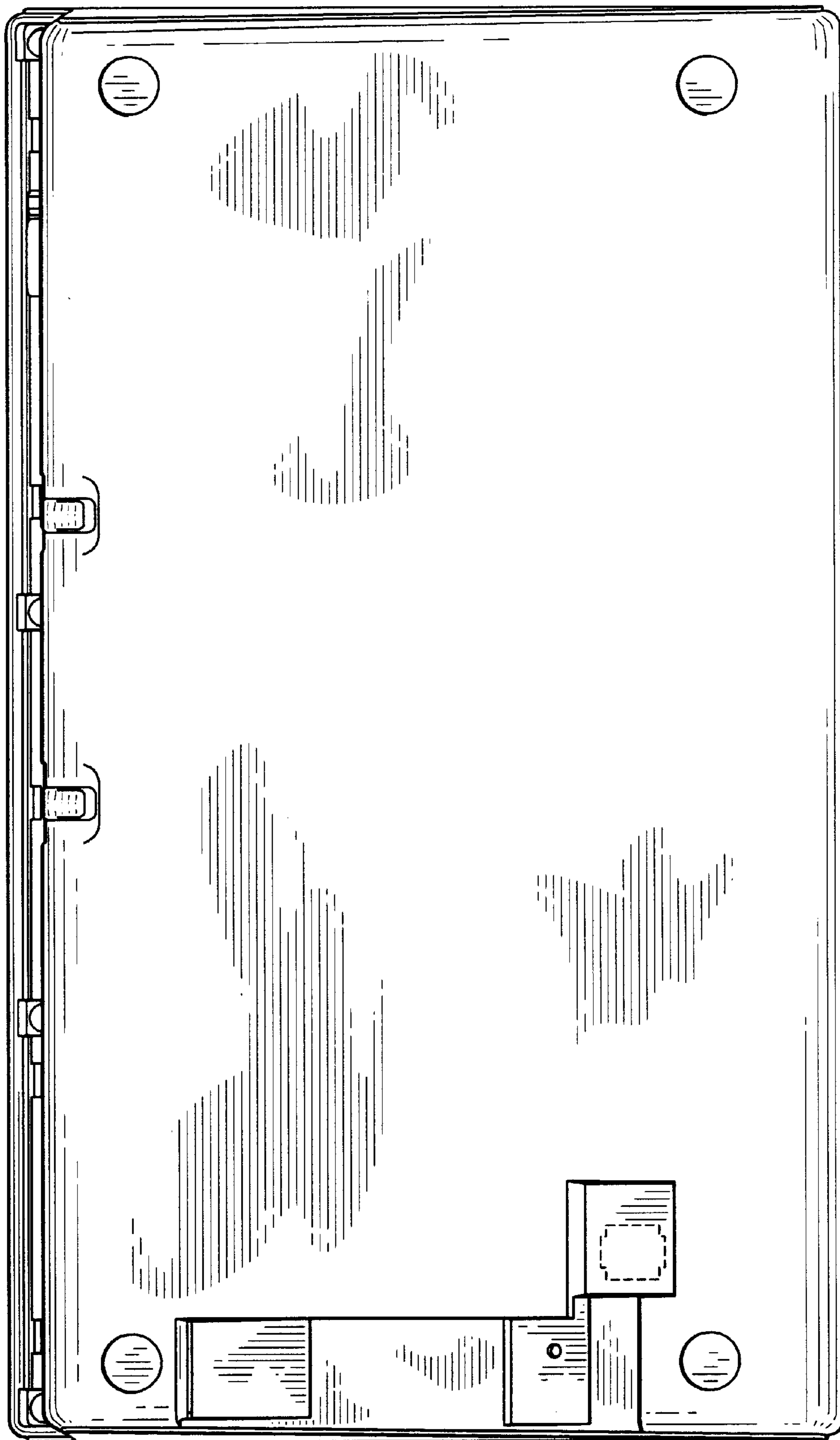


FIG. 7