



US00D448376B1

(12) **United States Design Patent**
Lee

(10) **Patent No.:** **US D448,376 S**

(45) **Date of Patent:** **** Sep. 25, 2001**

(54) **MONITOR**

(75) Inventor: **Dong Hun Lee**, Seoul (KR)

(73) Assignee: **LG Electronics, Inc.**, Seoul (KR)

(**) Term: **14 Years**

(21) Appl. No.: **29/125,386**

(22) Filed: **Jun. 22, 2000**

(30) **Foreign Application Priority Data**

Dec. 22, 1999 (KR) 99-31027

(51) **LOC (7) Cl.** **14-02**

(52) **U.S. Cl.** **D14/374**

(58) **Field of Search** D14/371, 374,
D14/375, 379, 125-129; 345/104, 133,
156, 168, 173; 348/180, 184; 248/917-924;
349/1, 2, 11, 62

(56) **References Cited**

U.S. PATENT DOCUMENTS

D. 356,548 * 3/1995 Bottcher et al. D14/341

D. 363,468 * 10/1995 Mieki et al. D14/342

D. 382,259 * 8/1997 Nagai et al. D14/374

D. 403,309 * 12/1998 Takemasa et al. D14/374

* cited by examiner

Primary Examiner—Freda Nunn

(74) *Attorney, Agent, or Firm*—Birch, Stewart, Kolasch & Birch, LLP

(57) **CLAIM**

The ornamental design for a monitor, as shown and described.

DESCRIPTION

FIG. 1 is a perspective view of a monitor showing my new design;

FIG. 2 is a front elevational view;

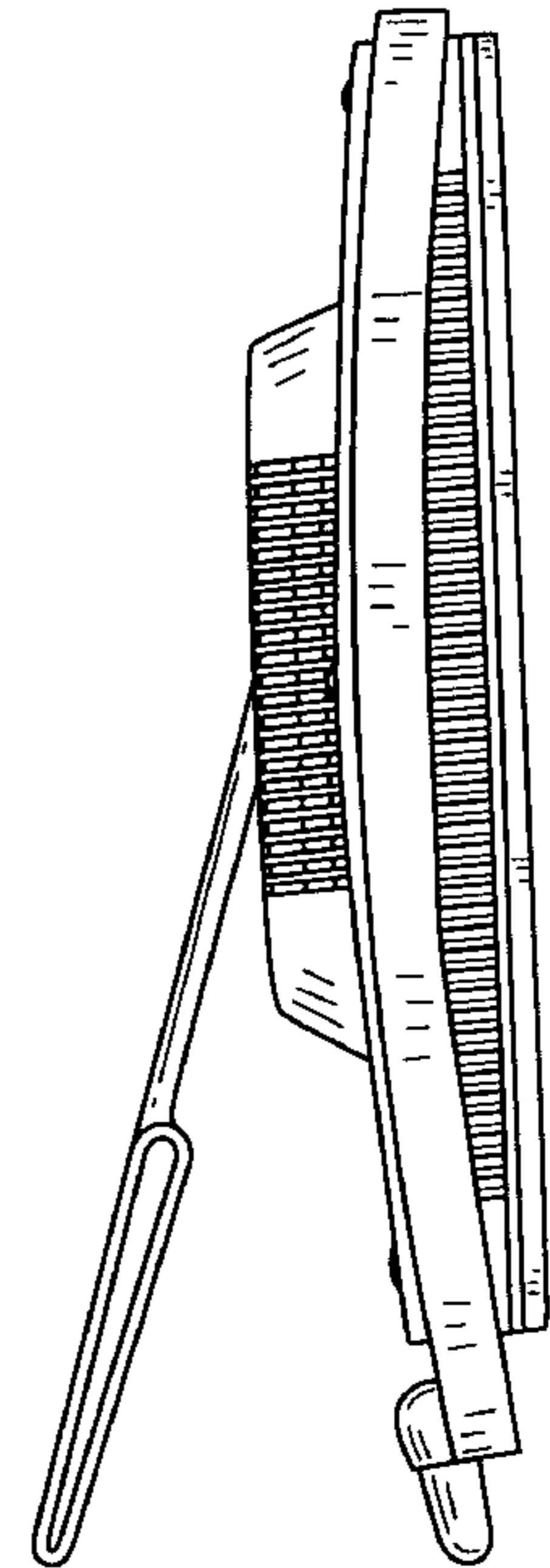
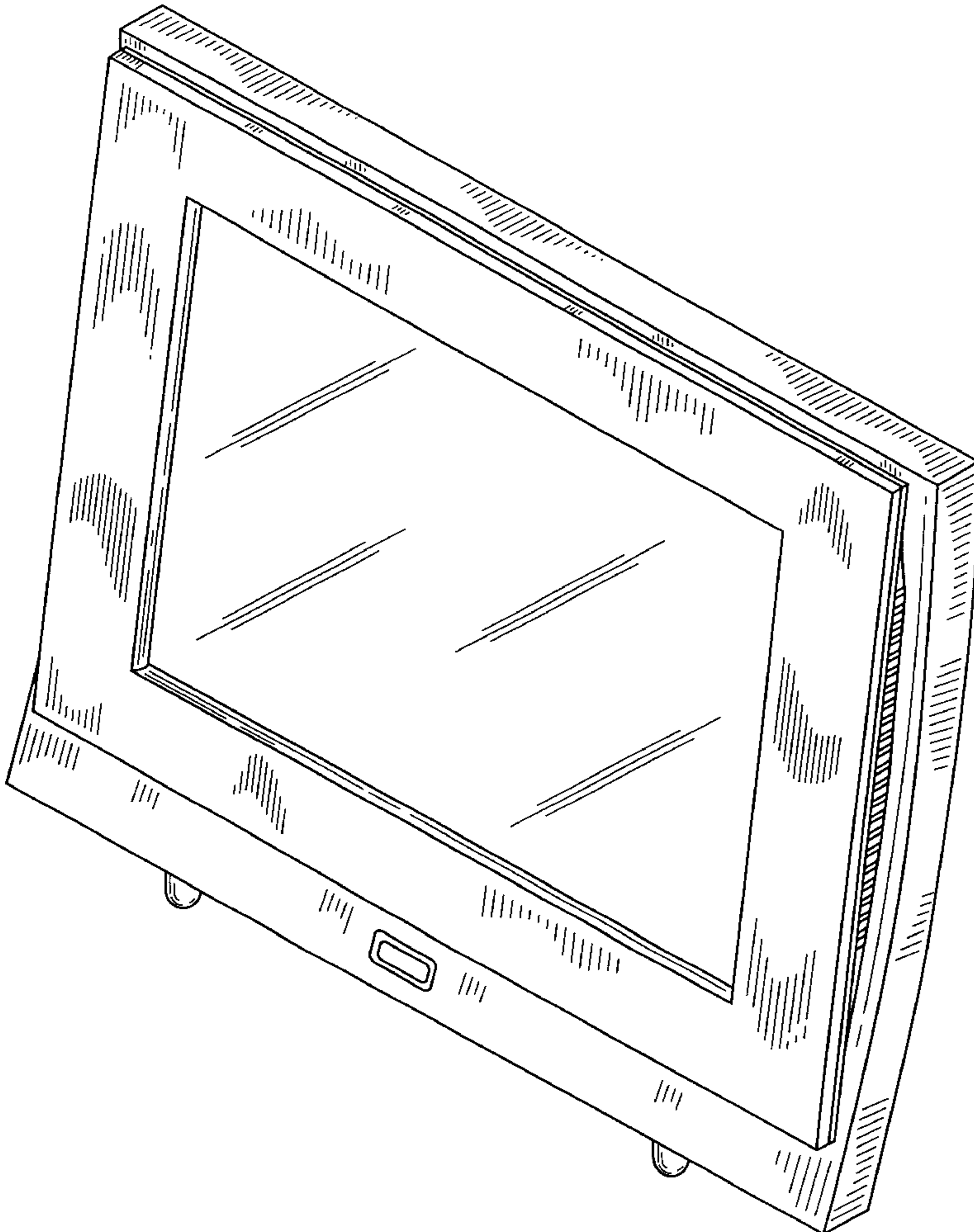
FIG. 3 is a left side elevational view, the right side elevational view being a mirror image thereof;

FIG. 4 is a rear elevational view;

FIG. 5 is a top plan view; and,

FIG. 6 is a bottom plan view.

1 Claim, 5 Drawing Sheets



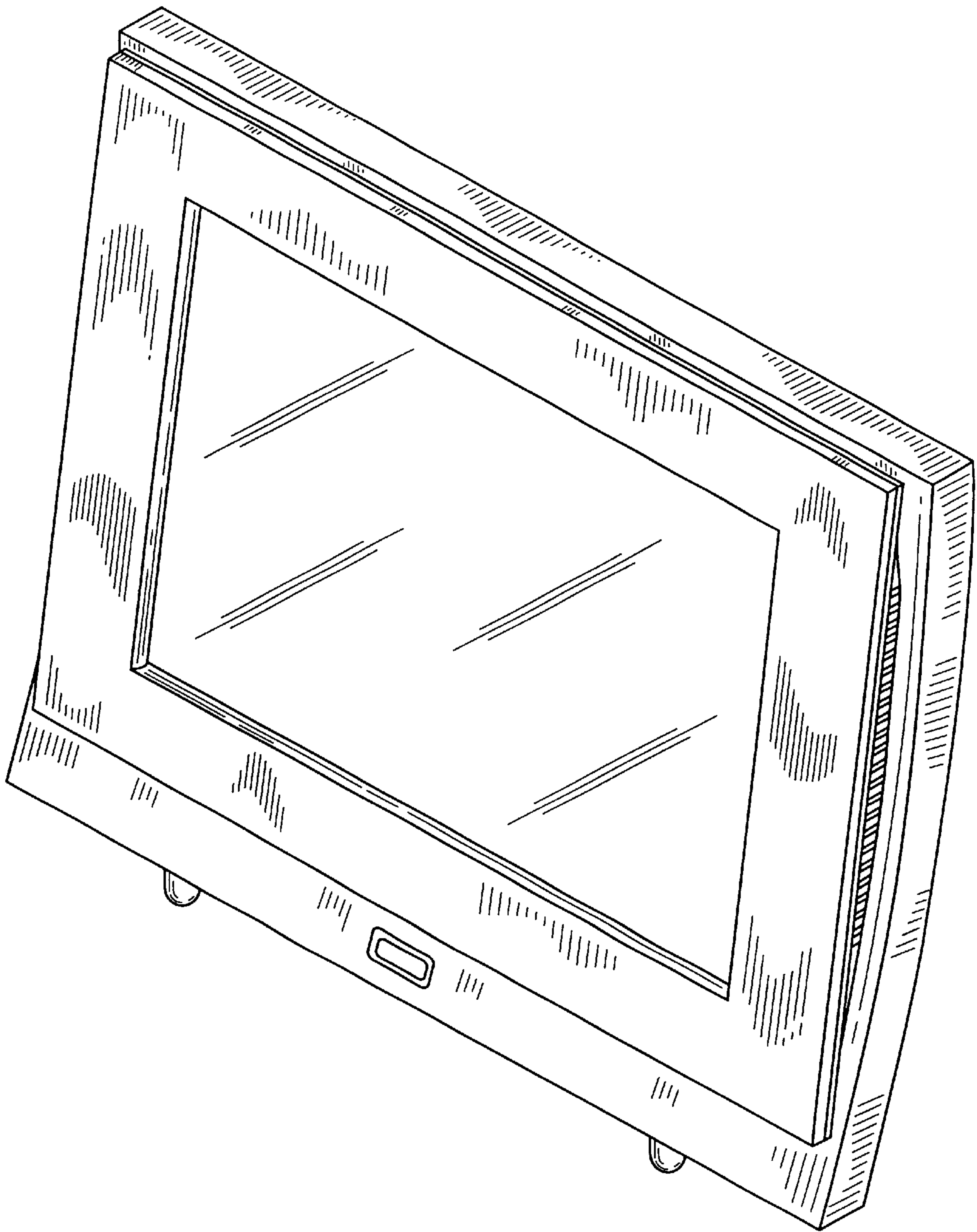


FIG. 1

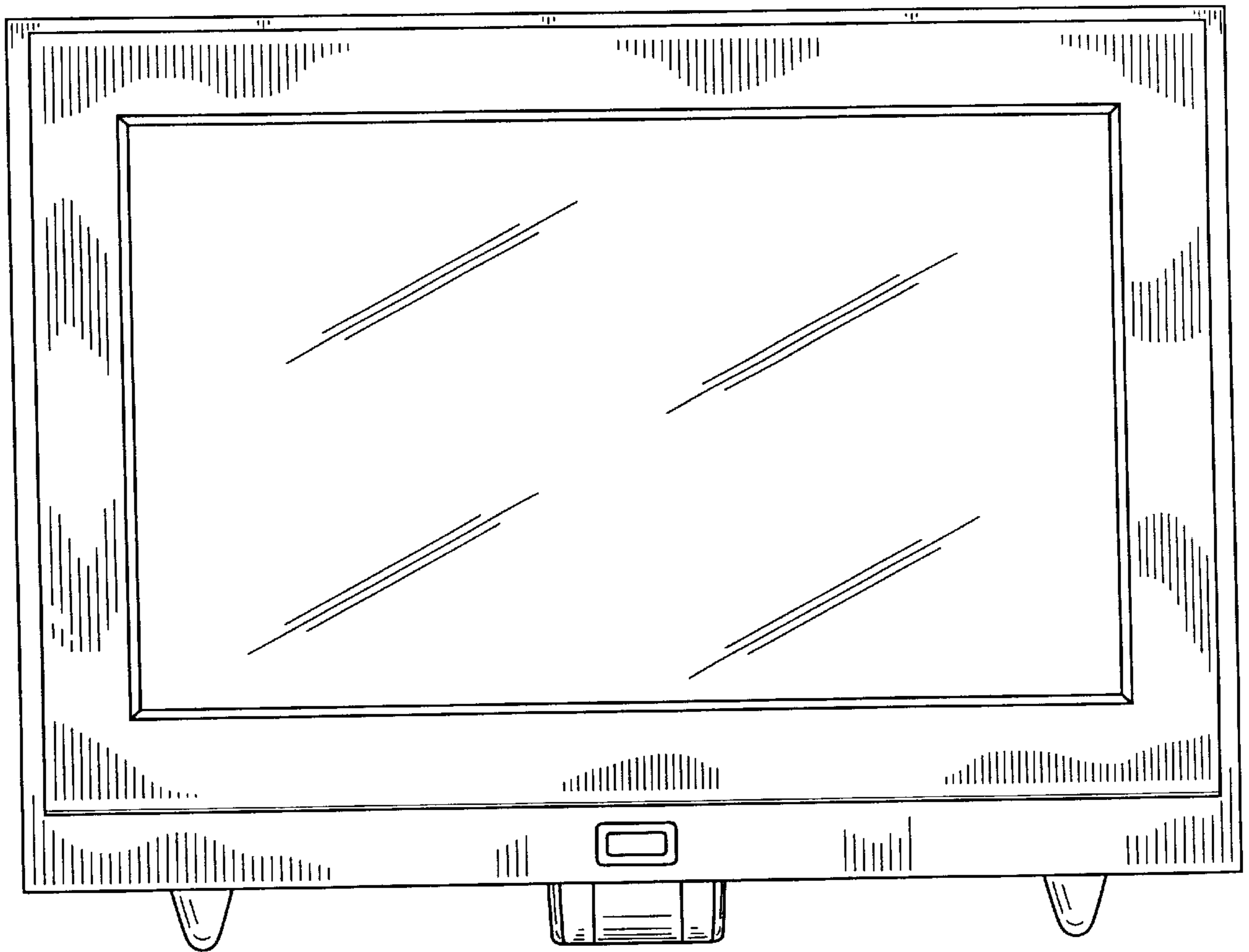


FIG. 2

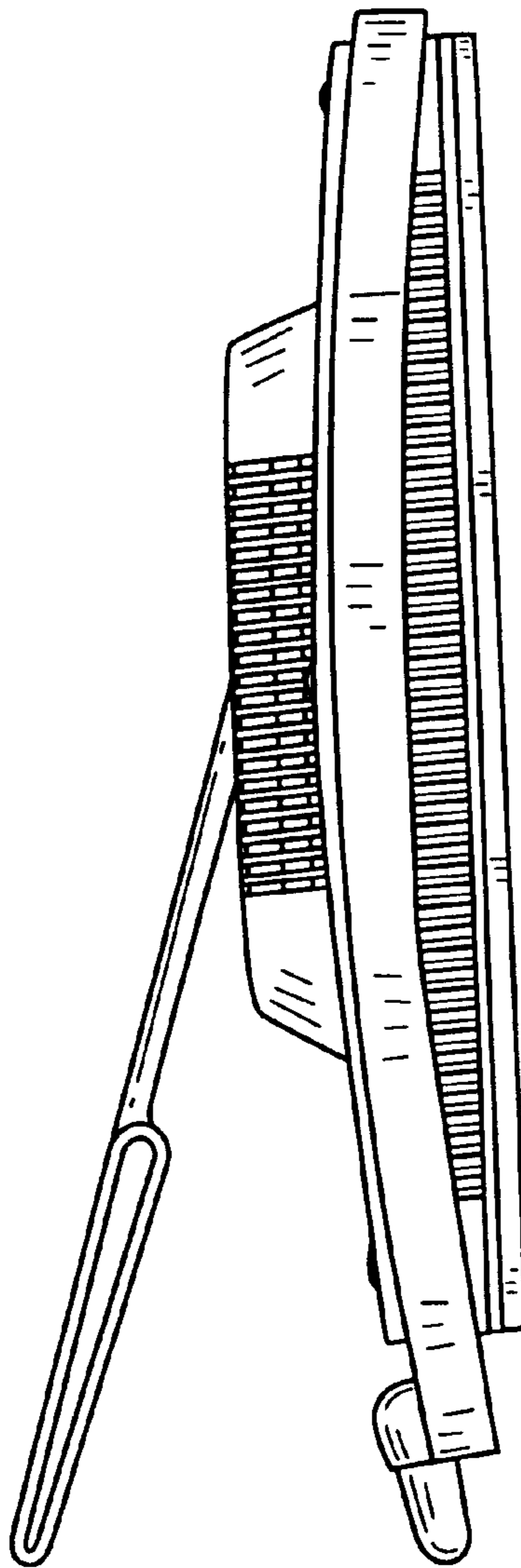


FIG. 3

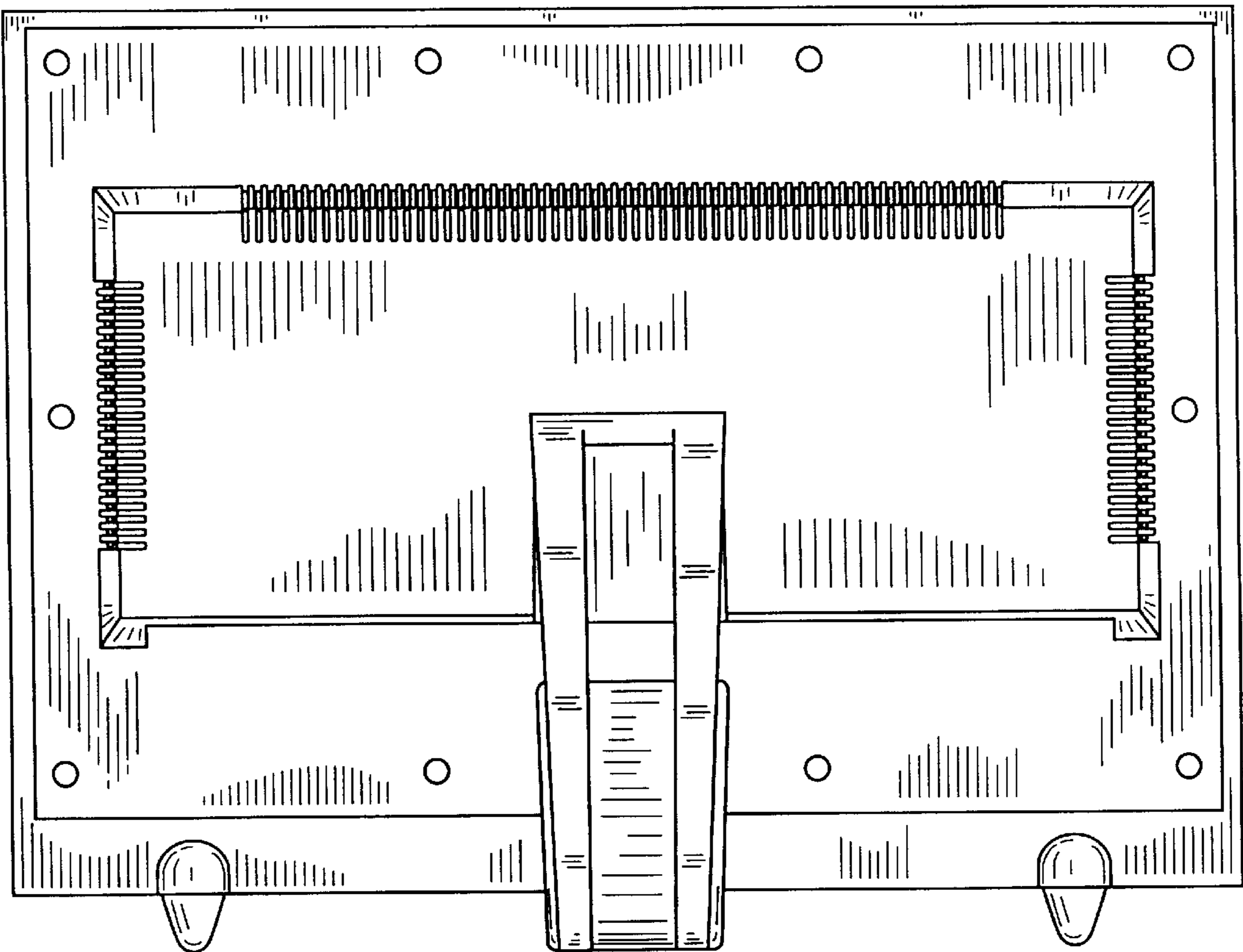


FIG. 4

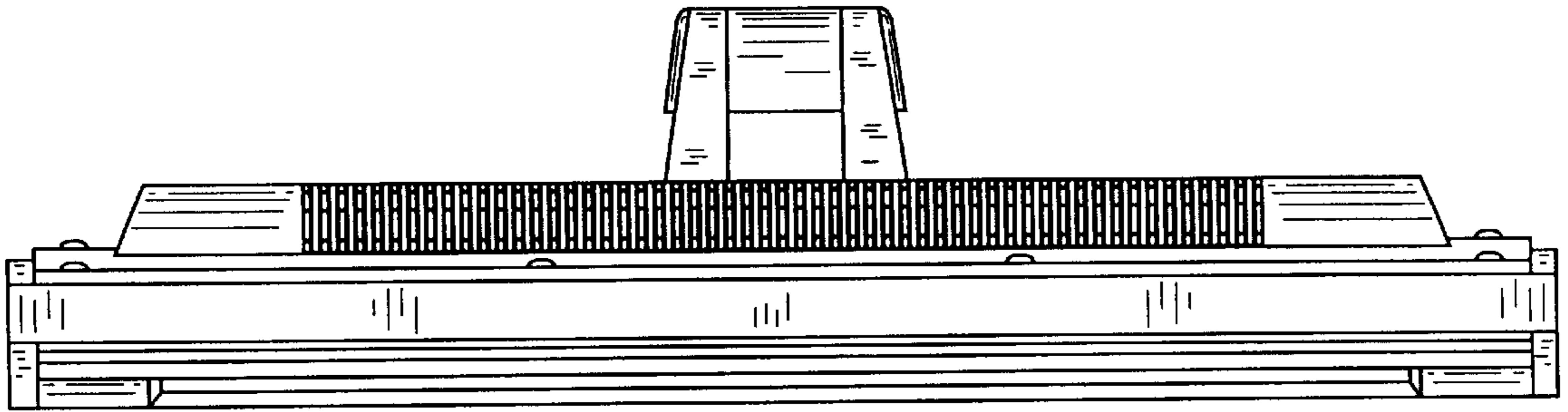


FIG. 5

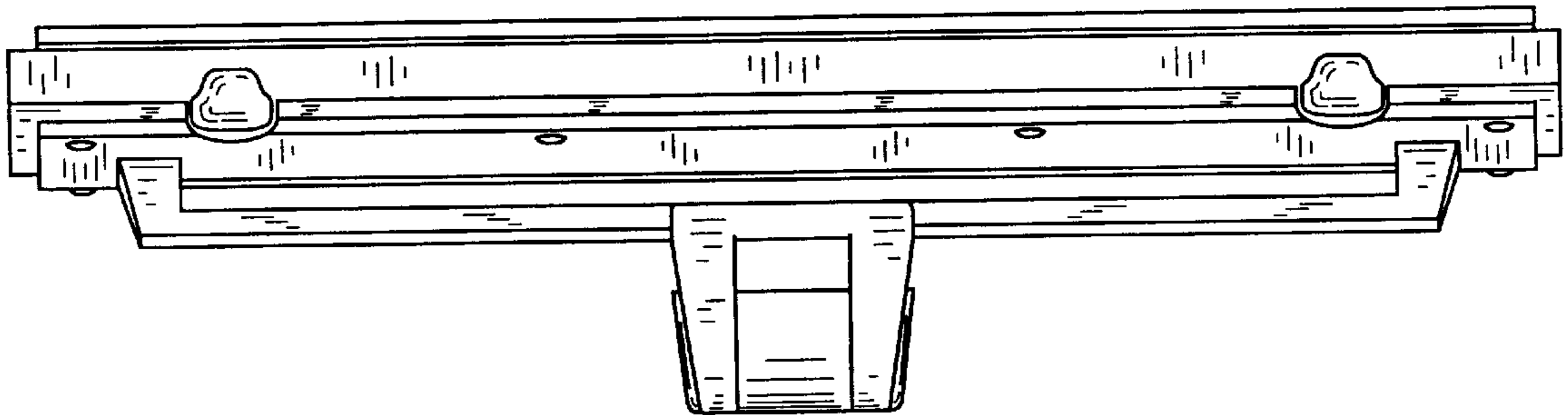


FIG. 6