



US00D448375B1

(12) **United States Design Patent**
Walters et al.

(10) **Patent No.:** **US D448,375 S**

(45) **Date of Patent:** **** Sep. 25, 2001**

(54) **DISK DRIVE DOCK**

(75) Inventors: **Darren Walters**, Ogden; **Ward Rich**, Liberty; **Todd L. Graves**, Garland, all of UT (US)

(73) Assignee: **Iomega Corporation**, Roy, UT (US)

(**) Term: **14 Years**

(21) Appl. No.: **29/123,069**

(22) Filed: **May 10, 2000**

(51) **LOC (7) Cl.** **14-02**

(52) **U.S. Cl.** **D14/368**

(58) **Field of Search** D14/348, 353, D14/355, 356, 361-363, 368, 434; D13/162, 184, 199; 312/223.1, 223.3; 360/99.12; 369/34, 36; 361/690-696

(56) **References Cited**

U.S. PATENT DOCUMENTS

- D. 346,593 * 5/1994 Mizusugi et al. D14/368
- D. 350,735 * 9/1994 Karlin et al. D14/426
- D. 358,138 * 5/1995 Koyanagi et al. D14/368
- D. 402,975 12/1998 Schick et al. .
- D. 404,377 1/1999 Wilson et al. .
- D. 405,438 2/1999 Schick et al. .
- D. 407,390 3/1999 Schick et al. .

- D. 408,385 4/1999 Schick et al. .
- D. 408,808 4/1999 Nowell et al. .
- D. 411,824 7/1999 Wilson et al. .
- D. 413,115 8/1999 Schick et al. .
- D. 414,977 10/1999 Hales et al. .
- D. 422,574 * 4/2000 Fujii et al. D14/368
- D. 426,241 6/2000 Schick et al. .

* cited by examiner

Primary Examiner—Freda Nunn

(74) *Attorney, Agent, or Firm*—Woodcock Washburn Kurtz Mackiewicz & Norris LLP

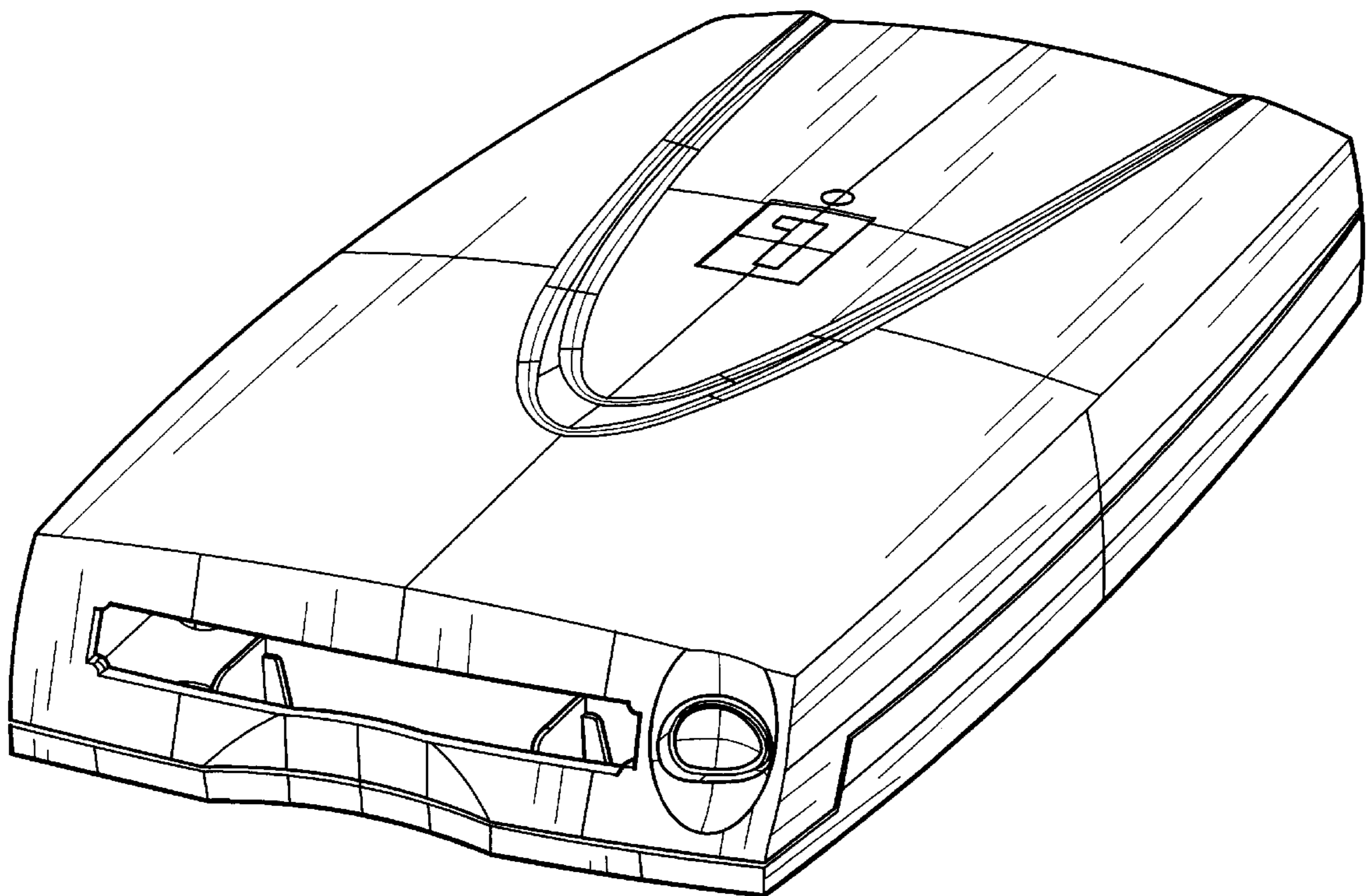
(57) **CLAIM**

The ornamental design for a disk drive dock, as shown and described.

DESCRIPTION

FIG. 1 is a top perspective view of a disk drive dock device depicting our new design;
 FIG. 2 is a rear perspective view of the embodiment shown in FIG. 1;
 FIG. 3 is a bottom perspective view of the embodiment shown in FIGS. 1 and 2; and,
 FIG. 4 is a top perspective view similar to FIG. 4 with a cartridge in place.
 Any broken lines in the drawings depict probable environment only and form no part of the claimed design.

1 Claim, 4 Drawing Sheets



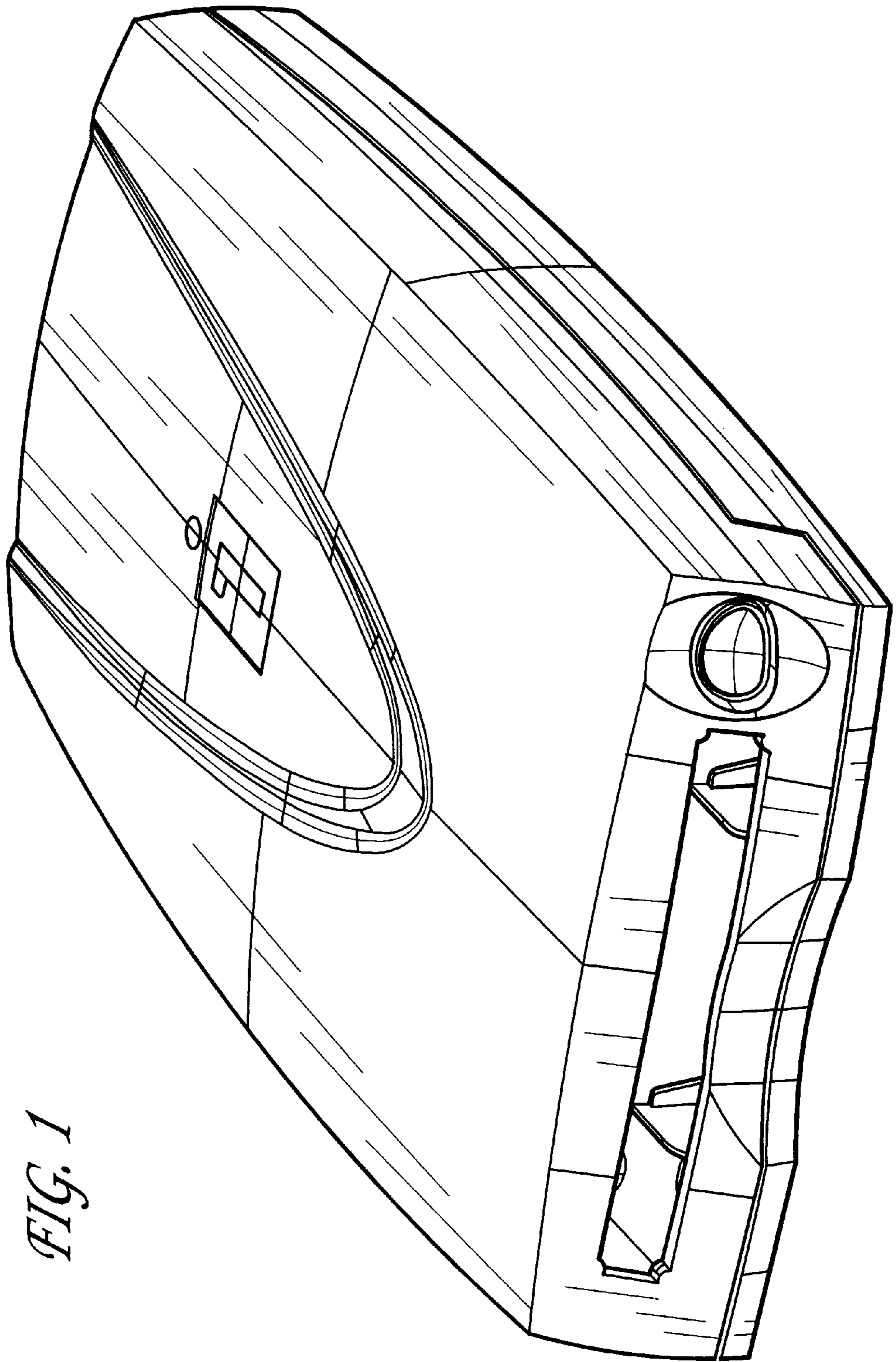


FIG. 1

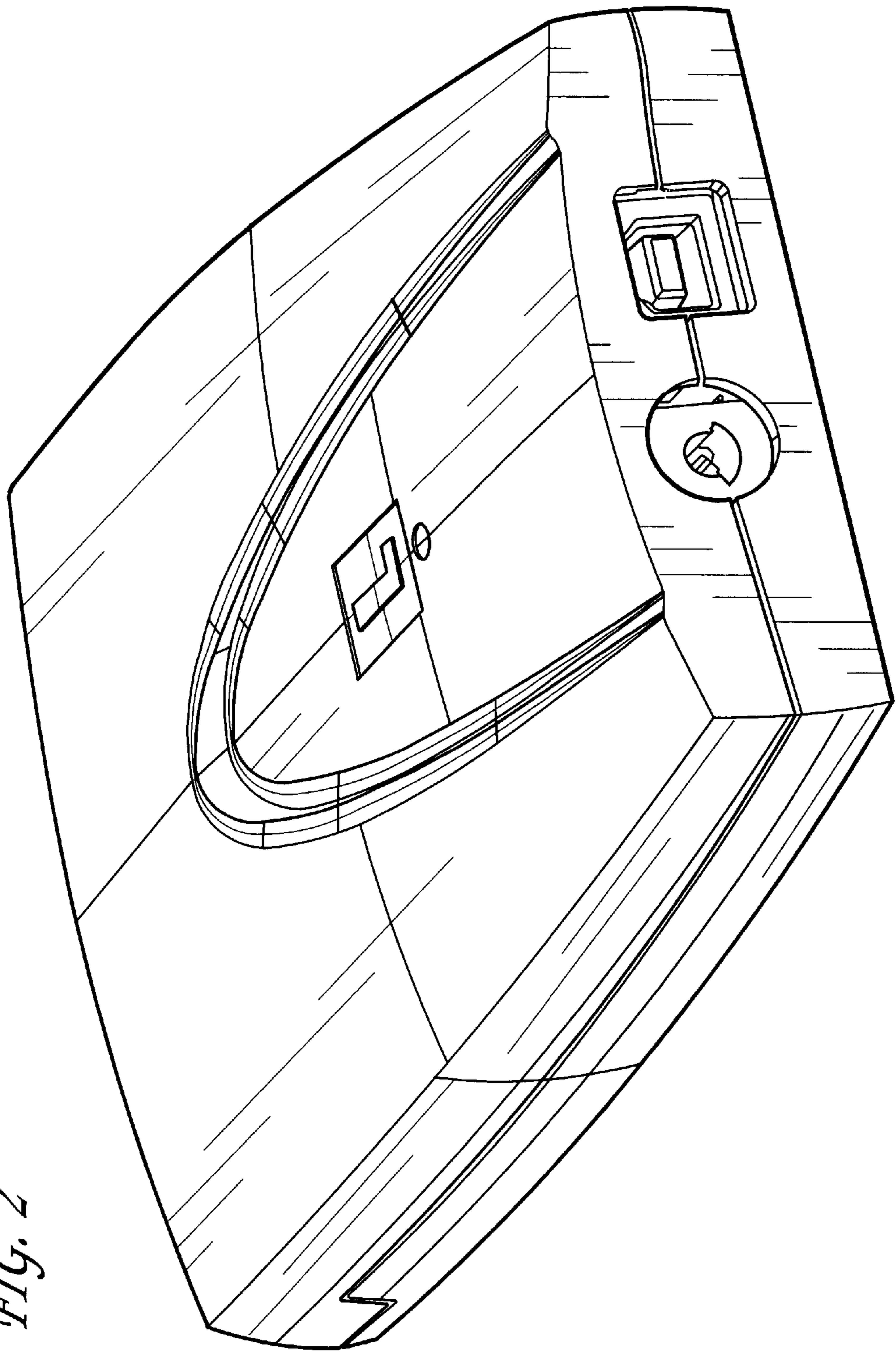


FIG. 2

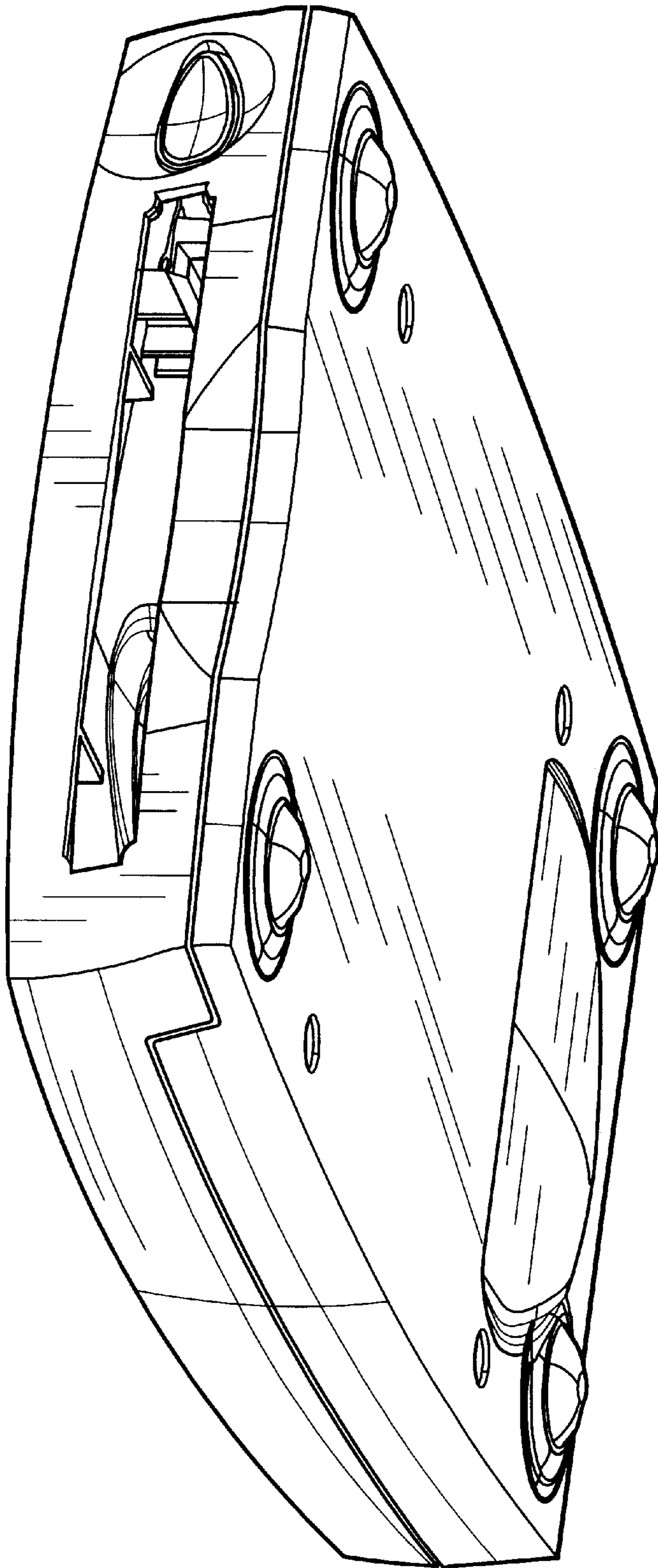


FIG. 3

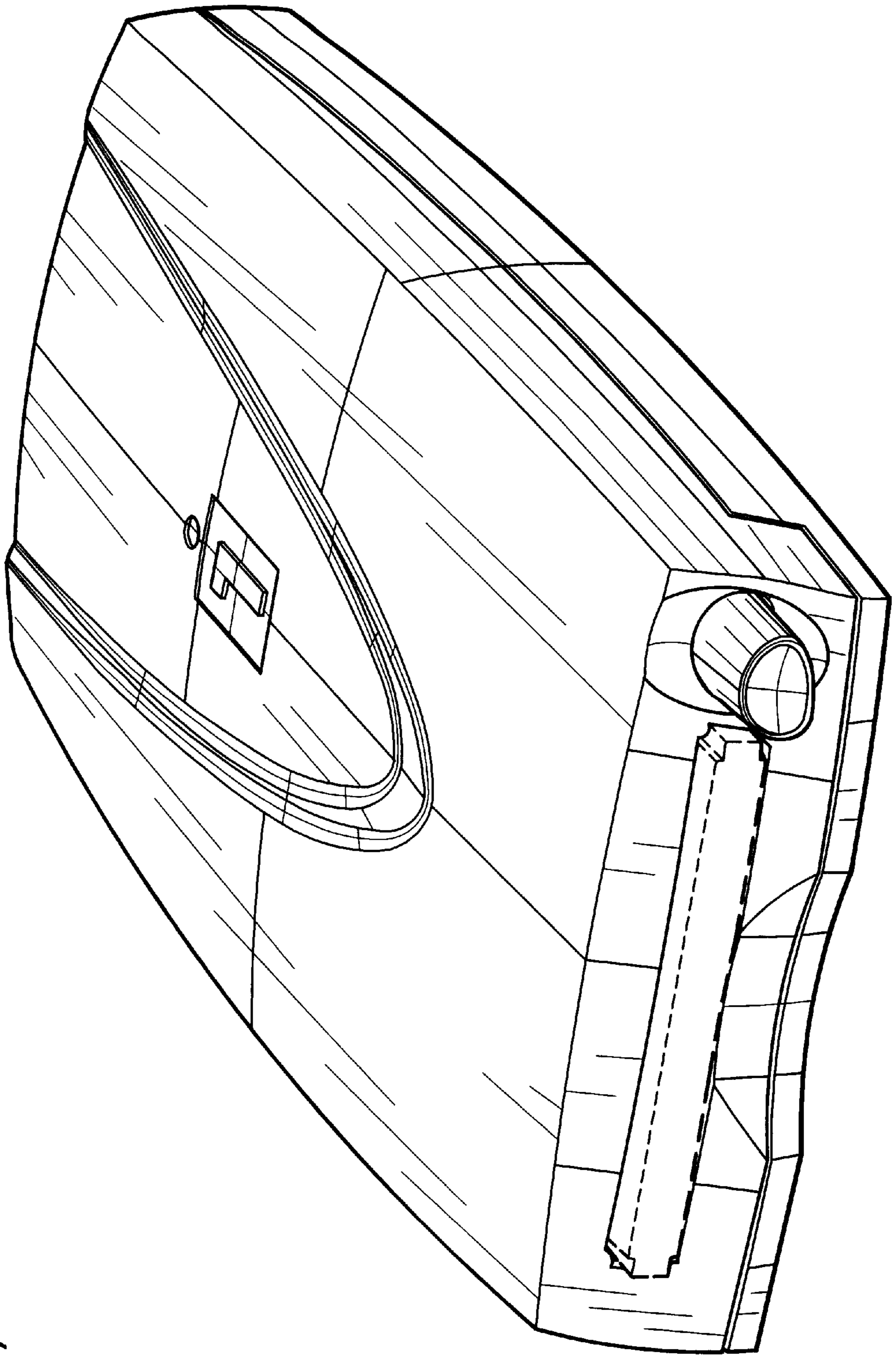


FIG. 4