



US00D448367B1

(12) **United States Design Patent**  
**Johansson**

(10) **Patent No.:** **US D448,367 S**

(45) **Date of Patent:** **\*\* Sep. 25, 2001**

(54) **KEY ARRAY FOR A COMMUNICATOR**

(75) Inventor: **Panu M. P. Johansson**, Tampere (FI)

(73) Assignee: **Nokia Mobile Phones Ltd.**, Espoo (FI)

(\*\*) Term: **14 Years**

(21) Appl. No.: **29/129,372**

(22) Filed: **Sep. 12, 2000**

(51) **LOC (7) Cl.** ..... **14-03**

(52) **U.S. Cl.** ..... **D14/247**

(58) **Field of Search** ..... D14/137, 138,  
D14/218, 147-148, 247-248, 144, 455,  
456, 341-347, 399, 426, 429, 453; 379/433.434,  
419, 420, 428, 440; 455/550-575, 90; D13/168;  
D18/2, 7, 12

(56) **References Cited**

**U.S. PATENT DOCUMENTS**

D. 388,080	*	12/1997	Harris et al.	.....	D14/138
D. 396,230	*	7/1998	Phillips et al.	.....	D14/138
D. 397,689	*	9/1998	Harris et al.	.....	D14/138
D. 402,664	*	12/1998	Phillips	.....	D14/247
D. 402,981	*	12/1998	Galletti et al.	.....	D14/138
D. 408,824	*	4/1999	Johansson et al.	.....	D14/247
D. 409,204	*	5/1999	Vuolteenaho	.....	D14/247
D. 409,599	*	5/1999	Tattari	.....	D14/138
D. 409,600	*	5/1999	Yang et al.	.....	D14/138
D. 415,149	*	10/1999	Vuolteenaho et al.	.....	D14/138
D. 415,489	*	10/1999	Ke	.....	D14/138

D. 422,596	*	4/2000	Nakahara et al.	.....	D14/247
D. 424,571	*	5/2000	Finkbeiner	.....	D14/247
D. 425,904	*	5/2000	Frye et al.	.....	D14/247
D. 428,401	*	7/2000	Curtis	.....	D14/138
D. 429,707	*	8/2000	Park	.....	D14/138
D. 439,230	*	3/2001	Braxton et al.	.....	D14/138
5,745,566	*	4/1998	Petrella et al.	.....	379/433
5,768,370	*	6/1998	Maatta et al.	.....	379/433

\* cited by examiner

*Primary Examiner*—Jeffrey Asch

(74) *Attorney, Agent, or Firm*—Brian T. Rivers; Steven A. Shaw

(57) **CLAIM**

The ornamental design for a key array for a communicator, as shown.

**DESCRIPTION**

FIG. 1 is a left side view of the communicator with key array;  
FIG. 2 is a front side view thereof;  
FIG. 3 is a right side view thereof;  
FIG. 4 is a perspective view thereof with the communicator in the open position; and,  
FIG. 5 is a front perspective view thereof with communicator in the closed position.

The portion of the design shown in broken lines is for illustrative purposes only and forms no part of the claimed design.

**1 Claim, 3 Drawing Sheets**

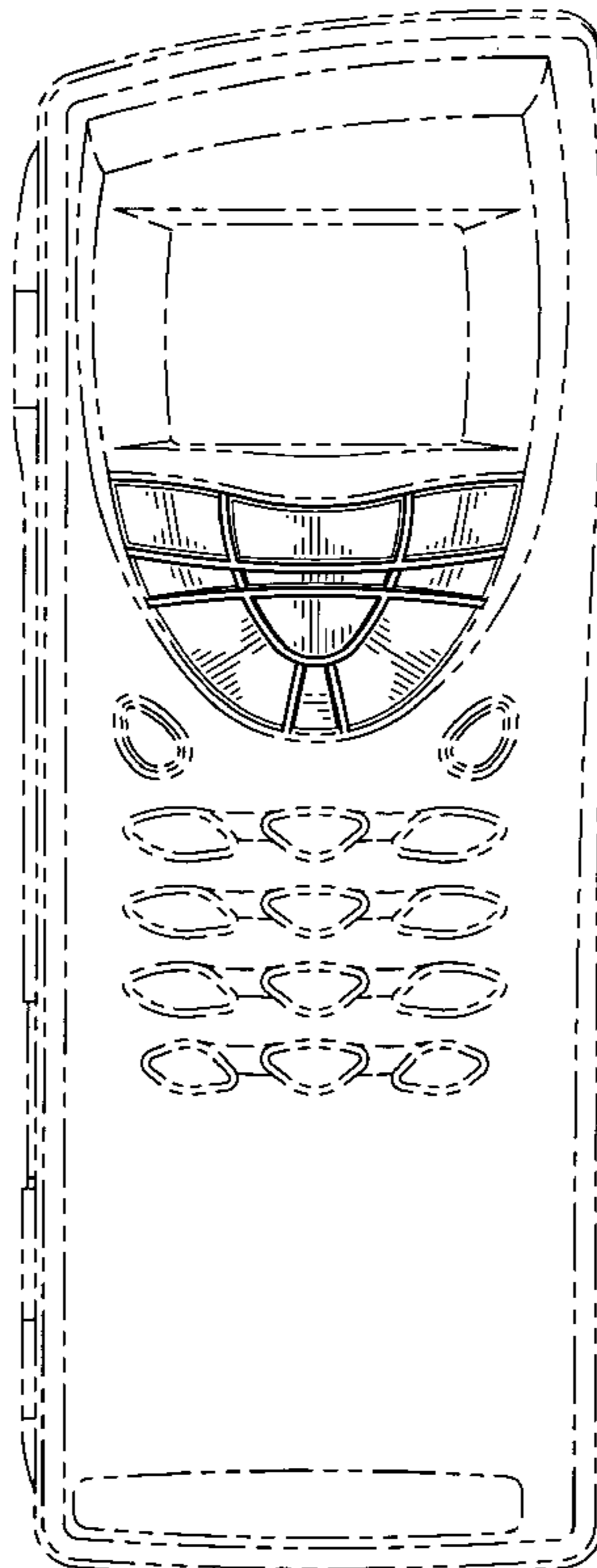


FIG. 1

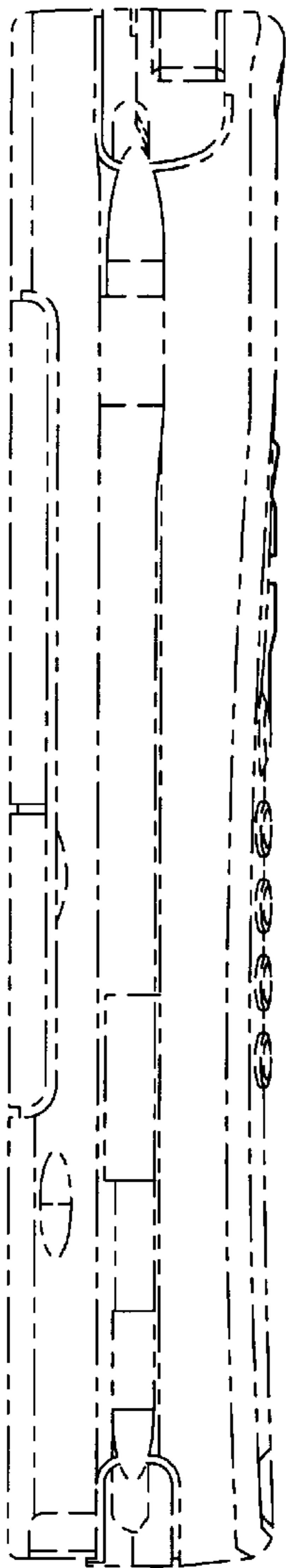


FIG. 2

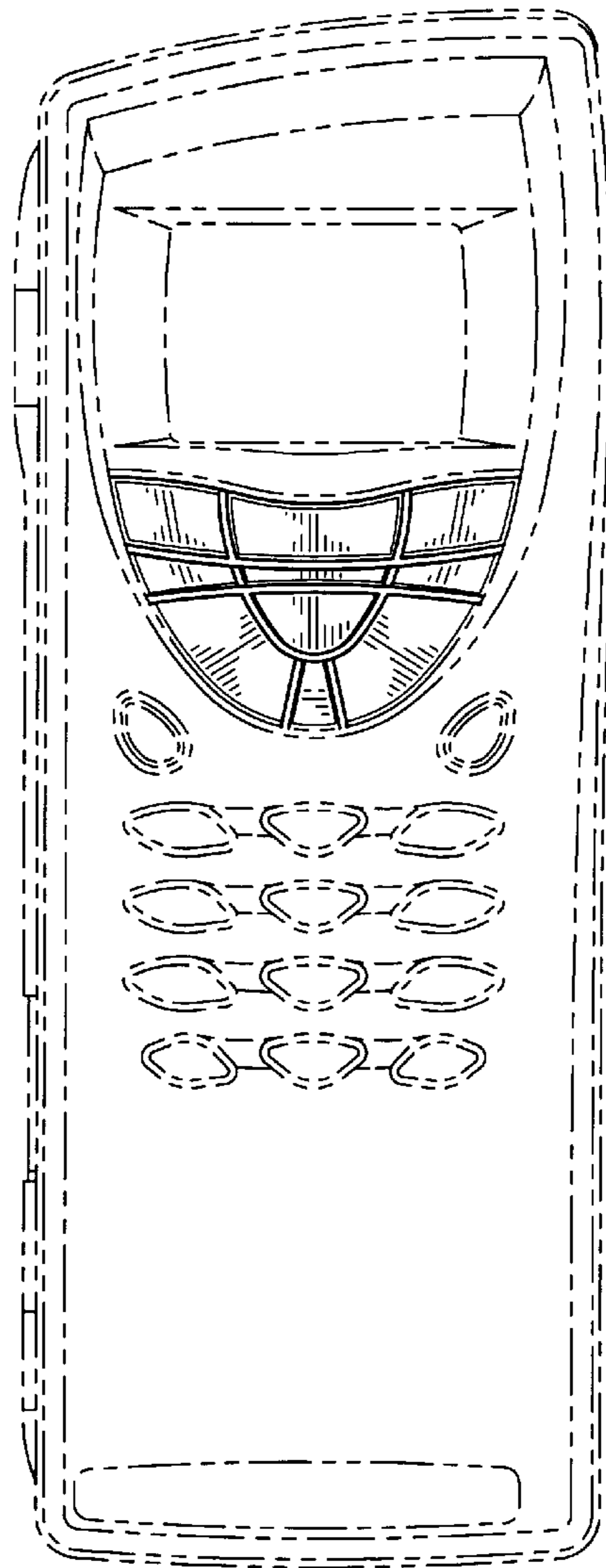
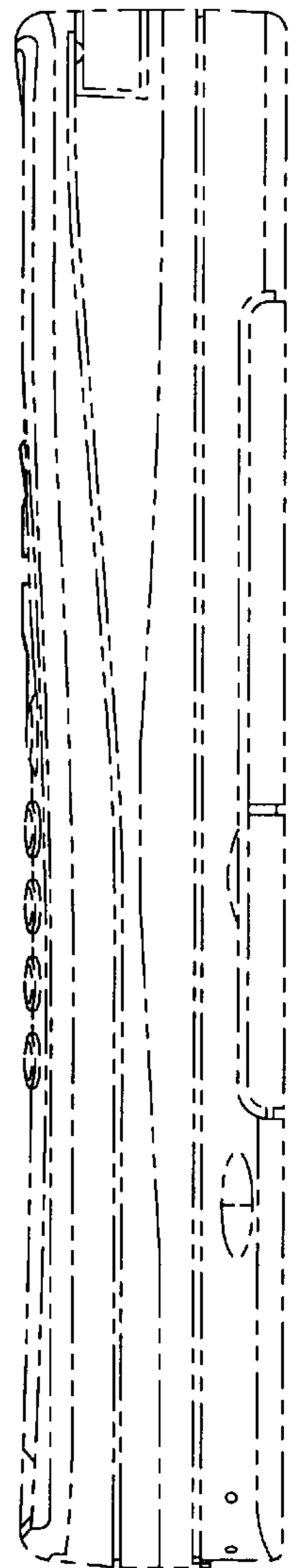


FIG. 3



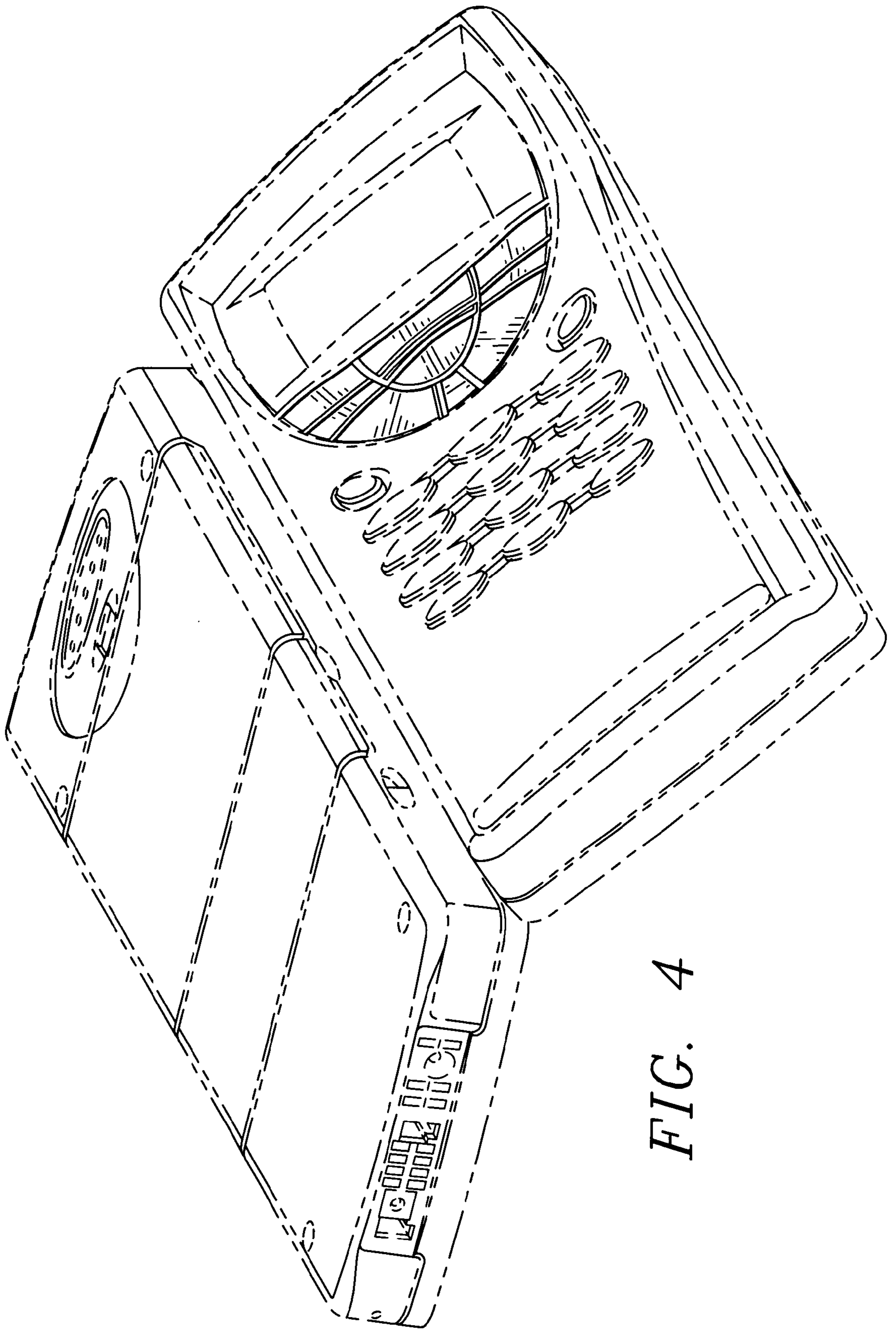


FIG. 4



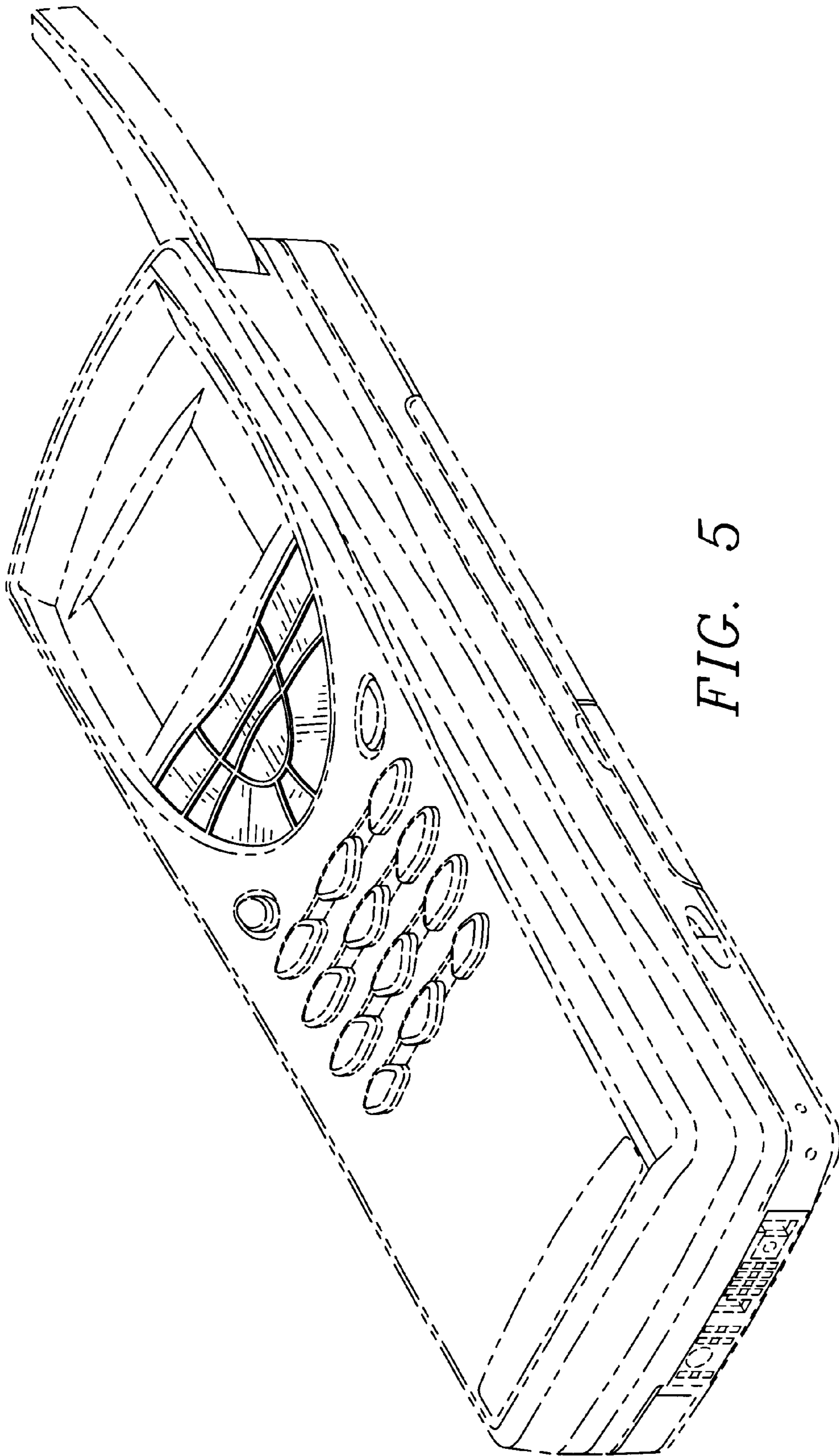


FIG. 5