



US00D448365B1

(12) **United States Design Patent**
Kerestegian et al.

(10) **Patent No.:** **US D448,365 S**

(45) **Date of Patent:** **** Sep. 25, 2001**

(54) **COMMUNICATION CONTROLLER**

(75) Inventors: **Stiven Kerestegian**, Seattle; **William Horton**, Redmond, both of WA (US)

(73) Assignee: **Microsoft Corporation**, Redmond, WA (US)

(**) Term: **14 Years**

(21) Appl. No.: **29/119,292**

(22) Filed: **Feb. 29, 2000**

(51) **LOC (7) Cl.** **14-03**

(52) **U.S. Cl.** **D14/240; D14/388; D14/356**

(58) **Field of Search** D14/137, 130,
D14/140, 142, 358, 241, 240, 242, 149,
356, 357, 129, 336, 243, 402, 317, 388,
403, 363, 417, 409, 155, 159, 125, 150,
126, 132, 239, 160, 337, 230, 156, 141,
218, 231; 379/419, 420, 428, 440, 399,
412; 455/550-575, 90; D13/184, 168; 348/14.01,
14.02

(56) **References Cited**

U.S. PATENT DOCUMENTS

- D. 331,398 * 12/1992 Clouss et al. D14/417
- D. 333,818 * 3/1993 Yang D14/417
- D. 337,321 * 7/1993 Koh et al. D14/409

- D. 346,170 * 4/1994 Tang D14/230
- D. 368,721 * 4/1996 Howell et al. D14/240
- D. 371,361 * 7/1996 Velinsky D14/155
- D. 371,791 * 7/1996 Patton D14/218
- D. 375,748 * 11/1996 Hartman D14/218
- D. 376,148 * 12/1996 Moallemi et al. D14/160
- D. 387,065 * 12/1997 Volan et al. D14/243
- D. 394,258 * 5/1998 Fitzgerald D14/150

* cited by examiner

Primary Examiner—Jeffrey Asch

(74) *Attorney, Agent, or Firm*—Banner & Witcoff, Ltd.

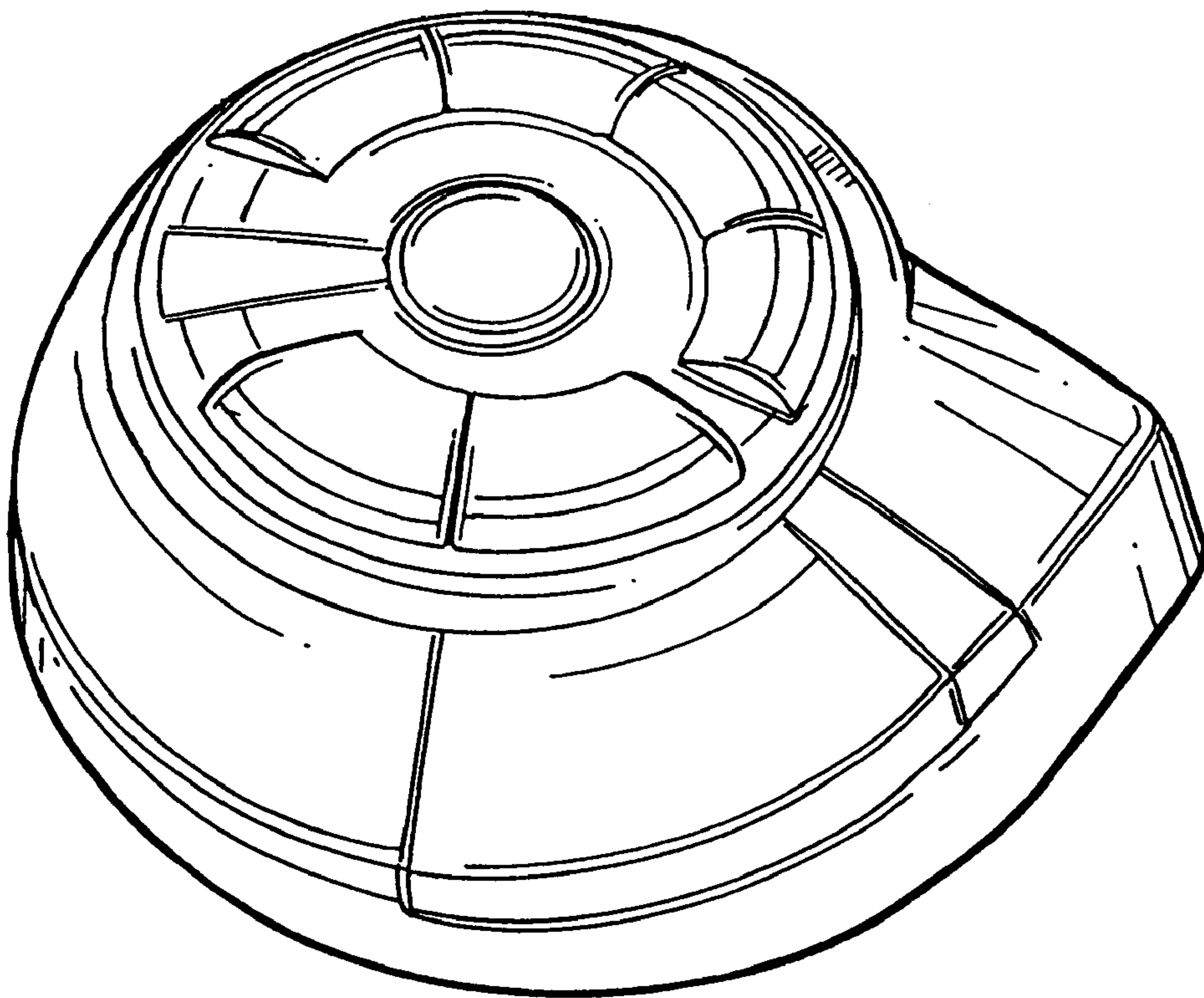
(57) **CLAIM**

The ornamental design for a communication controller, as shown and described.

DESCRIPTION

FIG. 1 is a perspective view of a communication controller showing our new design;
 FIG. 2 is a top plan view thereof;
 FIG. 3 is a right side elevational view thereof;
 FIG. 4 is a left side elevational view thereof;
 FIG. 5 is a front elevational view thereof; and,
 FIG. 6 is a rear elevational view thereof.
 The designations of left, right, front, and rear are for reference purposes only. The unshown bottom of the communication controller forms no part of the claimed design.

1 Claim, 2 Drawing Sheets



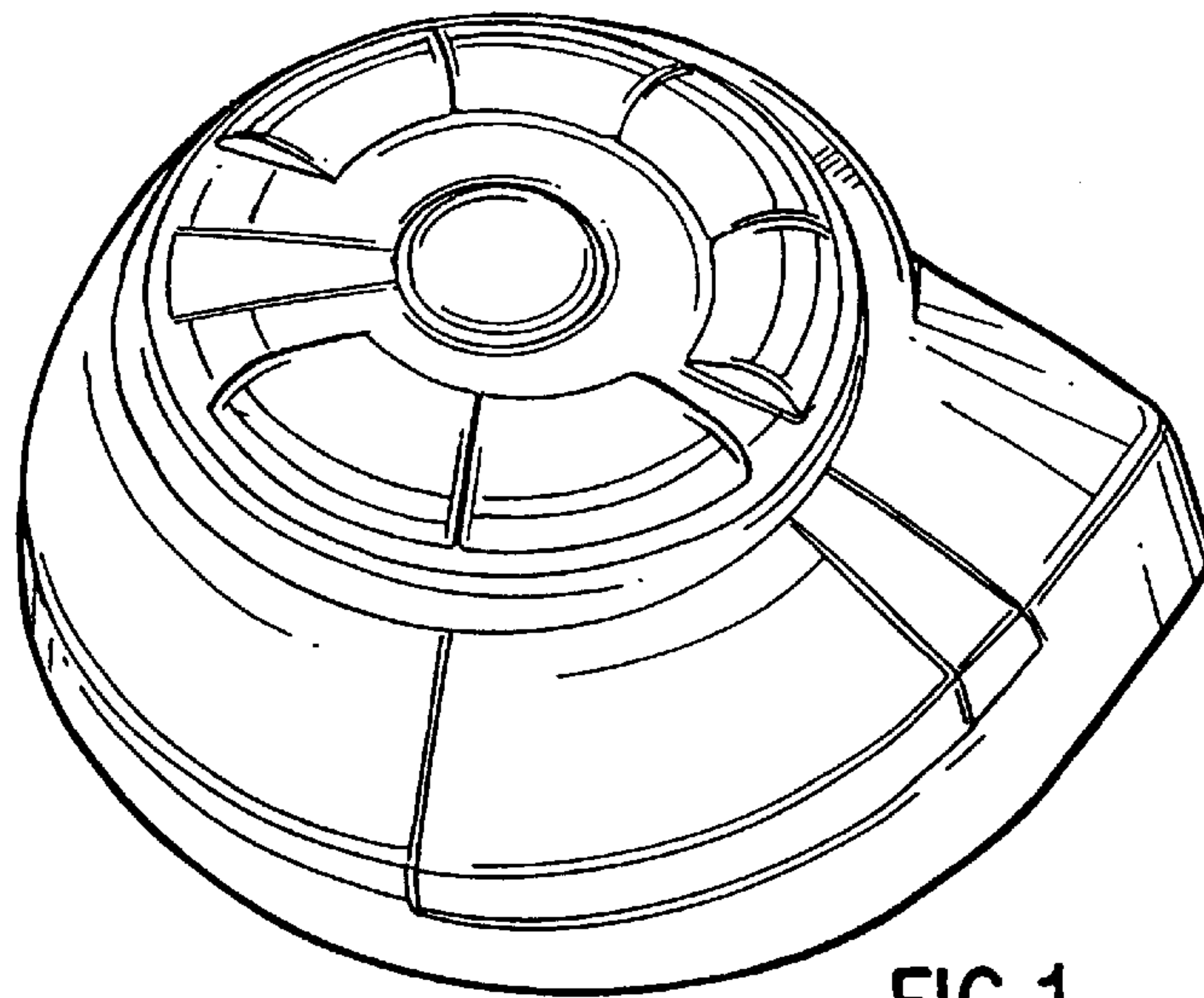


FIG. 1

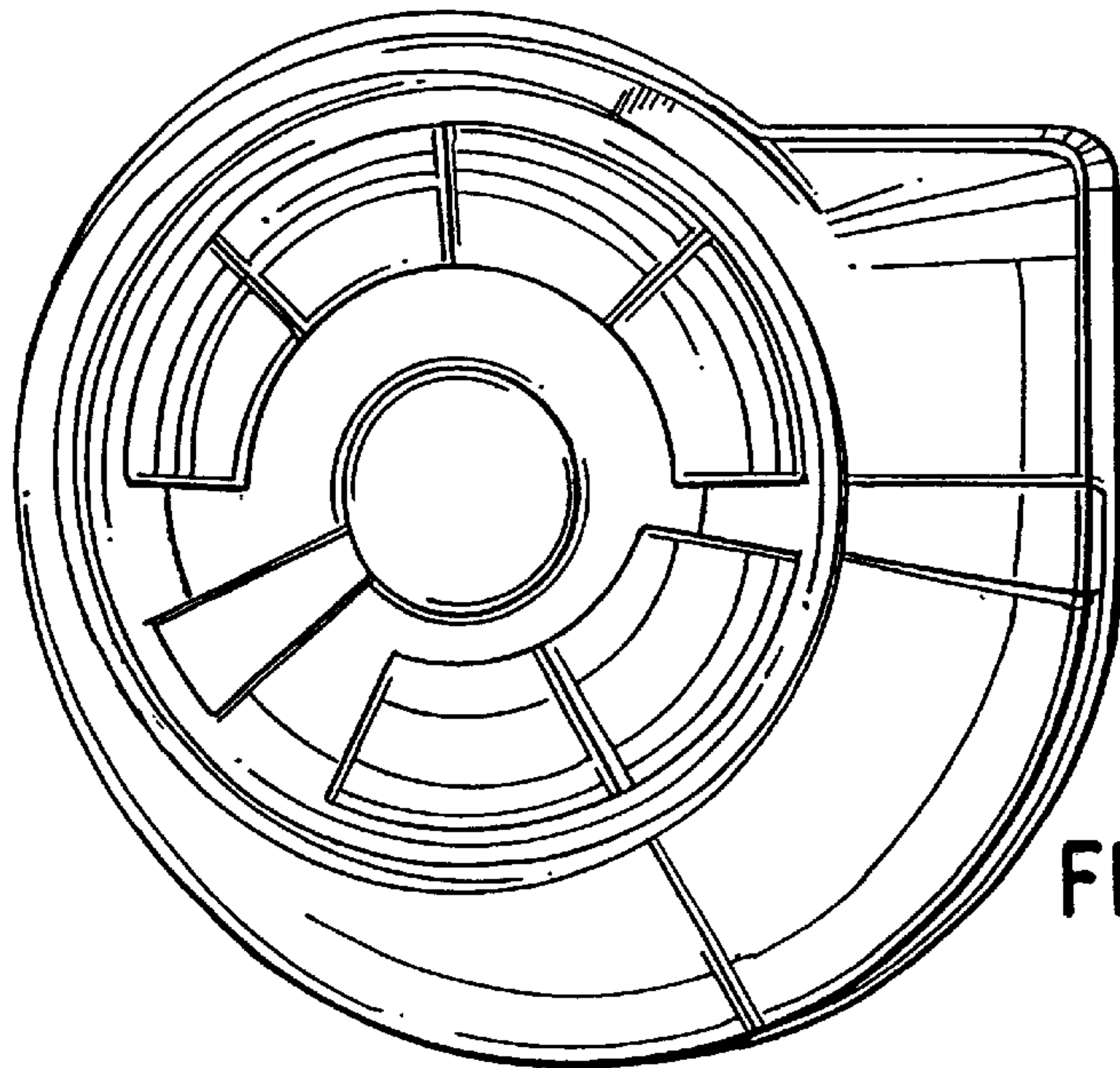


FIG. 2

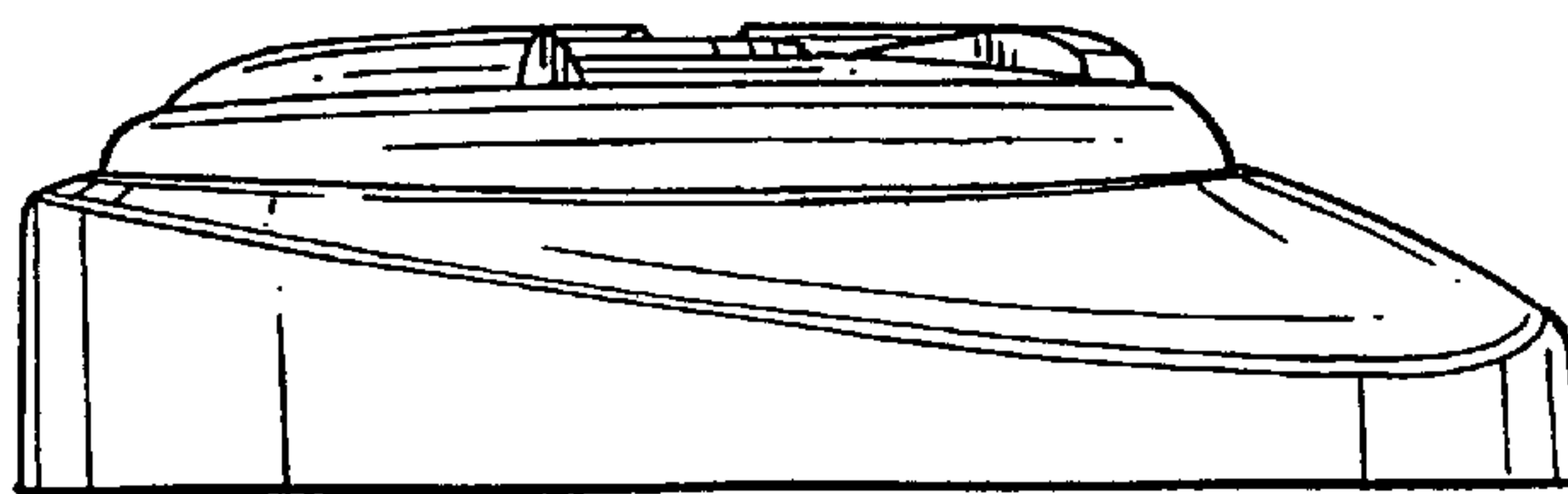


FIG. 3

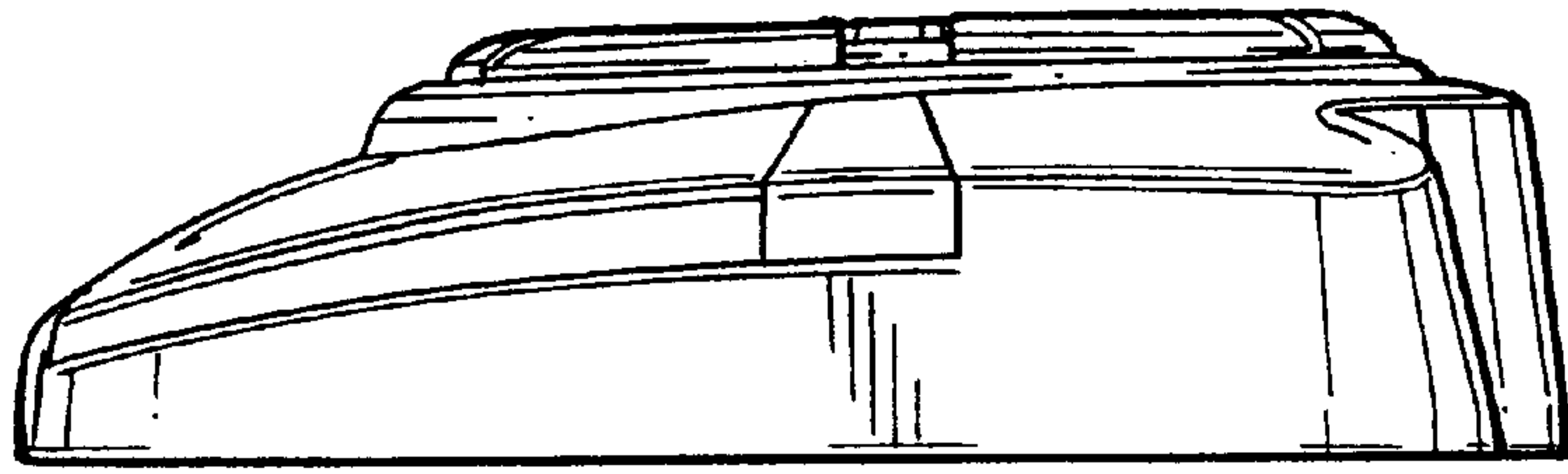


FIG. 4

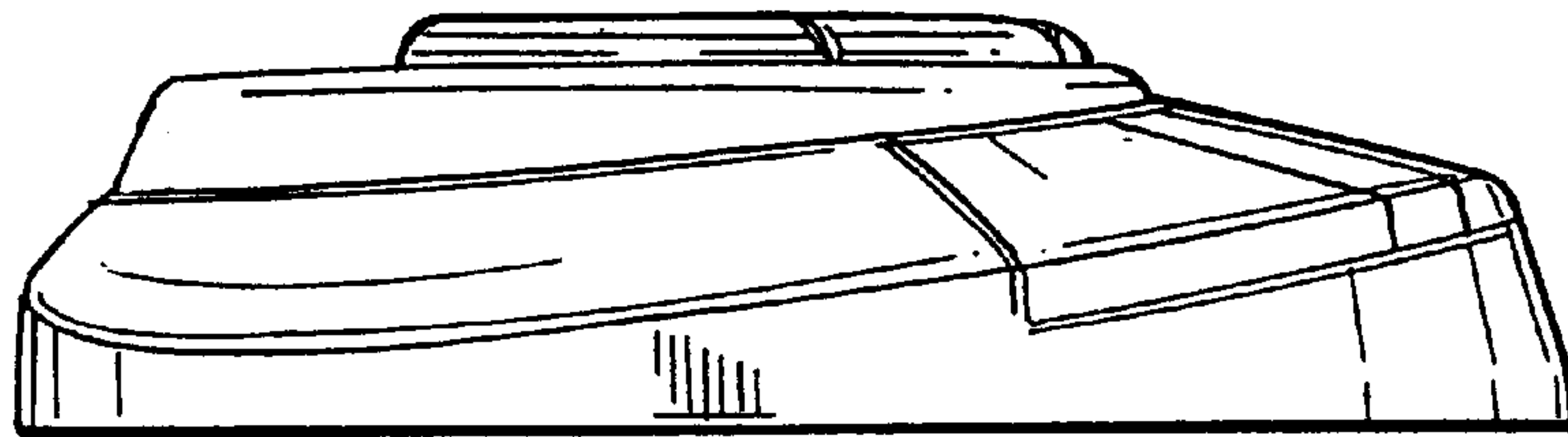


FIG. 5

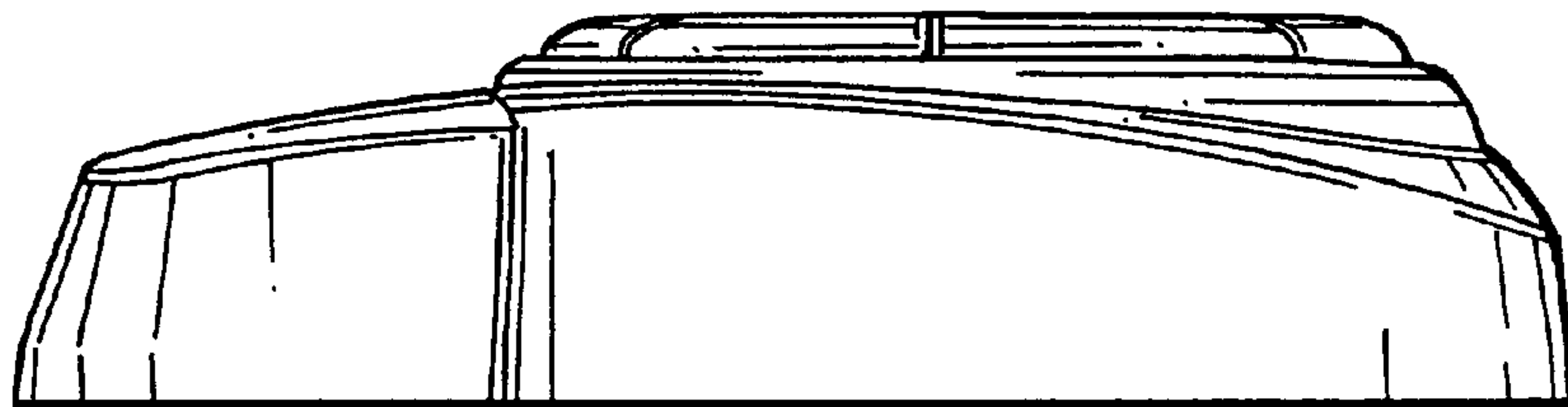


FIG. 6

UNITED STATES PATENT AND TRADEMARK OFFICE
CERTIFICATE OF CORRECTION

PATENT NO. : Des 448,365 S
DATED : September 25, 2001
INVENTOR(S) : Stiven Kerestegian et al.

Page 1 of 1

It is certified that error appears in the above-identified patent and that said Letters Patent is hereby corrected as shown below:

Title page,

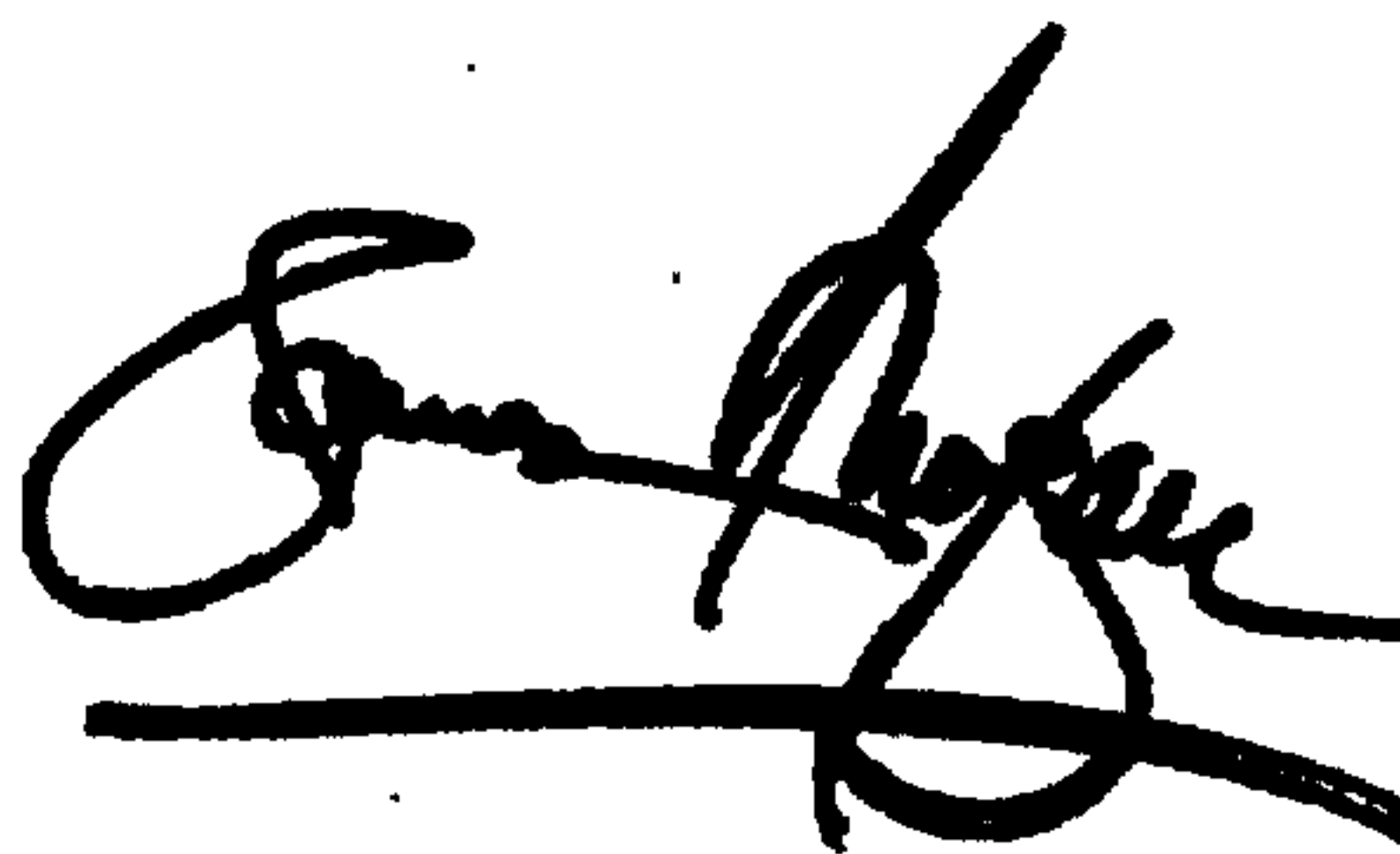
References Cited, Item [56], under U.S. PATENT DOCUMENTS, the entire list of references have been replaced with:

-- D. 398,912	* 9/1998	Phillips	D14/399
D. 428,876	* 8/2000	Renkis	D14/230
D. 430,143	* 8/2000	Renk	D14/218
D. 435,045	* 12/2000	Treadwell	D14/402
D. 441,760	* 5/2001	Hibino	D14/454
D. 444,144	* 6/2001	Warner et al.	D14/231 --

Signed and Sealed this

Twenty-sixth Day of March, 2002

Attest:



Attesting Officer

JAMES E. ROGAN
Director of the United States Patent and Trademark Office