



US00D448363B1

(12) **United States Design Patent**
Amae et al.

(10) **Patent No.:** **US D448,363 S**

(45) **Date of Patent:** **** Sep. 25, 2001**

(54) **MICROPHONE**

(75) Inventors: **Dominic Amae**, Aloha, OR (US);
Raymond Weikel; **Bruce Lancaster**,
both of Camas, WA (US); **Charles**
Karras, Vancouver, WA (US)

(73) Assignee: **Labtec Corporation**, Vancouver, WA
(US)

(**) Term: **14 Years**

(21) Appl. No.: **29/135,099**

(22) Filed: **Jan. 4, 2001**

(51) **LOC (7) Cl.** **14-01**

(52) **U.S. Cl.** **D14/227**

(58) **Field of Search** D14/206, 223-229;
181/158, 242; 381/122, 168, 169, 161

(56) **References Cited**

U.S. PATENT DOCUMENTS

- D. 351,391 * 10/1994 Martin D14/225
- D. 351,840 * 10/1994 Hillier et al. D14/228
- D. 395,893 * 7/1998 Hern et al. D14/227

* cited by examiner

Primary Examiner—Nanda Bondade
(74) *Attorney, Agent, or Firm*—Ipsolon LLP.

(57) **CLAIM**

The ornamental design for a microphone, as shown and described.

DESCRIPTION

FIG. 1 is a rear and left side isometric view of a microphone showing our new design;
FIG. 2 is a front and left side isometric view thereof;
FIG. 3 is a rear elevational view thereof;
FIG. 4 is a front elevational view thereof;
FIG. 5 is a top plan view thereof;
FIG. 6 is a left side elevational view thereof, the right side being a mirror image; and,
FIG. 7 is a bottom plan view thereof.

The broken line showing of the microphone apertures, cable attachment and base details are for illustrative purpose only and form no part of the claimed design.

The broken line showing of the microphone apertures and cable mounting portion on FIGS. 1-5 define the bounds of the claimed design.

1 Claim, 2 Drawing Sheets

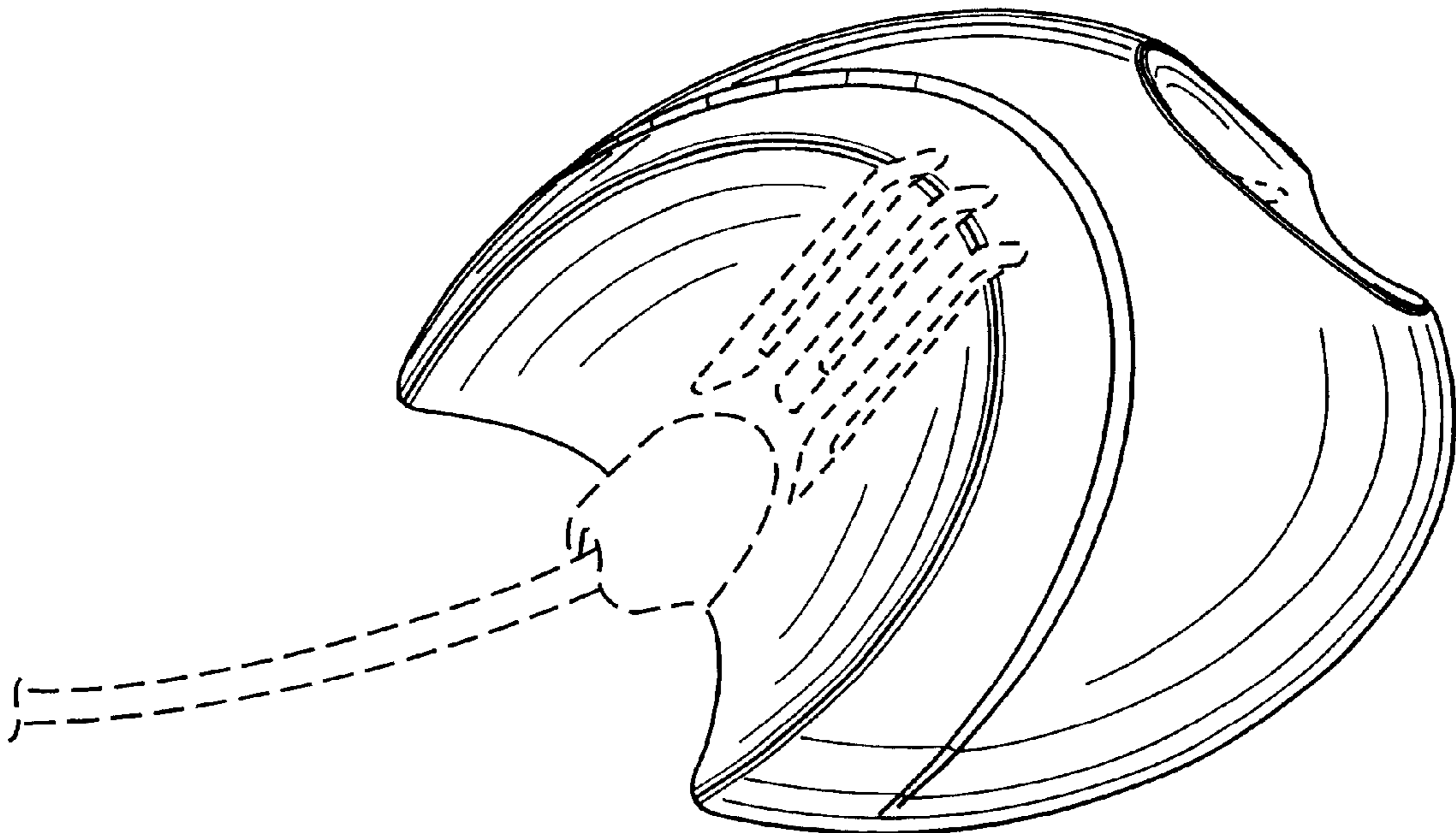


FIG. 1

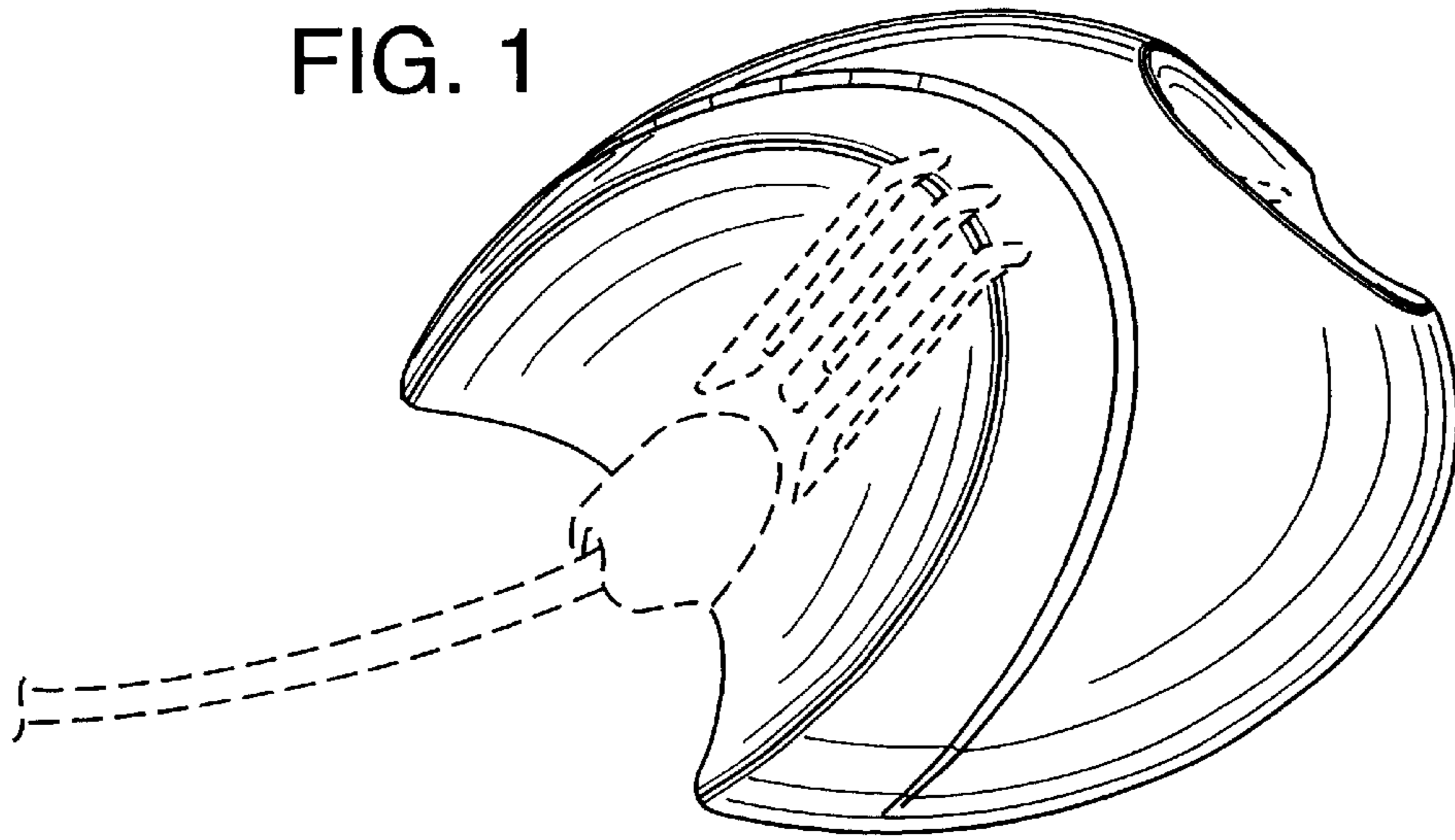


FIG. 2

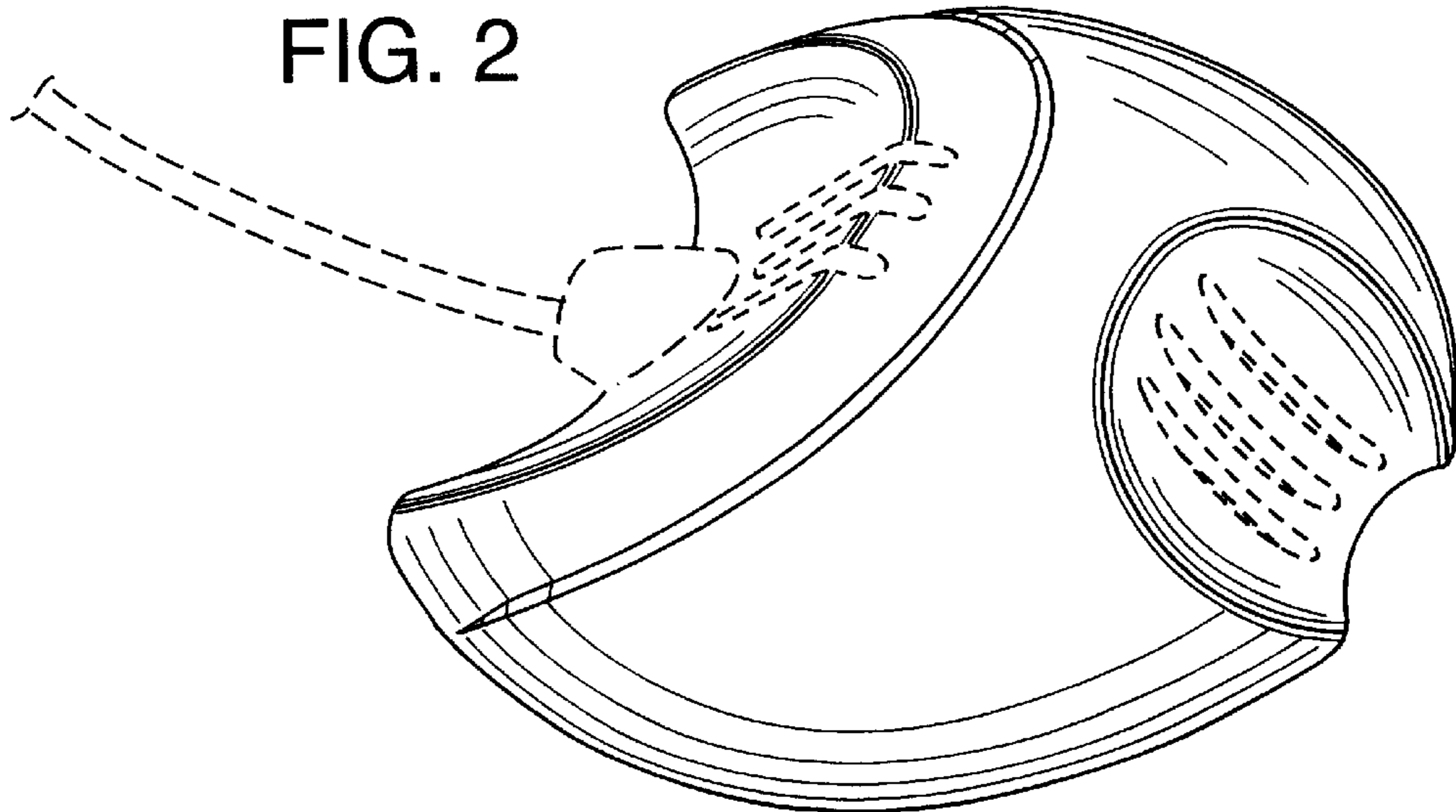


FIG. 3

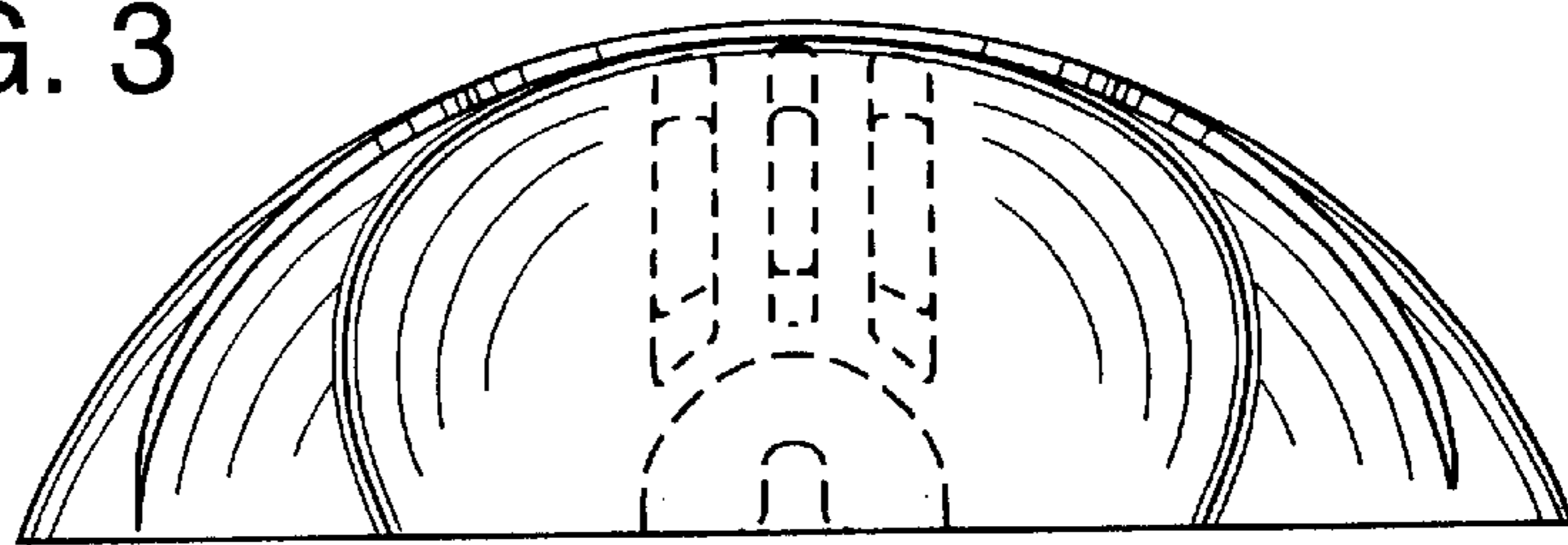


FIG. 4

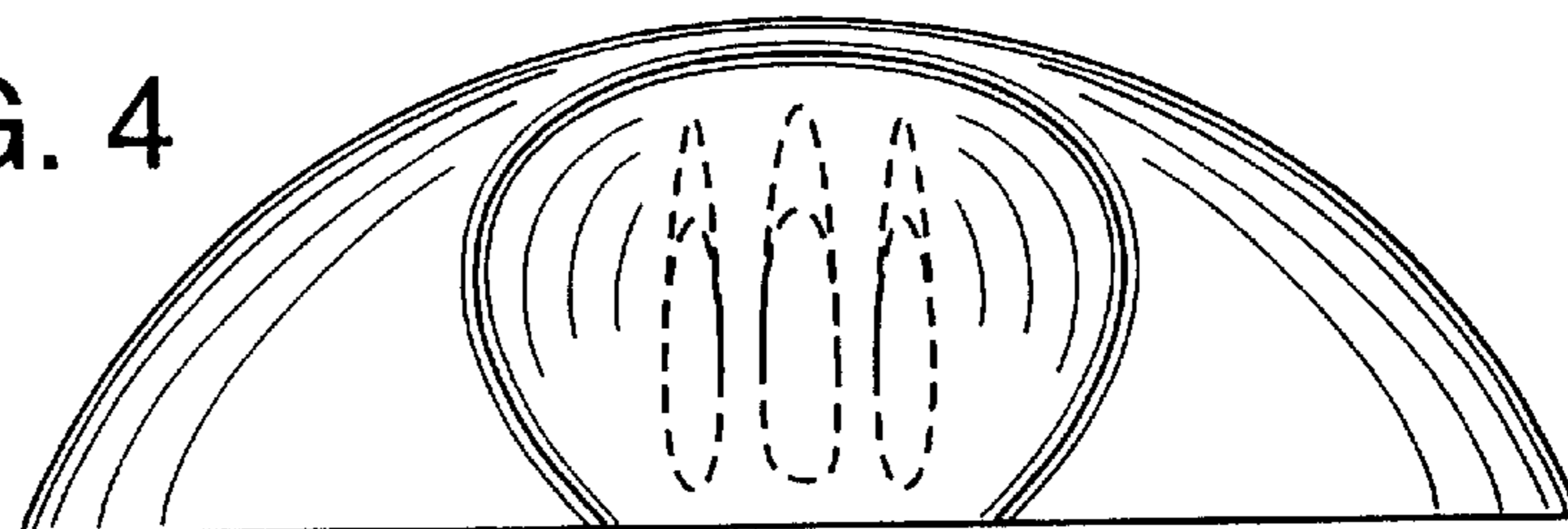


FIG. 5

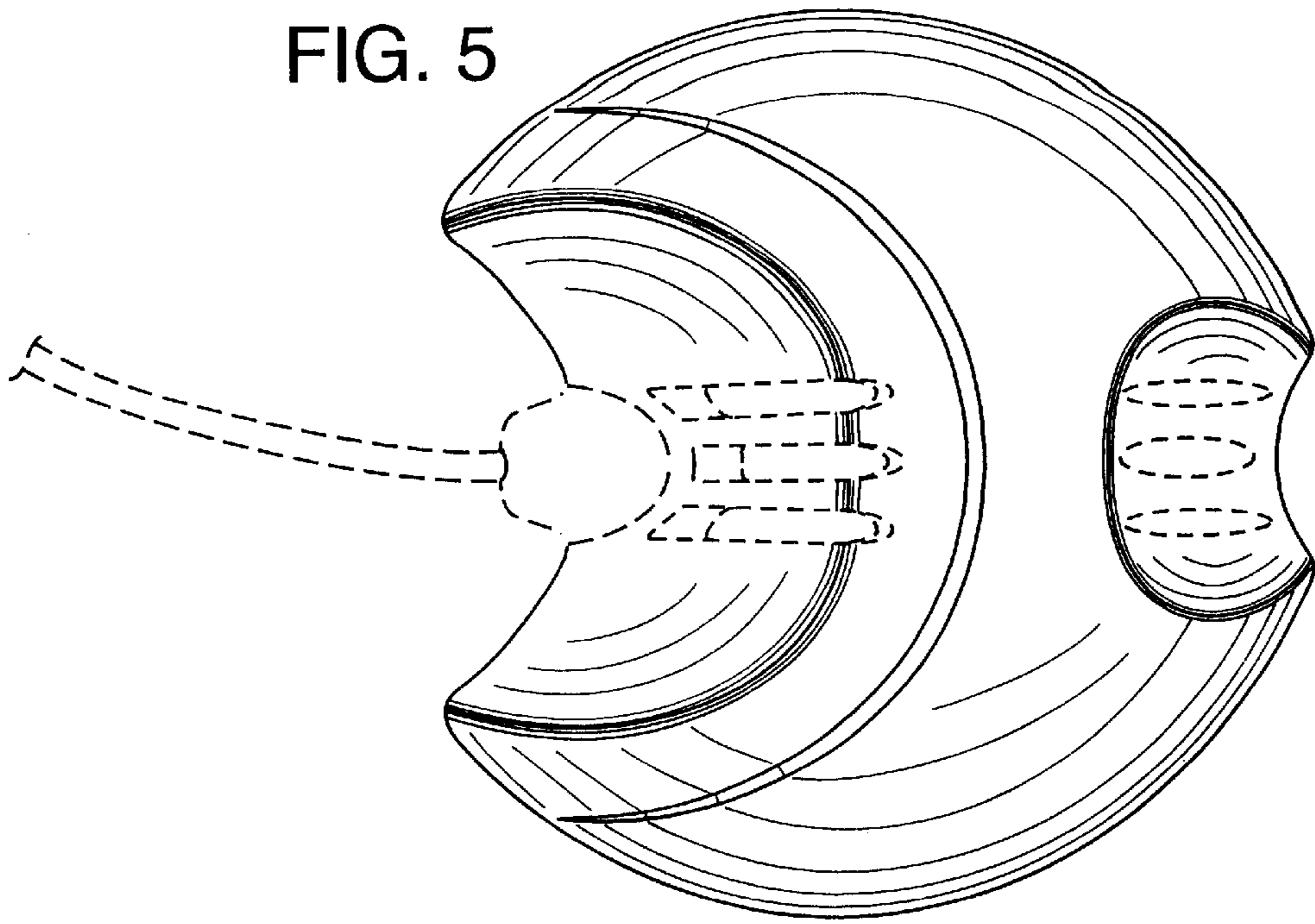


FIG. 6

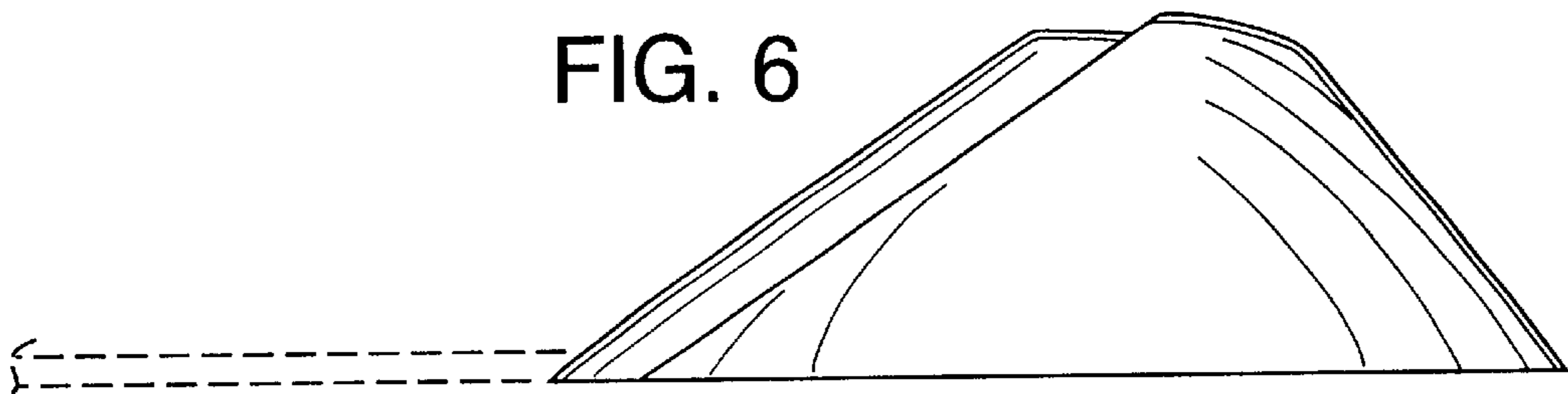


FIG. 7

