



US00D448358B1

(12) **United States Design Patent**  
**Tickle et al.**

(10) **Patent No.:** **US D448,358 S**

(45) **Date of Patent:** **\*\* Sep. 25, 2001**

(54) **REMOTE CONTROL**

(75) Inventors: **James Tickle**, Thousand Oaks; **Michael Smither**, Castiac; **Steven Branton**, Ventura; **Jack Segal**, Oxnard; **William Yates**, Camarillo, all of CA (US)

(73) Assignee: **Interlink Electronics, Inc.**, Camarillo, CA (US)

(\*\*) Term: **14 Years**

(21) Appl. No.: **29/122,500**

(22) Filed: **Apr. 27, 2000**

(51) **LOC (7) Cl.** ..... **14-03**

(52) **U.S. Cl.** ..... **D14/218**

(58) **Field of Search** ..... D14/217, 218,  
D14/192, 165, 163; D13/168; 348/734;  
455/151.1, 151.2, 151.3, 151.4, 152.1, 352-355;  
200/331; D10/104, 106

(56) **References Cited**

**U.S. PATENT DOCUMENTS**

D. 411,169 \* 6/1999 West ..... D14/218

D. 416,909 \* 11/1999 Renk ..... D14/218

D. 424,060 \* 5/2000 Baker et al. .... D14/218

D. 436,099 \* 1/2001 Hannig ..... D14/218

\* cited by examiner

*Primary Examiner*—Louis S. Zarfes

*Assistant Examiner*—Gregory Andoll

(74) *Attorney, Agent, or Firm*—Brooks & Kushman P.C.

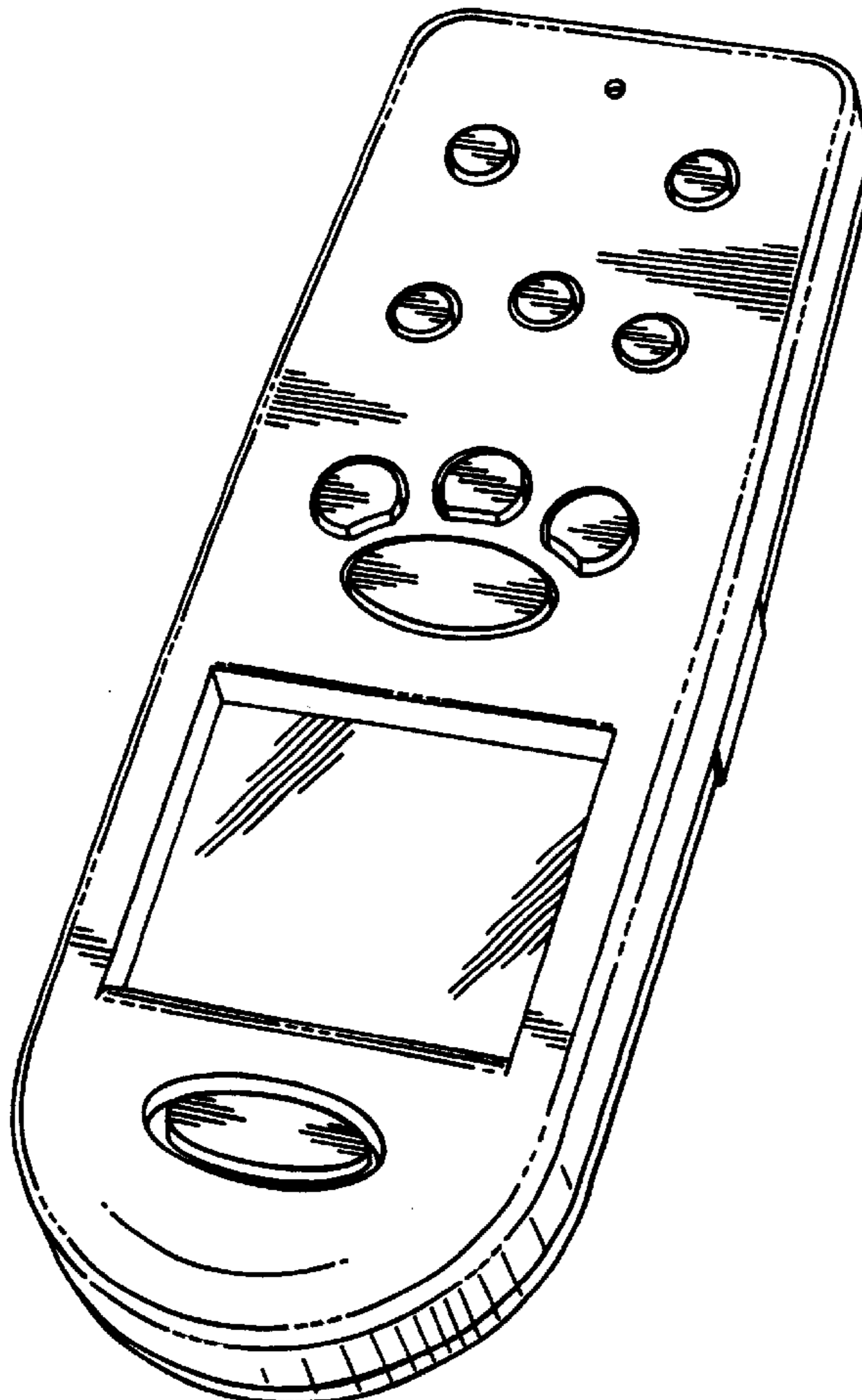
(57) **CLAIM**

The ornamental design for a remote control, as shown and described.

**DESCRIPTION**

FIG. 1 illustrates a perspective view of a remote control in accordance with the present invention;  
FIG. 2 illustrates a front view thereof;  
FIG. 3 illustrates a bottom plan thereof;  
FIG. 4 illustrates a top plan thereof;  
FIG. 5 illustrates a side view thereof; and,  
FIG. 6 illustrates a rear view thereof.

**1 Claim, 2 Drawing Sheets**



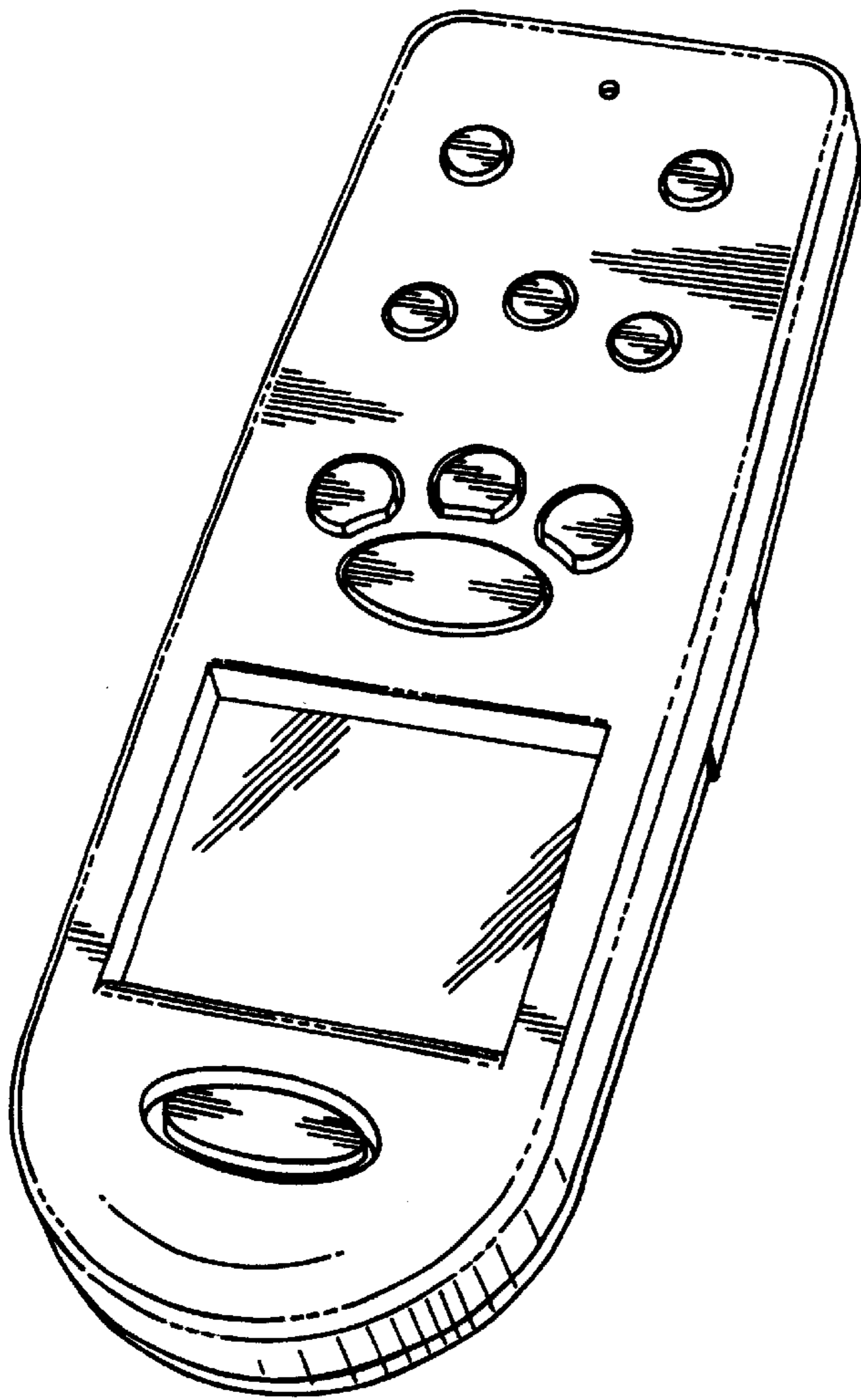


FIG. 1

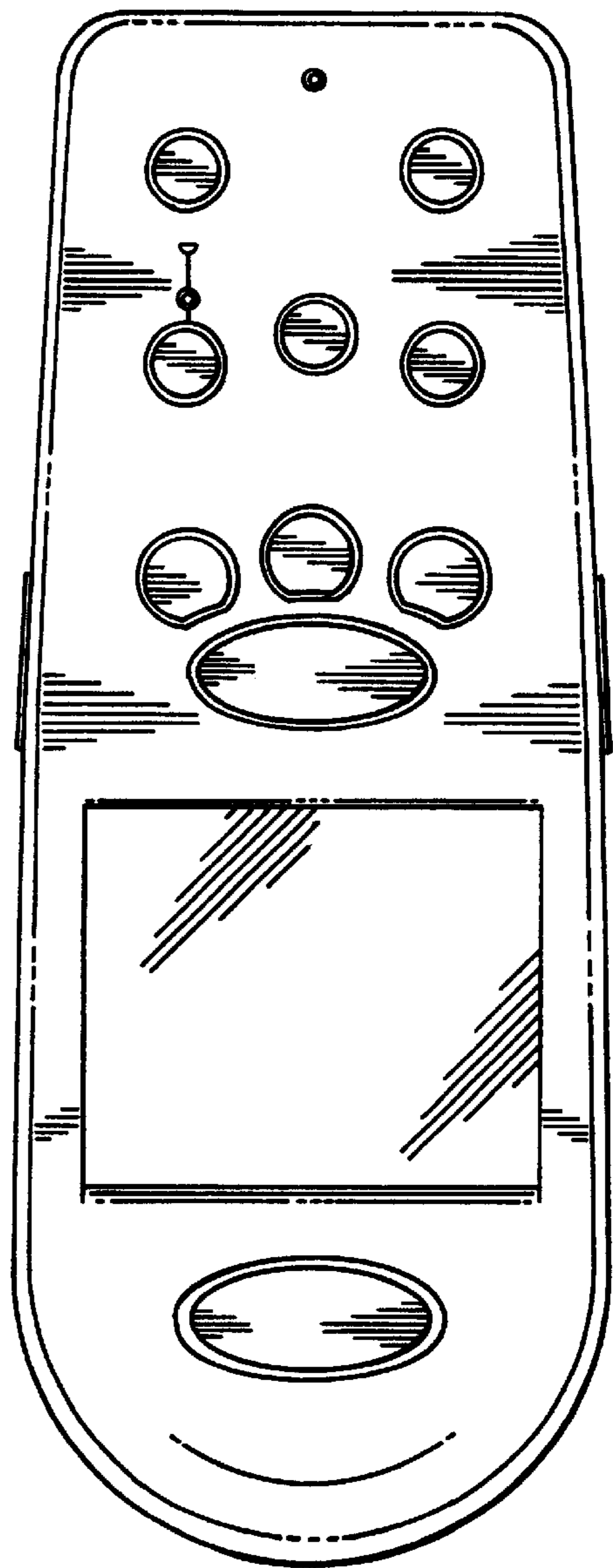


FIG. 2

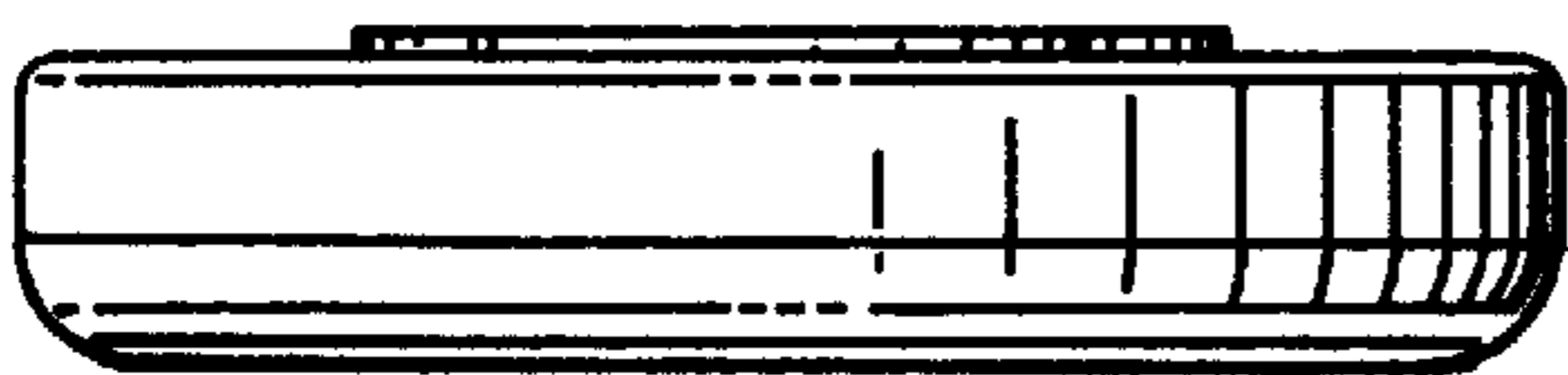


FIG. 3

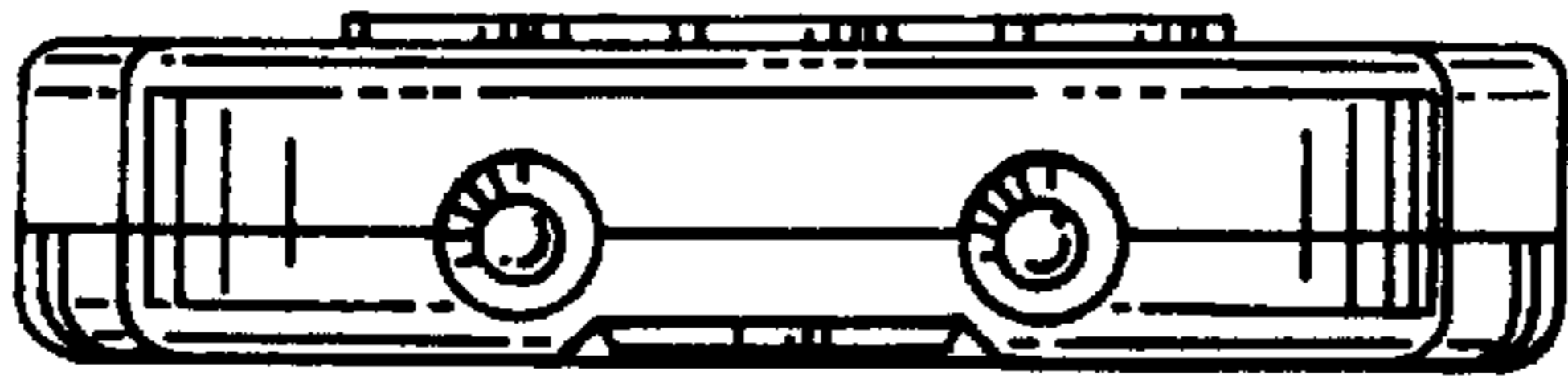


FIG. 4

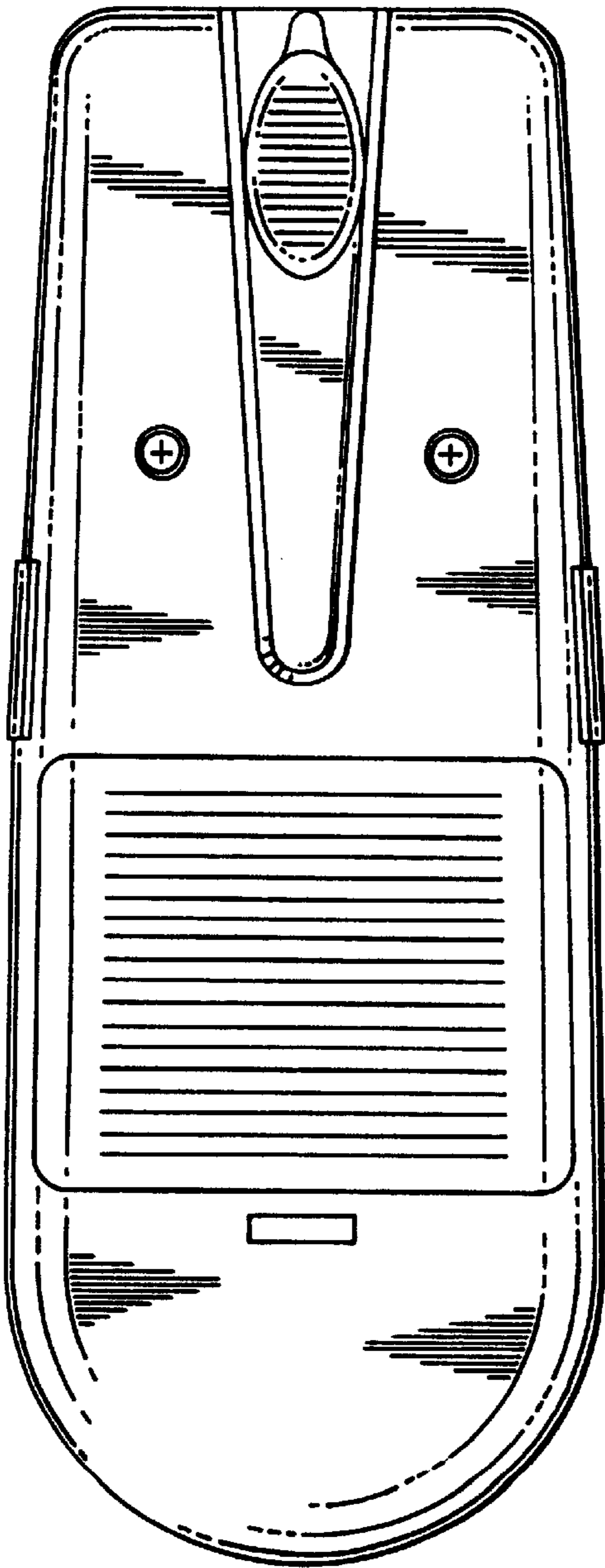


FIG. 6

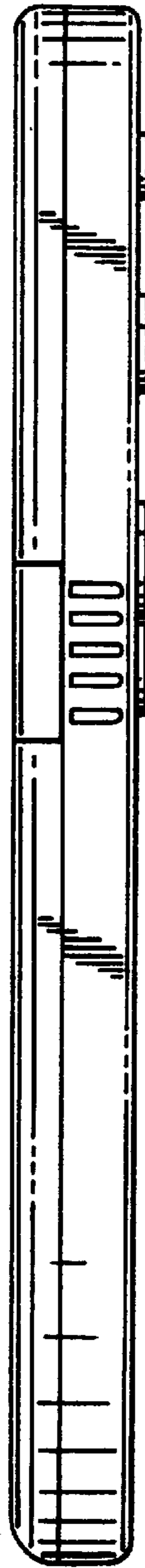


FIG. 5