



US00D448357B1

(12) **United States Design Patent**
Oku

(10) **Patent No.:** **US D448,357 S**

(45) **Date of Patent:** **** Sep. 25, 2001**

(54) **DIGITAL AUDIO DISK PLAYER**

(75) Inventor: **Mineo Oku**, Tokyo (JP)

(73) Assignee: **Nippon Columbia Co., Ltd.**, Tokyo (JP)

(**) Term: **14 Years**

(21) Appl. No.: **29/133,416**

(22) Filed: **Nov. 30, 2000**

(30) **Foreign Application Priority Data**

May 31, 2000 (JP) 12-014493

(51) **LOC (7) Cl.** **14-01**

(52) **U.S. Cl.** **14/156**

(58) **Field of Search** D14/135, 136,
D14/156, 157, 160, 167, 257, 258; 369/75.1,
75.2, 77.1, 77.2

(56) **References Cited**

U.S. PATENT DOCUMENTS

D. 340,716 * 10/1993 Ito et al. D14/156

D. 383,461 * 9/1997 Ito et al. D14/188

D. 427,579 * 7/2000 Ito et al. D14/156

5,859,828 * 1/1999 Ishibashi 369/77.1

* cited by examiner

Primary Examiner—Nanda Bondade

(74) *Attorney, Agent, or Firm*—Leydig, Voit & Mayer, Ltd.

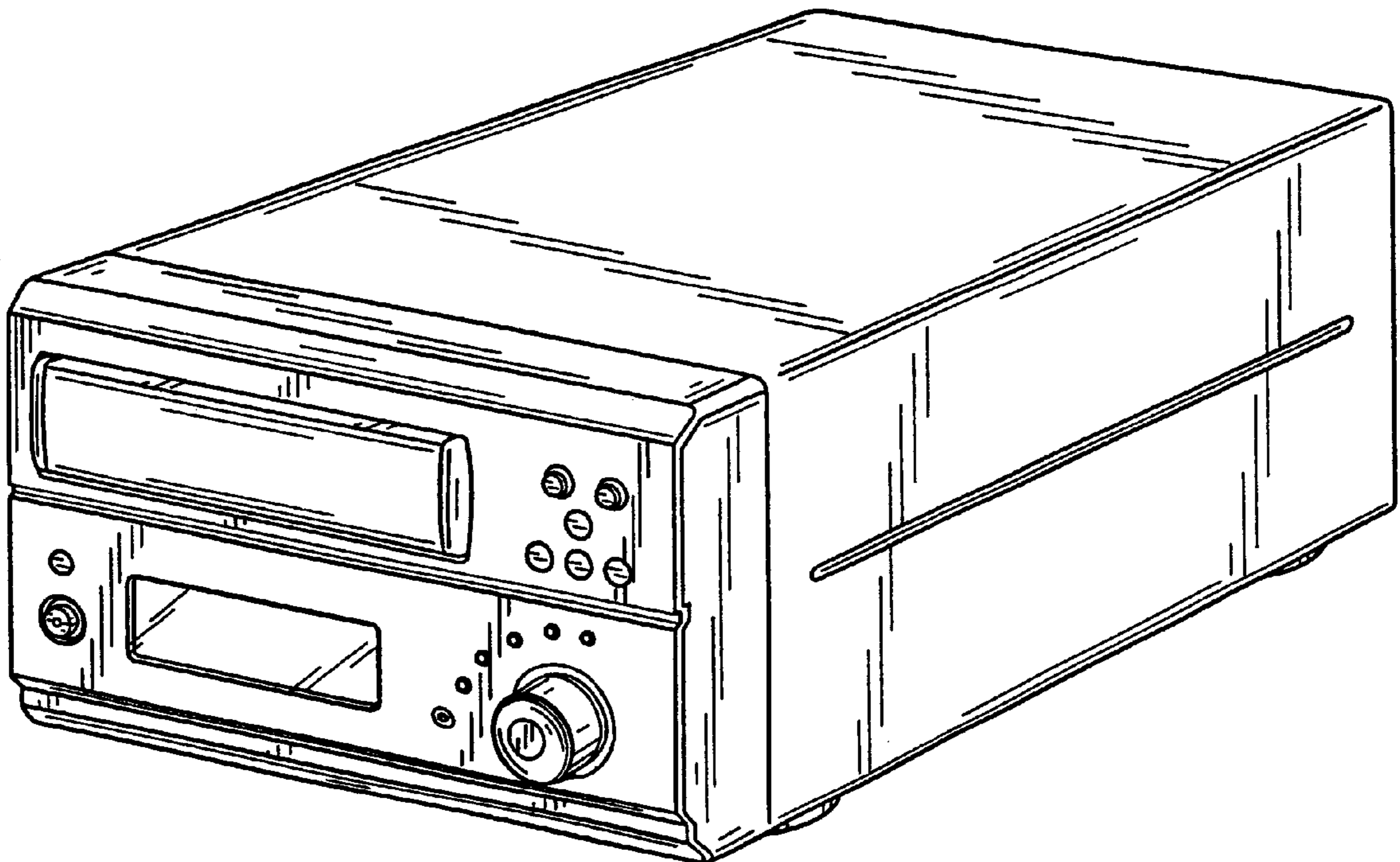
(57) **CLAIM**

I claim the ornamental design for a digital audio disk player, as shown and described.

DESCRIPTION

FIG. 1 is a perspective view of a digital audio disk player showing my new design;
FIG. 2 is a front view thereof;
FIG. 3 is a rear view thereof;
FIG. 4 is a left side view thereof;
FIG. 5 is a right side view thereof;
FIG. 6 is a top plan view thereof;
FIG. 7 is a bottom plan view thereof; and,
FIG. 8 is a sectional view taken along the line 8—8 on FIG. 2, with the inner mechanism omitted.

1 Claim, 8 Drawing Sheets



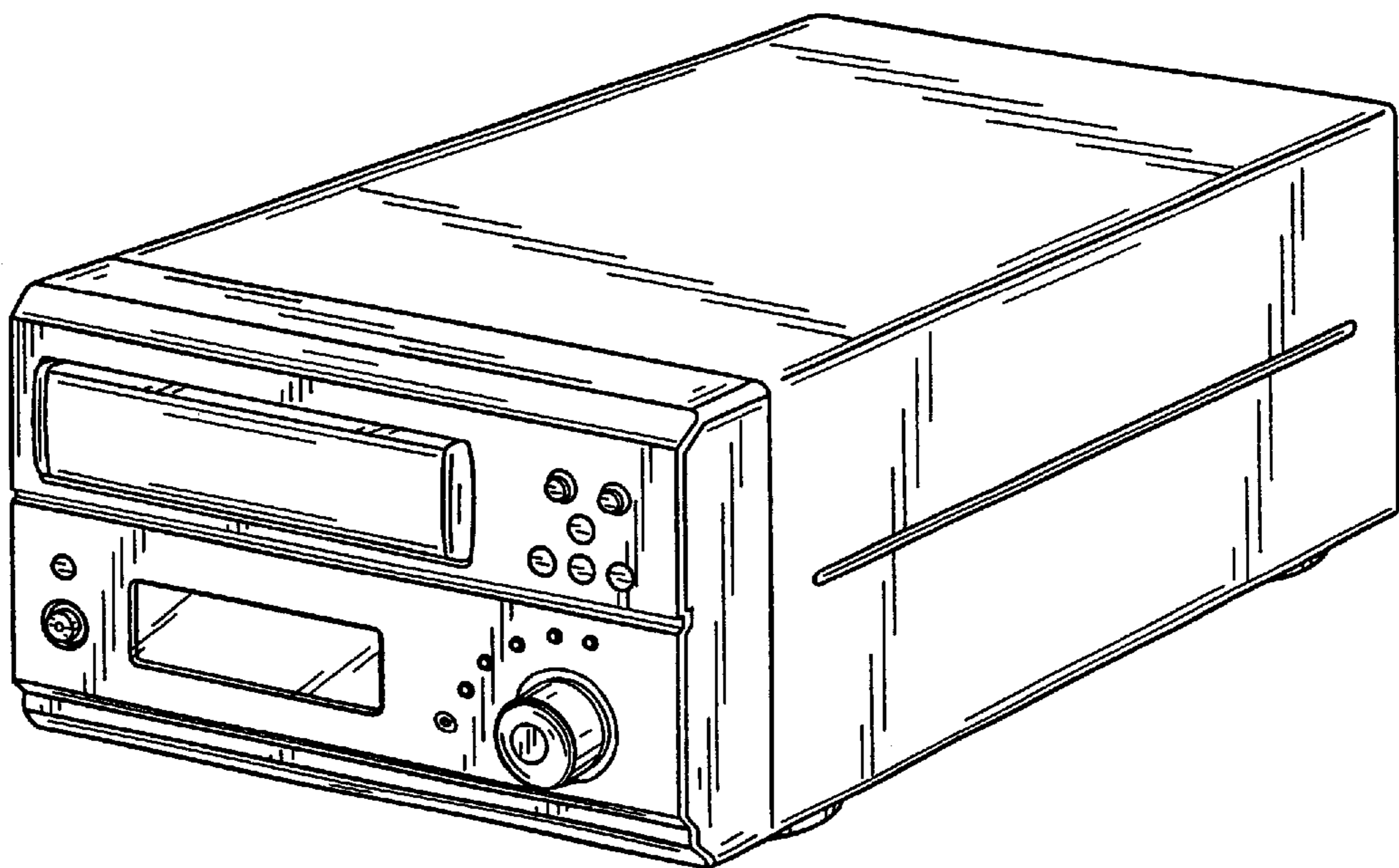


FIG. 1

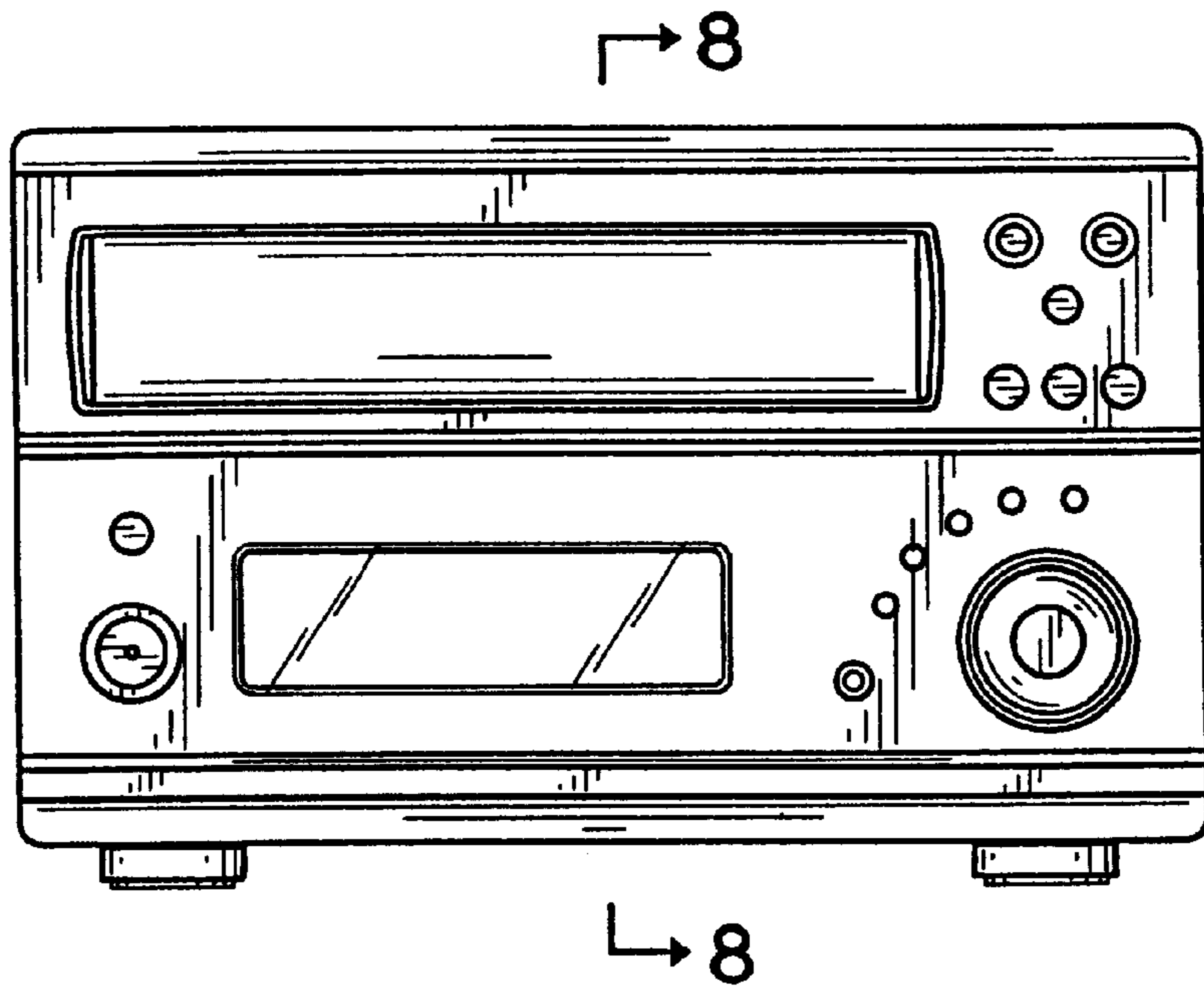


FIG. 2

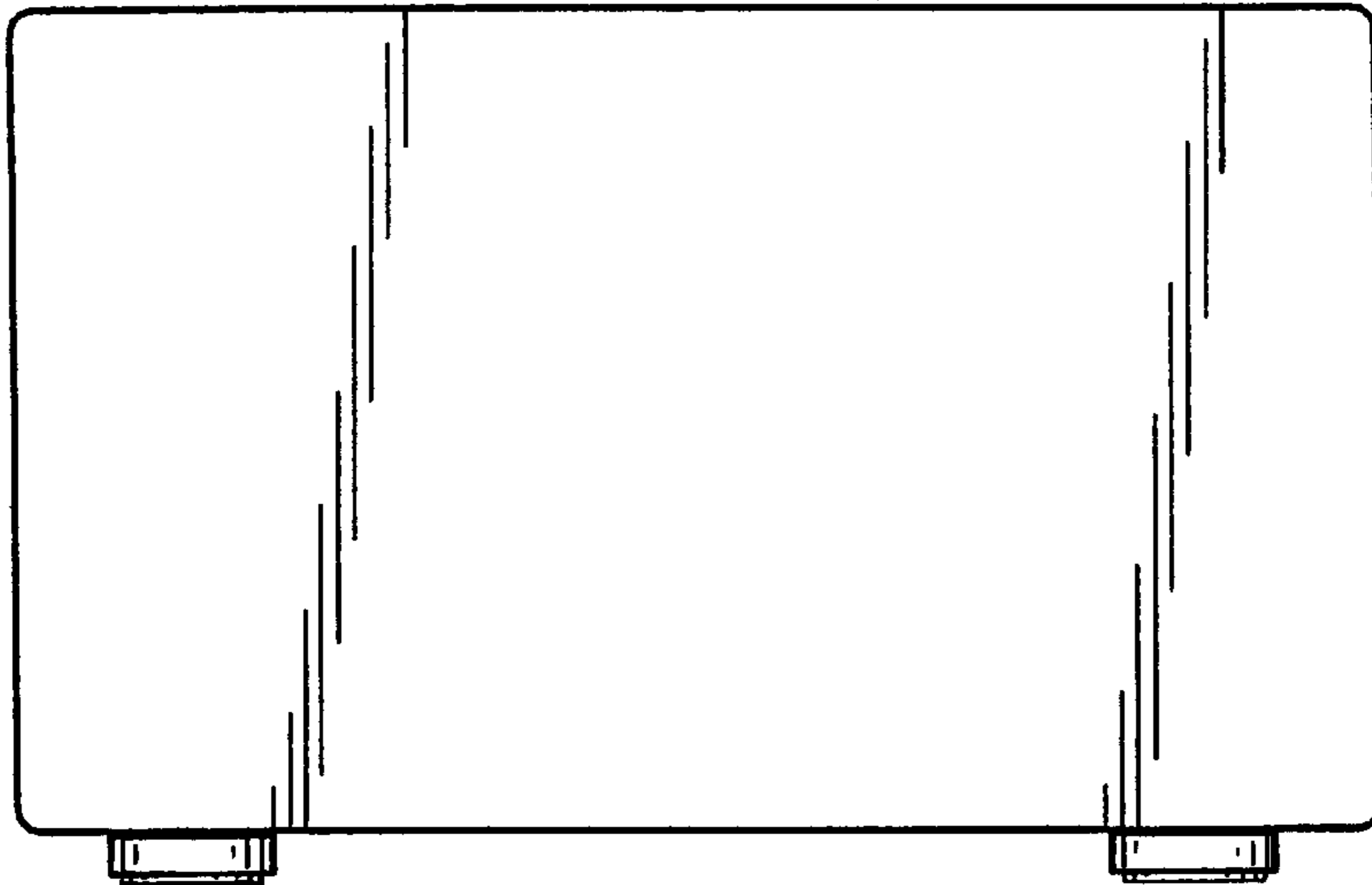


FIG. 3

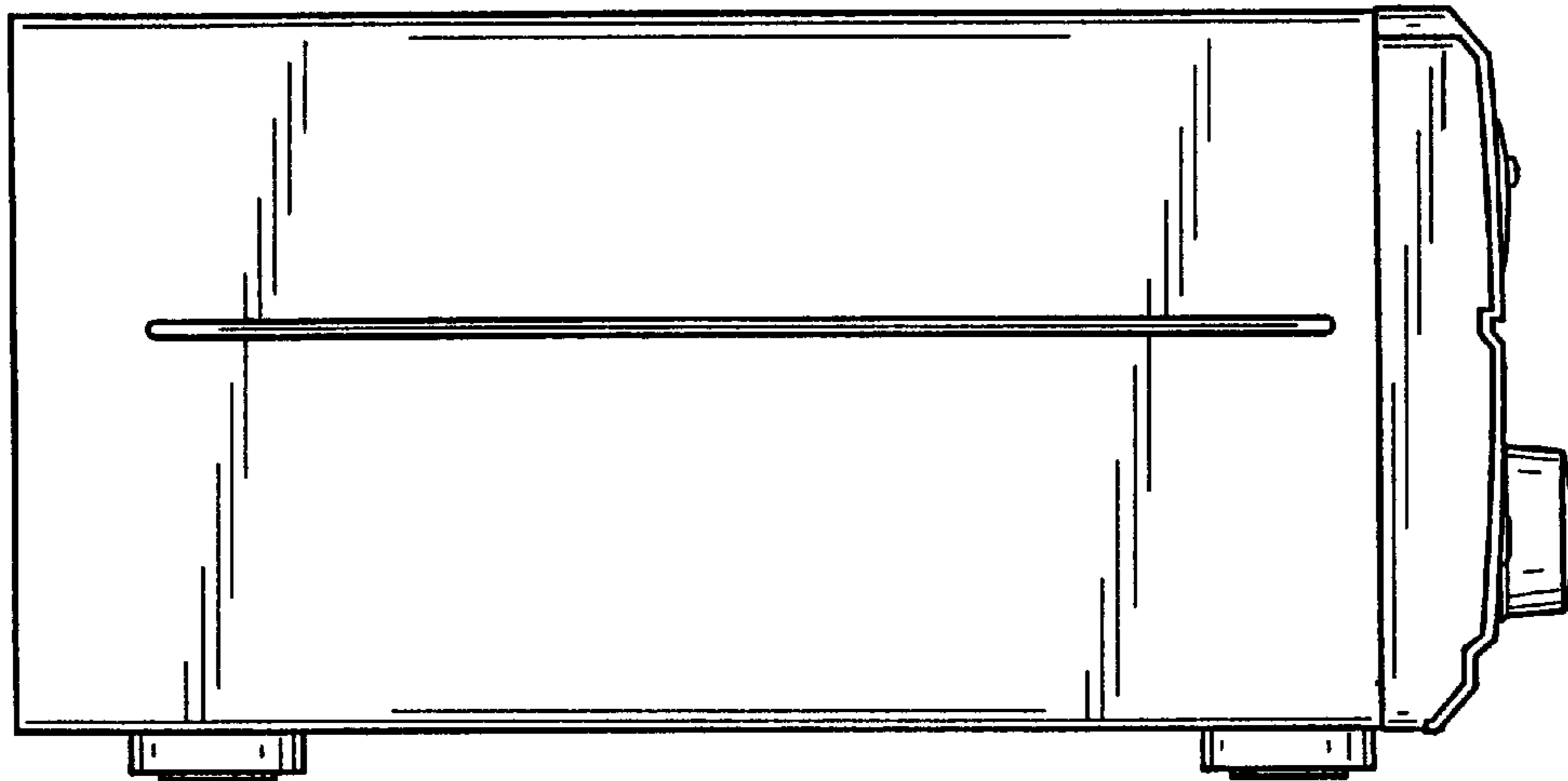


FIG. 4

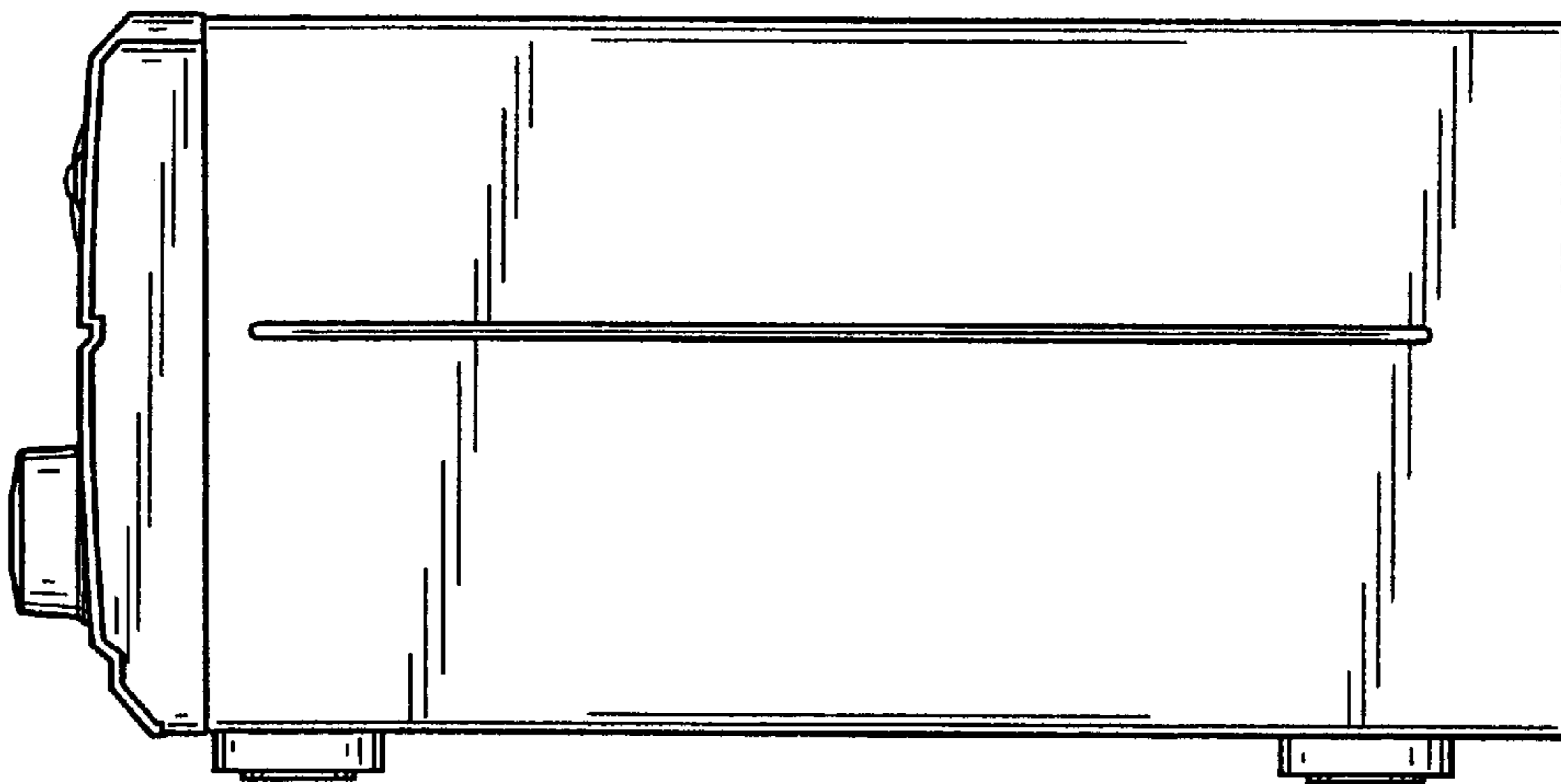


FIG. 5

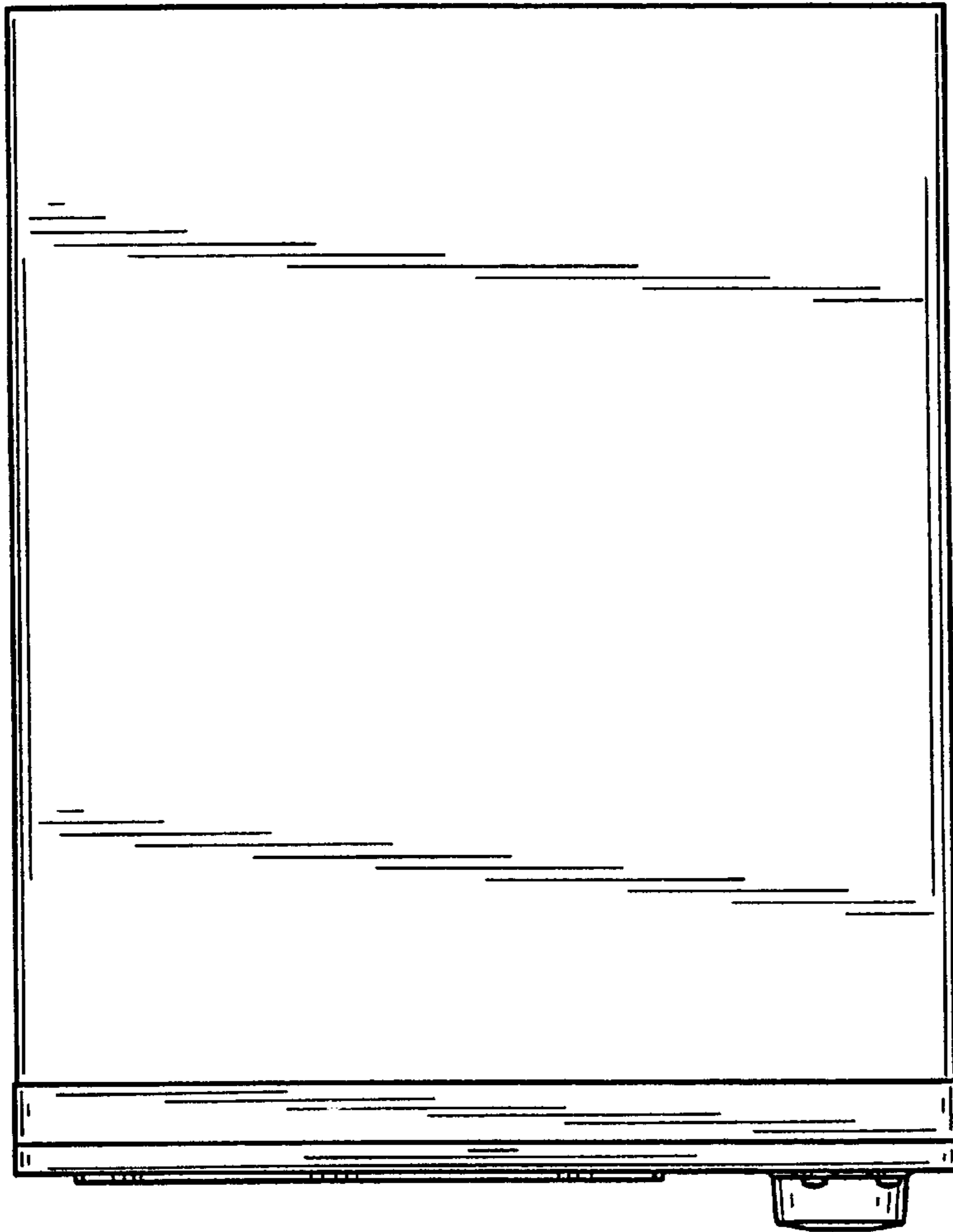


FIG. 6

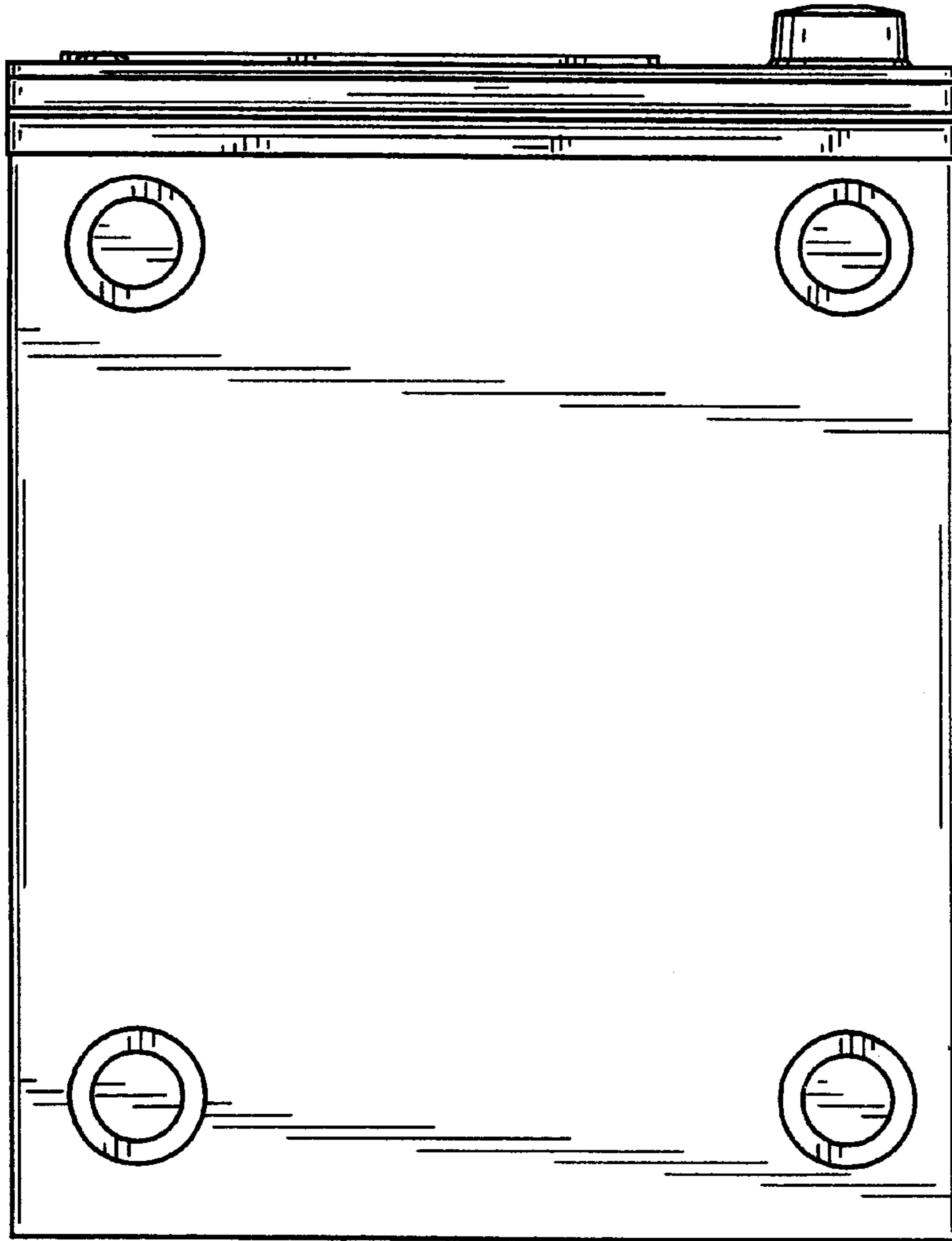


FIG. 7

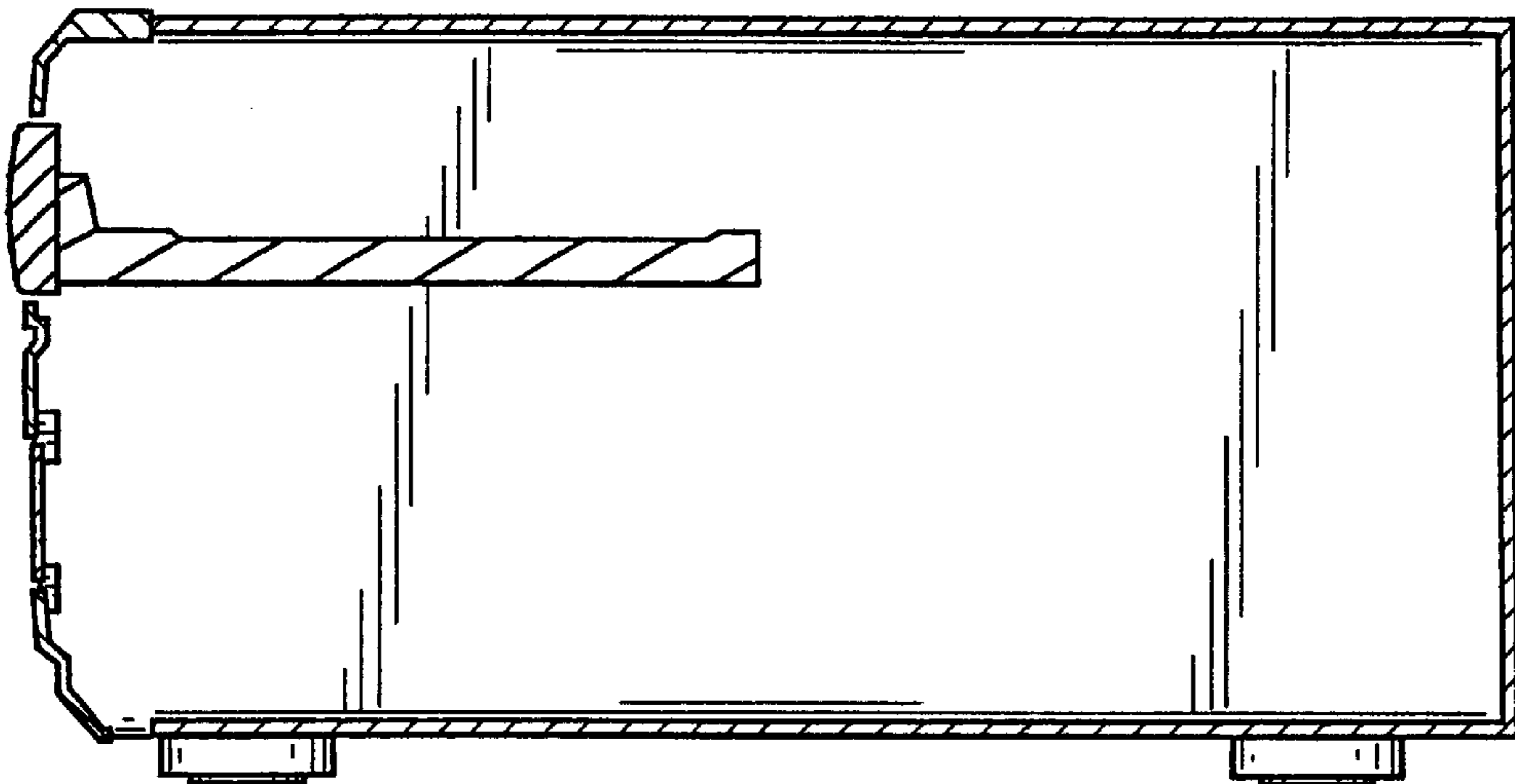


FIG. 8