



US00D448354B1

(12) **United States Design Patent**
Ito et al.

(10) **Patent No.:** **US D448,354 S**

(45) **Date of Patent:** **** Sep. 25, 2001**

(54) **DIGITAL VIDEO DISC PLAYER**

(75) Inventors: **Masafumi Ito; Shigeru Hasegawa;**
Tooru Katayama, all of Musashino
(JP)

(73) Assignee: **Teac Corporation**, Tokyo (JP)

(**) Term: **14 Years**

(21) Appl. No.: **29/138,962**

(22) Filed: **Mar. 22, 2001**

(30) **Foreign Application Priority Data**

Sep. 29, 2000 (JP) 12-027676

(51) **LOC (7) Cl.** **14-01**

(52) **U.S. Cl.** **D14/136**

(58) **Field of Search** D14/135-136,
D14/157, 160, 167-168, 197-198, 257,
258; 360/71, 137; 369/75.1, 75.2, 77.1,
77.2

(56) **References Cited**

U.S. PATENT DOCUMENTS

D. 428,404 * 7/2000 Ito et al. D14/156

D. 431,546 * 10/2000 Ito et al. D14/167
D. 438,852 * 3/2001 Makino et al. D14/136
4,758,910 * 7/1988 Kaneko et al. 360/137
5,859,828 * 1/1999 Ishibashi 369/77.1

* cited by examiner

Primary Examiner—Nanda Bondade

(74) *Attorney, Agent, or Firm*—Ladas & Parry

(57) **CLAIM**

The ornamental design for a digital video disc player, as shown and described.

DESCRIPTION

FIG. 1 is a front view of a digital video disc player showing our new design;

FIG. 2 is a top view thereof;

FIG. 3 is a bottom view thereof;

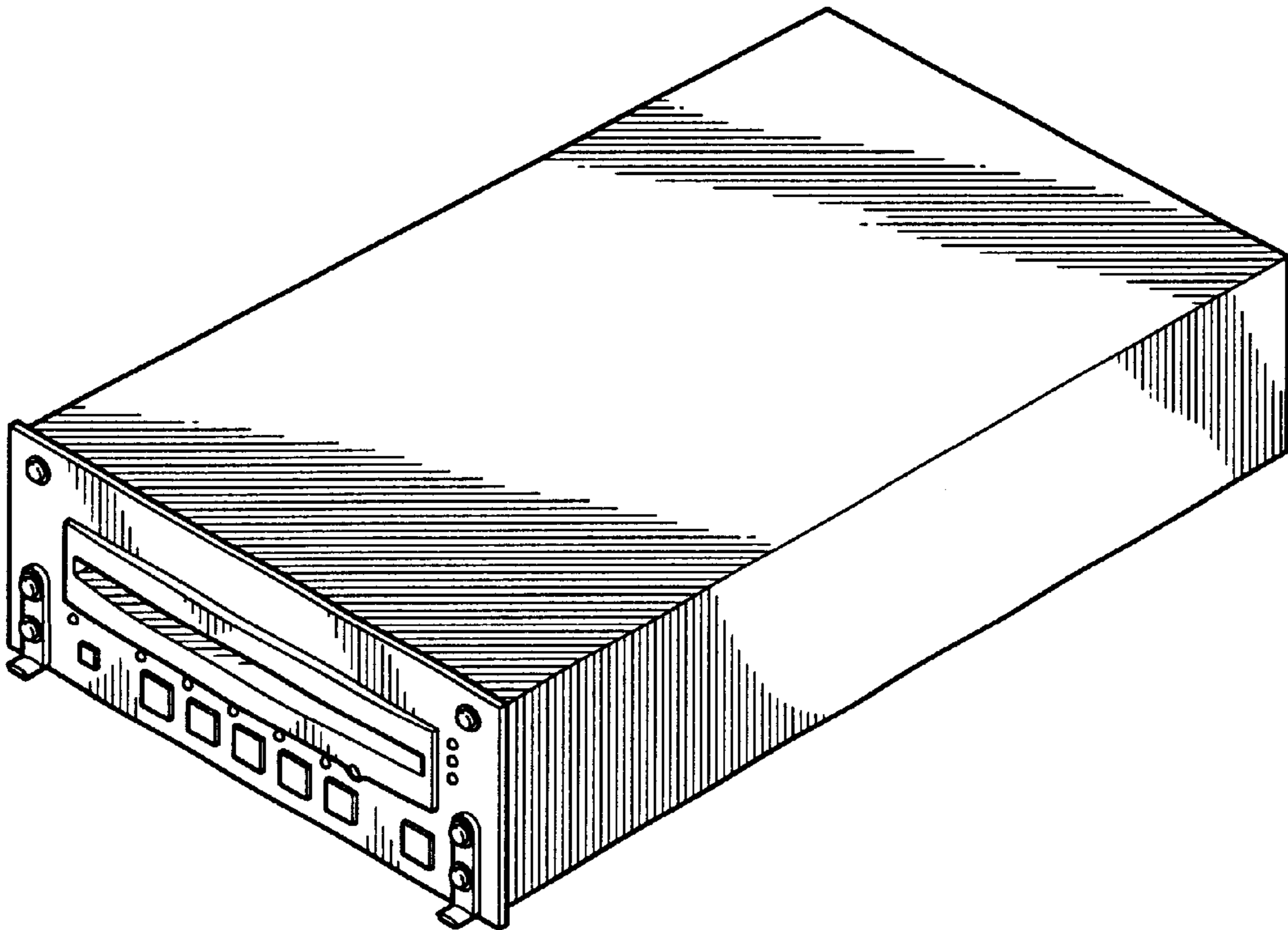
FIG. 4 is a left side view thereof;

FIG. 5 is a right side view thereof;

FIG. 6 is a rear view thereof; and,

FIG. 7 is a perspective view thereof.

1 Claim, 3 Drawing Sheets



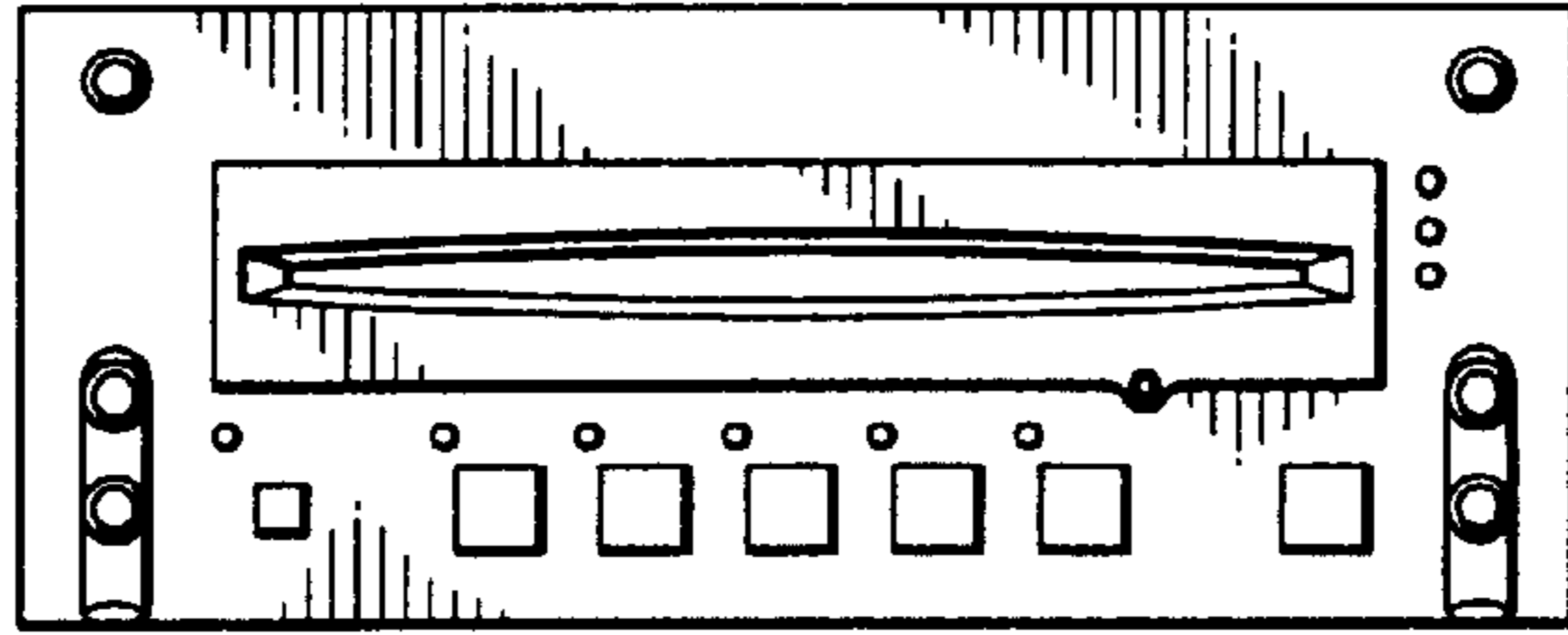


FIG. 1

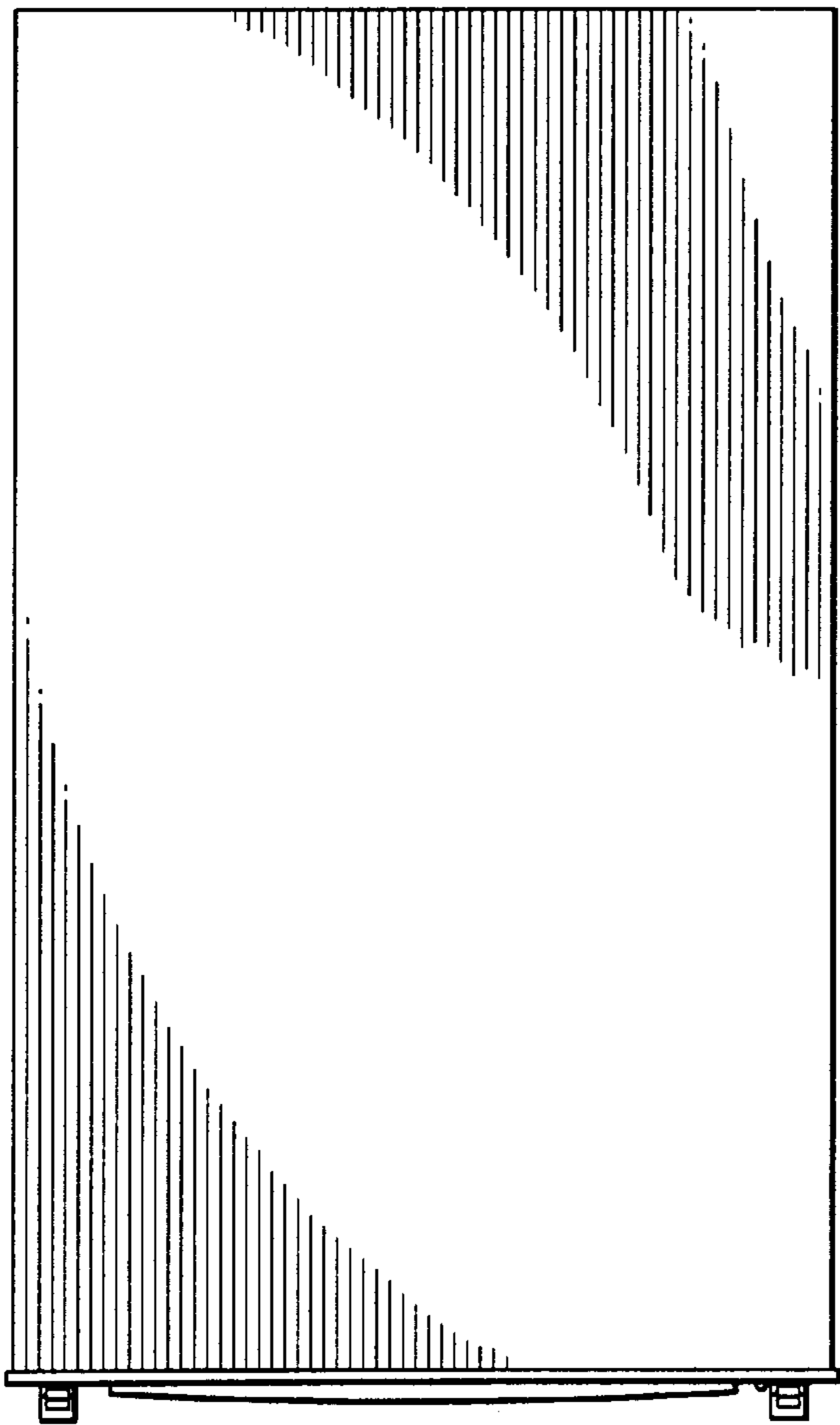


FIG. 2

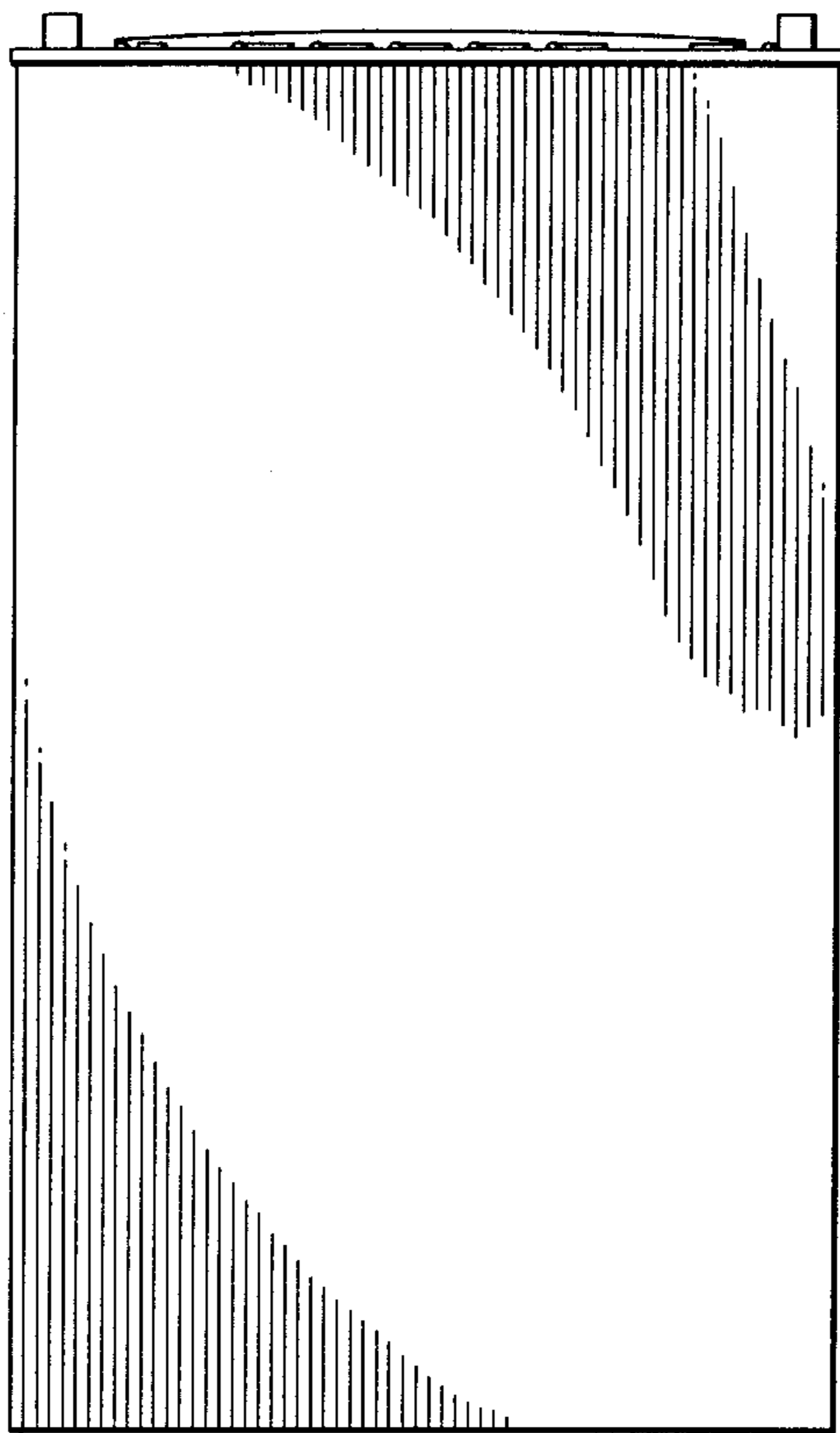


FIG. 3

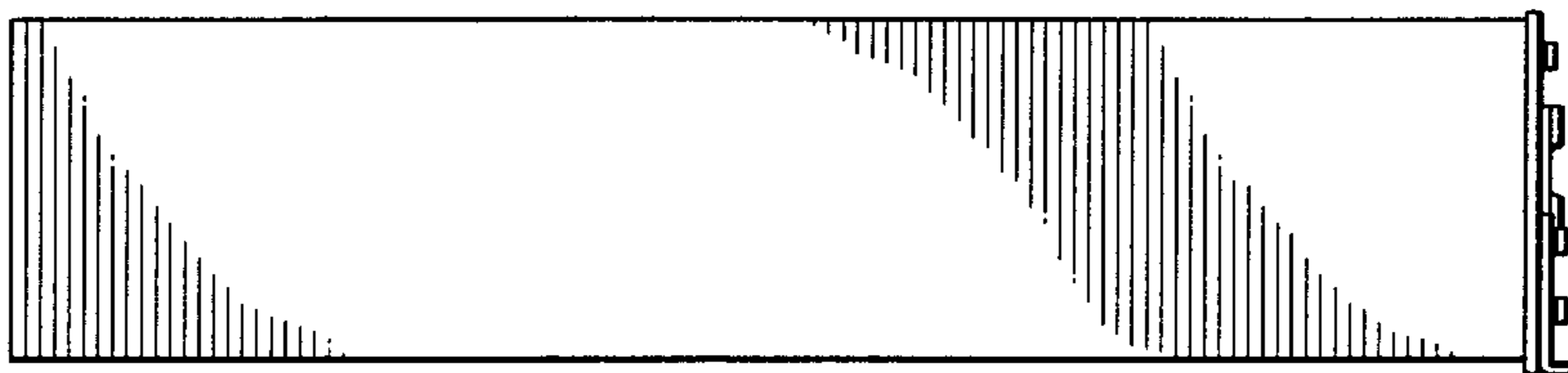


FIG. 4

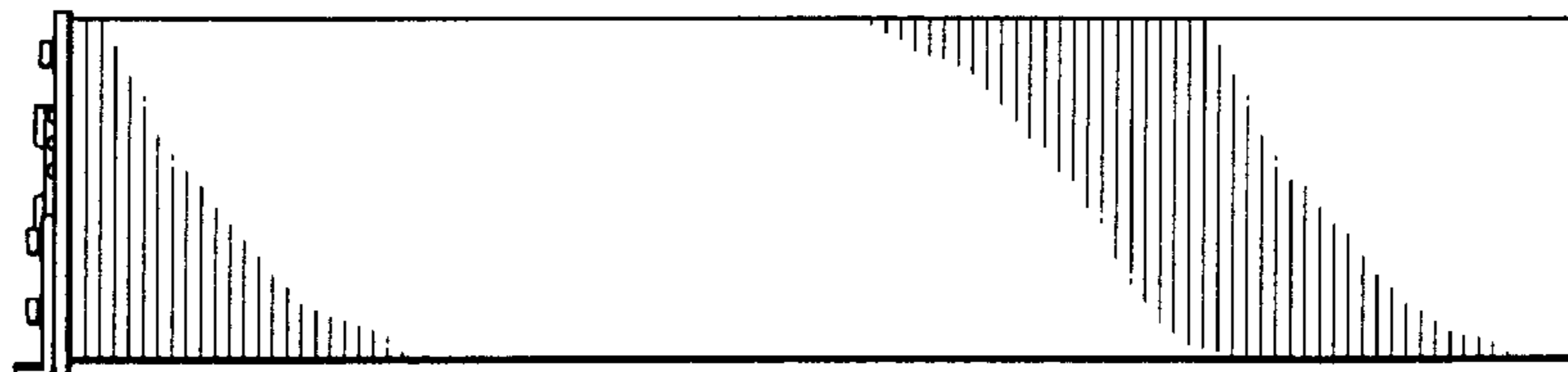


FIG. 5

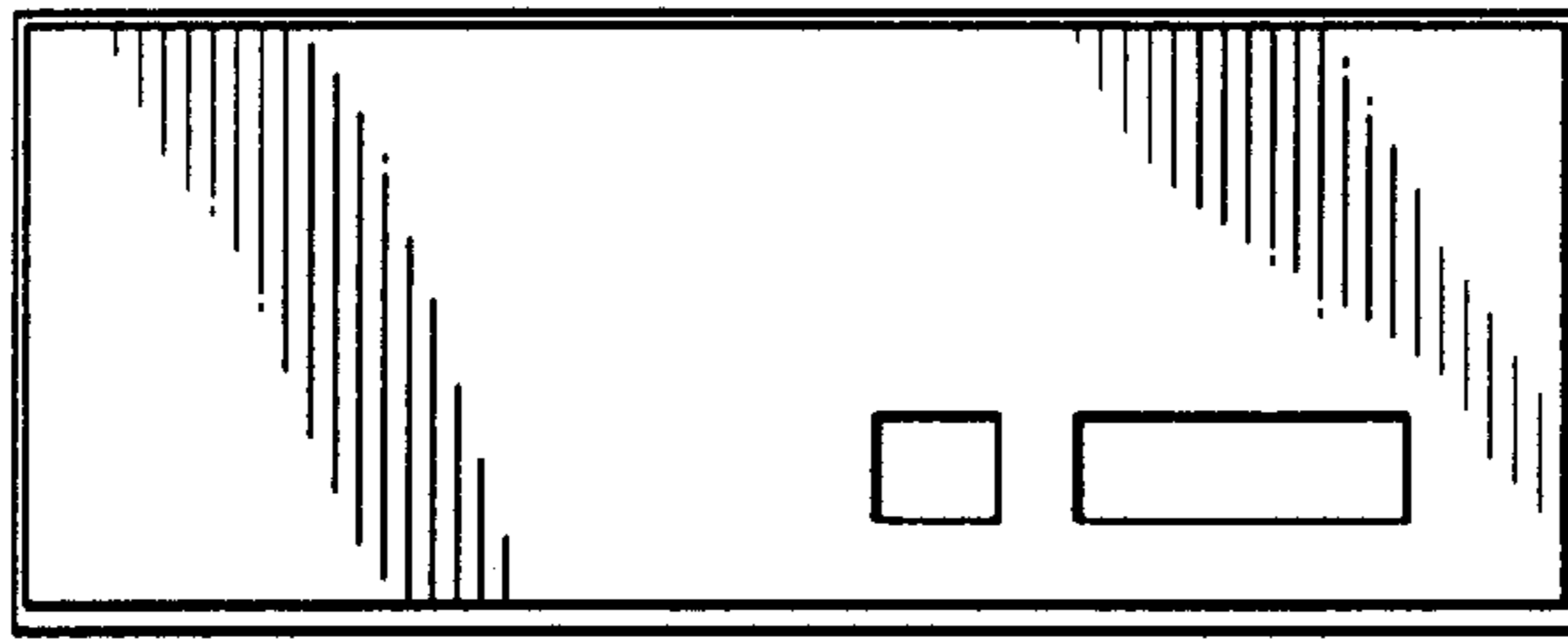


FIG. 6

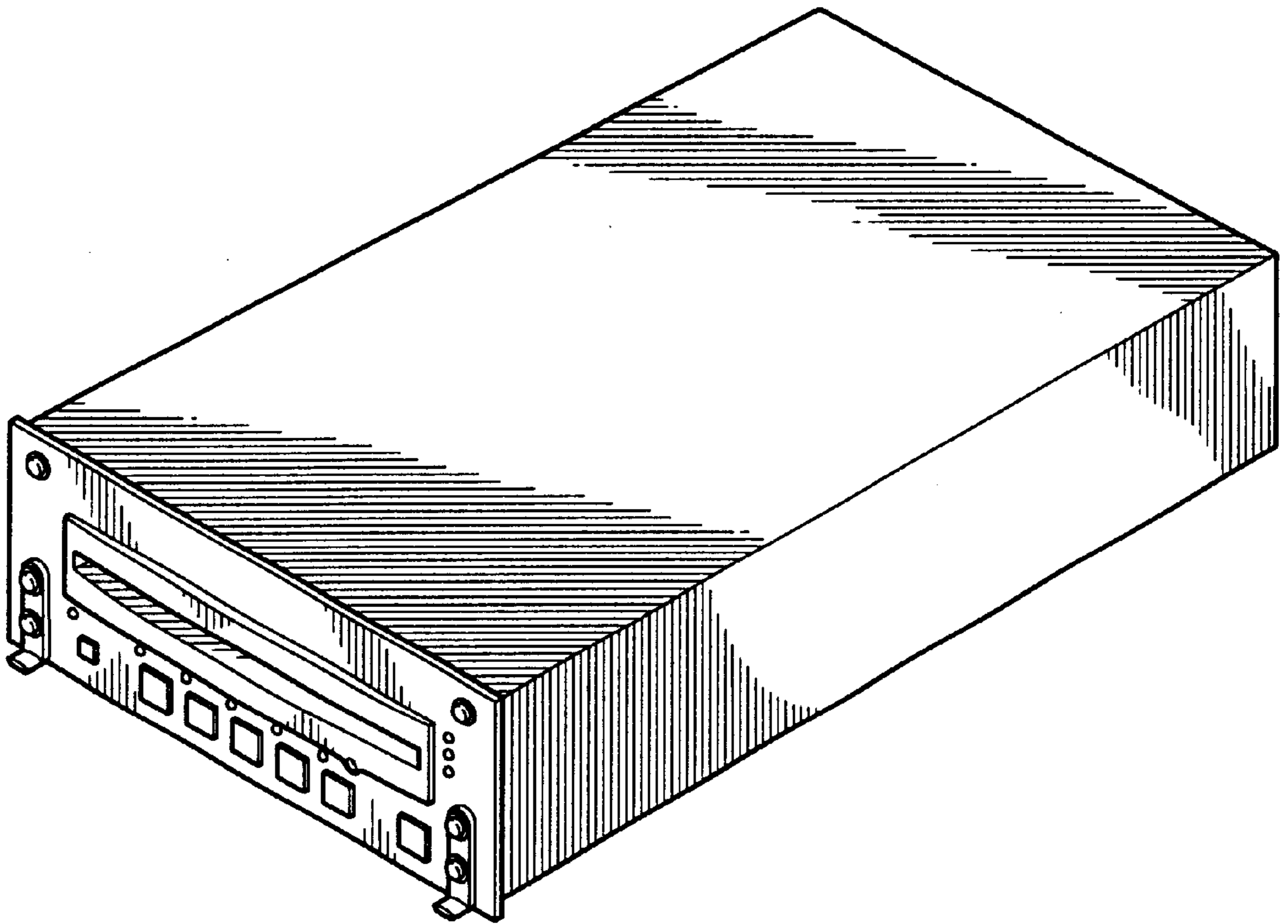


FIG. 7

UNITED STATES PATENT AND TRADEMARK OFFICE
CERTIFICATE OF CORRECTION

PATENT NO. : Des 448,354 S
DATED : September 25, 2001
INVENTOR(S) : Ito et al.

Page 1 of 1

It is certified that error appears in the above-identified patent and that said Letters Patent is hereby corrected as shown below:

Title page.

Item [30] replace "12-027676" with -- 2000-027676 --

Signed and Sealed this

Twenty-eighth Day of May, 2002

Attest:



Attesting Officer

JAMES E. ROGAN
Director of the United States Patent and Trademark Office