



US00D448353B1

(12) **United States Design Patent**  
**Chang**

(10) **Patent No.:** **US D448,353 S**

(45) **Date of Patent:** **\*\* Sep. 25, 2001**

(54) **SET-TOP BOX**

(76) **Inventor:** **Peter Chang**, No.12, Lung Shan 2nd Street, San Ho Shun, Ta-Ya, Taichung (TW)

(\*\*) **Term:** **14 Years**

(21) **Appl. No.:** **29/122,878**

(22) **Filed:** **May 4, 2000**

(51) **LOC (7) Cl.** ..... **14-03**

(52) **U.S. Cl.** ..... **D14/125**

(58) **Field of Search** ..... D14/357, 358, D14/496, 125, 188, 239, 242, 432; D13/110, 184; 312/223.1; 455/6.2; 348/10, 11

(56) **References Cited**

**U.S. PATENT DOCUMENTS**

- D. 267,949 \* 2/1983 Hisatune ..... D14/188
- D. 322,963 \* 1/1992 Kittirutsunetorn ..... D14/242
- D. 386,174 \* 11/1997 Boyd et al. .... D14/125
- D. 402,641 \* 12/1998 Heijnen ..... D13/184
- D. 416,562 \* 11/1999 Larson et al. .... D14/242
- D. 417,223 \* 11/1999 Groves et al. .... D14/242

- D. 420,676 \* 2/2000 Wang et al. .... D14/242
- D. 424,528 \* 5/2000 Dernehl ..... D13/184
- D. 425,902 \* 5/2000 Rathbun et al. .... D14/240
- 6,061,232 \* 5/2000 Ho ..... 312/223.1 X

\* cited by examiner

*Primary Examiner*—Ted Shooman

*Assistant Examiner*—C Tuttle

(74) *Attorney, Agent, or Firm*—Pro-Techtor International Services

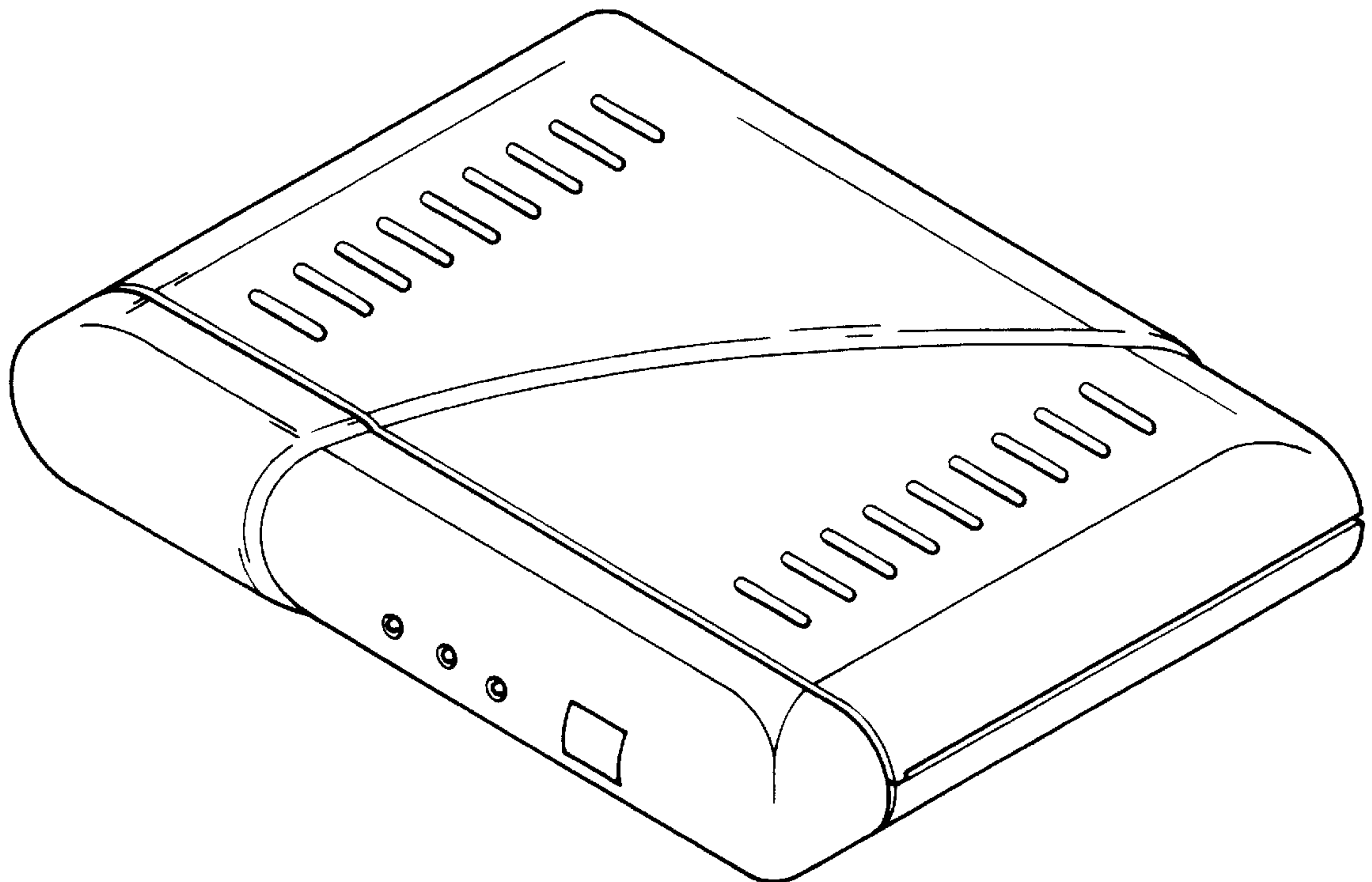
(57) **CLAIM**

The ornamental design for a set-top box, as shown and described.

**DESCRIPTION**

FIG. 1 is a perspective view showing my new design; FIG. 2 is a front view thereof; FIG. 3 is a rear view thereof; FIG. 4 is a left view thereof; FIG. 5 is a right view thereof; FIG. 6 is a top view thereof; and, FIG. 7 is a bottom view thereof.

**1 Claim, 5 Drawing Sheets**



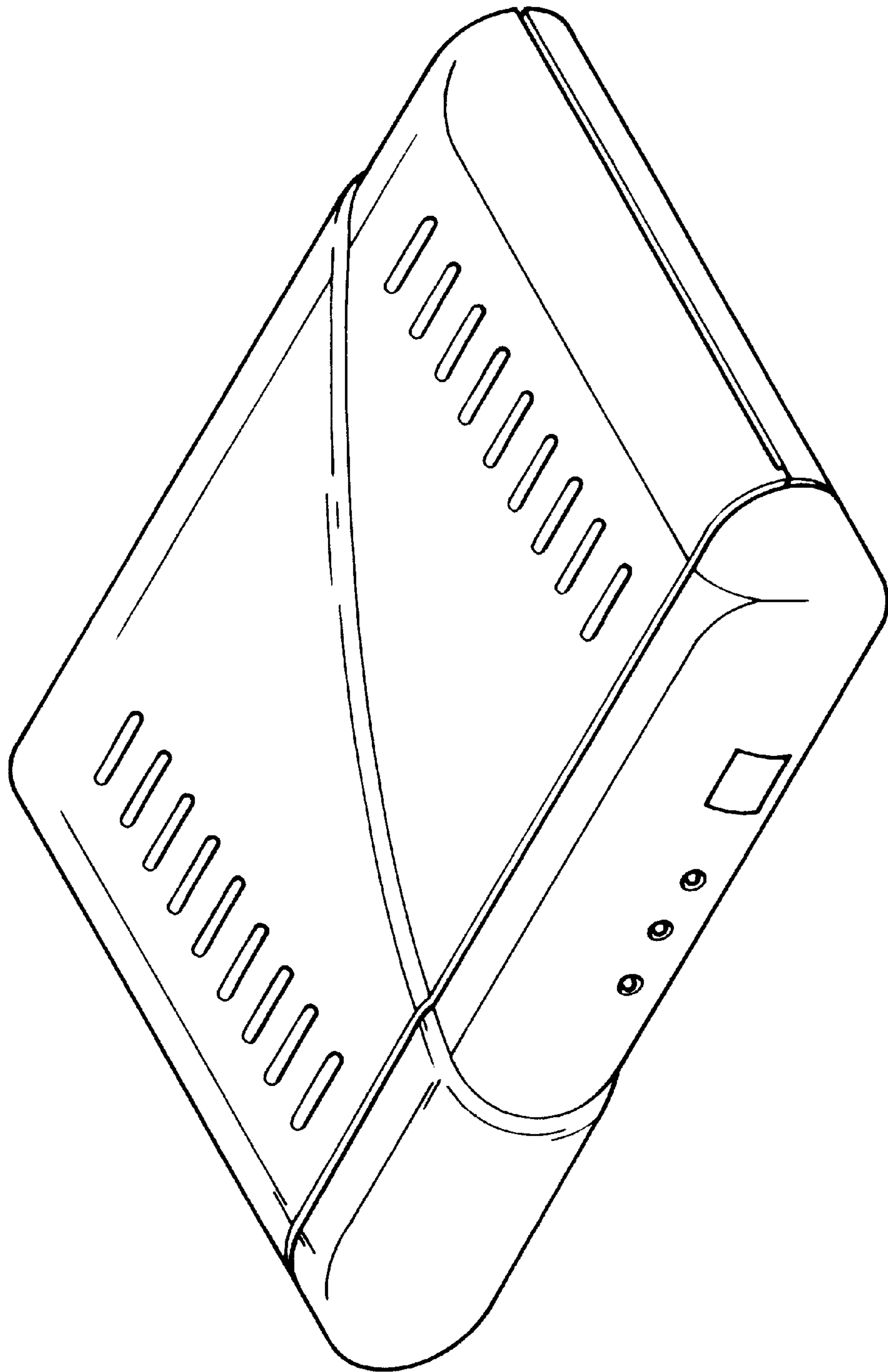


FIG. 1

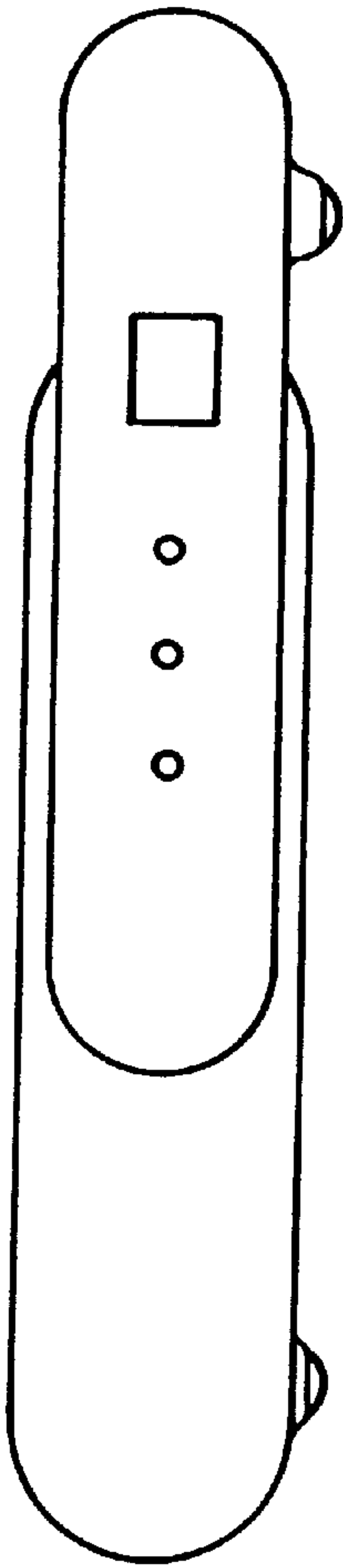


FIG. 2

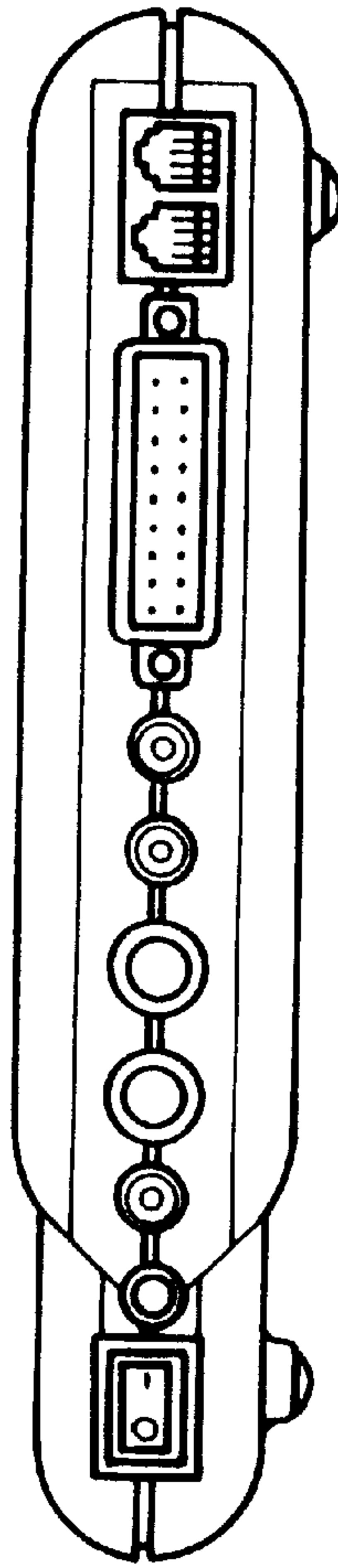
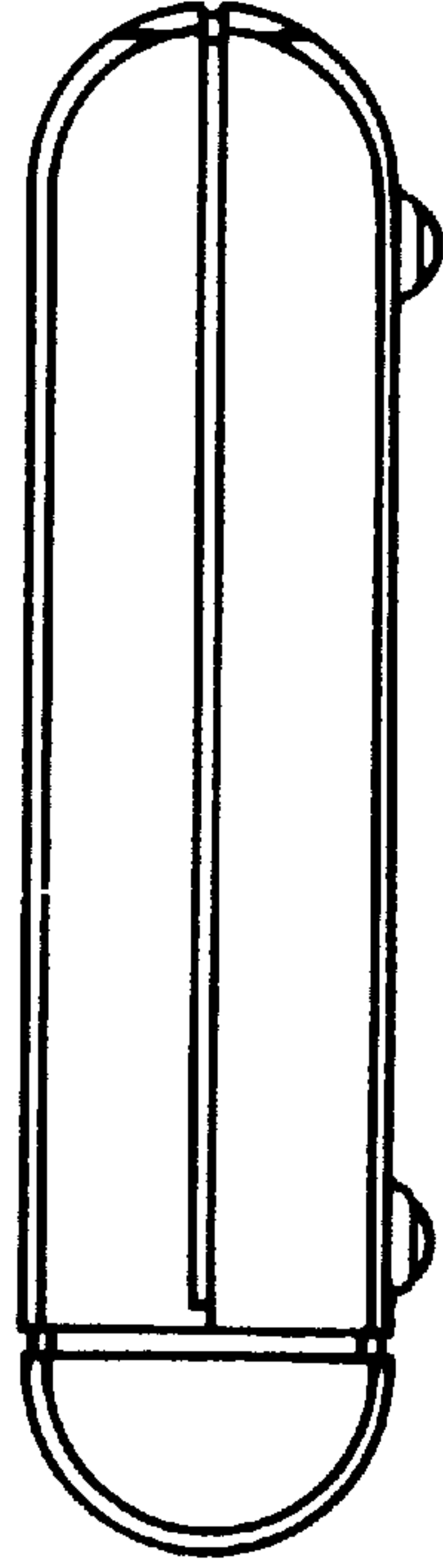
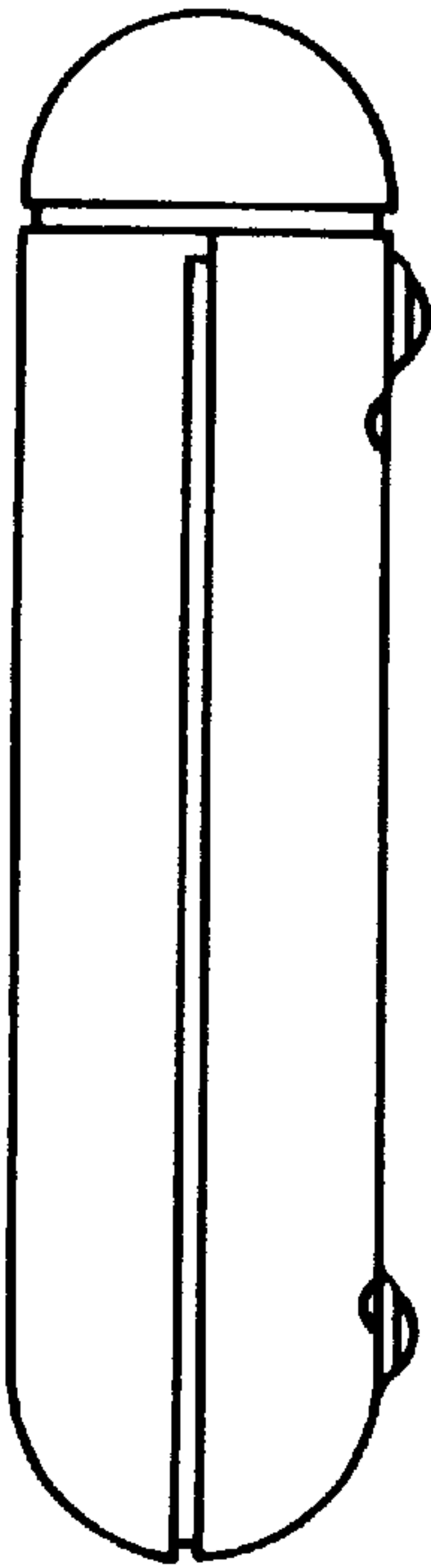


FIG. 3



**FIG. 5**



**FIG. 4**

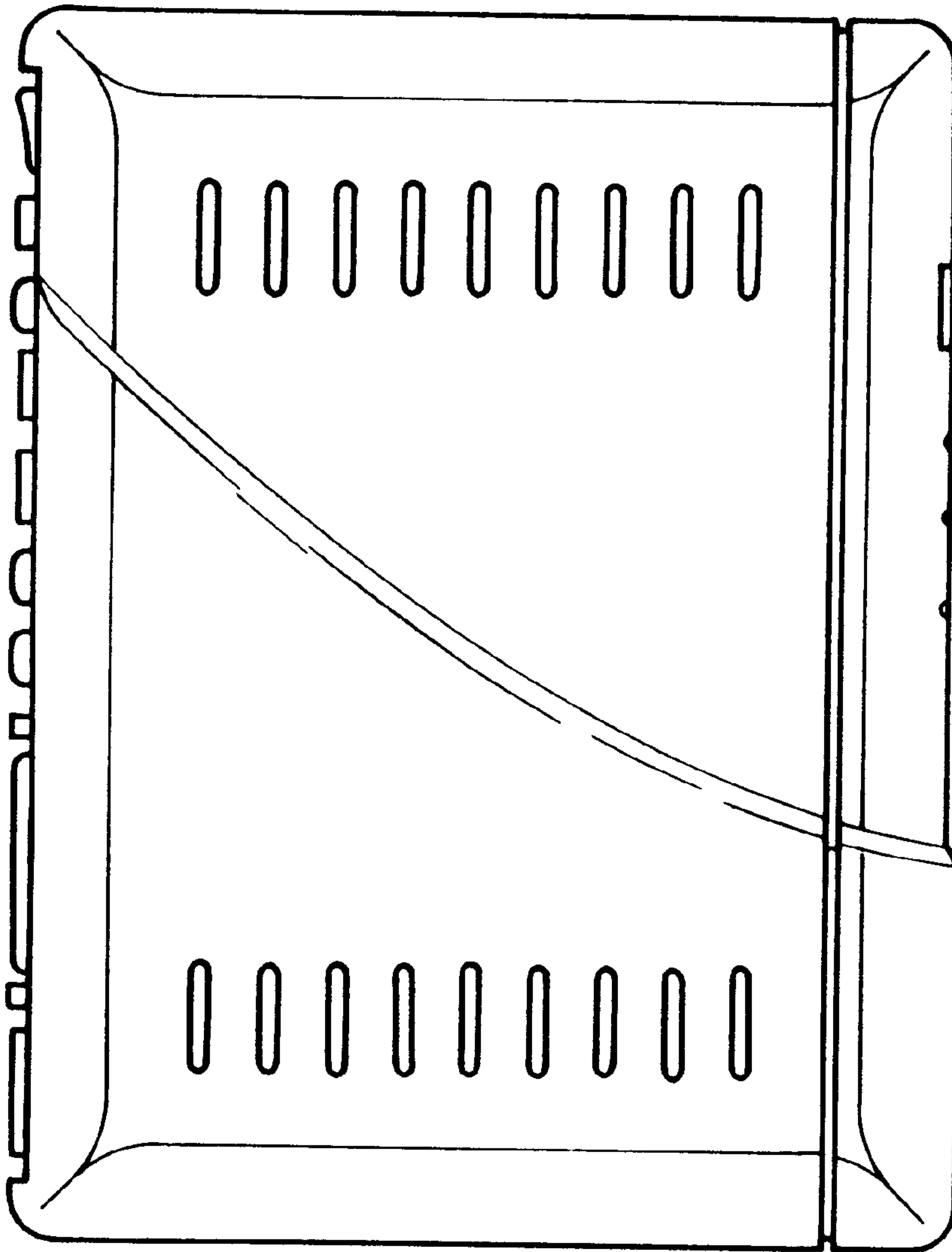


FIG. 6

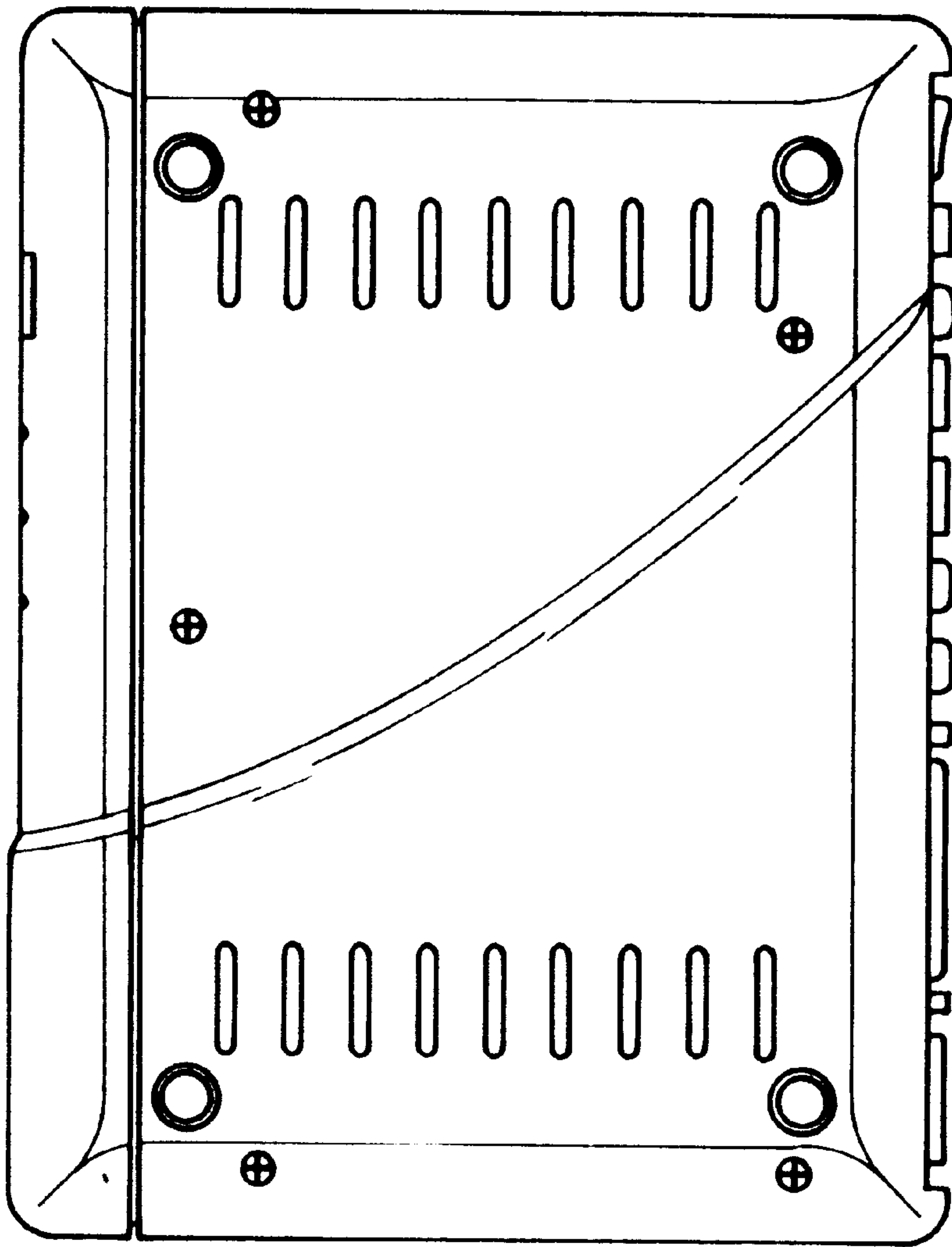


FIG. 7