



US00D448351B1

(12) **United States Design Patent**  
**Dubosc**

(10) **Patent No.:** **US D448,351 S**

(45) **Date of Patent:** **\*\* Sep. 25, 2001**

(54) **COVER FOR A MULTIFUNCTIONAL SOCKET**

4,981,439 \* 1/1991 Piedmont ..... 439/135  
5,150,808 \* 9/1992 Hamilton ..... 220/DIG. 19 X  
5,542,852 \* 8/1996 Hsueh ..... 439/135

(75) **Inventor:** **Christophe Marie-Bernard Dubosc,**  
**Pantin (FR)**

\* cited by examiner

(73) **Assignee:** **Valeo Vision, Bobigny Cedex (FR)**

*Primary Examiner*—Jennifer Rivard

(\*\*) **Term:** **14 Years**

(74) *Attorney, Agent, or Firm*—Morgan & Finnegan, L.L.P.

(21) **Appl. No.:** **29/138,142**

(22) **Filed:** **Mar. 7, 2001**

(57) **CLAIM**

I claim the ornamental design for a cover for a multifunctional socket, as shown.

(30) **Foreign Application Priority Data**

Nov. 6, 2000 (FR) ..... 00 6612

**DESCRIPTION**

(51) **LOC (7) Cl.** ..... **13-03**

FIG. 1 is a perspective view illustrating the top, front and right side of a design for the cover for a multifunctional socket;

(52) **U.S. Cl.** ..... **D13/156**

FIG. 2 is a perspective view illustrating the bottom, front and left side thereof;

(58) **Field of Search** ..... D13/154, 156;  
439/135, 147-149, 226, 892, 893; 174/66,  
67; 220/241, 242, DIG. 19

FIG. 3 is a top plan view thereof;

FIG. 4 is right side elevational view thereof, with the opposite side being a mirror image;

FIG. 5 is front elevational view thereof;

FIG. 6 is a rear elevational view thereof; and,

FIG. 7 is a bottom plan view thereof.

(56) **References Cited**

**U.S. PATENT DOCUMENTS**

4,671,587 \* 6/1987 Lerner et al. .... 439/135 X

**1 Claim, 4 Drawing Sheets**

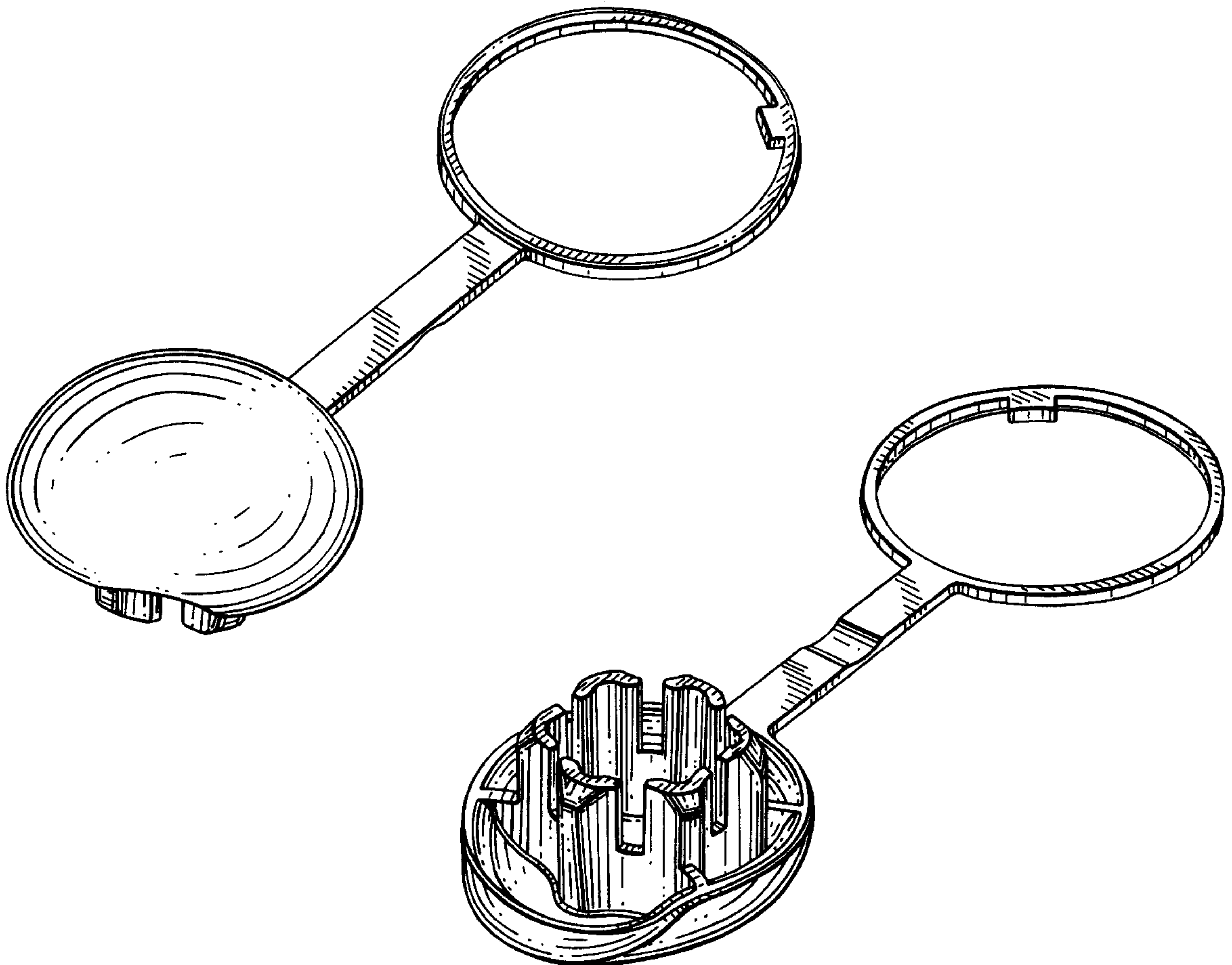


FIG. 1

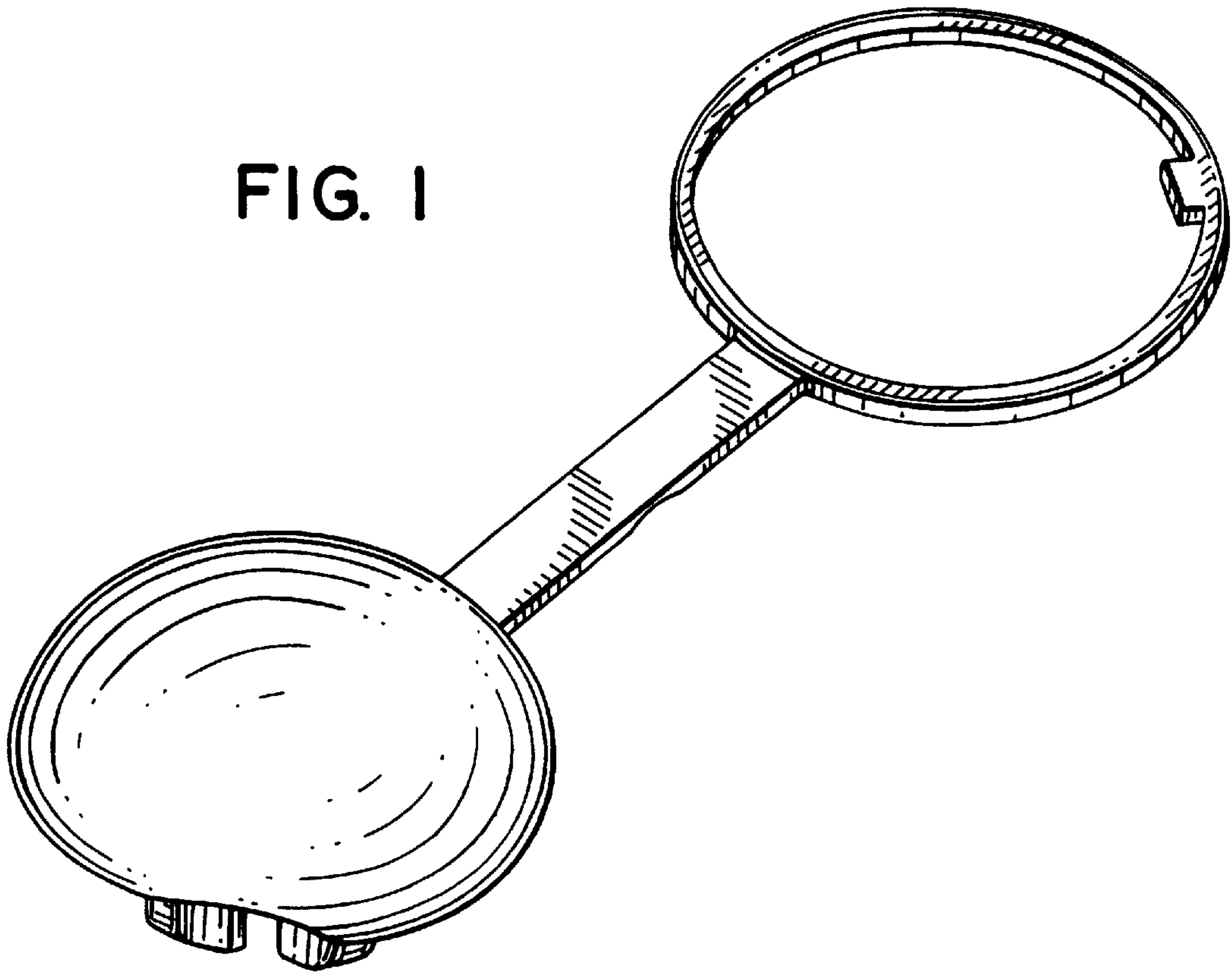
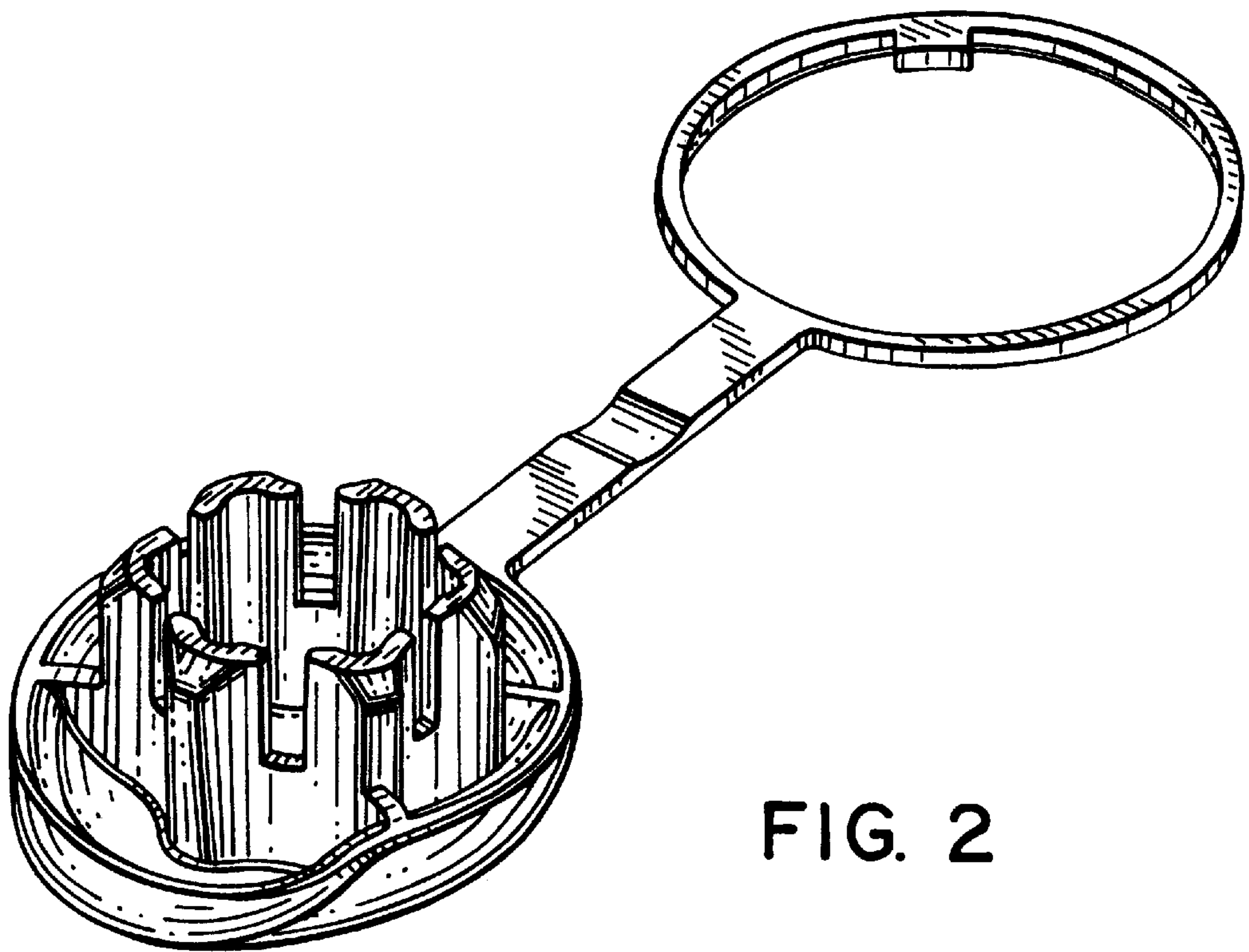


FIG. 2



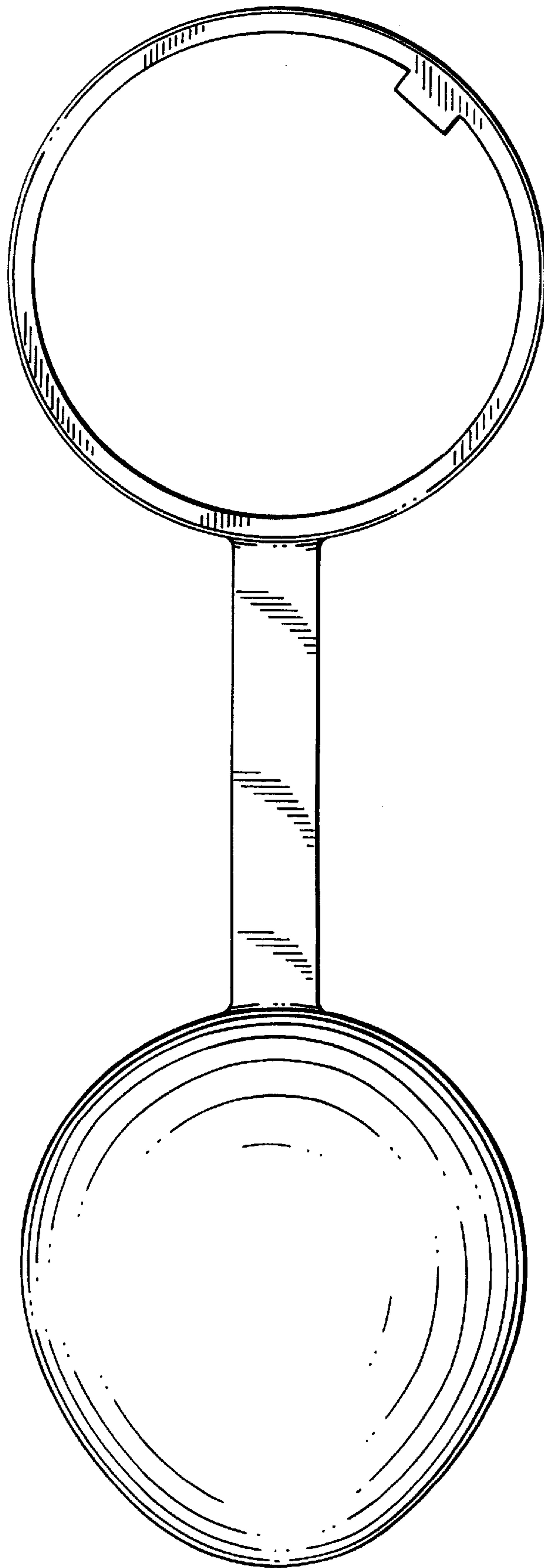


FIG. 3

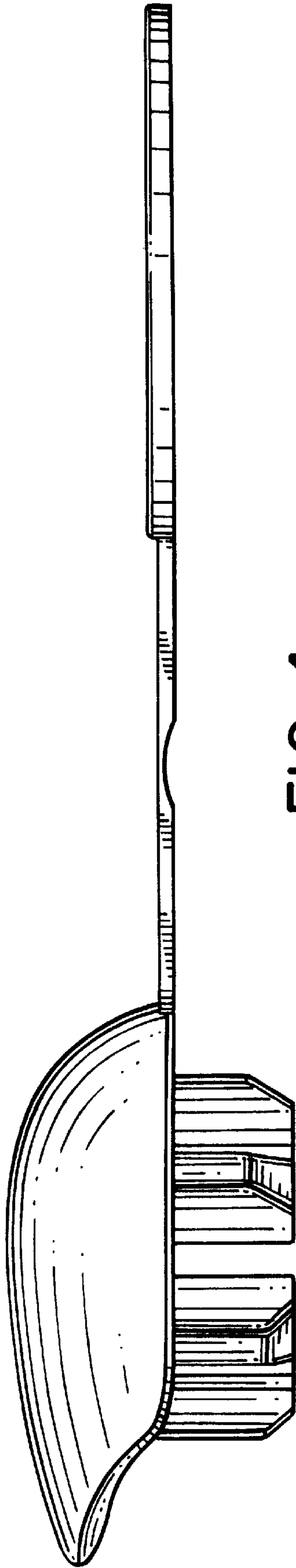


FIG. 4

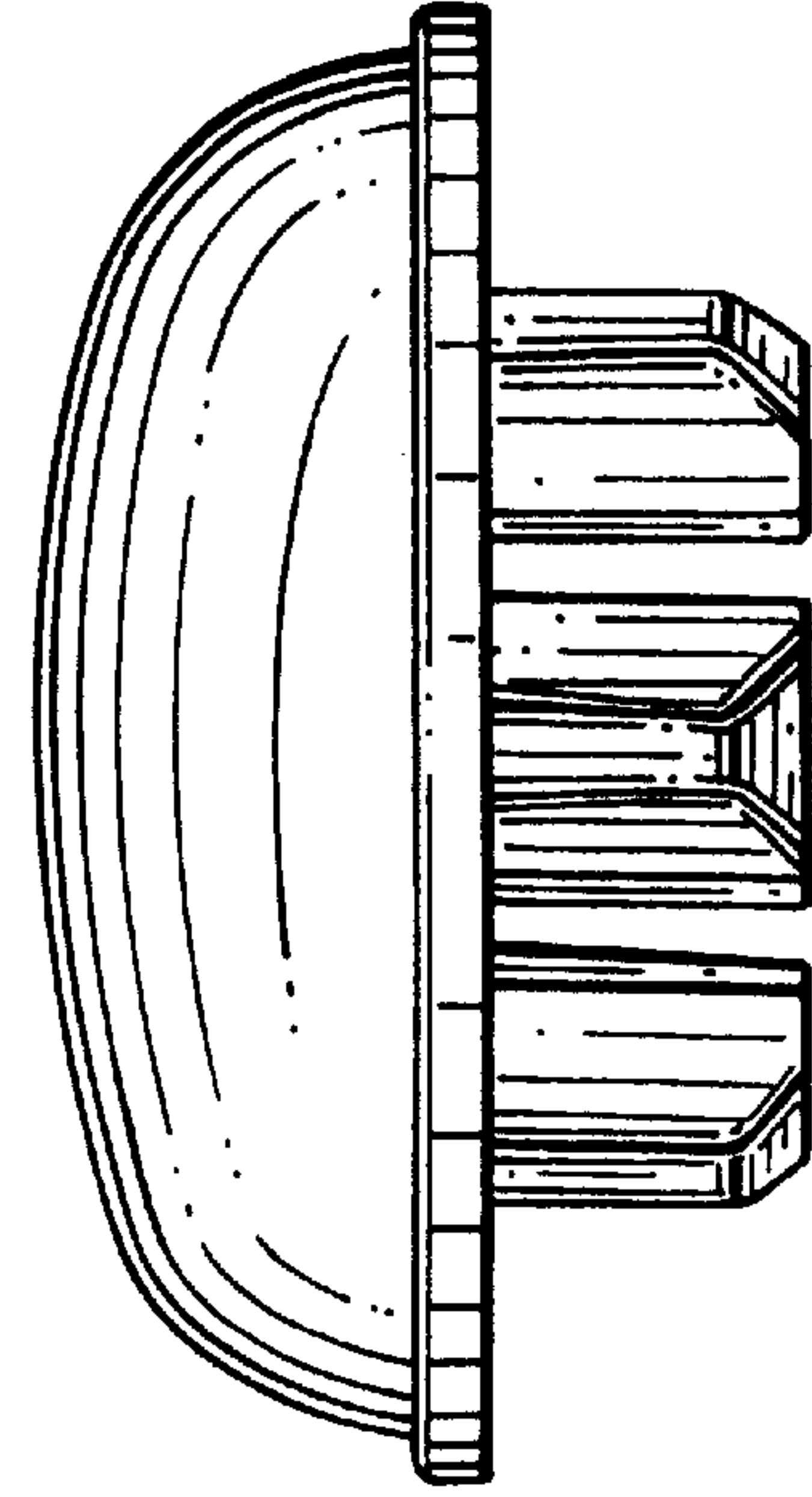


FIG. 6

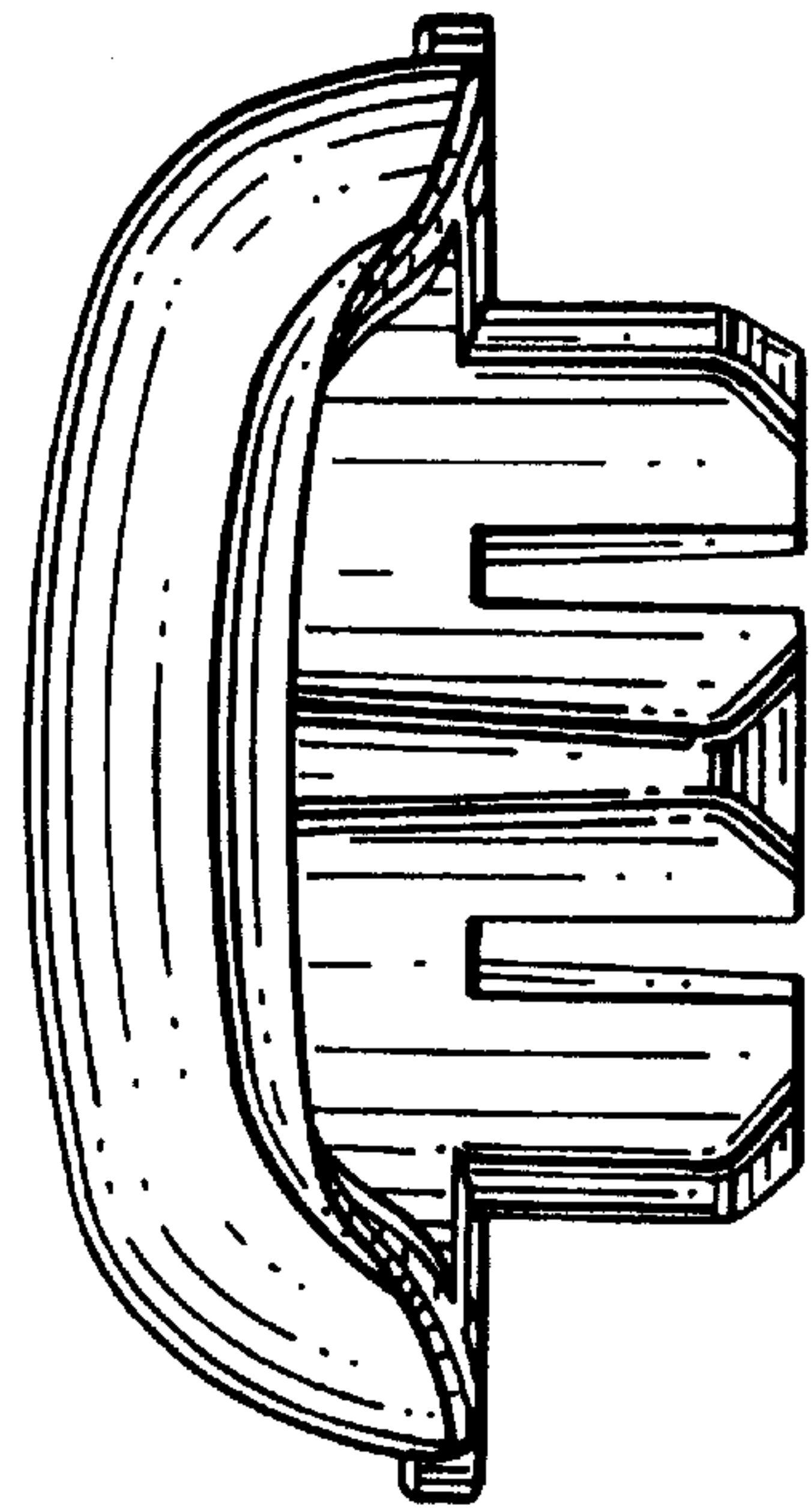


FIG. 5



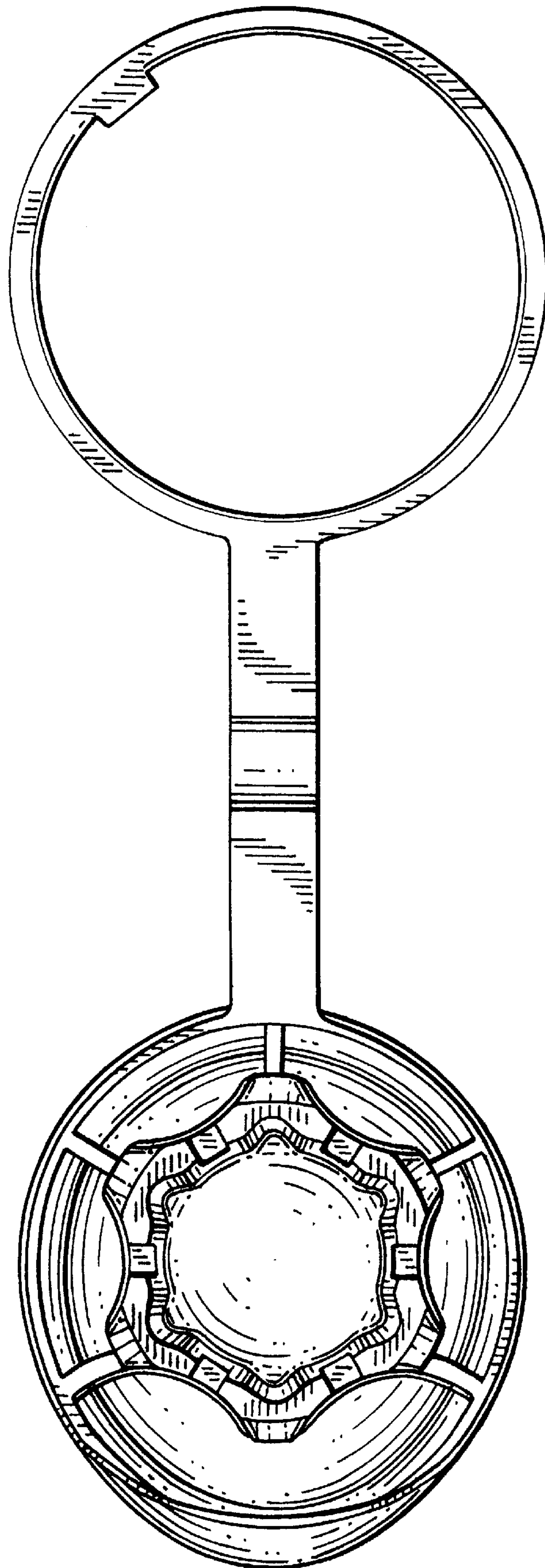


FIG. 7