



US00D448350B1

(12) **United States Design Patent**
Bentz et al.

(10) **Patent No.:** **US D448,350 S**

(45) **Date of Patent:** **** Sep. 25, 2001**

(54) **COVER FOR A WALL MOUNTED MEDIA CONVERTER HOUSING**

6,218,615 * 4/2001 Canonico 174/50

* cited by examiner

(75) Inventors: **Craig A. Bentz**, Bloomington; **Vern Loch**, Prior Lake; **Joseph Coffey**, Burnsville, all of MN (US)

Primary Examiner—Alan P. Douglas

Assistant Examiner—Jennifer Rivard

(74) *Attorney, Agent, or Firm*—Merchant & Gould P.C.

(73) Assignee: **ADC Telecommunications, Inc.**, Minnetonka, MN (US)

(57) **CLAIM**

(**) Term: **14 Years**

The ornamental design for a cover for a wall mounted media converter housing, as shown and described.

(21) Appl. No.: **29/127,690**

DESCRIPTION

(22) Filed: **Aug. 10, 2000**

FIG. 1 is a perspective view of a cover for a wall mounted media converter housing;

(51) **LOC (7) Cl.** **13-03**

(52) **U.S. Cl.** **D13/152**

(58) **Field of Search** 174/50, 48, 52.1, 174/52.4, 58, 65 R; D14/240; D13/152, 154, 156, 184, 177; 220/3.2, 3.3, 241

FIG. 2 is a front elevational view of the cover shown in FIG. 1;

FIG. 3 is a back elevational view of the cover shown in FIG. 1;

FIG. 4 is a right elevational view of the cover shown in FIG. 1;

FIG. 5 is a left elevational view of the cover shown in FIG. 1;

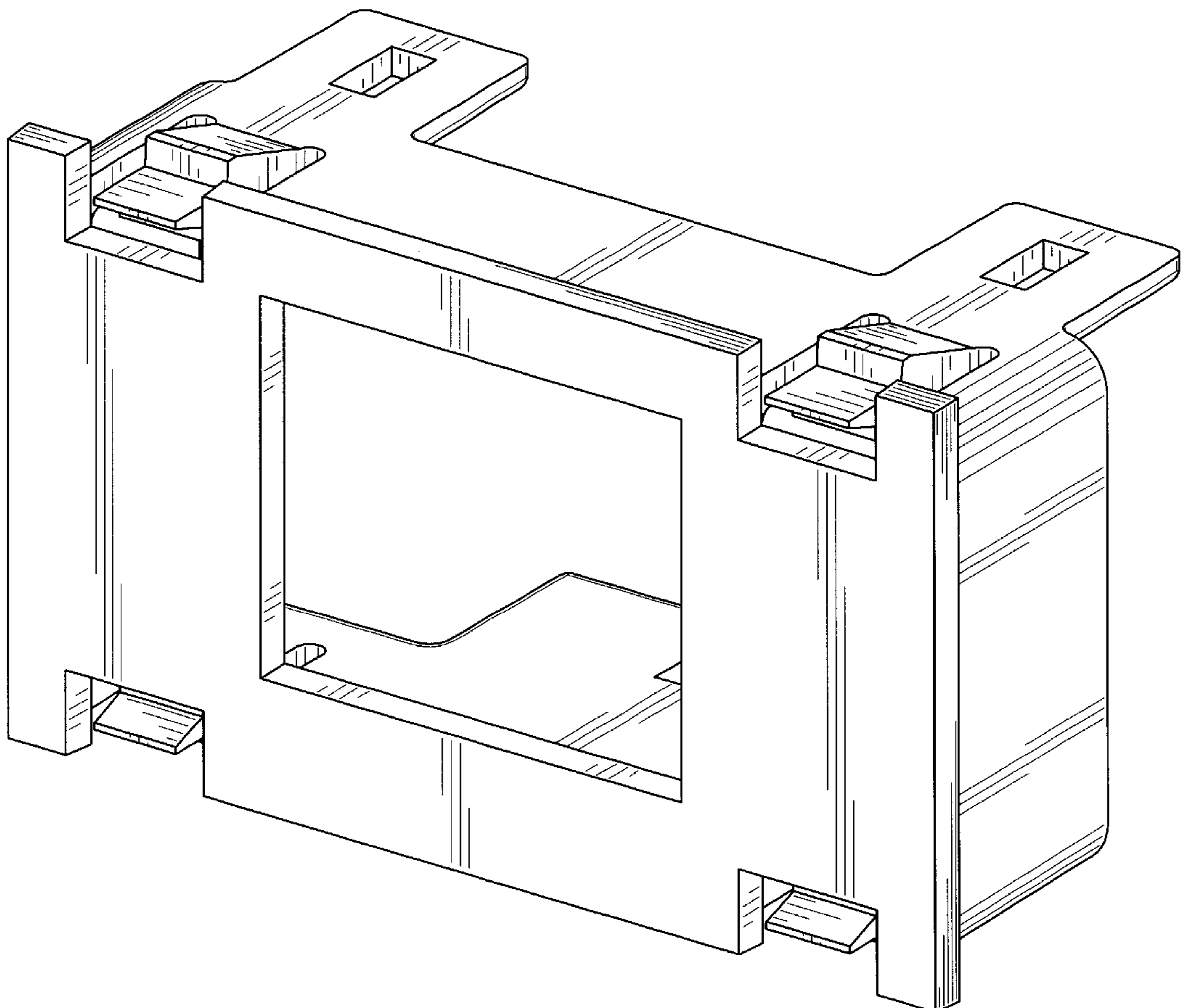
FIG. 6 is a top plan view of the cover shown in FIG. 1; and, FIG. 7 is a bottom plan view of the cover shown in FIG. 1.

(56) **References Cited**

U.S. PATENT DOCUMENTS

- D. 348,871 * 7/1994 Warrington D13/152
- 5,863,016 * 1/1999 Makwinski et al. 174/58 X
- 6,093,890 * 7/2000 Gretz 174/58

1 Claim, 4 Drawing Sheets



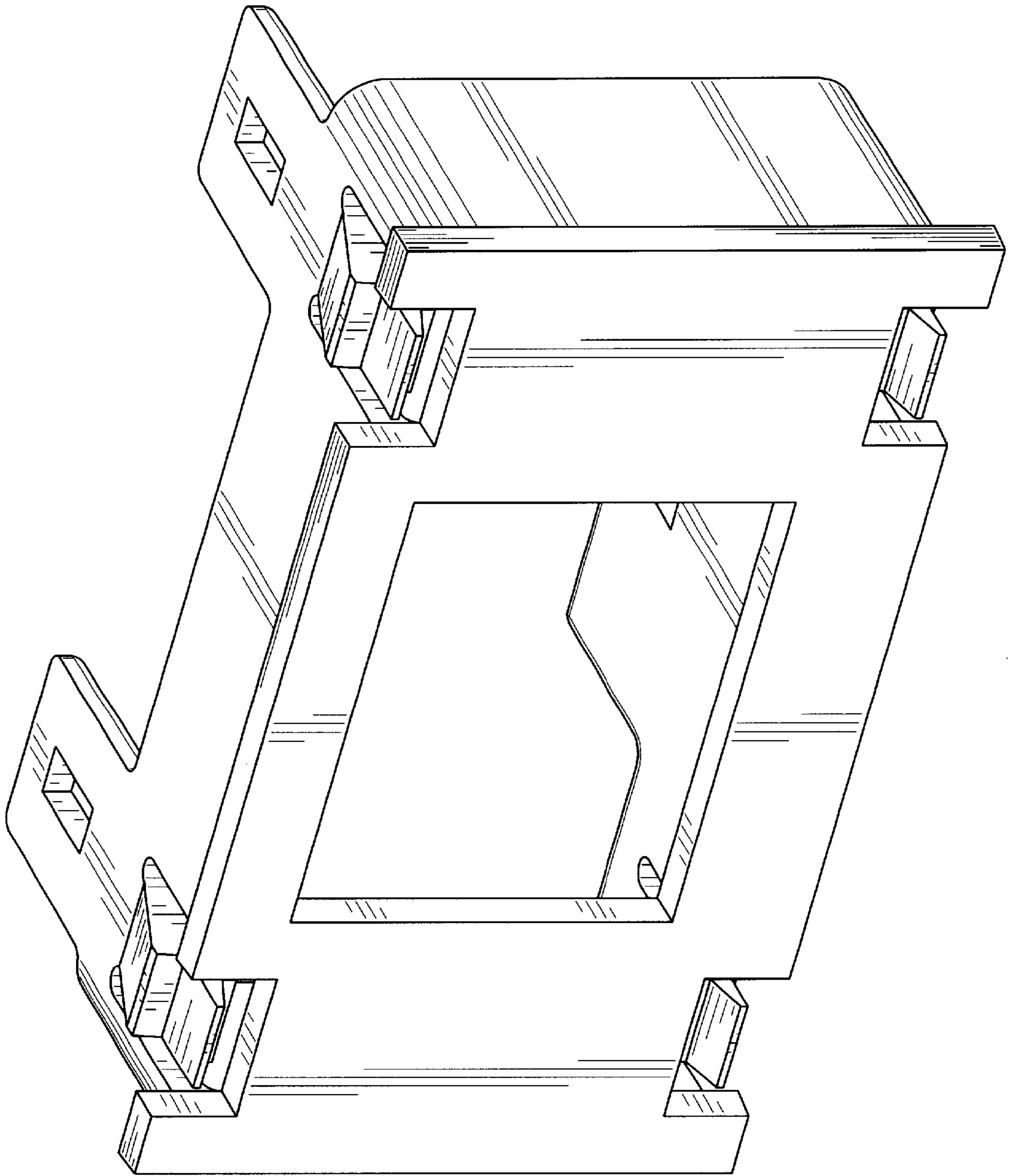


FIG. 1

FIG. 2

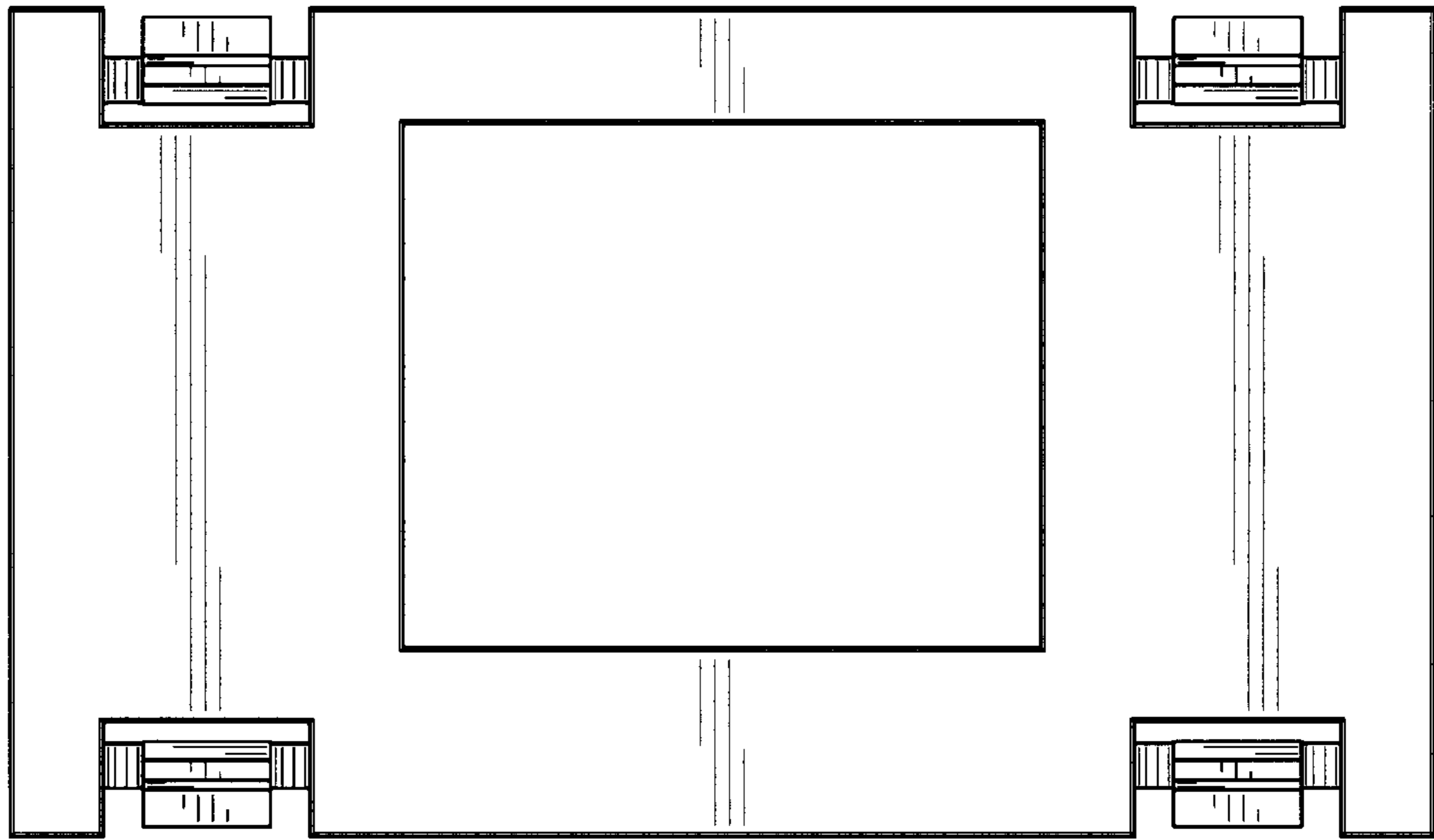


FIG. 3

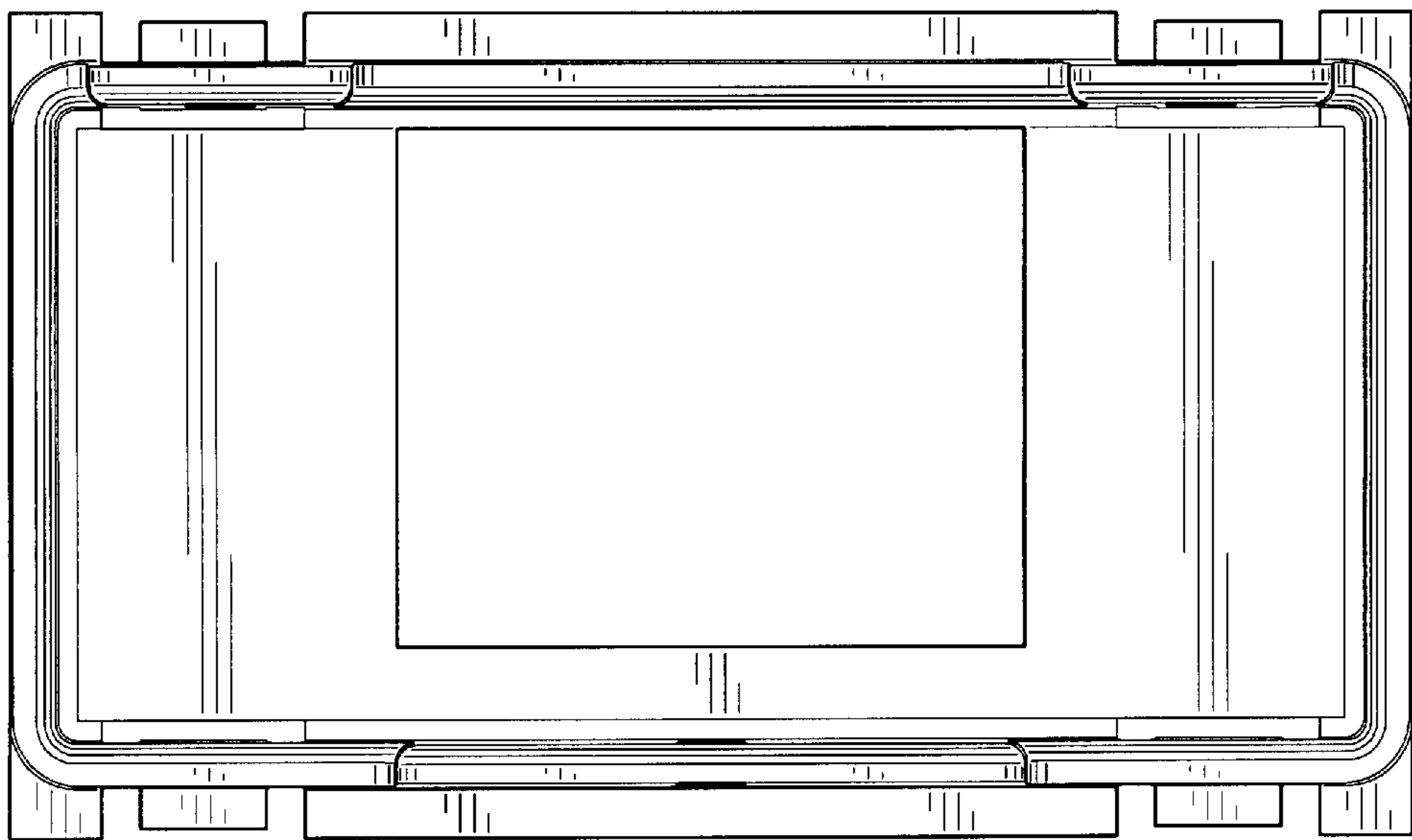


FIG. 4

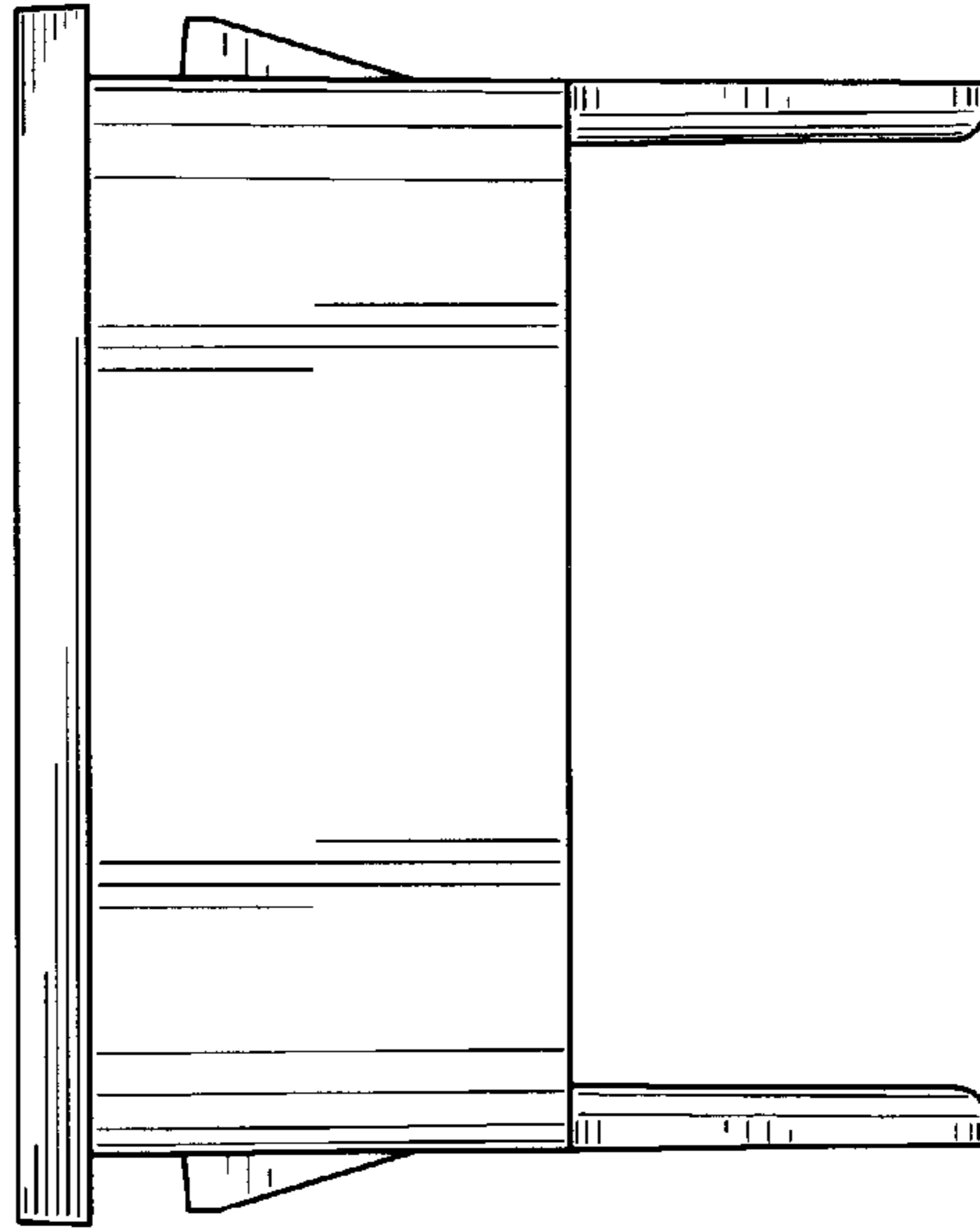


FIG. 5

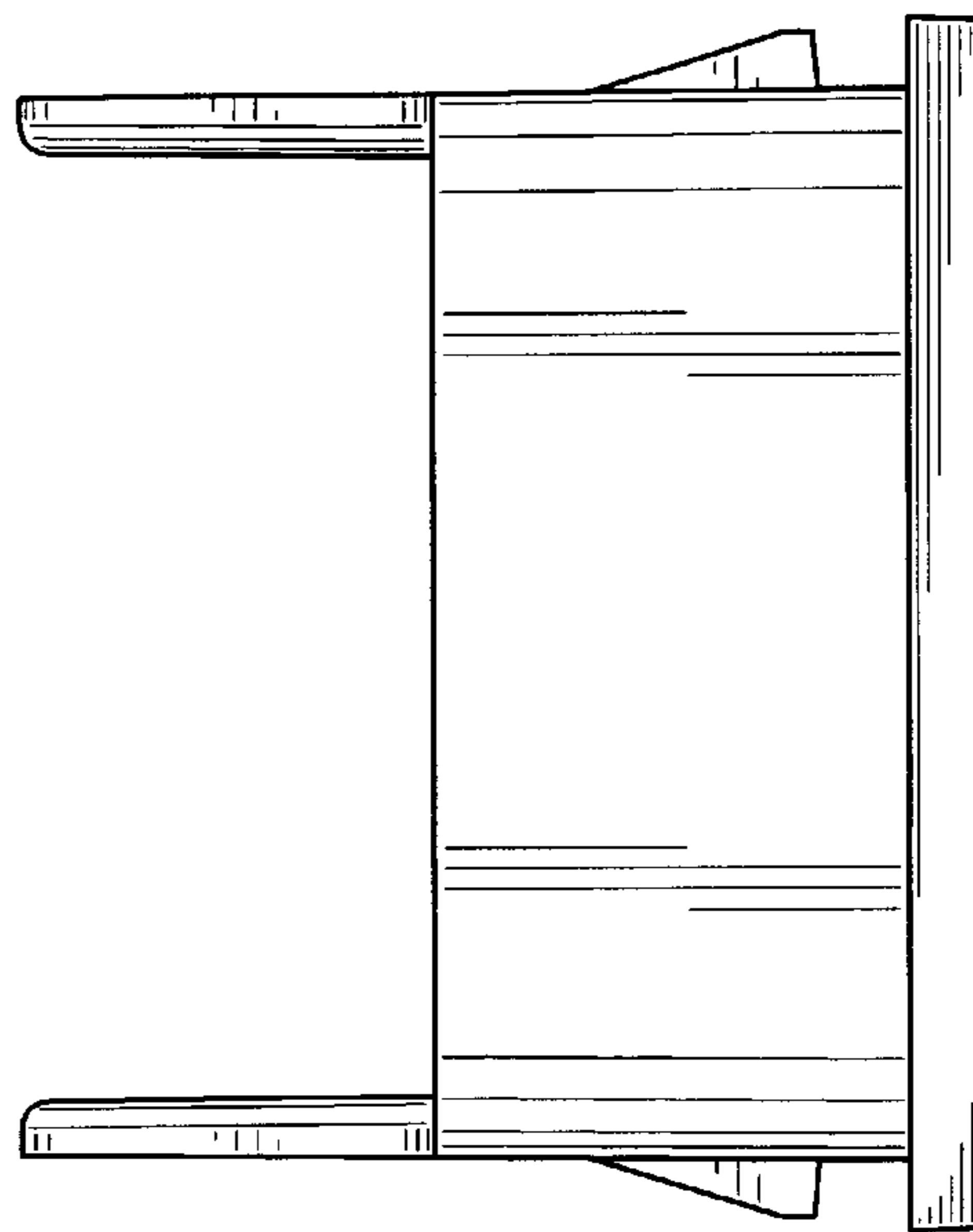


FIG. 6

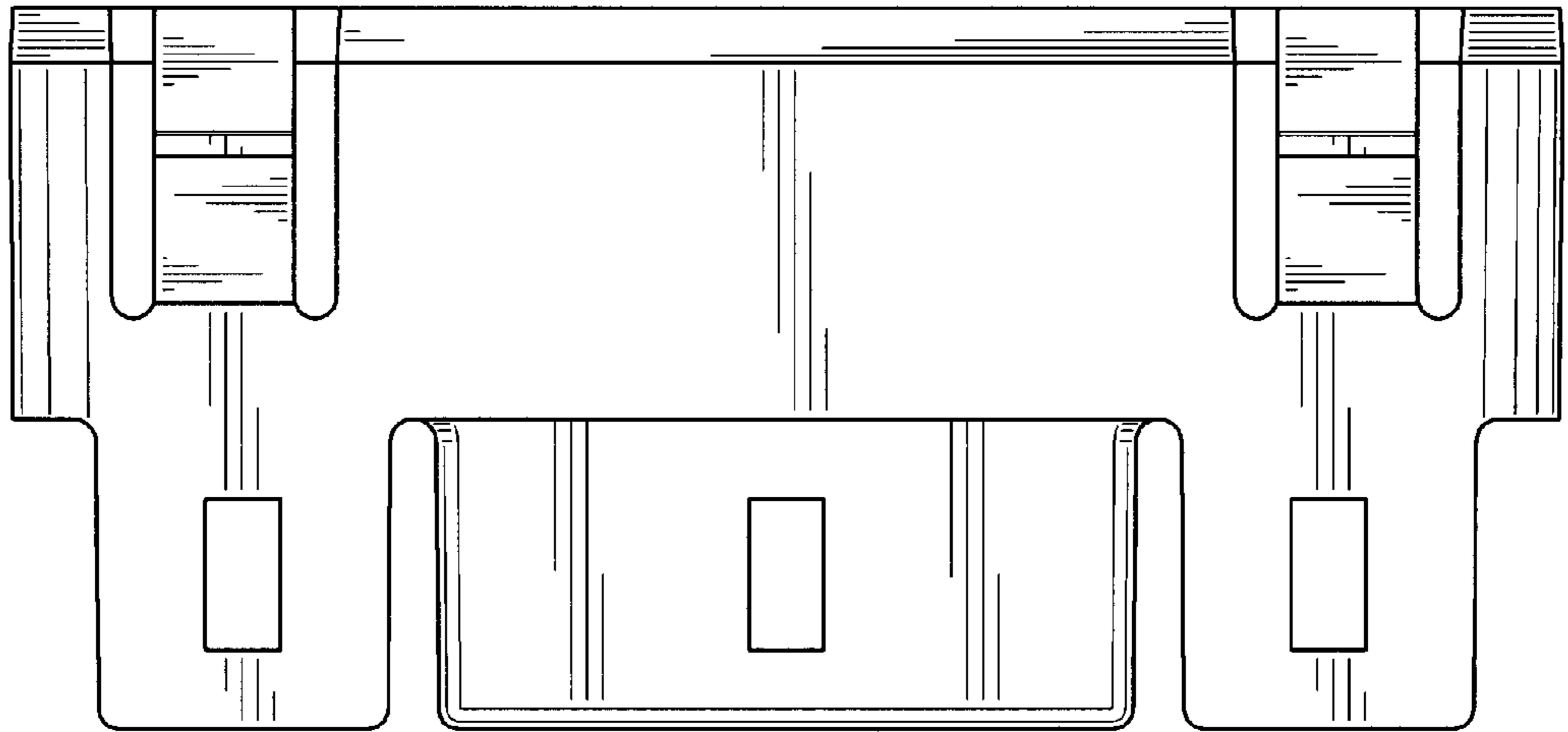


FIG. 7

