



US00D448347B1

(12) **United States Design Patent**
Zoiss et al.

(10) **Patent No.: US D448,347 S**

(45) **Date of Patent: ** Sep. 25, 2001**

(54) **TELEPHONE SIGNAL SPLITTER**

(75) **Inventors: Edward J. Zoiss, Moorpark; Michael M. Fallandy, Ventura; Steve Coker, Newbury Park, all of CA (US)**

(73) **Assignee: Harris Corporation, Melbourne, FL (US)**

(**) **Term: 14 Years**

(21) **Appl. No.: 29/111,559**

(22) **Filed: Sep. 30, 1999**

(51) **LOC (7) Cl. 13-03**

(52) **U.S. Cl. D13/146; D13/149**

(58) **Field of Search D13/146, 147, D13/149, 154, 153; D14/240, 256; 439/502, 604, 606, 623; 174/68.1**

(56) **References Cited**

U.S. PATENT DOCUMENTS

D. 417,197 * 11/1999 Proffer et al. D13/153
4,209,671 * 6/1980 Charles et al. 379/21

4,620,765 * 11/1986 Knickerbocker 439/37
5,144,657 * 9/1992 Depaepe 379/433
5,272,277 * 12/1993 Humbles et al. 174/48
5,832,081 * 11/1998 Zoiss 379/438
6,137,866 * 10/2000 Staber et al. 379/93.06

* cited by examiner

Primary Examiner—Joel Sincavage

(74) *Attorney, Agent, or Firm*—Harry M. Fleck

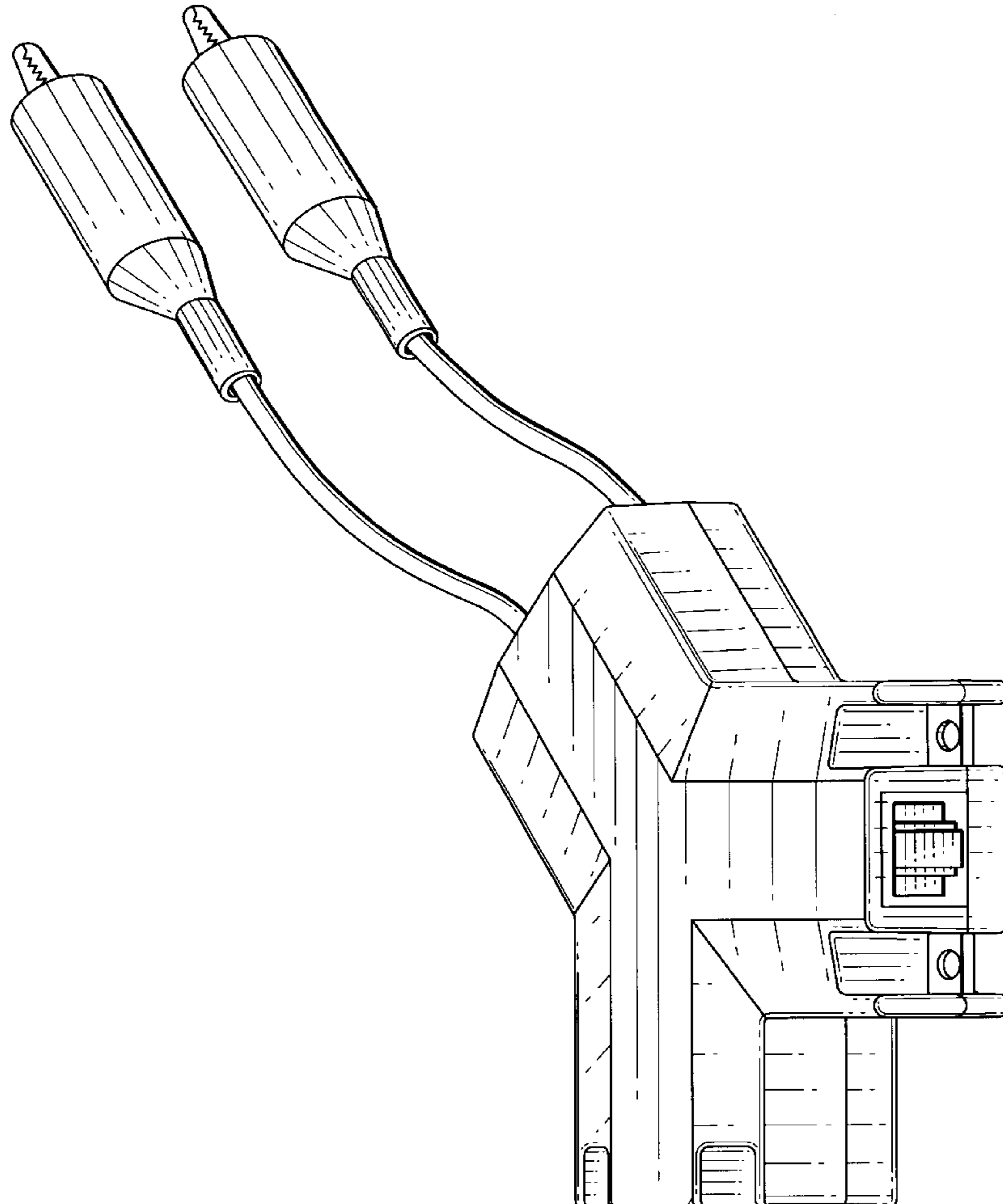
(57) **CLAIM**

We claim the ornamental design for telephone signal splitter, as shown.

DESCRIPTION

FIG. 1 is a perspective view of the telephone signal splitter, looking toward the top and right sides;
FIG. 2 is a top plan view;
FIG. 3 is a bottom plan view;
FIG. 4 is an elevational view of the right side;
FIG. 5 is an elevational view of the left side;
FIG. 6 is an elevational view of the lower end; and,
FIG. 7 is an elevational view of the upper end.

1 Claim, 7 Drawing Sheets



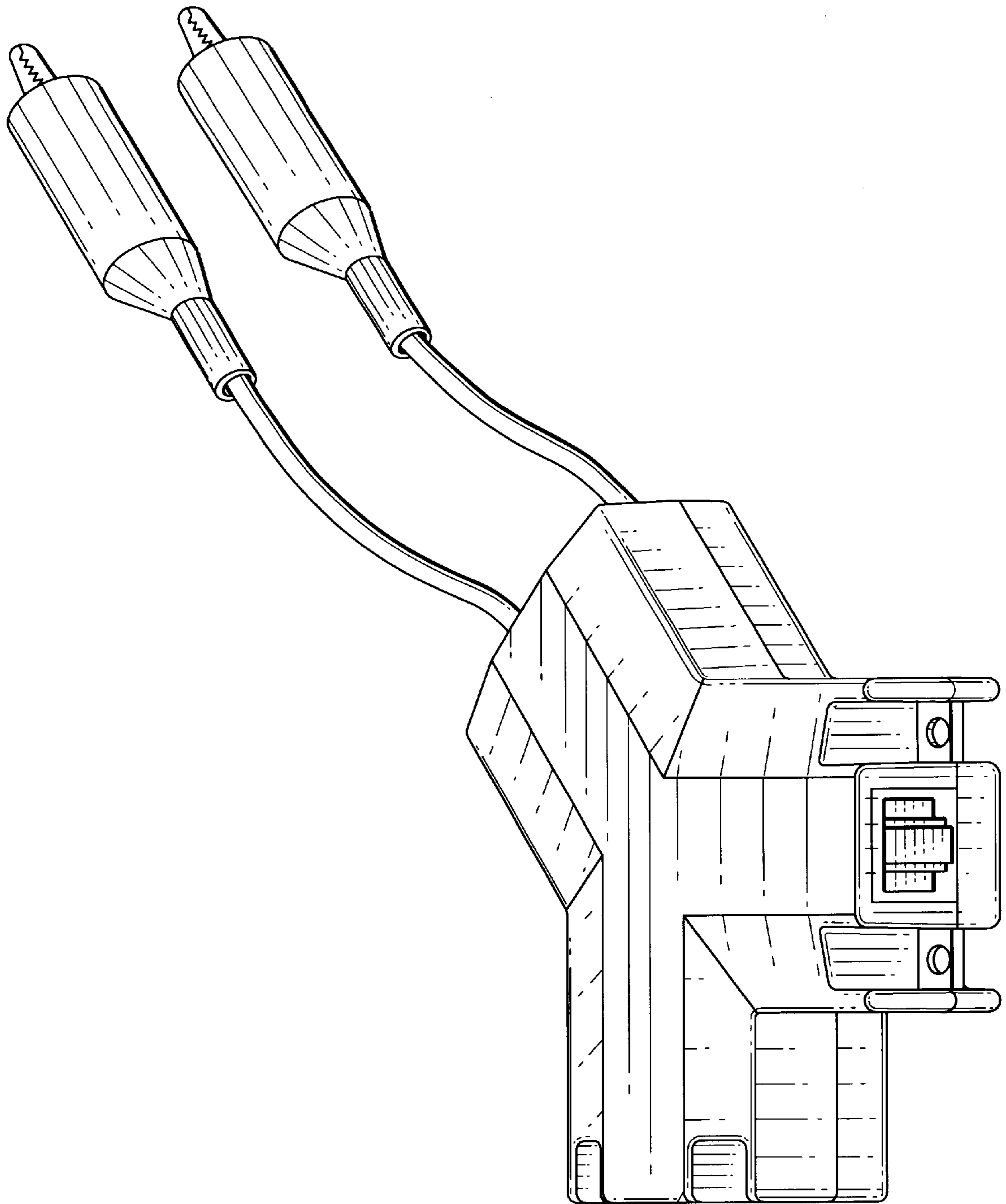


FIG. 1

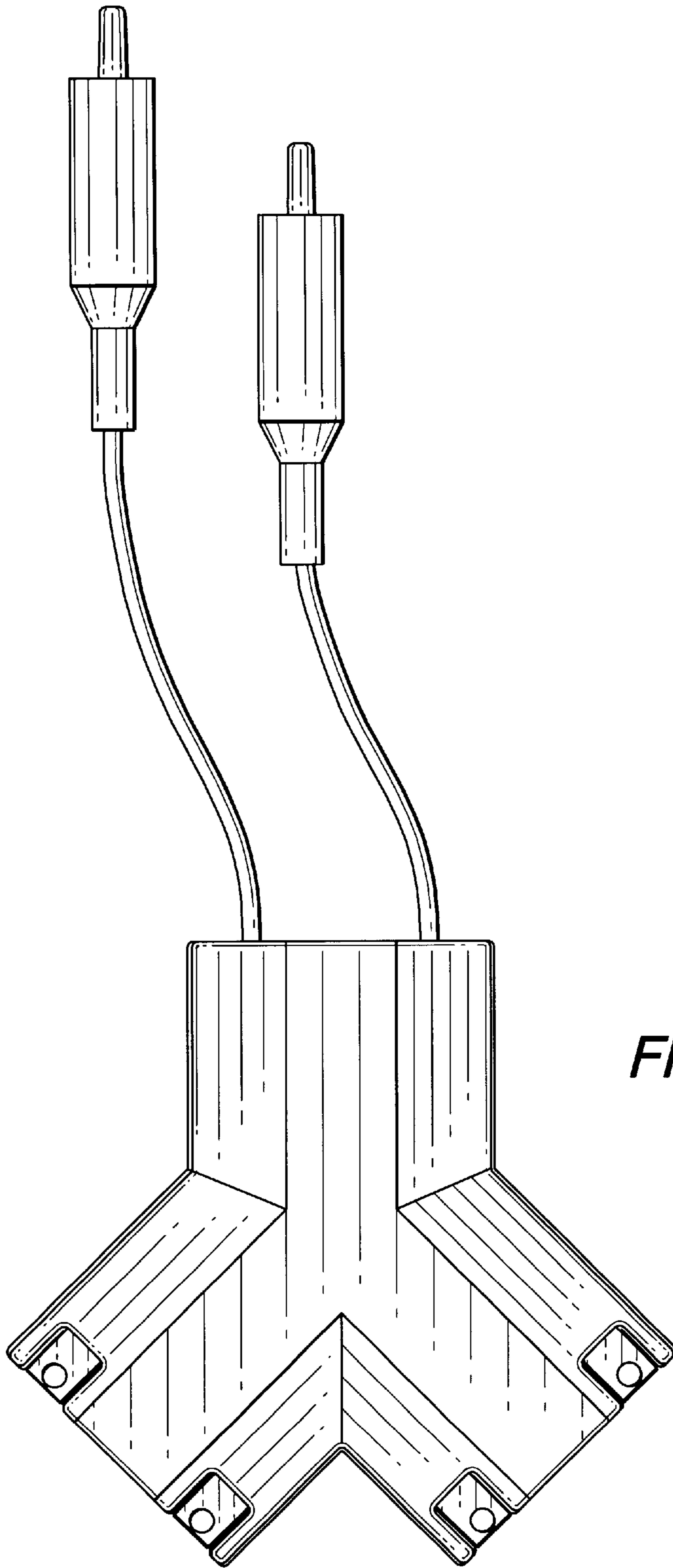


FIG. 2

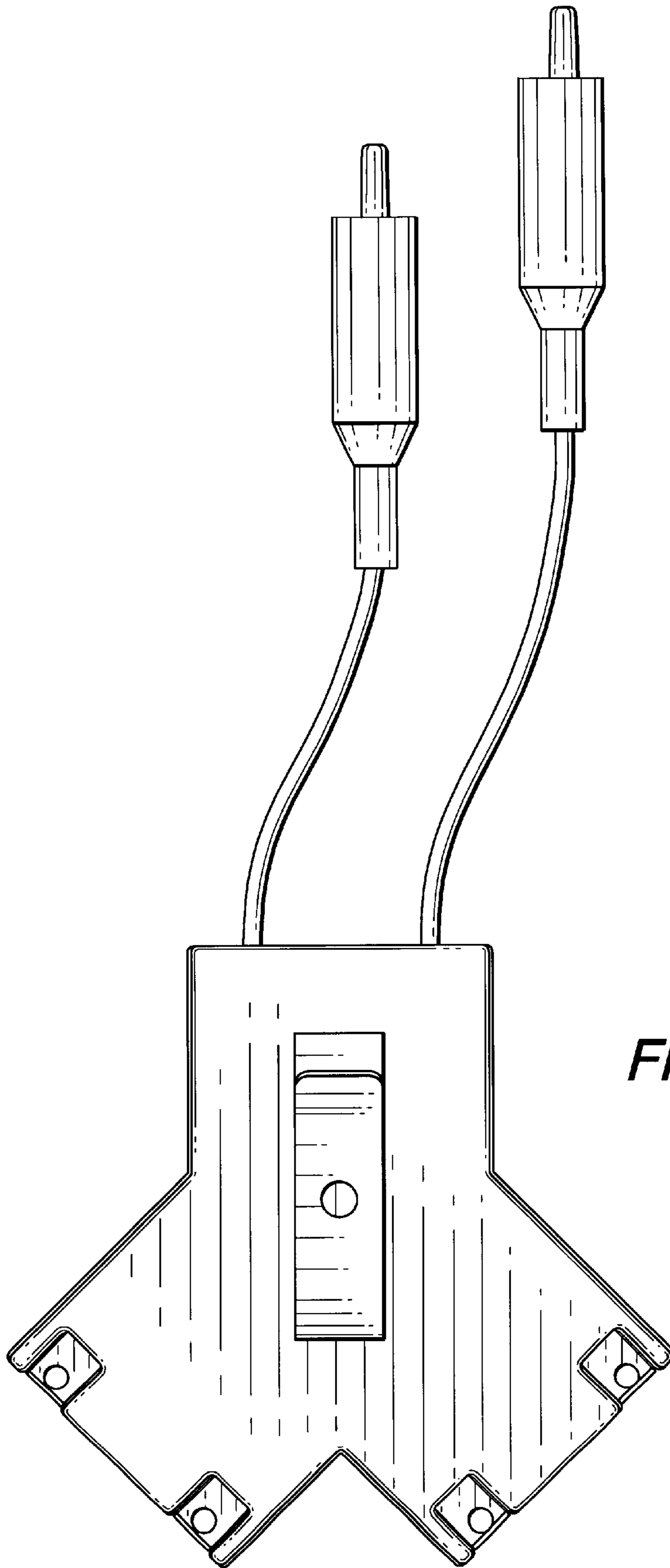


FIG. 3

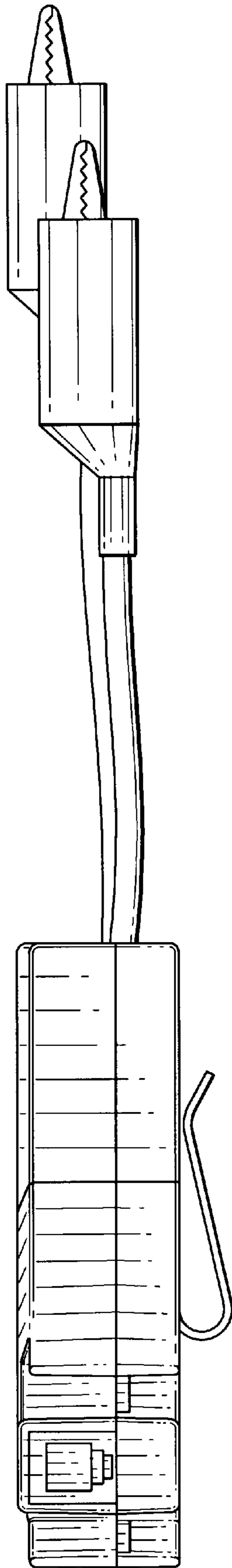


FIG. 4

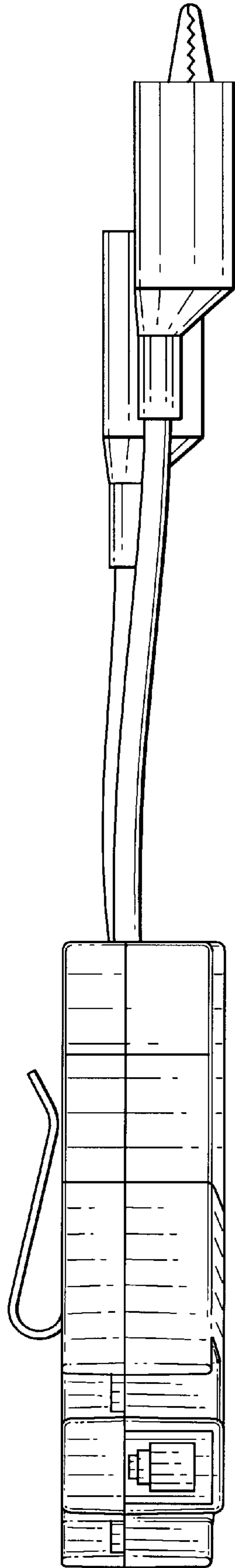


FIG. 5

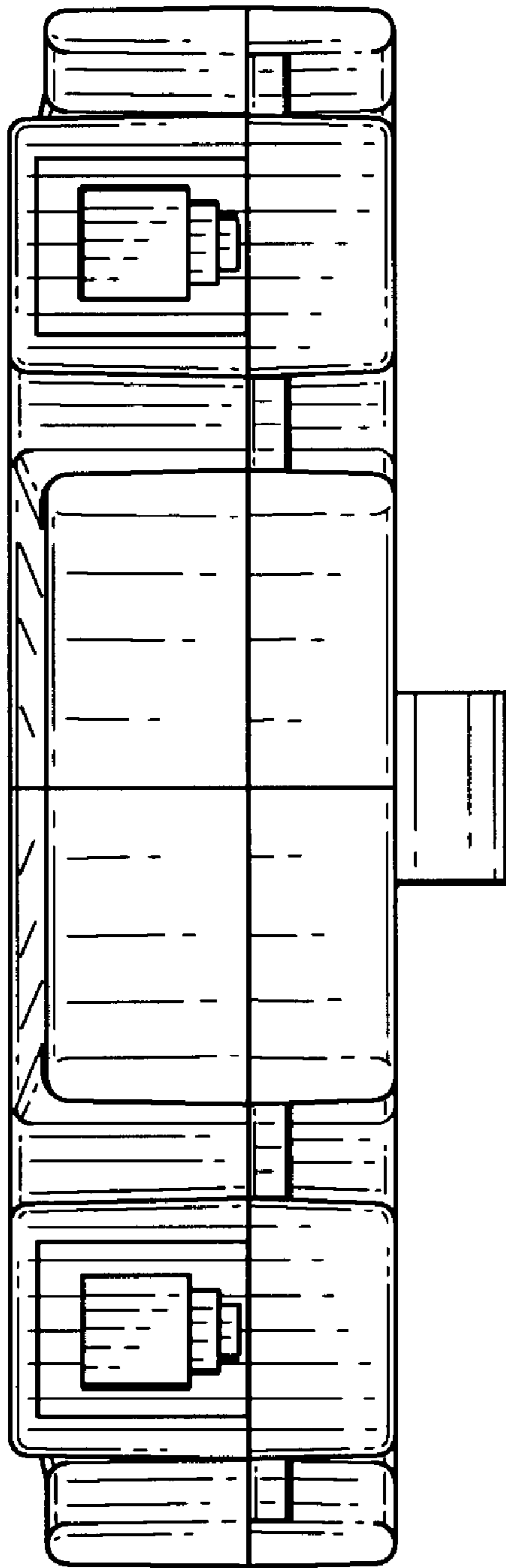


FIG. 6

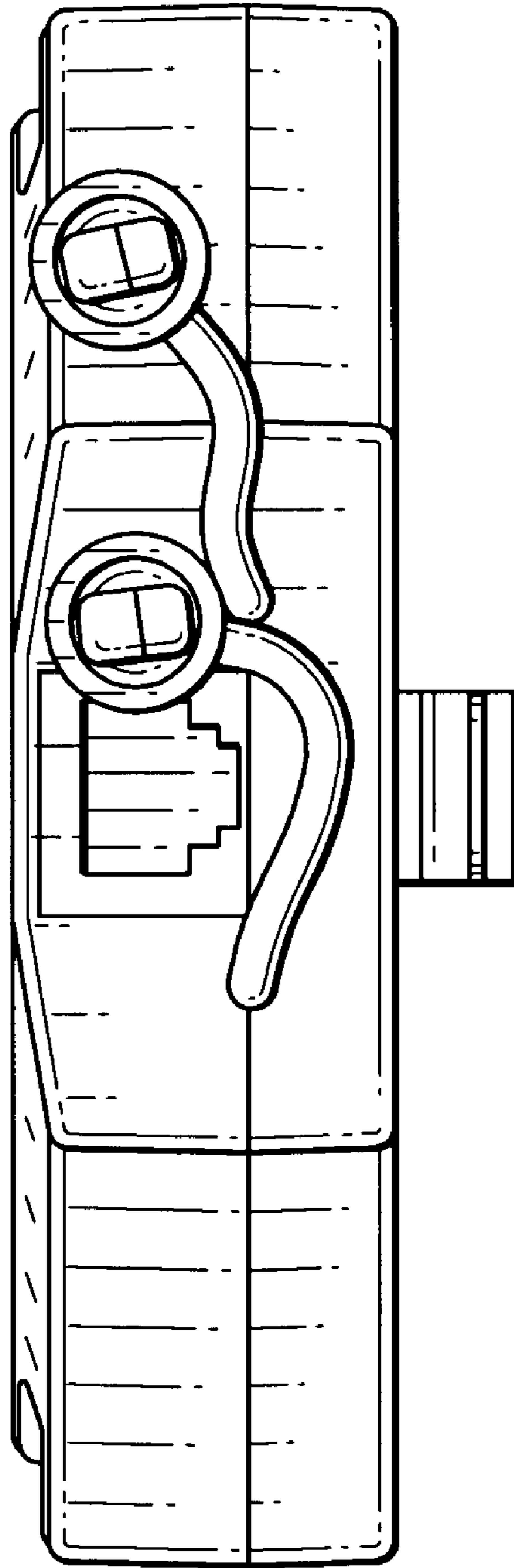


FIG. 7