



US00D448345B1

(12) **United States Design Patent**
Fristedt

(10) **Patent No.:** **US D448,345 S**

(45) **Date of Patent:** **** Sep. 25, 2001**

(54) **CONNECTING PLUG**

(75) Inventor: **Tommy Fristedt, Bottnaryd (SE)**

(73) Assignee: **Kongsberg Automotive AB (SE)**

(**) Term: **14 Years**

(21) Appl. No.: **29/094,931**

(22) Filed: **Oct. 14, 1998**

(30) **Foreign Application Priority Data**

Apr. 14, 1998 (SE) 980827

(51) **LOC (7) Cl.** **13-03**

(52) **U.S. Cl.** **D13/133**

(58) **Field of Search** D13/133, 146,
D13/147; 439/352, 354, 357, 489

(56) **References Cited**

U.S. PATENT DOCUMENTS

- D. 210,533 * 3/1968 Pauza D13/147
- D. 323,141 * 1/1992 Sueyoshi et al. D13/133
- D. 323,316 * 1/1992 Ohkura et al. D13/133
- D. 324,026 * 2/1992 Ichida et al. D13/133
- D. 402,628 * 12/1998 Canuto et al. D13/133

- 4,993,967 * 2/1991 Matsumoto 439/489
- 5,041,017 * 8/1991 Nakazato et al. 439/509
- 5,104,253 * 4/1992 Zielinski et al. 403/329
- 5,217,390 * 6/1993 Nozaki et al. 439/489
- 5,873,747 * 2/1999 Tsuji 439/357

* cited by examiner

Primary Examiner—Joel Sincavage

(74) *Attorney, Agent, or Firm*—Lerner, David, Littenberg, Krumholz & Mentlik, LLP

(57) **CLAIM**

The ornamental design for a connecting plug, as shown and described.

DESCRIPTION

FIG. 1 is a front, perspective view of a connecting plug in accordance with the present invention, showing the right side and top thereof;

FIG. 2 is a rear, perspective view of the connecting plug shown in FIG. 1, showing the right side and bottom thereof;

FIG. 3 is a front, perspective view of the connecting plug shown in FIG. 1, with the two parts thereof separated; and,

FIG. 4 is a rear, perspective view of the connecting plug shown in FIG. 1, with the two parts thereof separated.

1 Claim, 2 Drawing Sheets

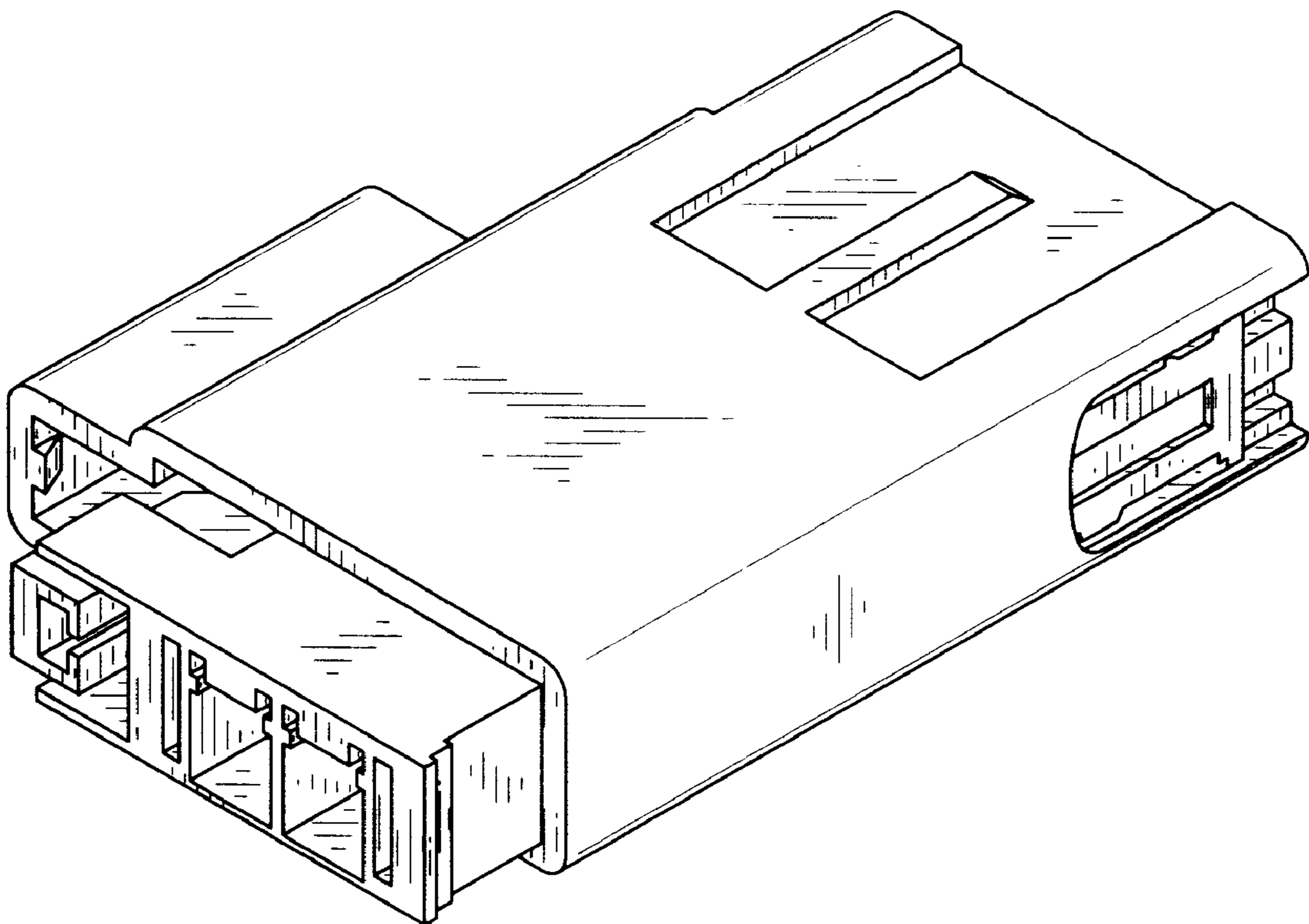


FIG. 1

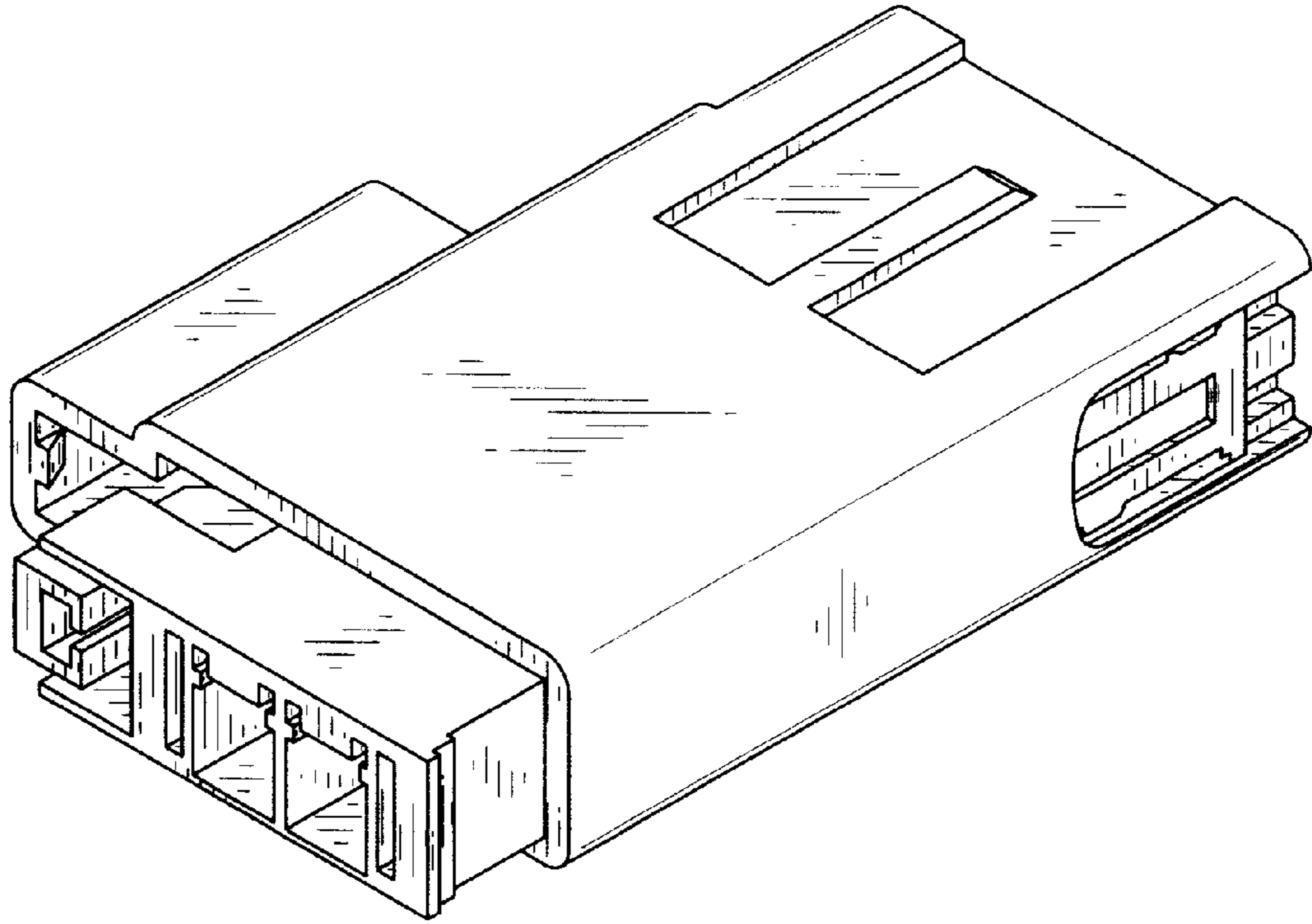


FIG. 2

