



US00D448344B1

(12) **United States Design Patent**
Ishitsuka et al.

(10) **Patent No.:** **US D448,344 S**

(45) **Date of Patent:** **** Sep. 25, 2001**

(54) **SIGNAL CONVERTER**

(75) Inventors: **Nobuyuki Ishitsuka**, Satte; **Ken Gunji**,
Ibaraki-ken, both of (JP)

(73) Assignee: **SMC Kabushiki Kaisha**, Tokyo (JP)

(**) Term: **14 Years**

(21) Appl. No.: **29/120,656**

(22) Filed: **Mar. 23, 2000**

(30) **Foreign Application Priority Data**

Oct. 1, 1999 (JP) 11-26665

(51) **LOC (7) Cl.** **13-03**

(52) **U.S. Cl.** **D13/123; D14/299**

(58) **Field of Search** D13/123, 146,
D13/147, 162, 184; D14/299, 433, 434,
357, 358, 356; 361/686, 639

(56) **References Cited**

U.S. PATENT DOCUMENTS

- D. 388,396 * 12/1997 Meloche D13/146
- D. 400,857 * 11/1998 Meloche D13/146
- D. 425,483 * 5/2000 Bechtold et al. D13/147
- D. 432,987 * 10/2000 Seo et al. D13/123

- D. 433,998 * 11/2000 Ishitsuka et al. D13/123
- D. 439,883 * 4/2001 Miyazoe et al. D13/147
- 4,783,846 * 11/1988 Wachob 455/151.4
- 5,020,149 * 5/1991 Hemmie 455/325
- 5,192,832 * 3/1993 Rudy, Jr. et al. 174/52.1
- 5,622,506 * 4/1997 Hornig et al. 439/74
- 6,077,125 * 6/2000 Emery 439/638

* cited by examiner

Primary Examiner—Joel Sincavage

(74) *Attorney, Agent, or Firm*—Frishauf, Holtz, Goodman,
Langer & Chick, P.C.

(57) **CLAIM**

The ornamental design for a signal converter, as shown.

DESCRIPTION

FIG. 1 is a top, front, right-side perspective view of a signal converter showing our new design;
 FIG. 2 is a front view thereof;
 FIG. 3 is a rear view thereof;
 FIG. 4 is a left side view thereof;
 FIG. 5 is a right side view thereof;
 FIG. 6 is a top plan view thereof; and,
 FIG. 7 is a bottom plan view thereof.

1 Claim, 3 Drawing Sheets

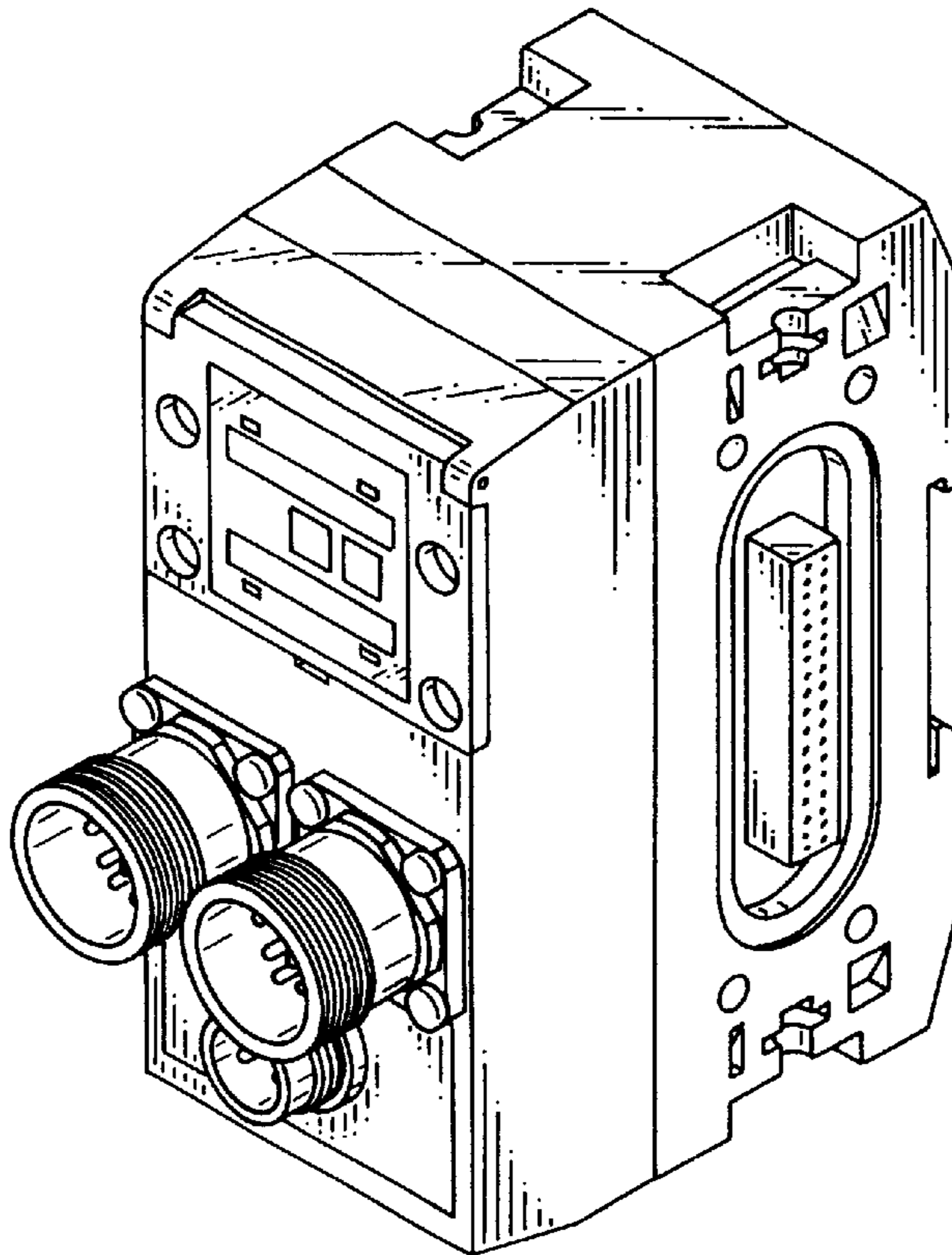


FIG. 1

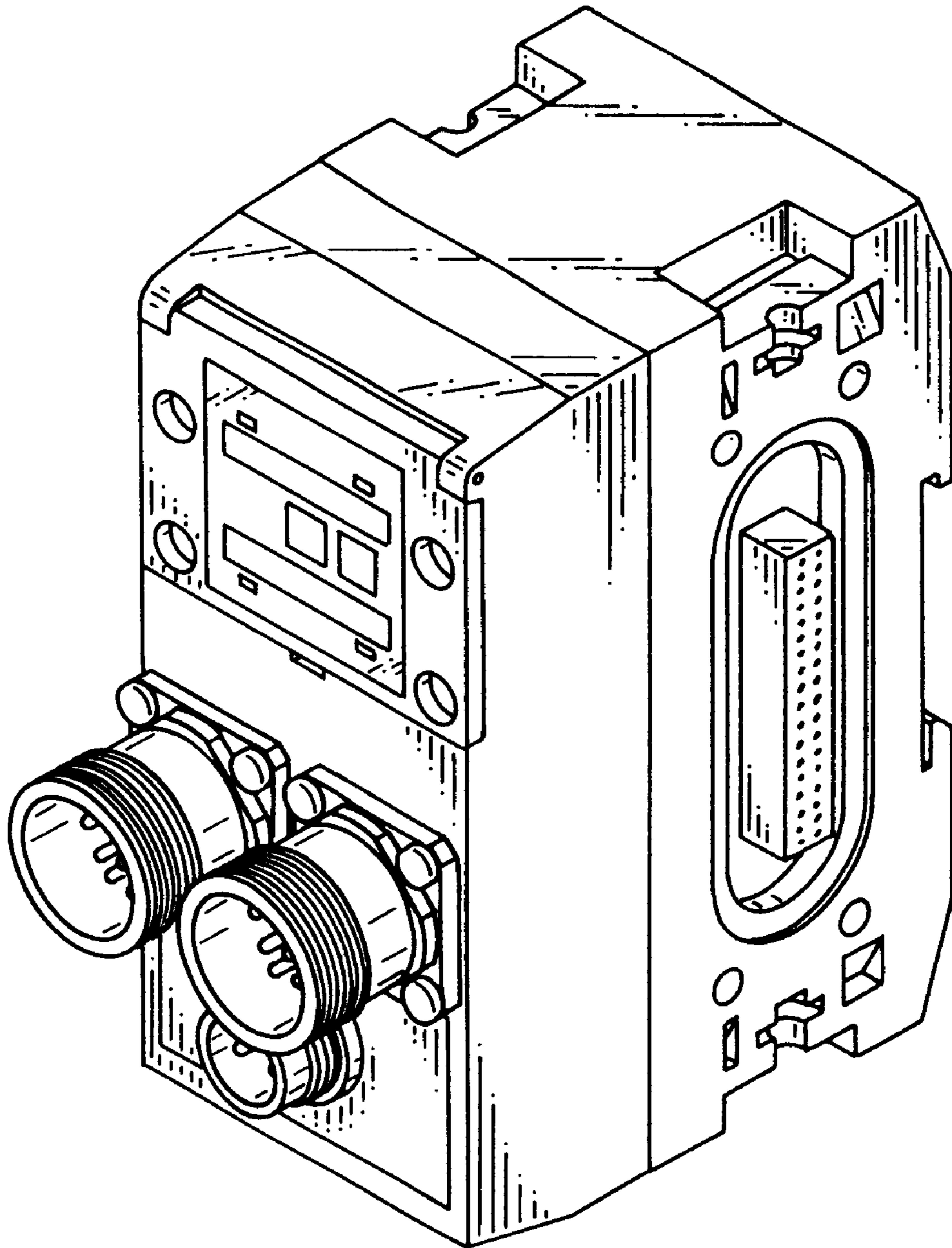


FIG. 2

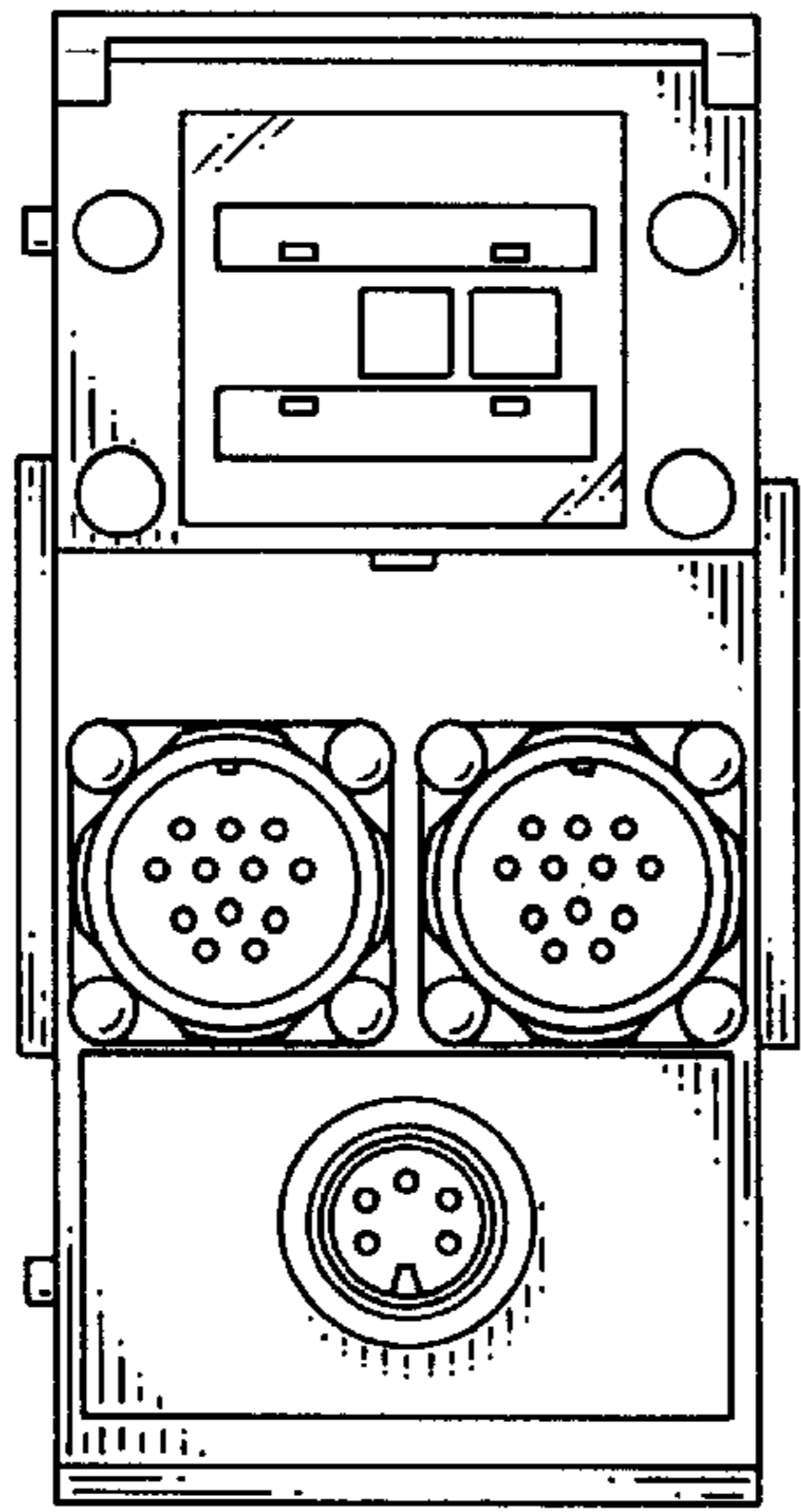


FIG. 3

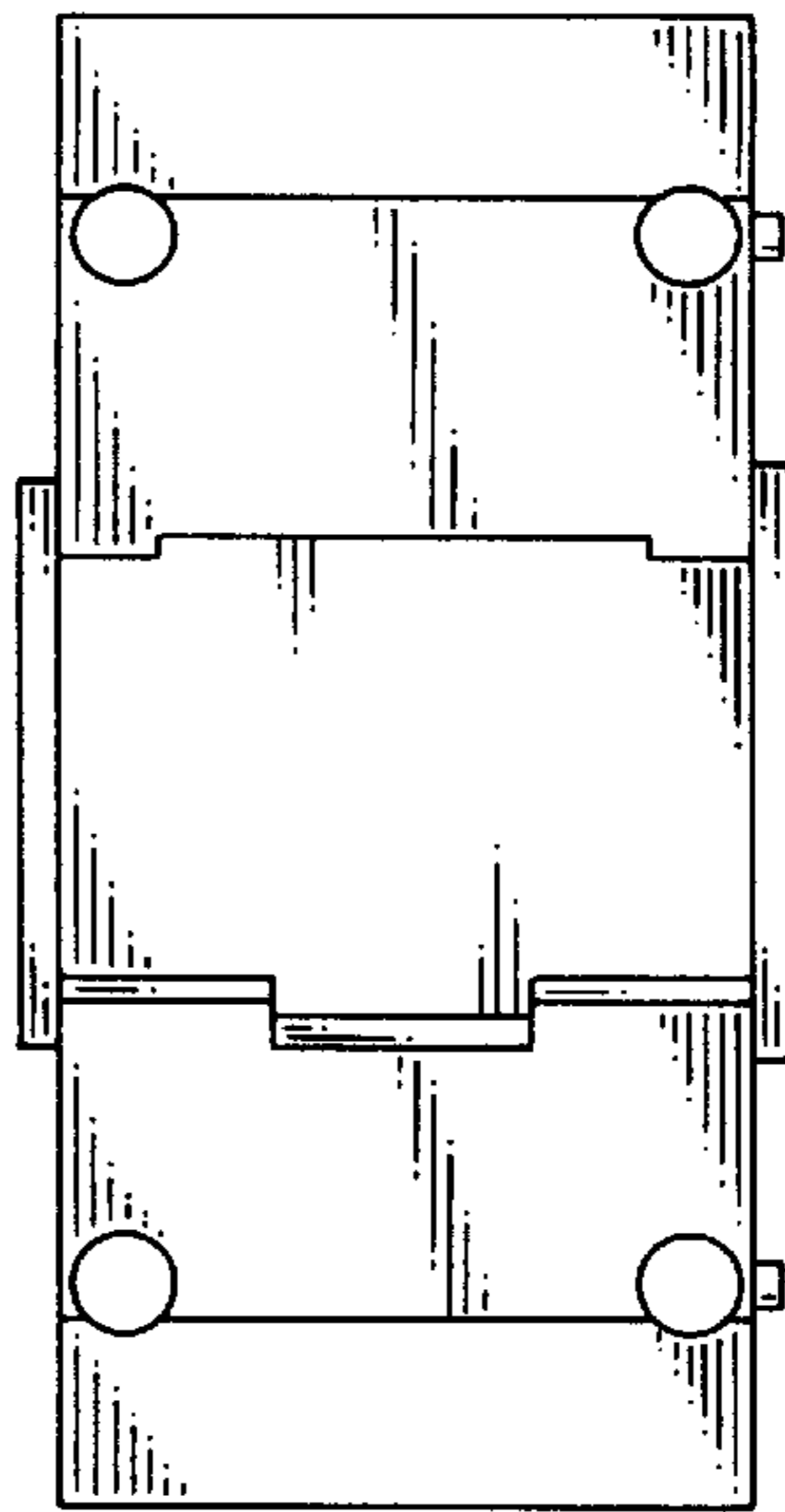


FIG. 4

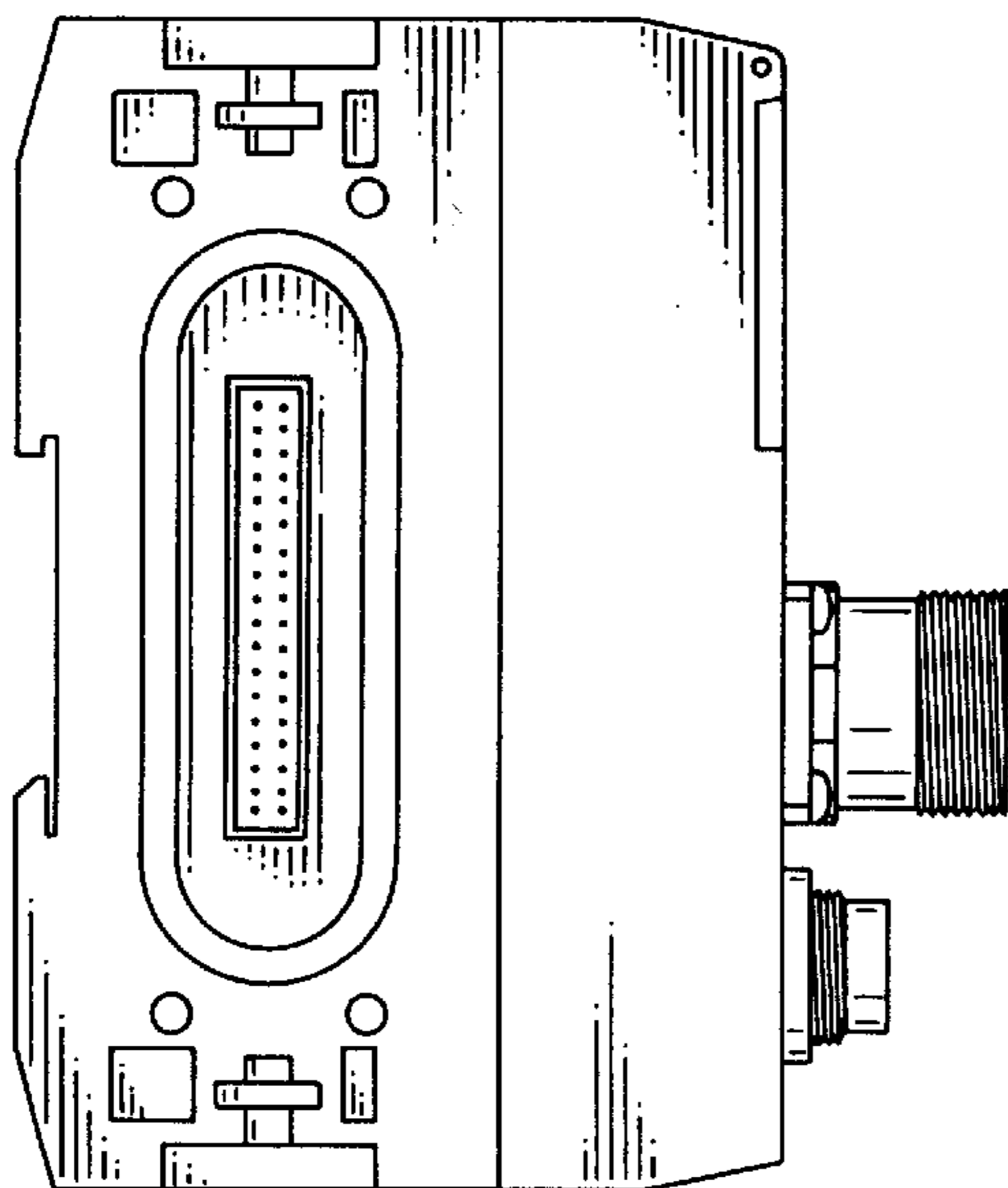


FIG. 5

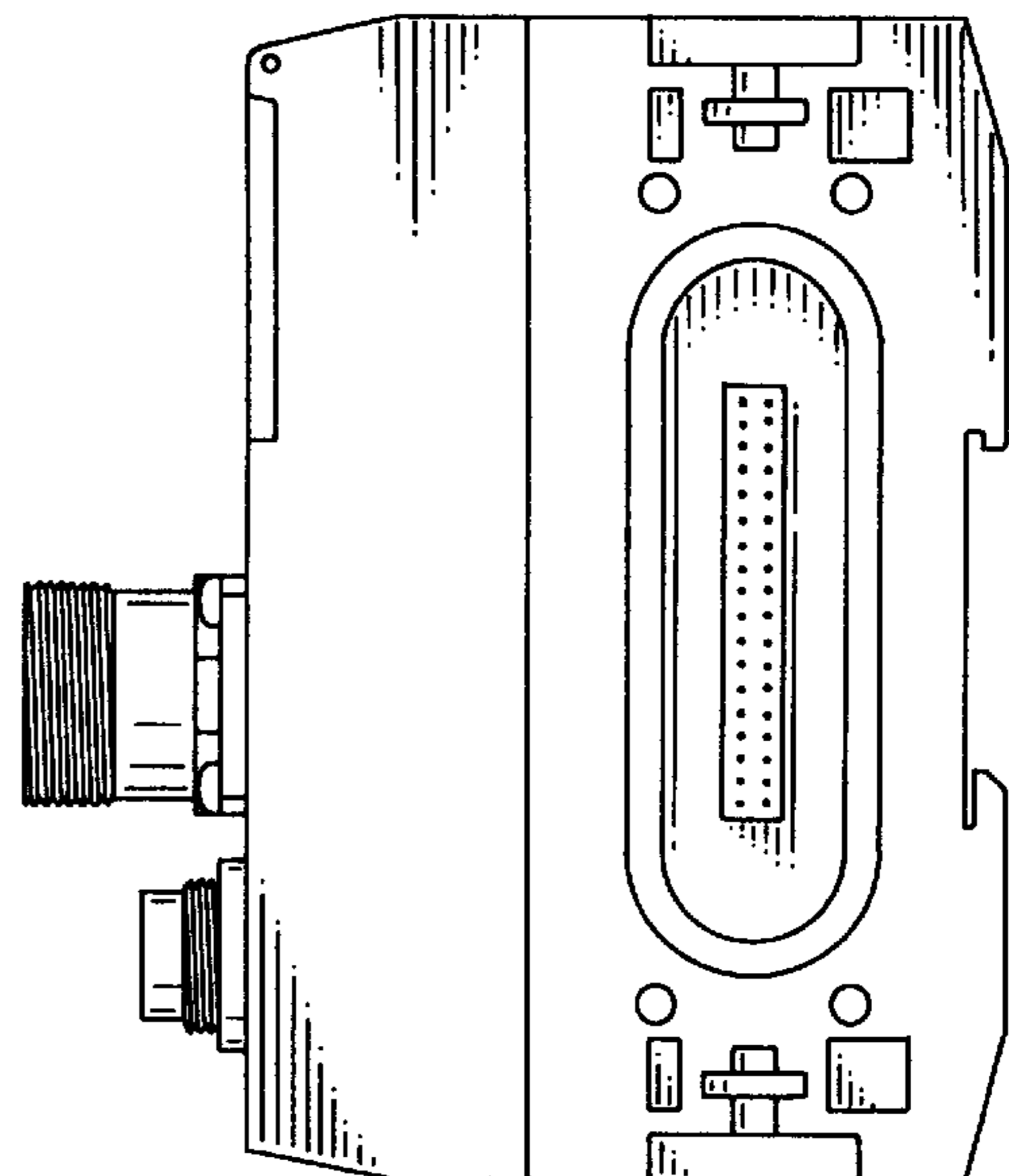


FIG. 6

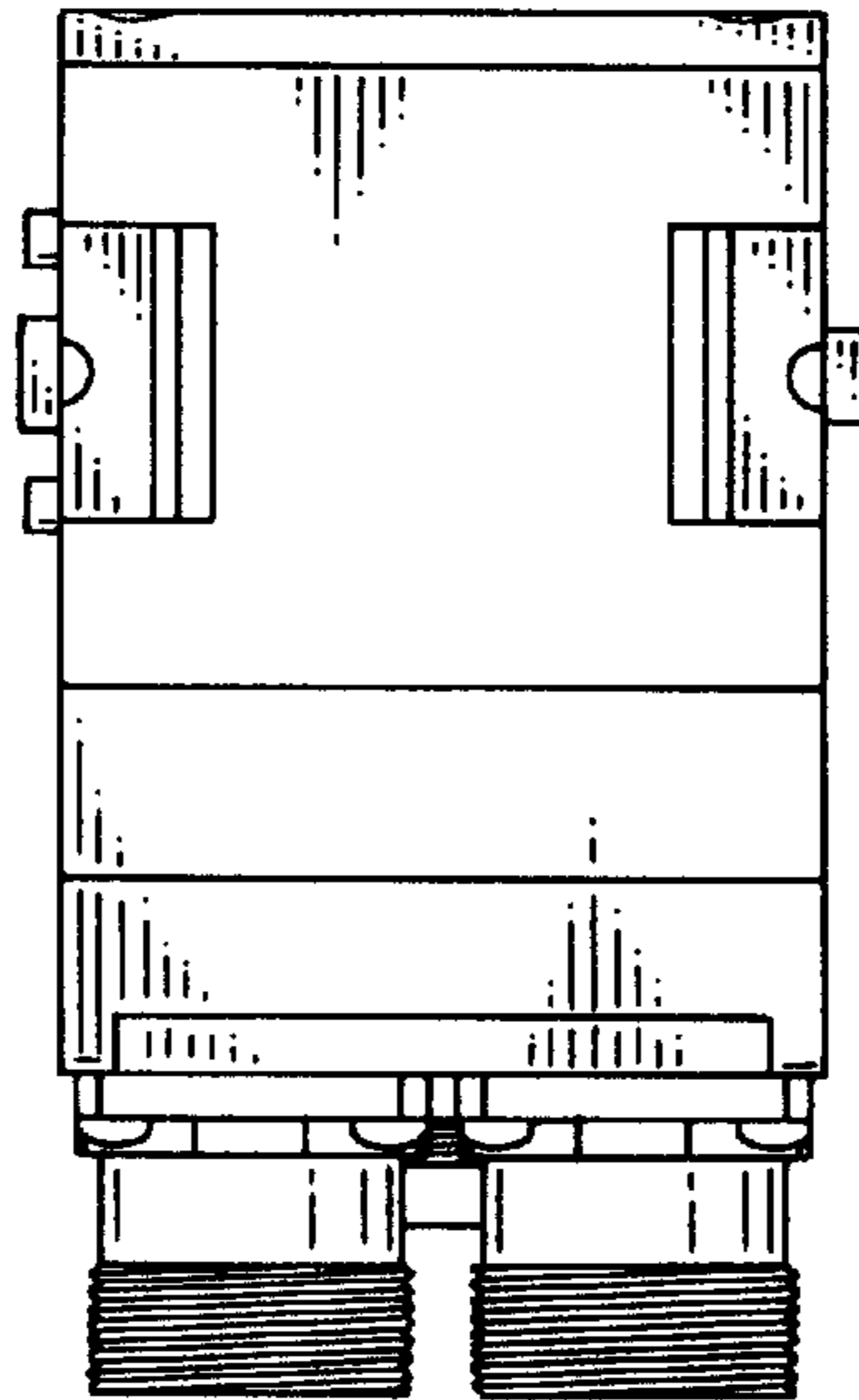


FIG. 7

