



US00D448343B1

(12) **United States Design Patent**
Asao et al.

(10) **Patent No.:** **US D448,343 S**

(45) **Date of Patent:** **** Sep. 25, 2001**

(54) **STATOR OF AC GENERATOR FOR VEHICLES**

6,051,906 * 4/2000 Umeda et al. 310/179

FOREIGN PATENT DOCUMENTS

(75) **Inventors:** **Yoshihito Asao; Katsumi Adachi**, both of Tokyo (JP)

09103052A * 4/1997 (JP) H02K/15/02
1041849 6/1999 (JP) .

(73) **Assignee:** **Mitsubishi Denki Kabushiki Kaisha**, Tokyo (JP)

OTHER PUBLICATIONS

Mitsubishi '93 Automotive Electrical Equipments Parts Catalog (Alternator) (Starting Motor), Feb. 1993.

(**) **Term:** **14 Years**

* cited by examiner

(21) **Appl. No.:** **29/120,778**

Primary Examiner—Joel Sincavage

(22) **Filed:** **Mar. 27, 2000**

(74) *Attorney, Agent, or Firm*—Oblon, Spivak, McClelland, Maier & Neustadt, P.C.

(30) **Foreign Application Priority Data**

Oct. 6, 1999 (JP) 11-27210

(57) **CLAIM**

(51) **LOC (7) Cl.** **13-01**

The ornamental design for a stator of AC generator for vehicles, as shown.

(52) **U.S. Cl.** **D13/122**

(58) **Field of Search** D13/118, 122;
310/52, 179, 180, 201, 254-260

DESCRIPTION

(56) **References Cited**

FIG. 1 is a front, and top side perspective view of a stator of AC generator for vehicles showing our new design; FIG. 2 is a front elevational view thereof; FIG. 3 is a top plan view thereof; FIG. 4 is a rear elevational view thereof; FIG. 5 is a bottom plan view thereof; FIG. 6 is a right side elevational view thereof; and, FIG. 7 is a left side elevational view thereof.

U.S. PATENT DOCUMENTS

- D. 425,857 * 5/2000 Umeda et al. D13/118
- D. 426,191 * 6/2000 Umeda et al. D13/122
- 3,453,468 * 7/1969 Lund 310/180
- 4,741,098 * 5/1988 Barrera 29/736
- 5,640,062 * 6/1997 Yockey 310/68 D
- 5,998,903 * 12/1999 Umeda et al. 310/179
- 6,049,154 * 4/2000 Asao et al. 310/201

1 Claim, 4 Drawing Sheets

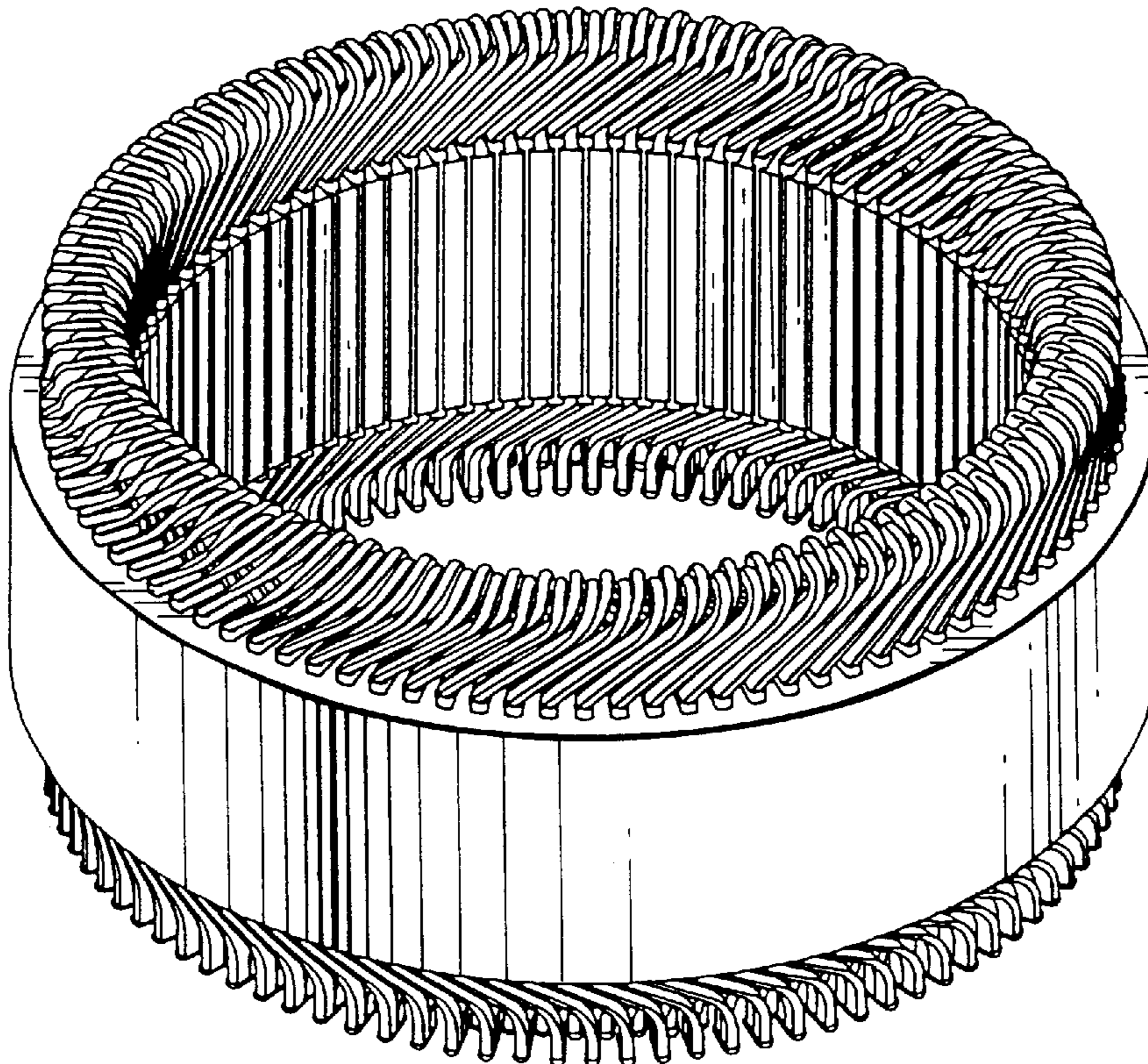


FIG. 1

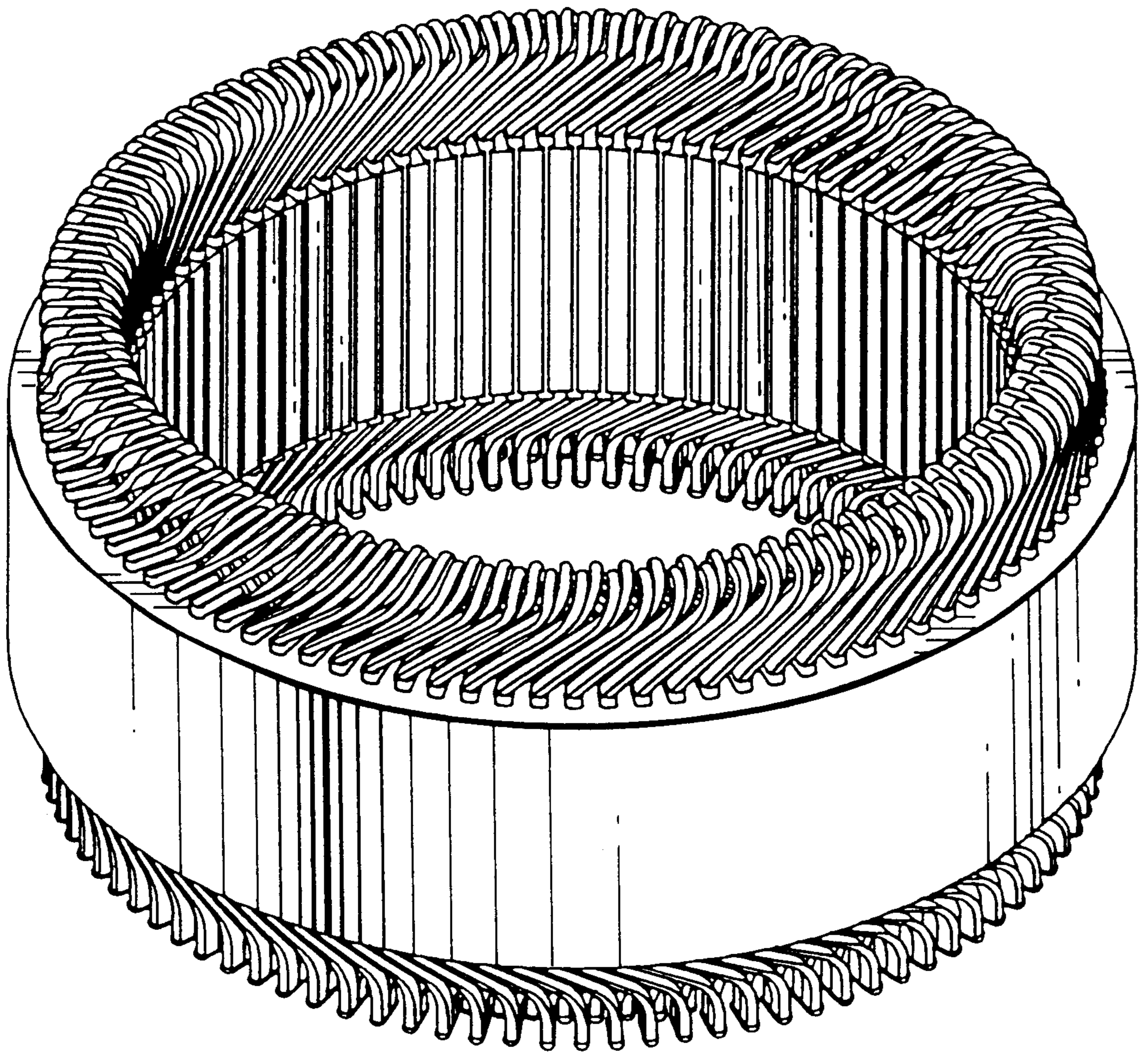


FIG. 2

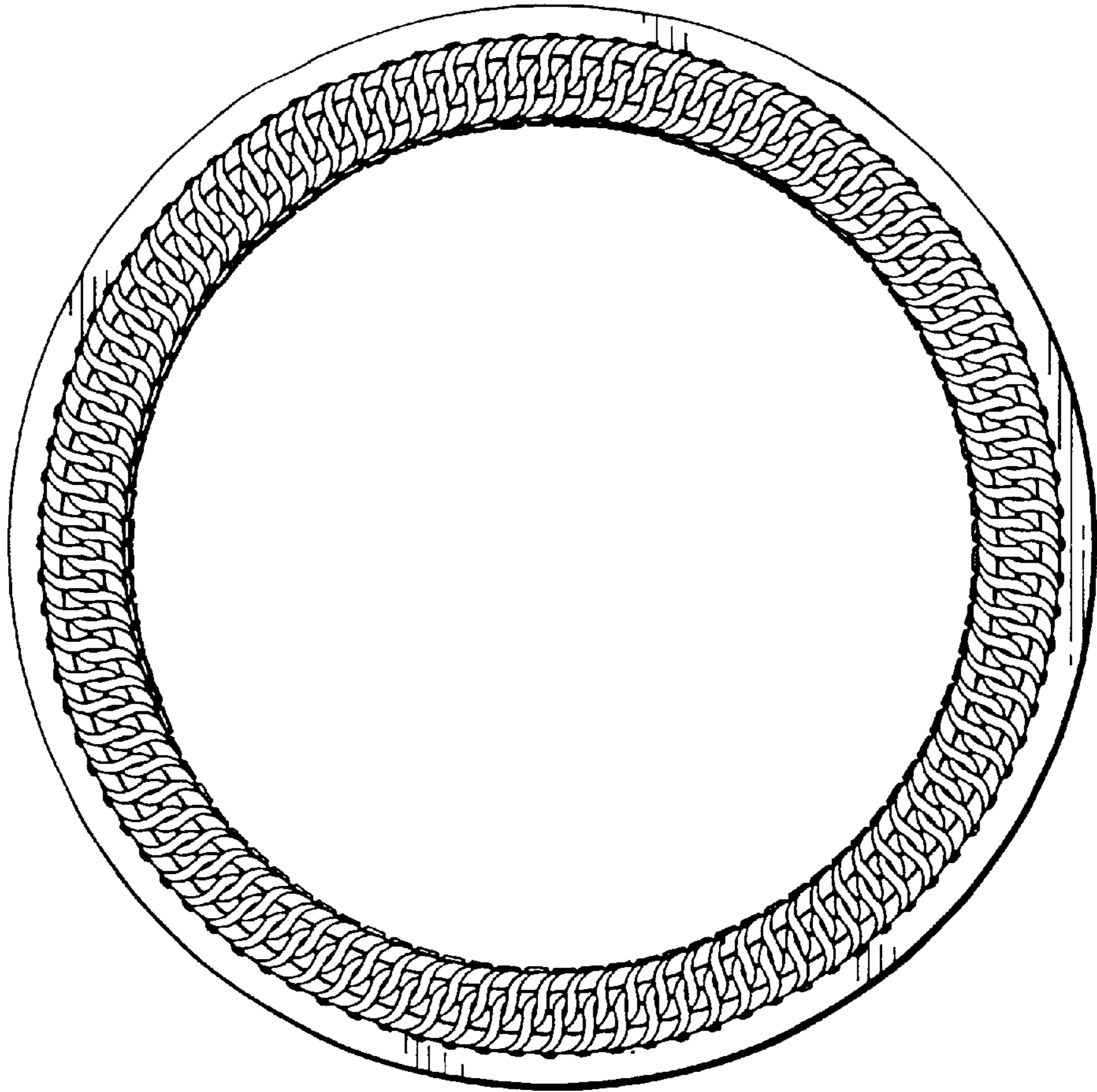


FIG. 3

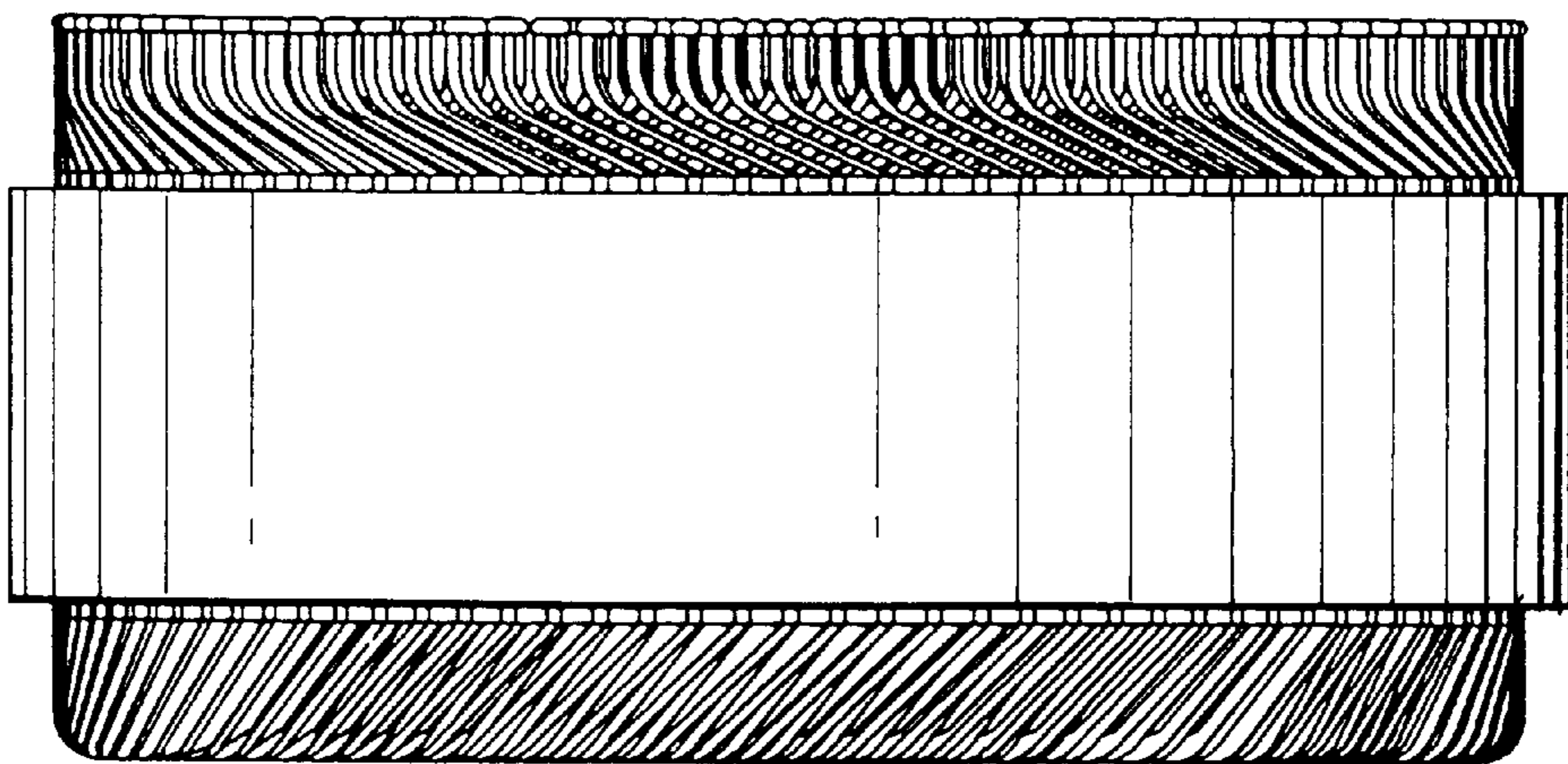


FIG. 4

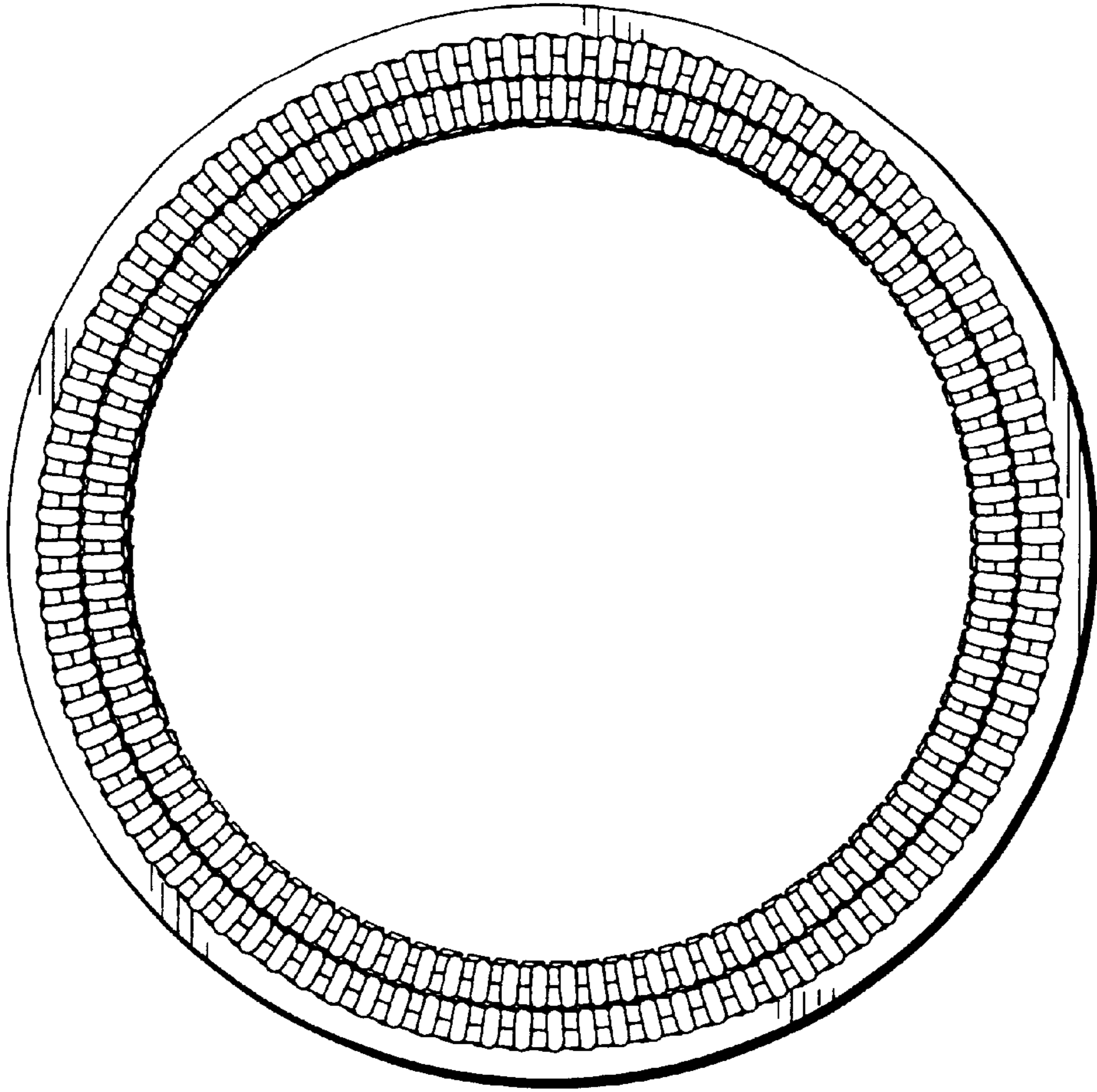
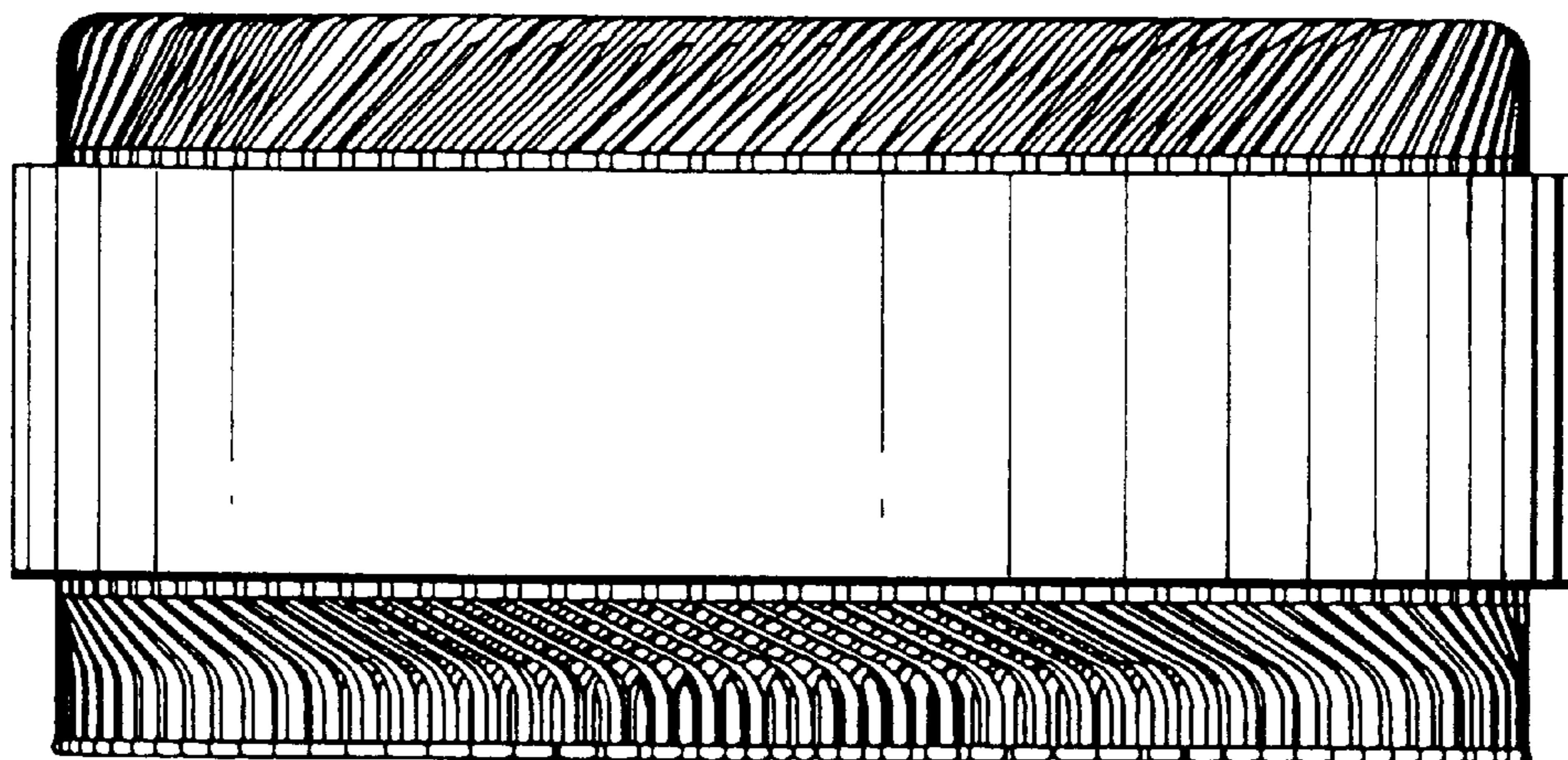


FIG. 5



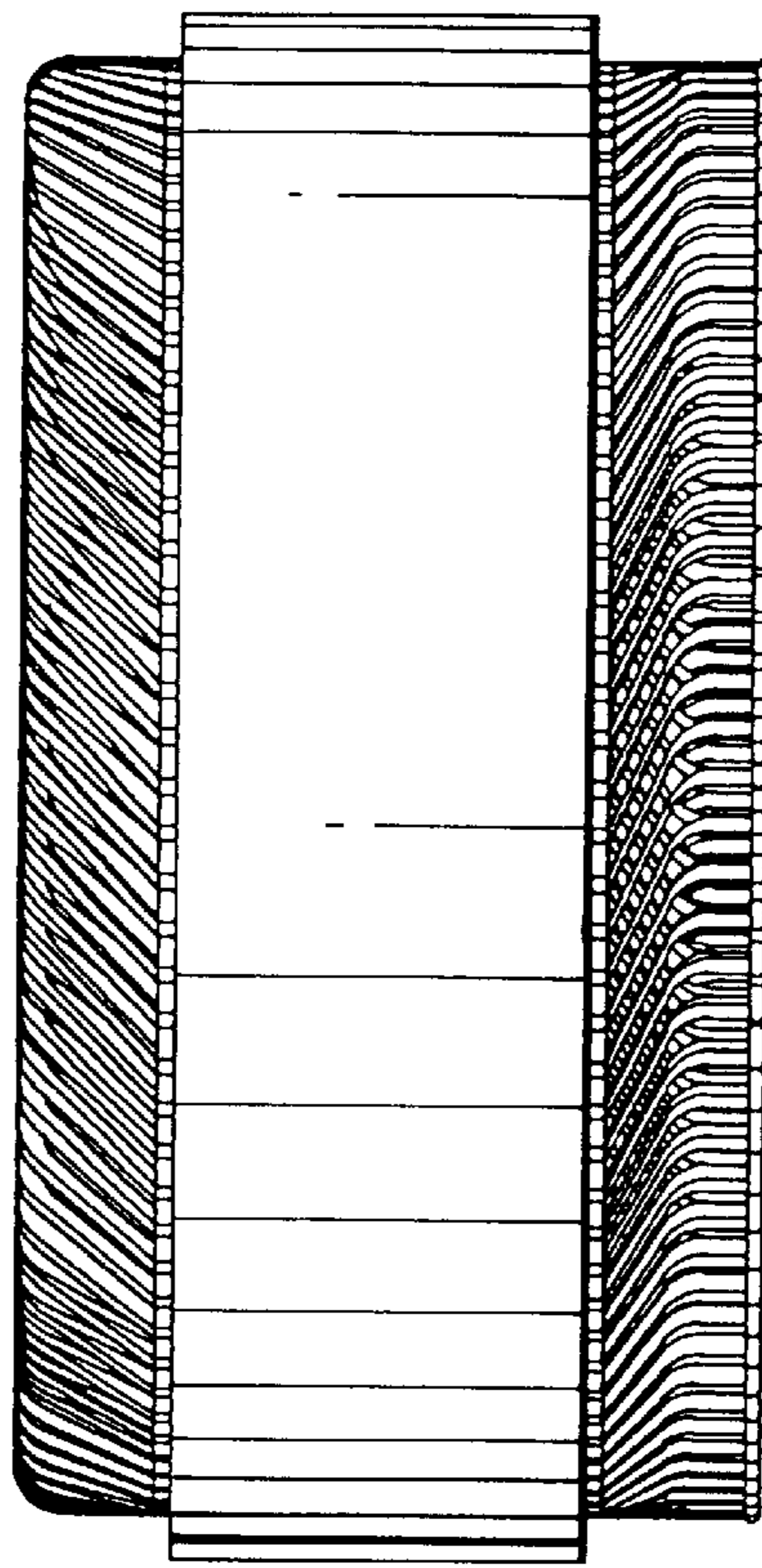


FIG. 6

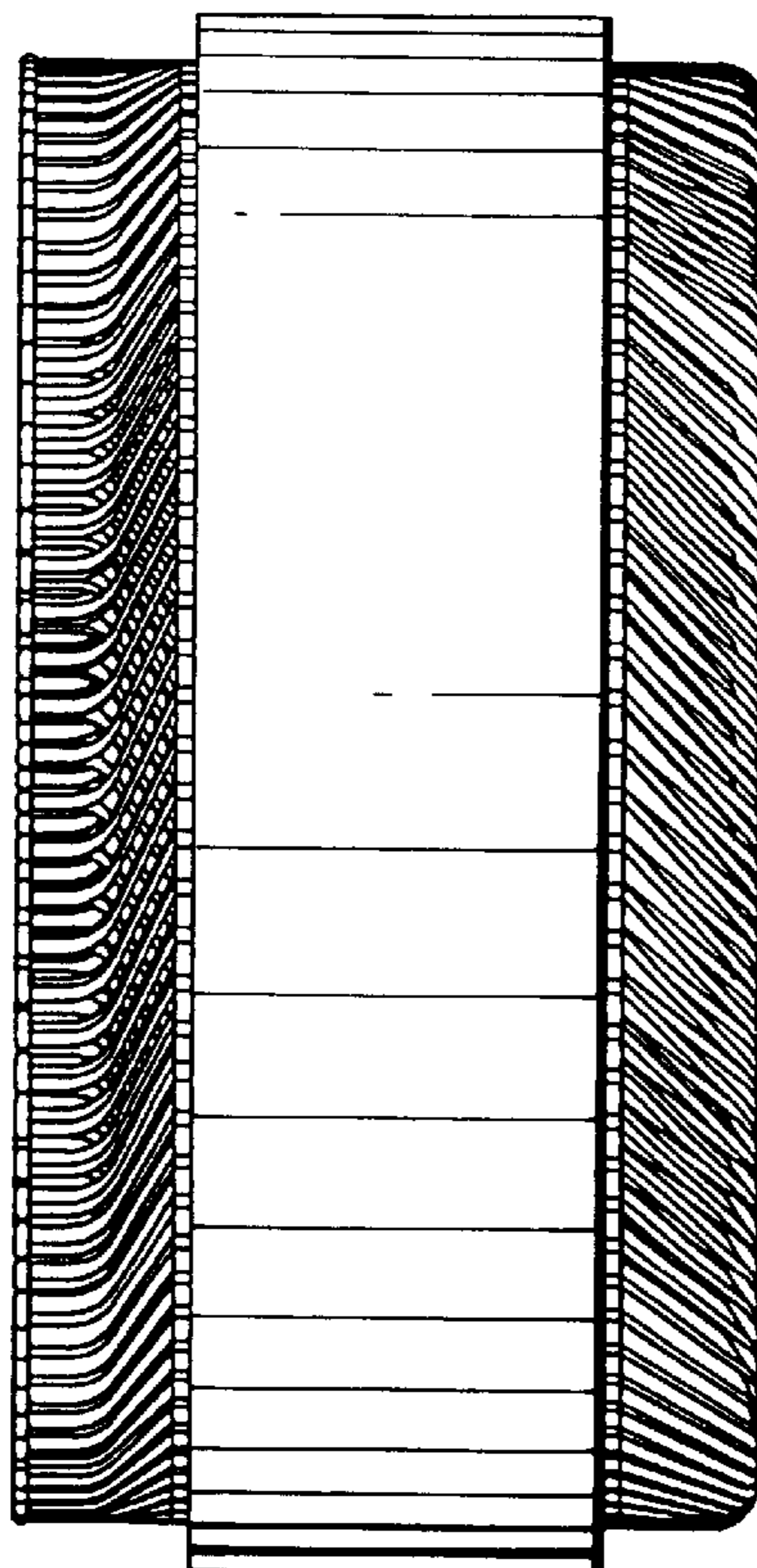


FIG. 7