



US00D448341B1

(12) **United States Design Patent**
Liang

(10) **Patent No.:** **US D448,341 S**

(45) **Date of Patent:** **** Sep. 25, 2001**

(54) **ELECTRIC COUPLER FOR BATTERIES**

5,407,369 * 4/1995 Oster 439/762
5,707,258 * 1/1998 Pilotti 439/763

(76) **Inventor:** **Shih Tsung Liang**, P.O.Box 10-69,
Chong Ho, Taipei (TW), 235

* cited by examiner

(**) **Term:** **14 Years**

Primary Examiner—Joel Sincavage

(21) **Appl. No.:** **29/140,699**

(57) **CLAIM**

(22) **Filed:** **Apr. 20, 2001**

The ornamental design for an electric coupler for batteries,
as shown and described.

(51) **LOC (7) Cl.** **13-02**

DESCRIPTION

(52) **U.S. Cl.** **D13/120**

(58) **Field of Search** D13/120, 151;
439/762, 763, 764, 798

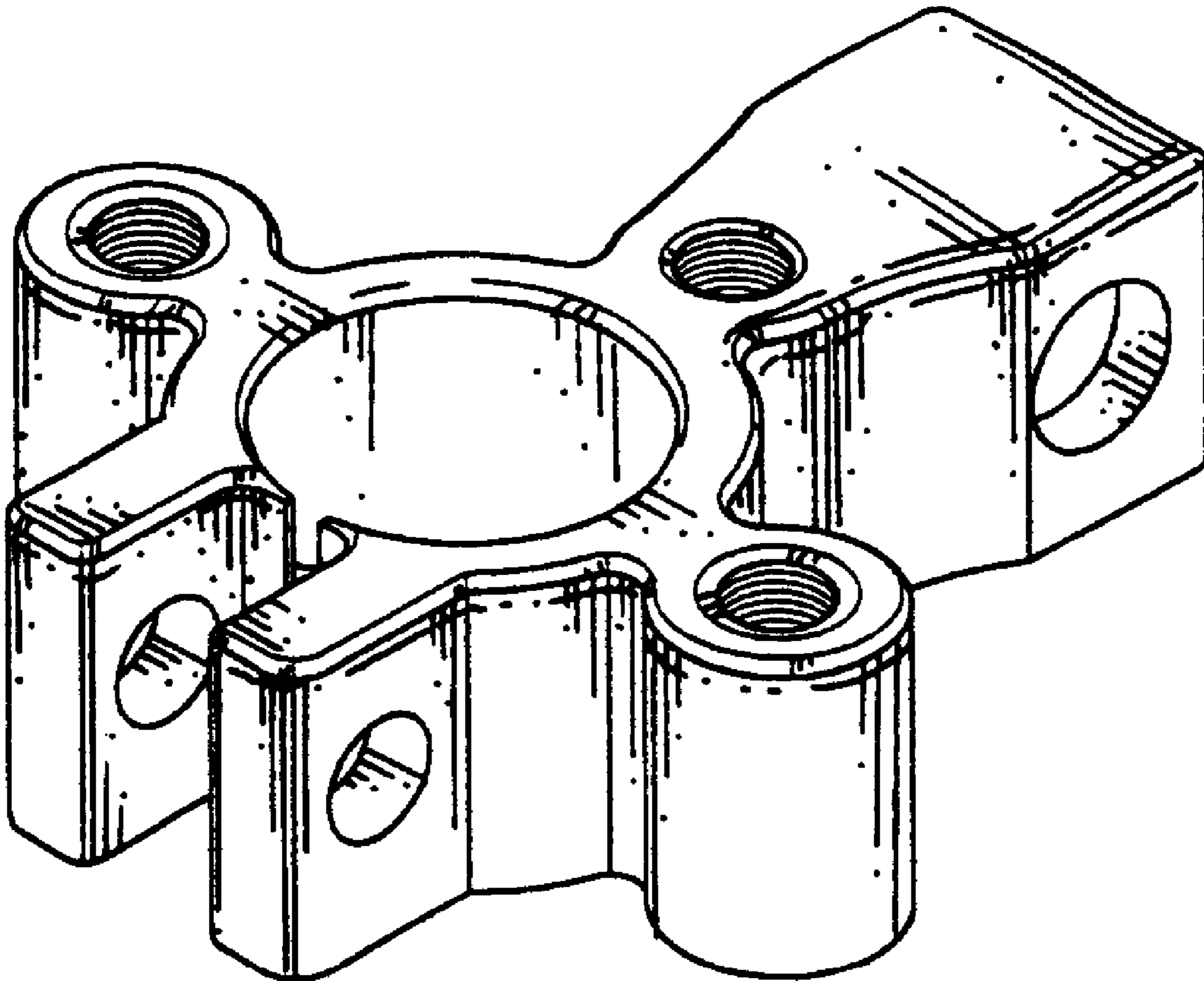
FIG. 1 is a perspective view of an electric coupler for
batteries showing my new design;
FIG. 2 is a front elevational view thereof;
FIG. 3 is a rear elevational view thereof;
FIG. 4 is a top plan view thereof;
FIG. 5 is a bottom plan view thereof;
FIG. 6 is a left side elevational view thereof; and,
FIG. 7 is a right side elevational view thereof.

(56) **References Cited**

U.S. PATENT DOCUMENTS

D. 361,750 * 8/1995 Ansley D13/151
D. 399,487 * 10/1998 Awbrey et al. D13/120
D. 438,173 * 2/2001 Liang D13/120
4,636,025 * 1/1987 Norris 439/764 X

1 Claim, 2 Drawing Sheets



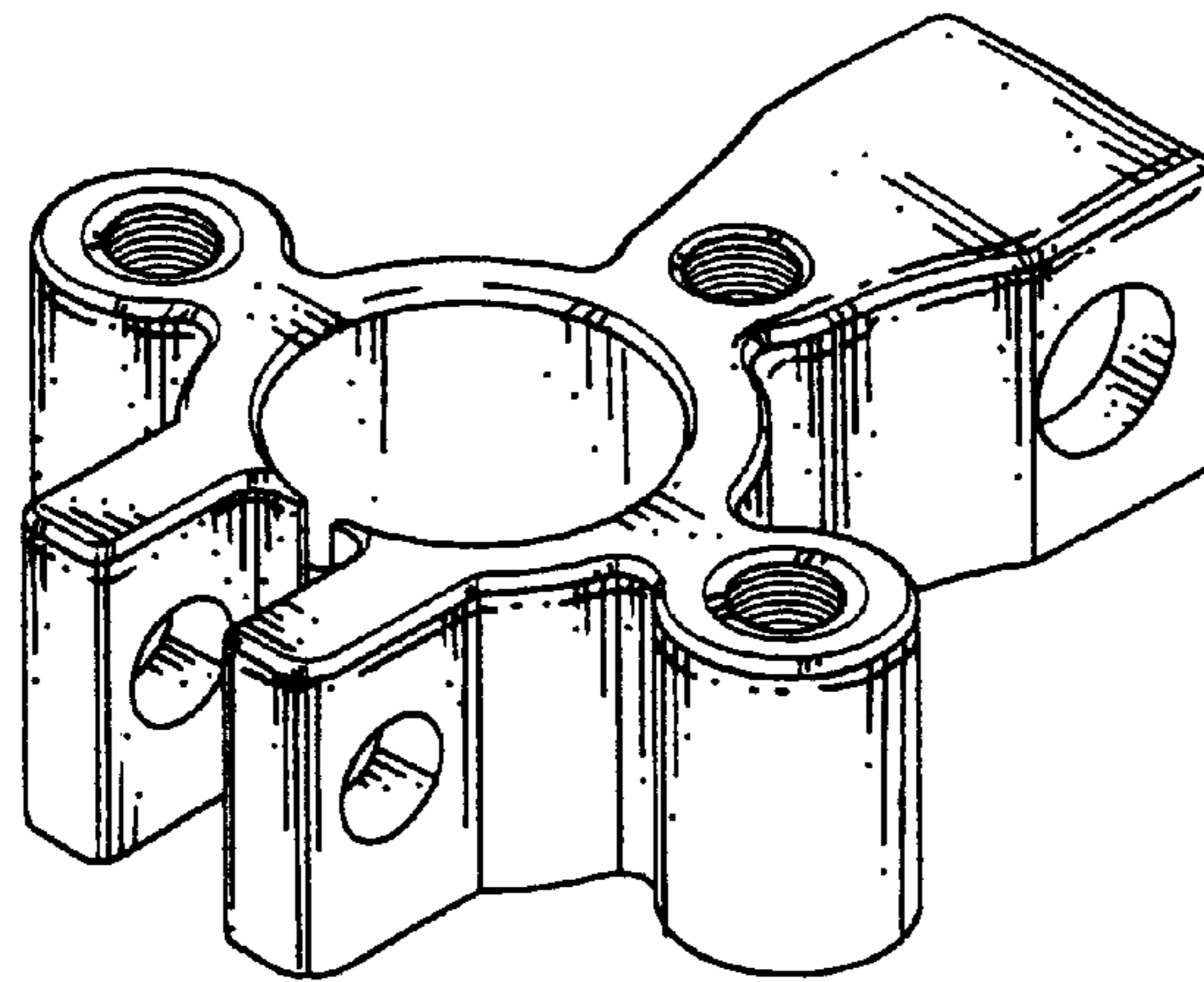


FIG. 1

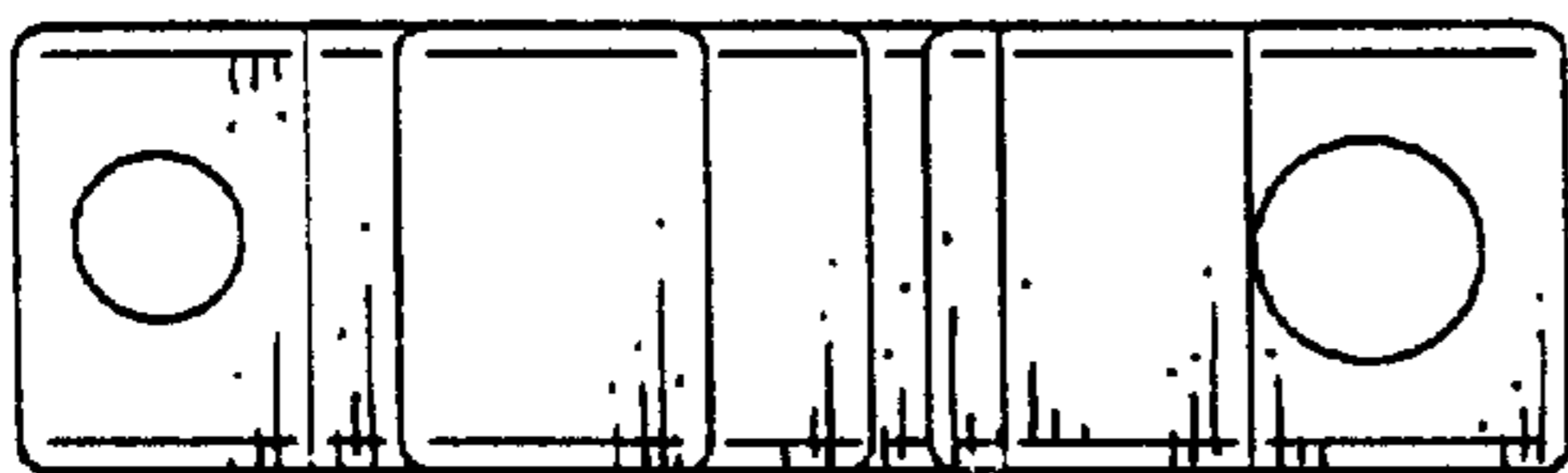


FIG. 2



FIG. 3

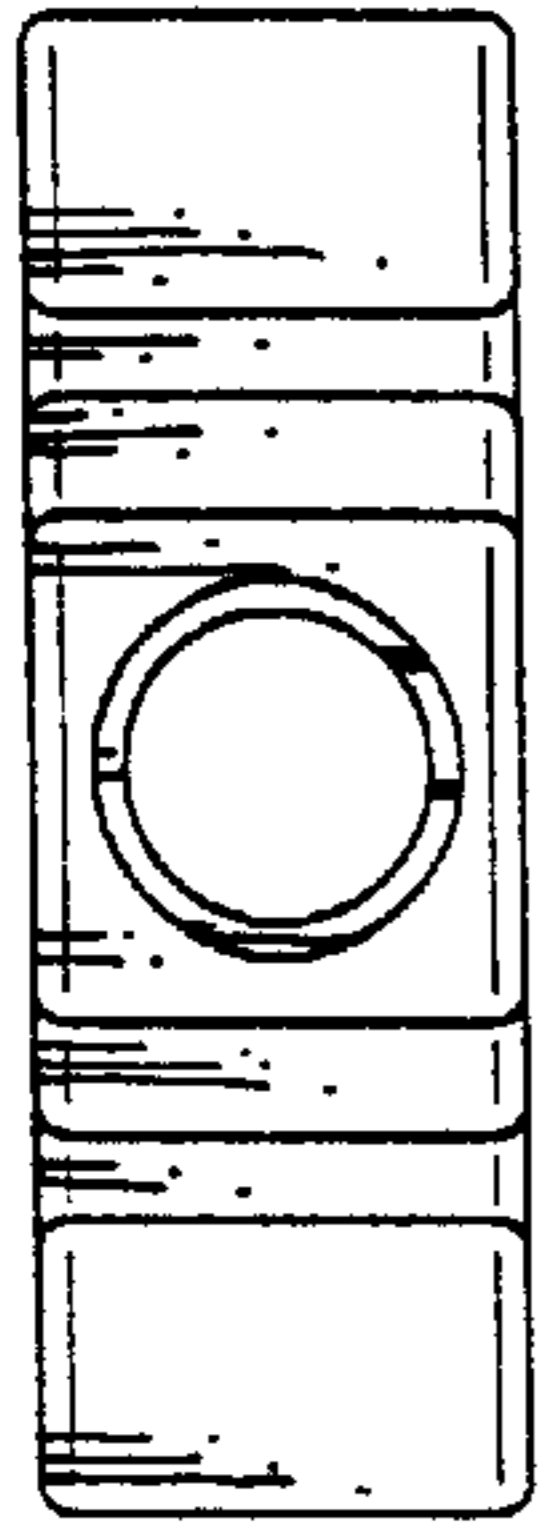


FIG. 7

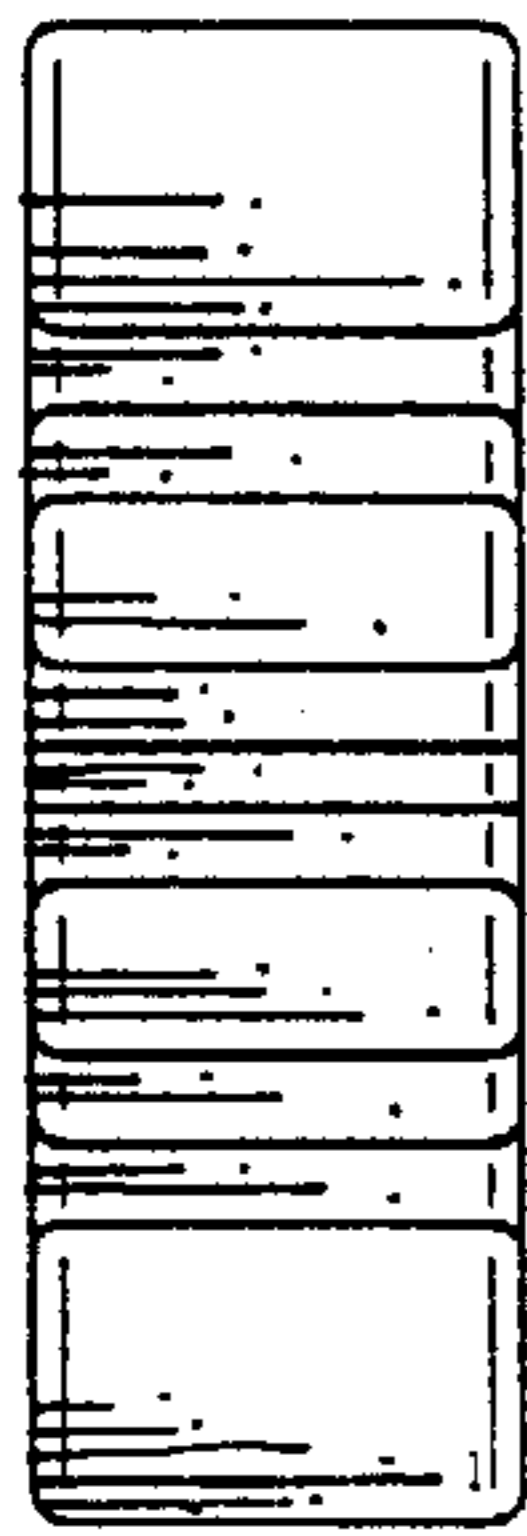


FIG. 6

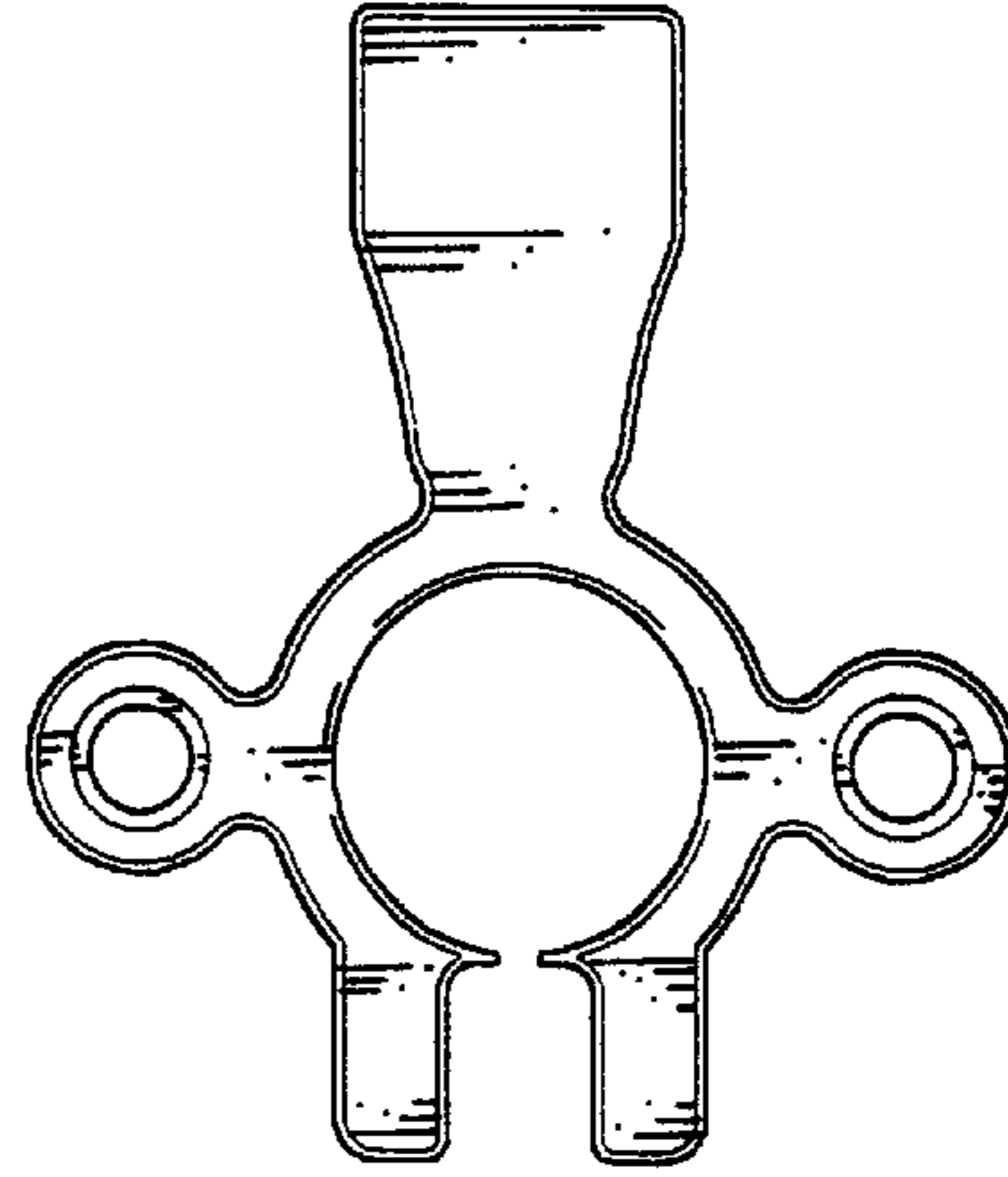


FIG. 5

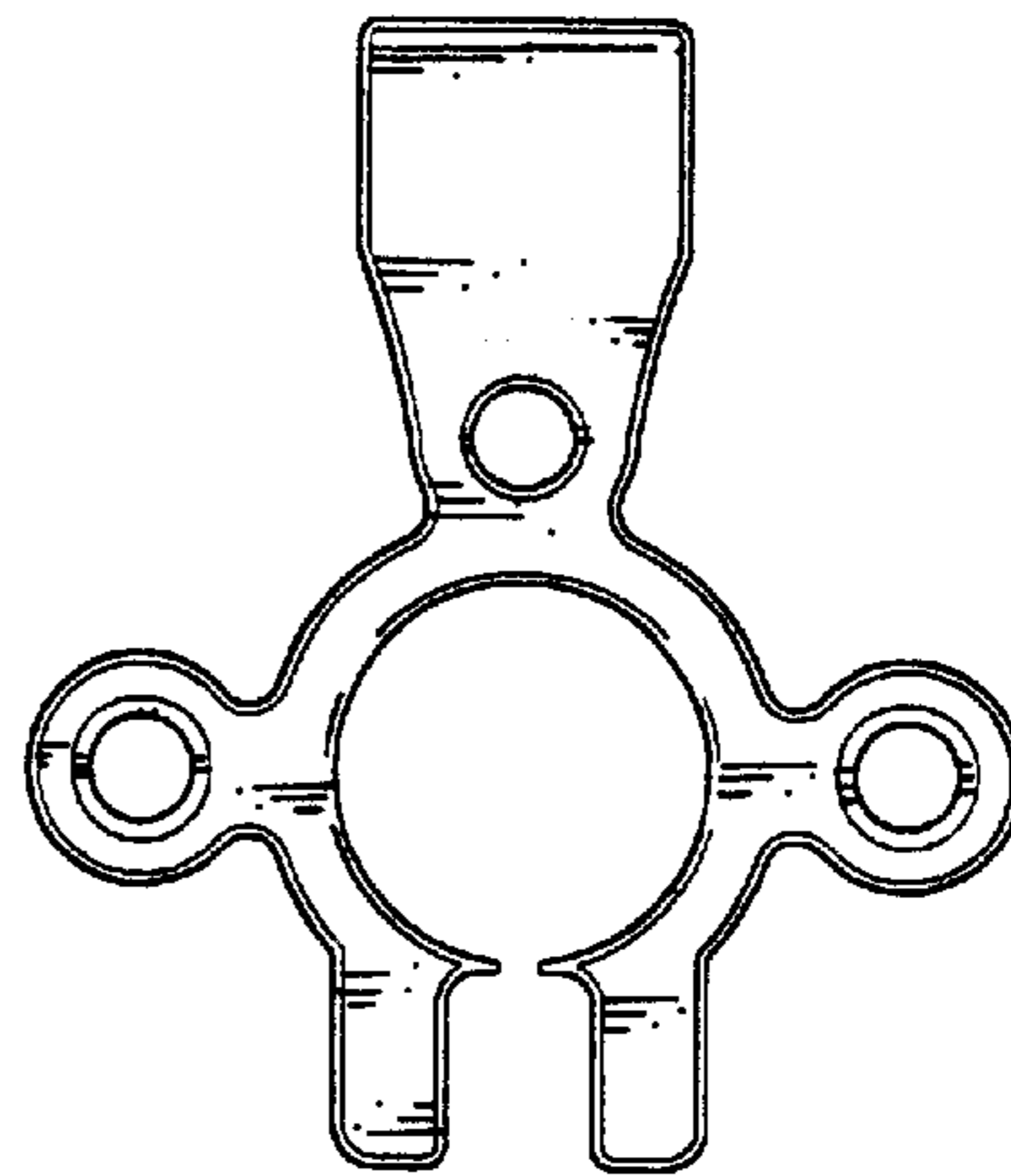


FIG. 4