



US00D448340B1

(12) **United States Design Patent**  
**Hall et al.**

(10) **Patent No.:** **US D448,340 S**

(45) **Date of Patent:** **\*\* Sep. 25, 2001**

- (54) **INTERCOM BATTERY PANEL**
- (75) Inventors: **Ronald W. Hall**, Stillwater, MN (US);  
**Harry B. Taylor**, Lafayette, CO (US)
- (73) Assignee: **3M Innovative Properties Company**,  
St. Paul, MN (US)
- (\*\*) Term: **14 Years**
- (21) Appl. No.: **29/120,342**
- (22) Filed: **Mar. 16, 2000**
- (51) **LOC (7) Cl.** ..... **13-02**
- (52) **U.S. Cl.** ..... **D13/119**
- (58) **Field of Search** ..... D13/103, 119;  
429/96-100, 159, 163, 176

3,769,095	10/1973	Schmidt	.....	136/166
3,977,907	8/1976	Roth et al.	.....	136/132
4,117,203	9/1978	Sjogren	.....	429/7

(List continued on next page.)

**FOREIGN PATENT DOCUMENTS**

08298104	*	11/1996	(JP)	.....	H01M/2/10
409283103A		10/1997	(JP)	.....	H01M/2/10

*Primary Examiner*—Joel Sincavage

(74) *Attorney, Agent, or Firm*—Merchant & Gould P.C.

(57) **CLAIM**

The ornamental design for an intercom battery panel, as shown and described.

**DESCRIPTION**

FIG. 1 is a top perspective view of an exemplary battery having an exemplary battery panel in accordance with the present invention, where the battery panel of the present invention is not visible;

FIG. 2 is a bottom perspective view of the exemplary battery having the exemplary battery panel in accordance with the present invention;

FIG. 3 is a left side view of the exemplary battery of FIGS. 1 and 2;

FIG. 4 is a right side view of the exemplary battery of FIGS. 1 and 2;

FIG. 5 is a top view of the exemplary battery of FIGS. 1 and 2;

FIG. 6 is a view of the exemplary battery panel in accordance with the present invention;

FIG. 7 is a front view of the exemplary battery of FIGS. 1 and 2; and,

FIG. 8 is a rear view of the exemplary battery of FIGS. 1 and 2.

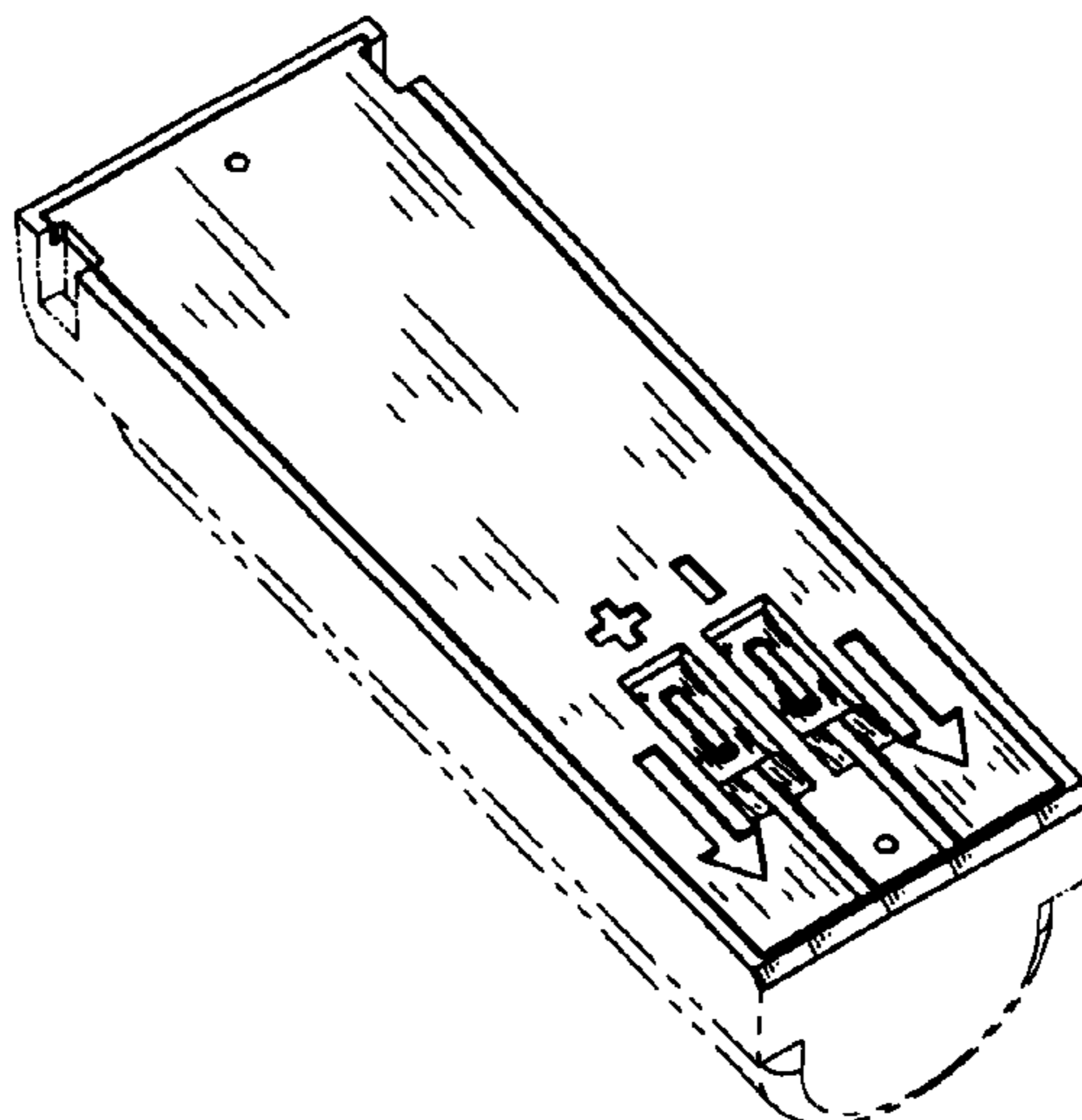
The broken lines throughout the drawing figures are included only for the purpose of illustrating an exemplary environment for the battery panel and form no part of the claimed design.

**1 Claim, 1 Drawing Sheet**

(56) **References Cited**

**U.S. PATENT DOCUMENTS**

D. 264,961	6/1982	Oxenreider	.....	D13/10
D. 298,029	10/1988	Foster	.....	D13/8
D. 321,500	11/1991	Fukuda	.....	D13/103
D. 321,680	11/1991	Blount et al.	.....	D13/103
D. 358,126	* 5/1995	Sakuma et al.	.....	D13/103
D. 363,055	* 10/1995	Kobayashi et al.	.....	D13/103
D. 387,328	12/1997	Ueda	.....	D13/103
D. 390,187	2/1998	Urvoy	.....	D13/103
D. 393,624	4/1998	Shim	.....	D13/103
D. 399,819	10/1998	Iida	.....	D13/103
D. 400,160	10/1998	Nagano	.....	D13/103
D. 400,497	11/1998	Sabag et al.	.....	D13/103
D. 400,849	11/1998	Ikeda et al.	.....	D13/106
D. 402,955	12/1998	Smith et al.	.....	D13/103
D. 403,298	12/1998	Hall et al.	.....	D13/103
D. 403,299	12/1998	Smith et al.	.....	D13/103
D. 403,300	* 12/1998	Renk	.....	D13/103
D. 408,351	4/1999	Shim	.....	D13/103
D. 409,559	5/1999	Shim	.....	D13/103
D. 409,560	5/1999	Shim	.....	D13/103
D. 409,975	5/1999	Zeller	.....	D13/103
D. 417,861	* 12/1999	Maeyama	.....	D13/103
D. 419,131	6/2000	Andrews et al.	.....	D13/103



# US D448,340 S

Page 2

---

U.S. PATENT DOCUMENTS						
			5,405,716	4/1995	Yoshimatsu et al. ....	429/65
4,125,681	11/1978	Sjogren .....	5,895,728	4/1999	Walker et al. ....	429/53
4,323,156	4/1982	Grueneberg .....	6,004,689	12/1999	Walker et al. ....	429/53
4,431,717	2/1984	Kikuchi .....				
5,212,020	5/1993	Inobe .....				

\* cited by examiner

FIG. 1

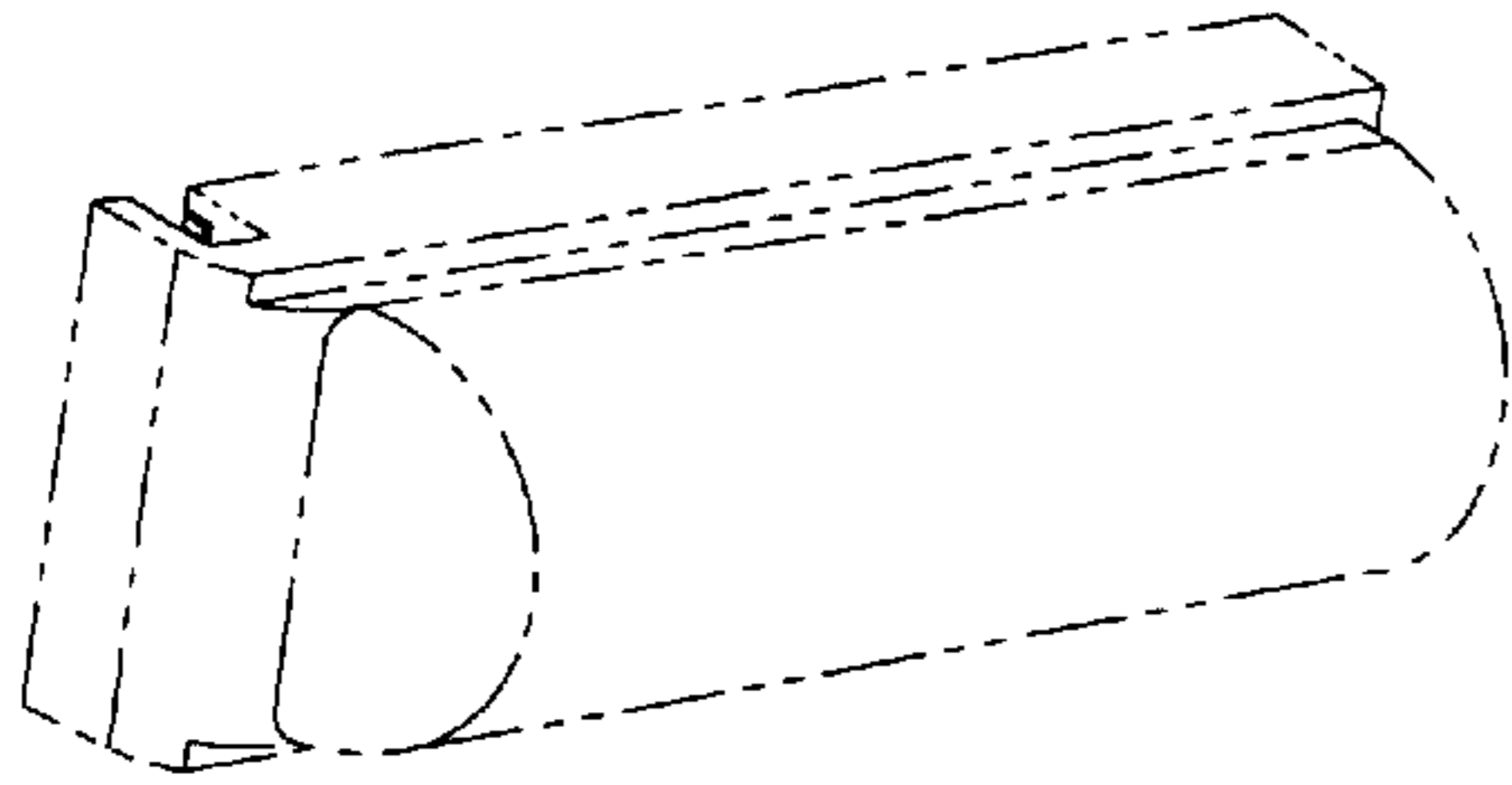


FIG. 2

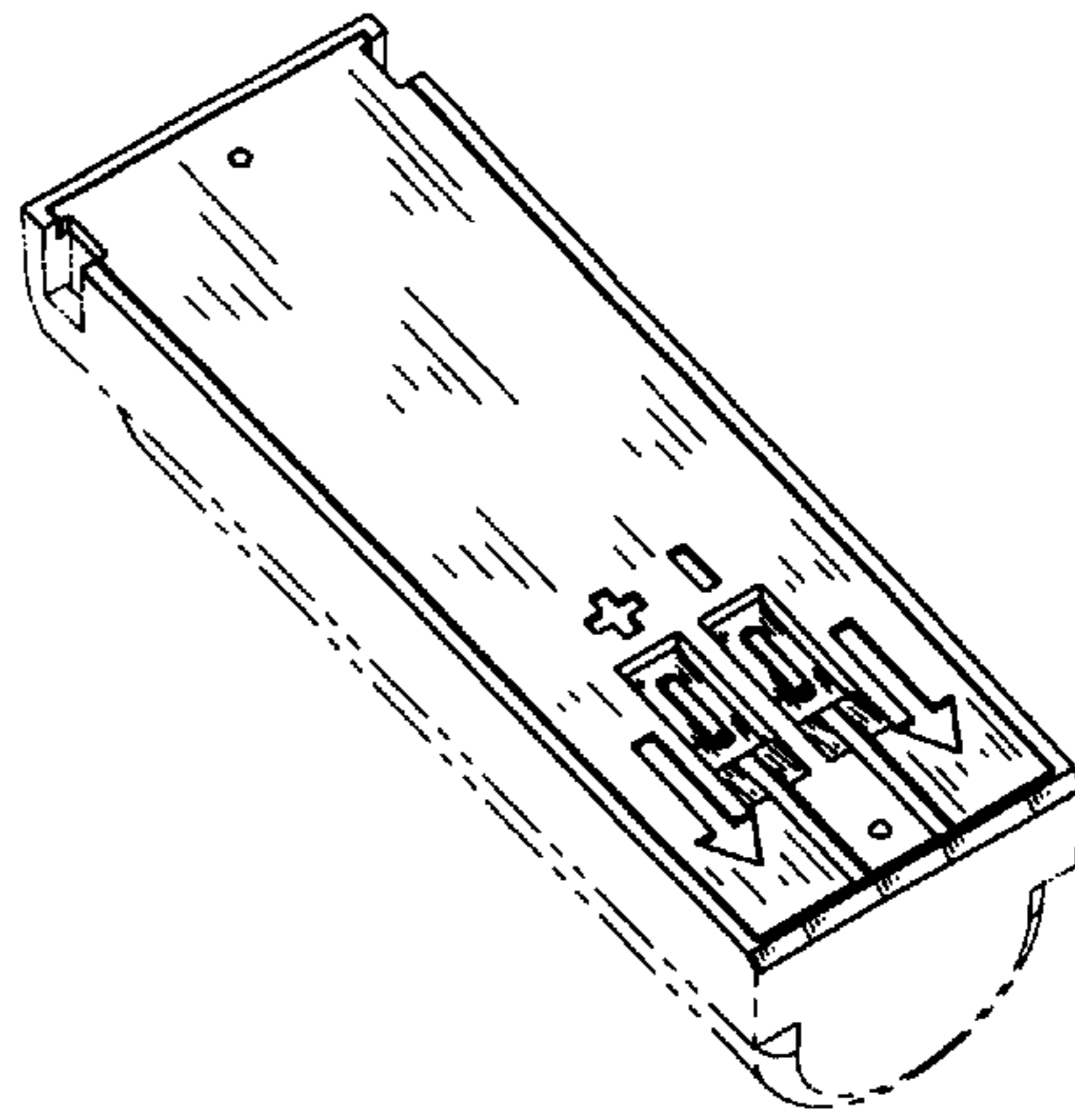


FIG. 3

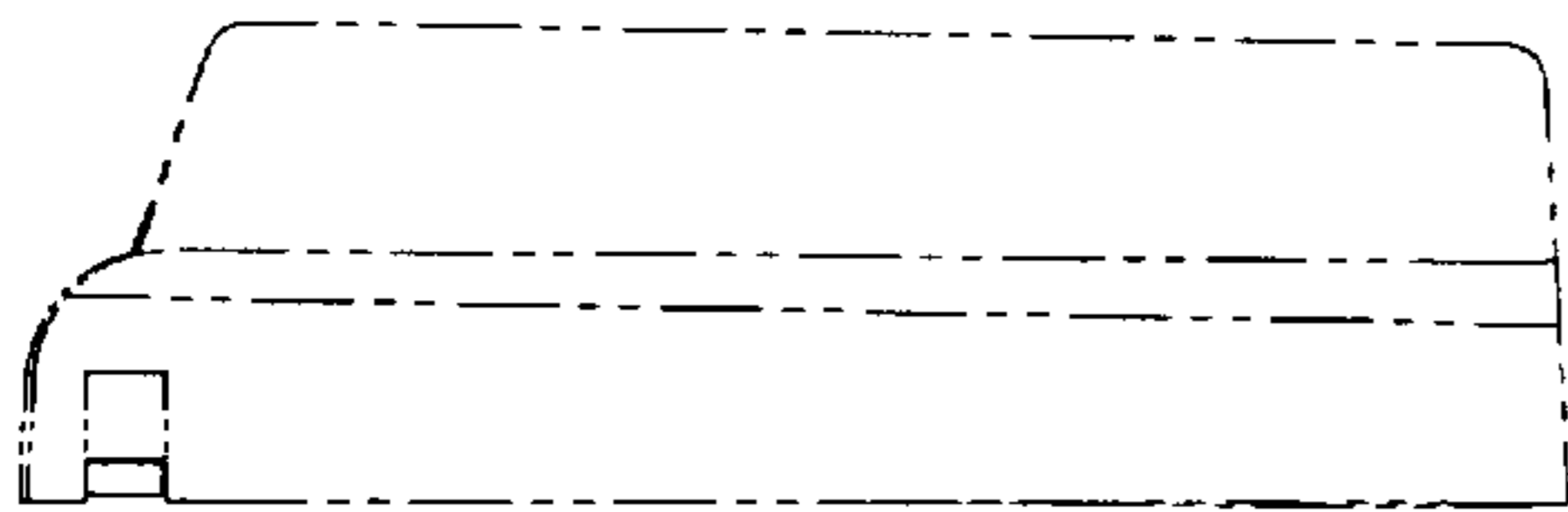


FIG. 4

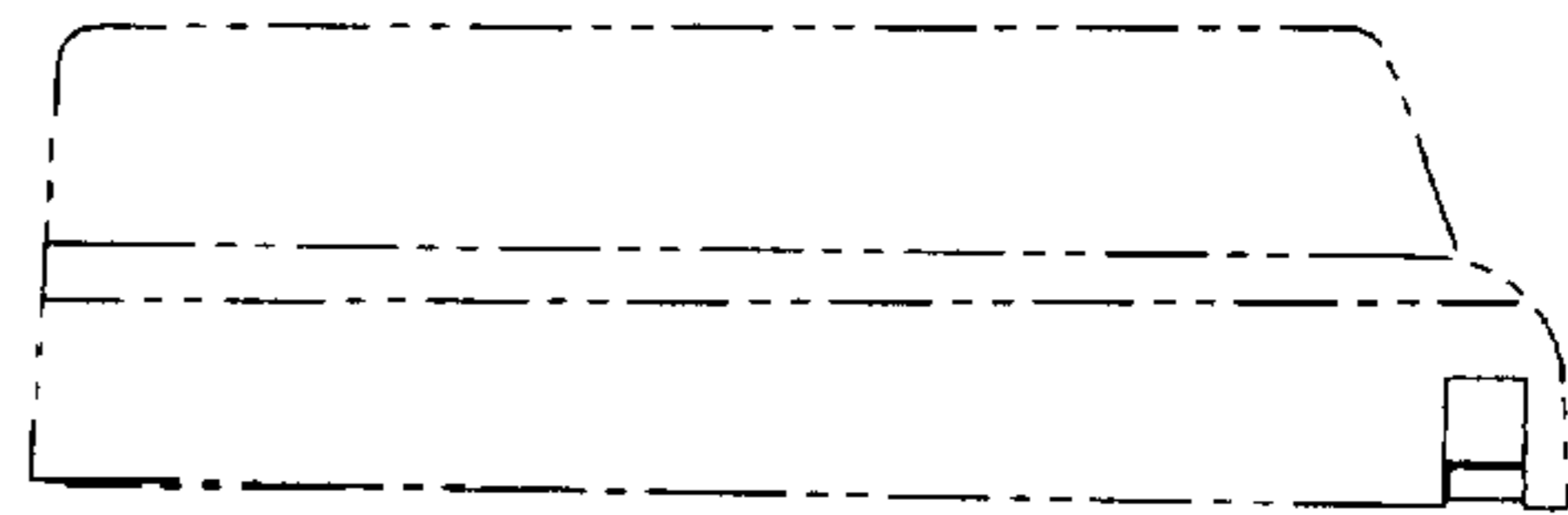


FIG. 5

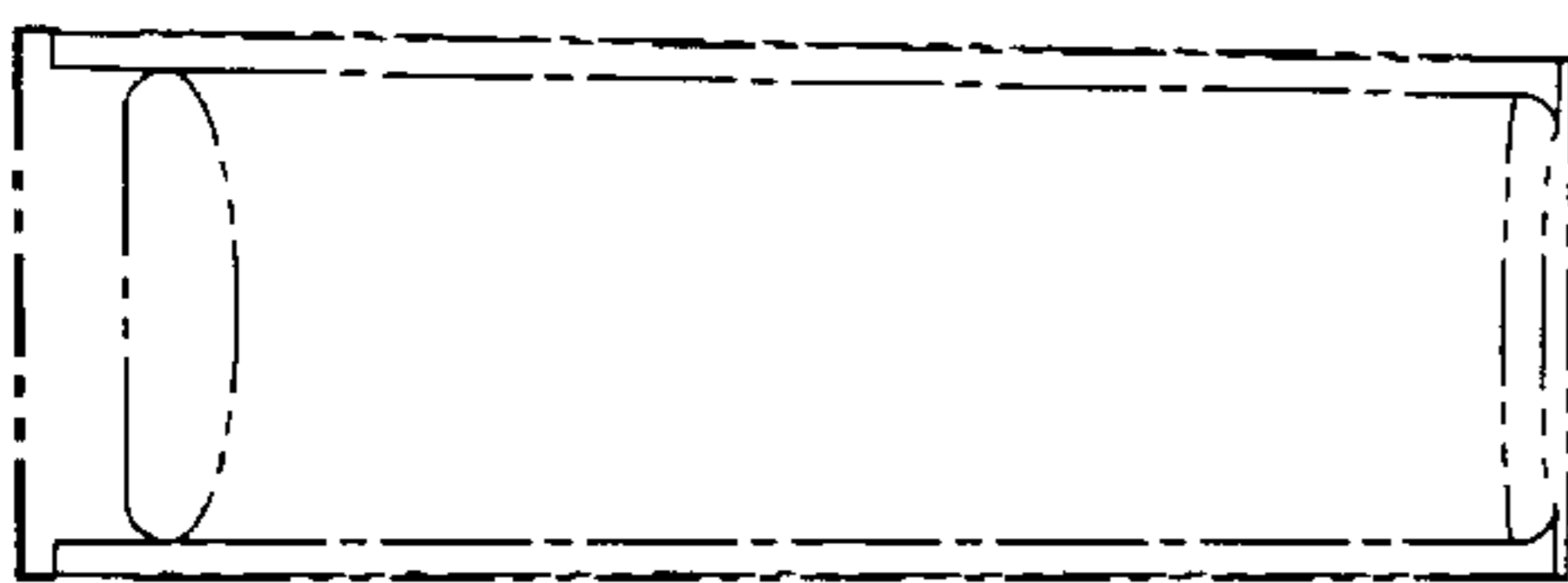


FIG. 6

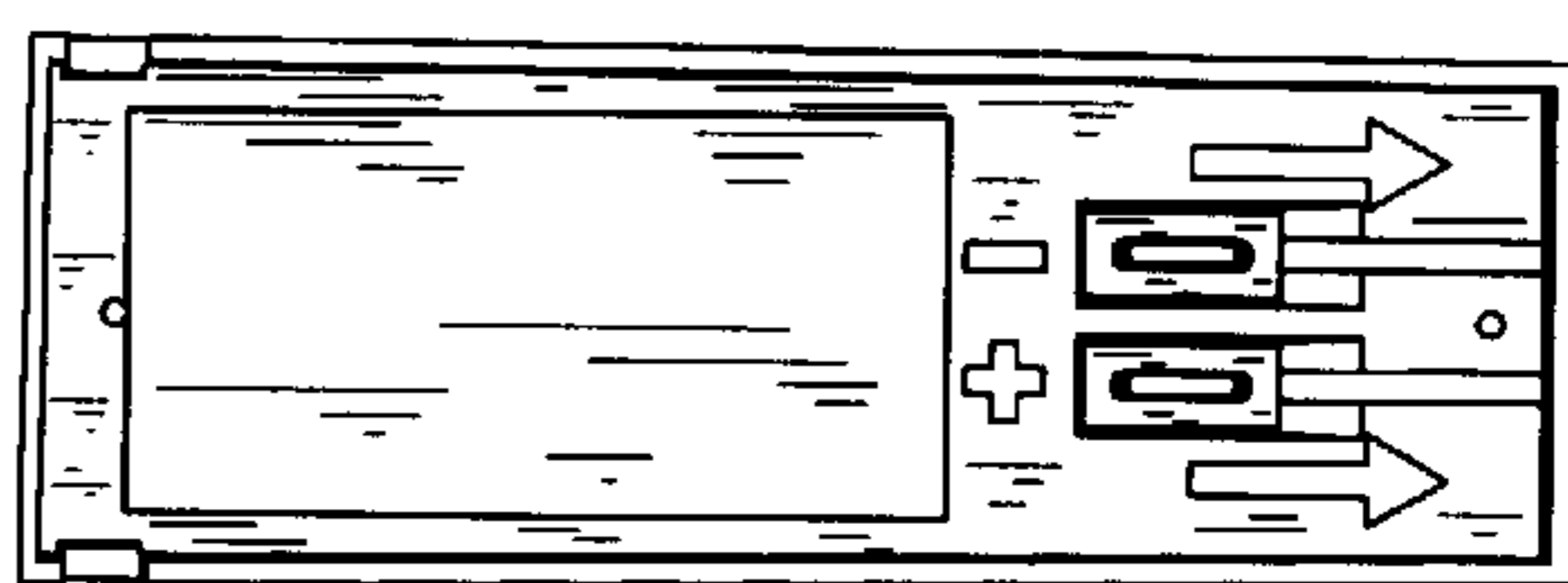


FIG. 7

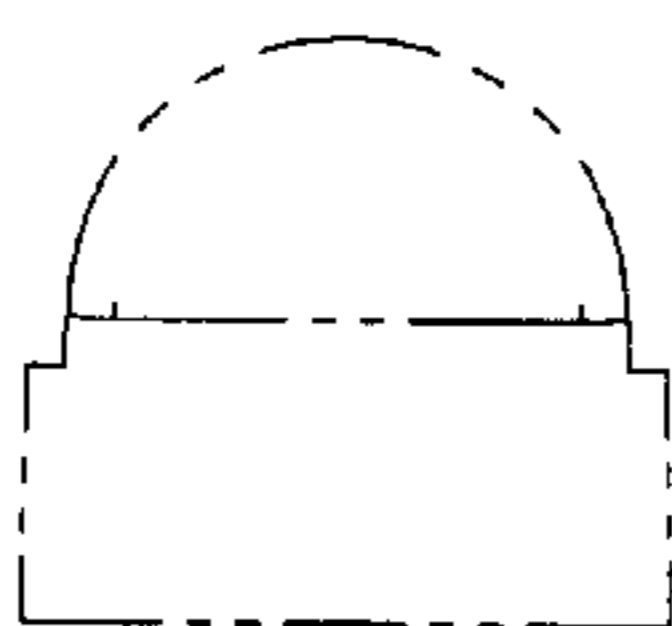


FIG. 8

