



US00D448338B1

(12) **United States Design Patent**
Duvall

(10) **Patent No.:** **US D448,338 S**

(45) **Date of Patent:** **** Sep. 25, 2001**

(54) **HAND GRIP FOR A WHEEL CHOCK**

(75) Inventor: **John F. Duvall**, Highlands Ranch, CO (US)

(73) Assignee: **Checkers Industrial Products, Inc.**, Louisville, CO (US)

(**) Term: **14 Years**

(21) Appl. No.: **29/116,442**

(22) Filed: **Jan. 3, 2000**

(51) **LOC (7) Cl.** **12-06**

(52) **U.S. Cl.** **D12/217**

(58) **Field of Search** D12/217, 114,
D12/120; D8/374, 350, 353, 331, 343,
346, 349, 354, 380; D6/495; 188/4 R, 32,
36; 280/293

(56) **References Cited**

U.S. PATENT DOCUMENTS

D. 229,330	*	11/1973	Miles	D12/217
D. 402,616	*	12/1998	Henry	D12/217
D. 407,059	*	3/1999	Henry	D12/217
D. 412,481	*	8/1999	Henry	D12/217
D. 415,463	*	10/1999	Henry	D12/217
5,687,516	*	11/1997	Sheehan et al.	188/32

* cited by examiner

Primary Examiner—Doris V. Coles

Assistant Examiner—T. Chase Nelson

(74) *Attorney, Agent, or Firm*—Dorr, Carson, Sloan & Birney, P.C.

(57) **CLAIM**

The ornamental design for a hand grip for a wheel chock, as shown and described.

DESCRIPTION

FIG. 1 is a front perspective view of a hand grip for a wheel chock showing my new design, it being understood that the portions of the wheel chock shown in broken lines form no part of the claimed design.

FIG. 2 is a front elevational view thereof.

FIG. 3 is a right side elevational view thereof, the left side being a mirror image of that shown.

FIG. 4 is a top plan view thereof.

FIG. 5 is a bottom plan view thereof.

FIG. 6 is a front perspective view of a hand grip for a wheel chock showing a second embodiment of my new design; and,

FIG. 7 is a front elevational view of FIG. 6, it being understood that the side, top, and bottom of the second embodiment are the same as the first embodiment shown in FIGS. 3 through 5 respectively.

1 Claim, 3 Drawing Sheets

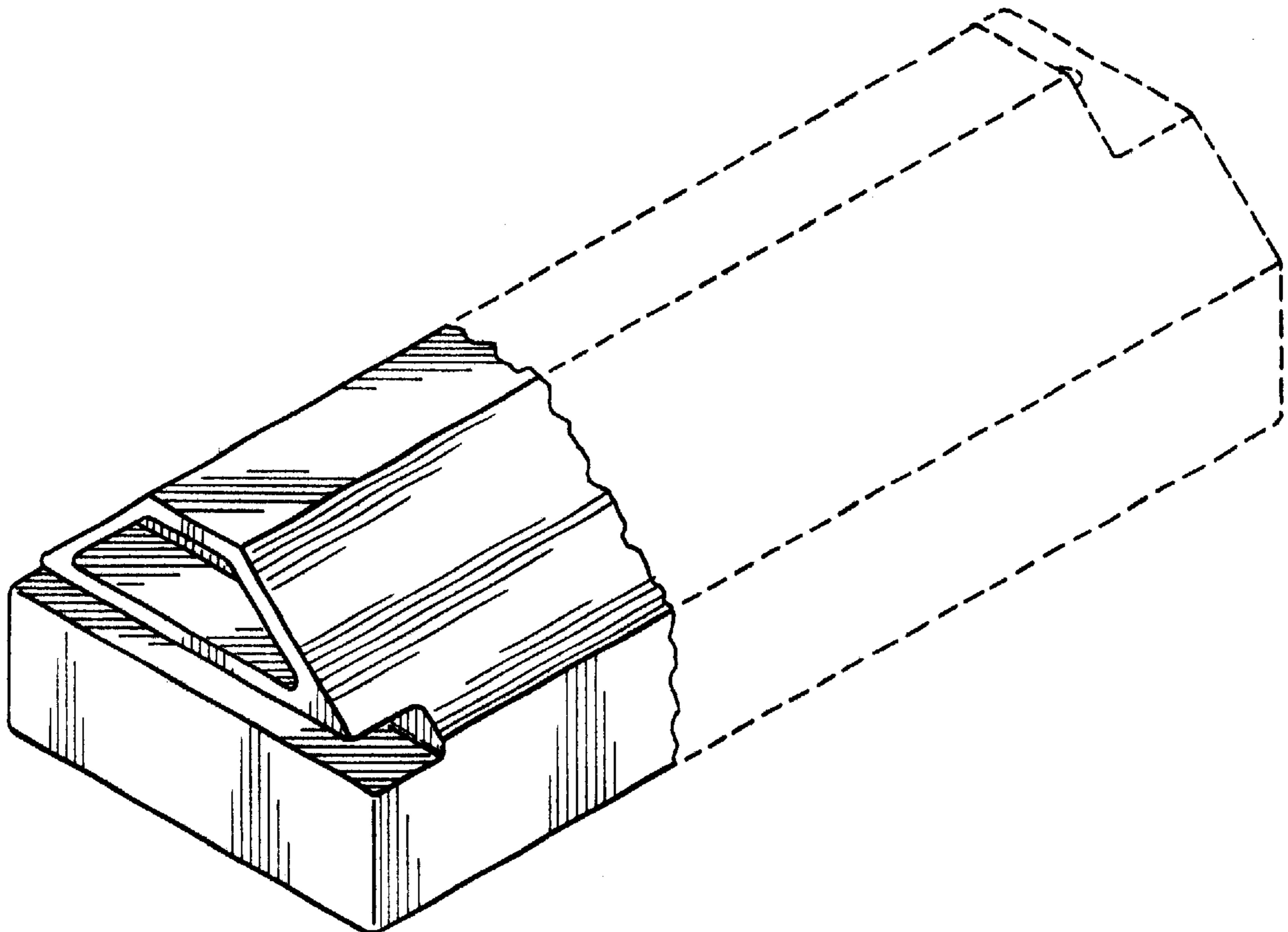


Fig. 1

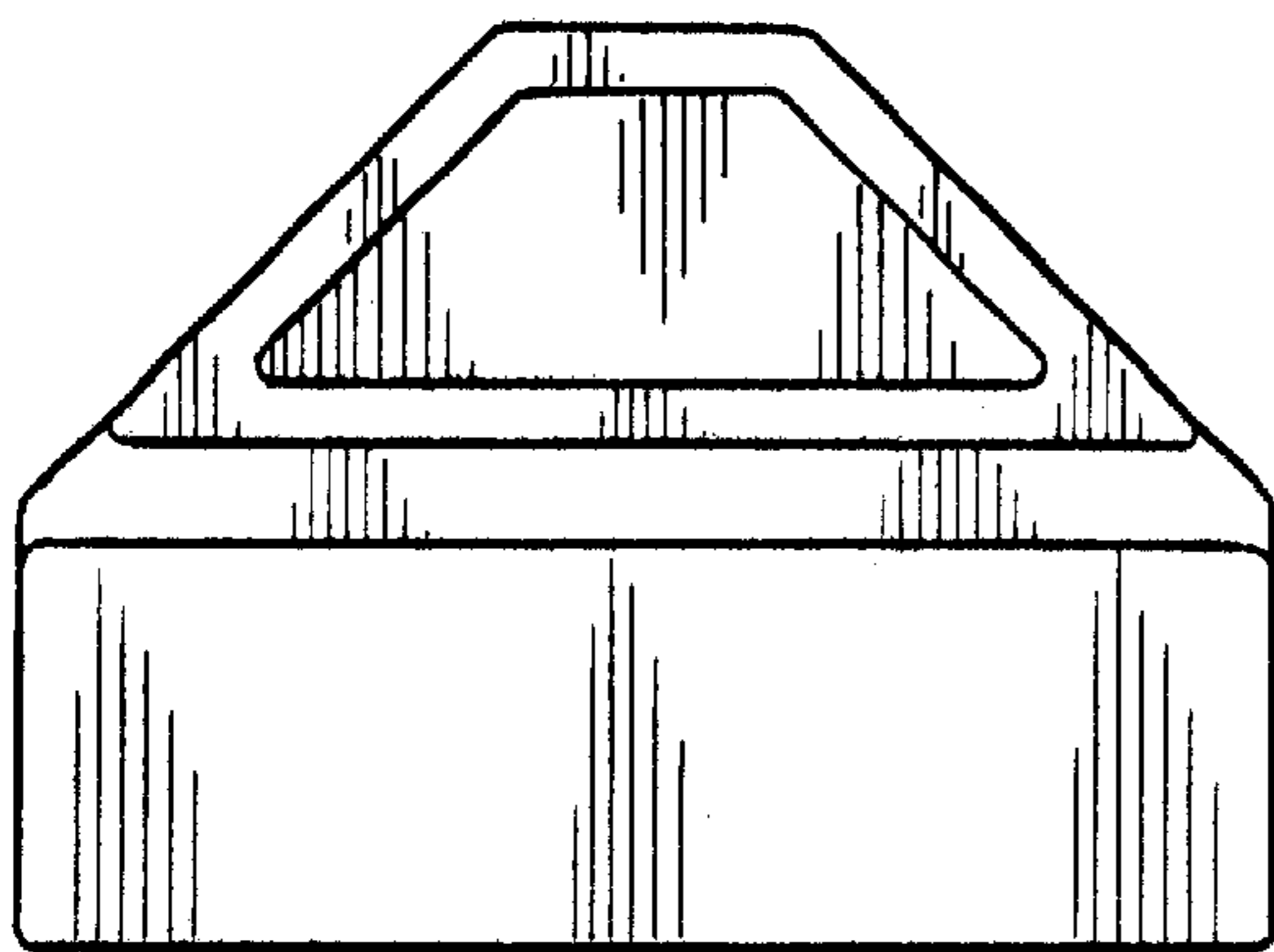
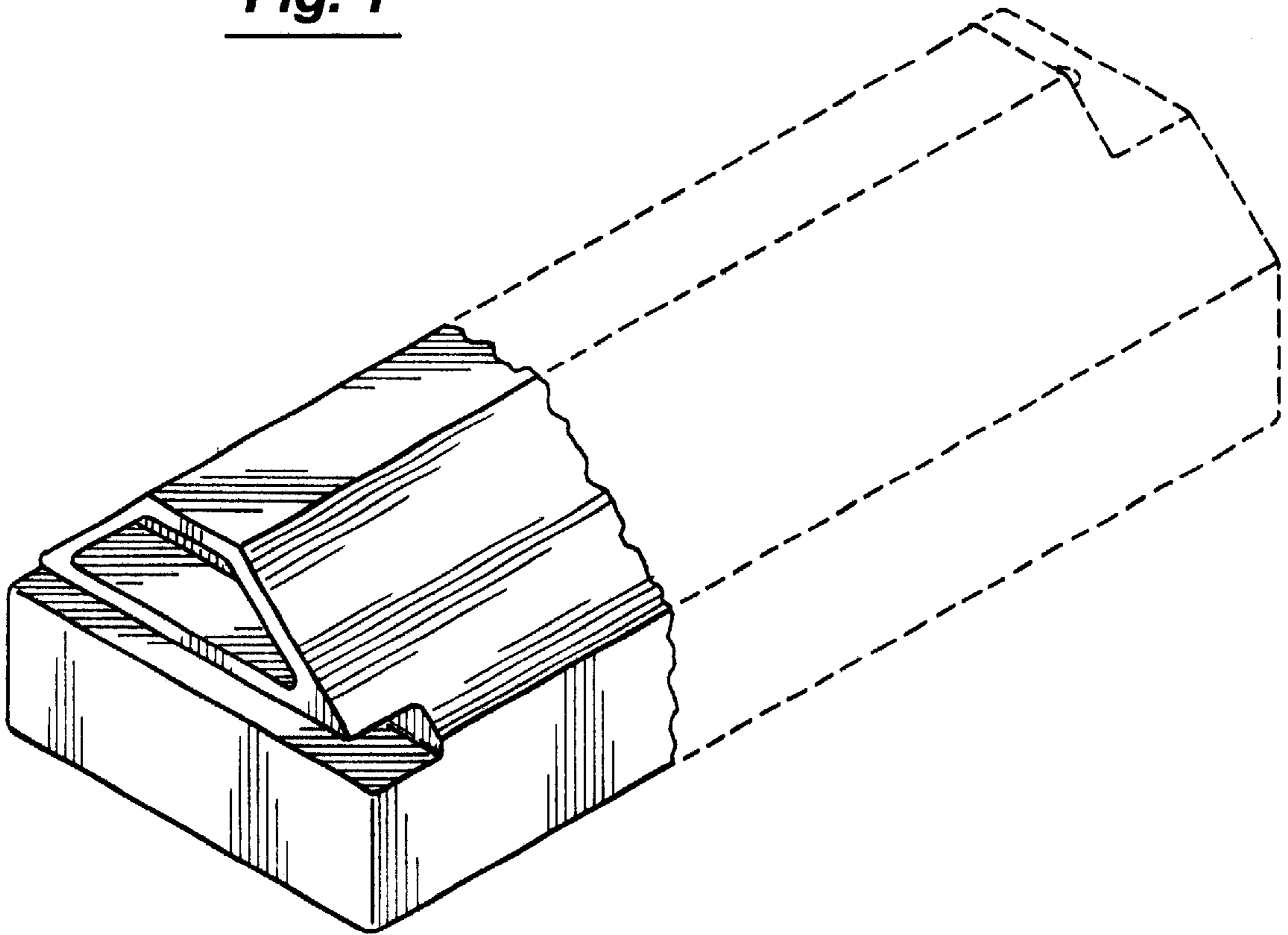


Fig. 2

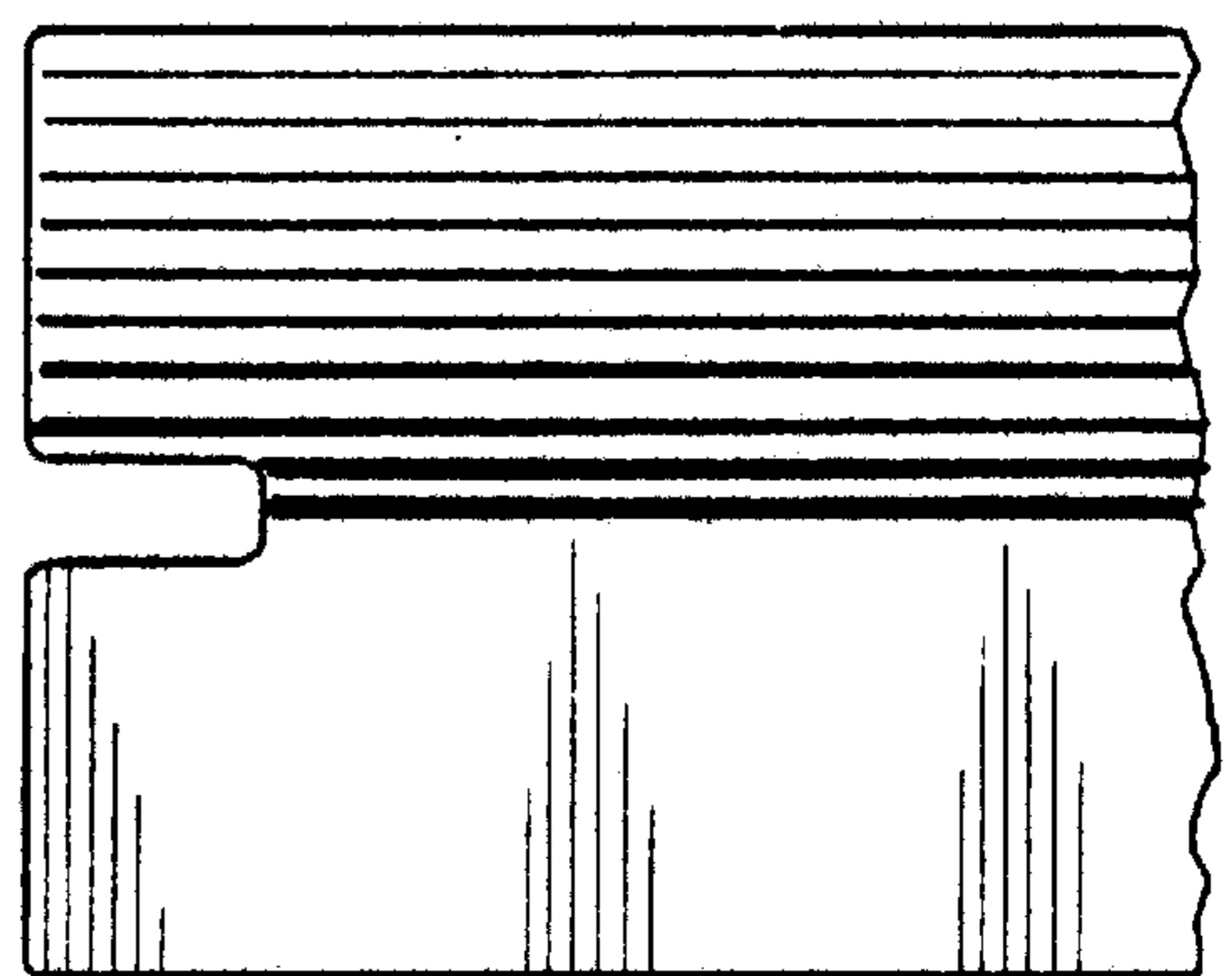


Fig. 3

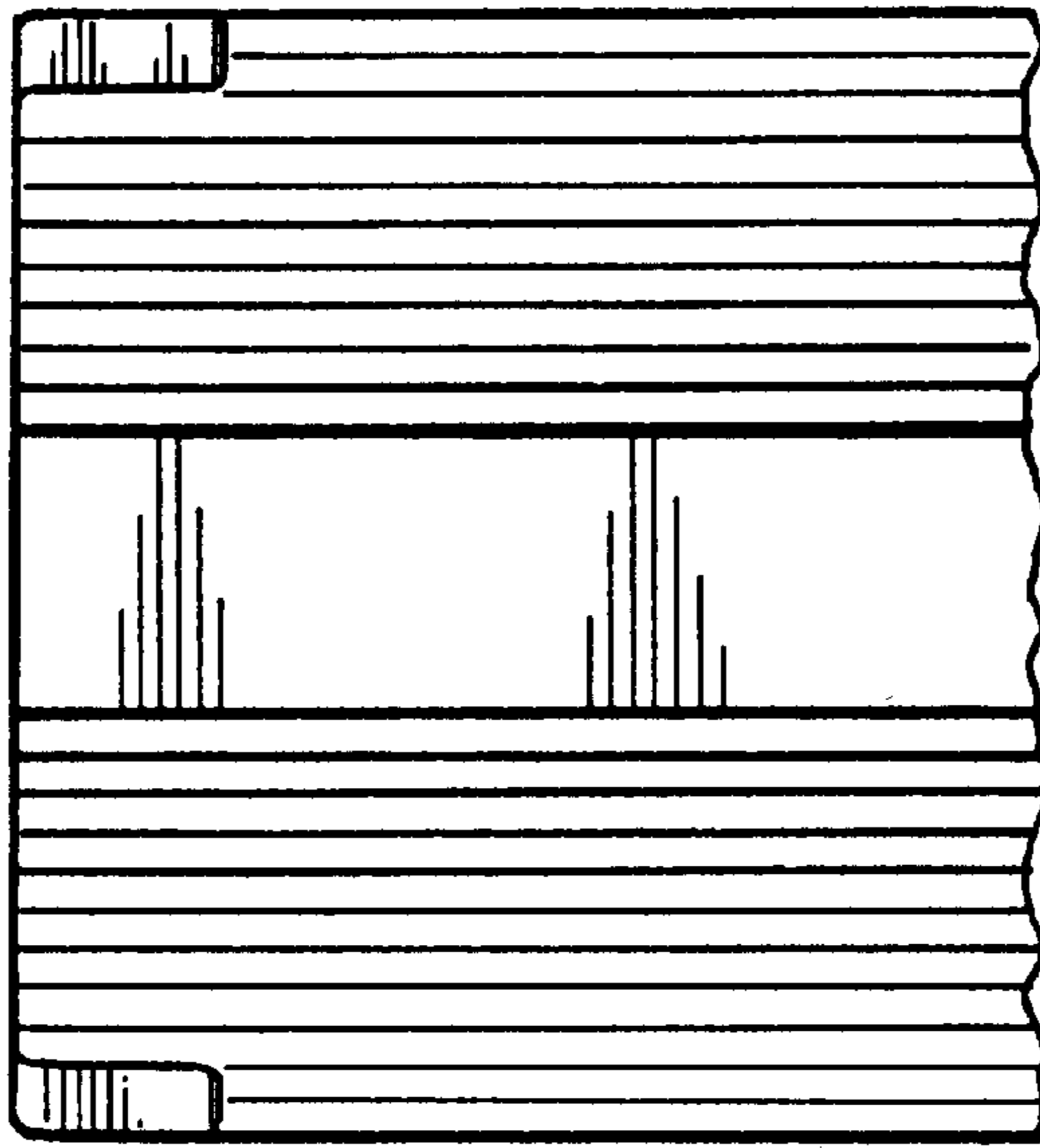


Fig. 4

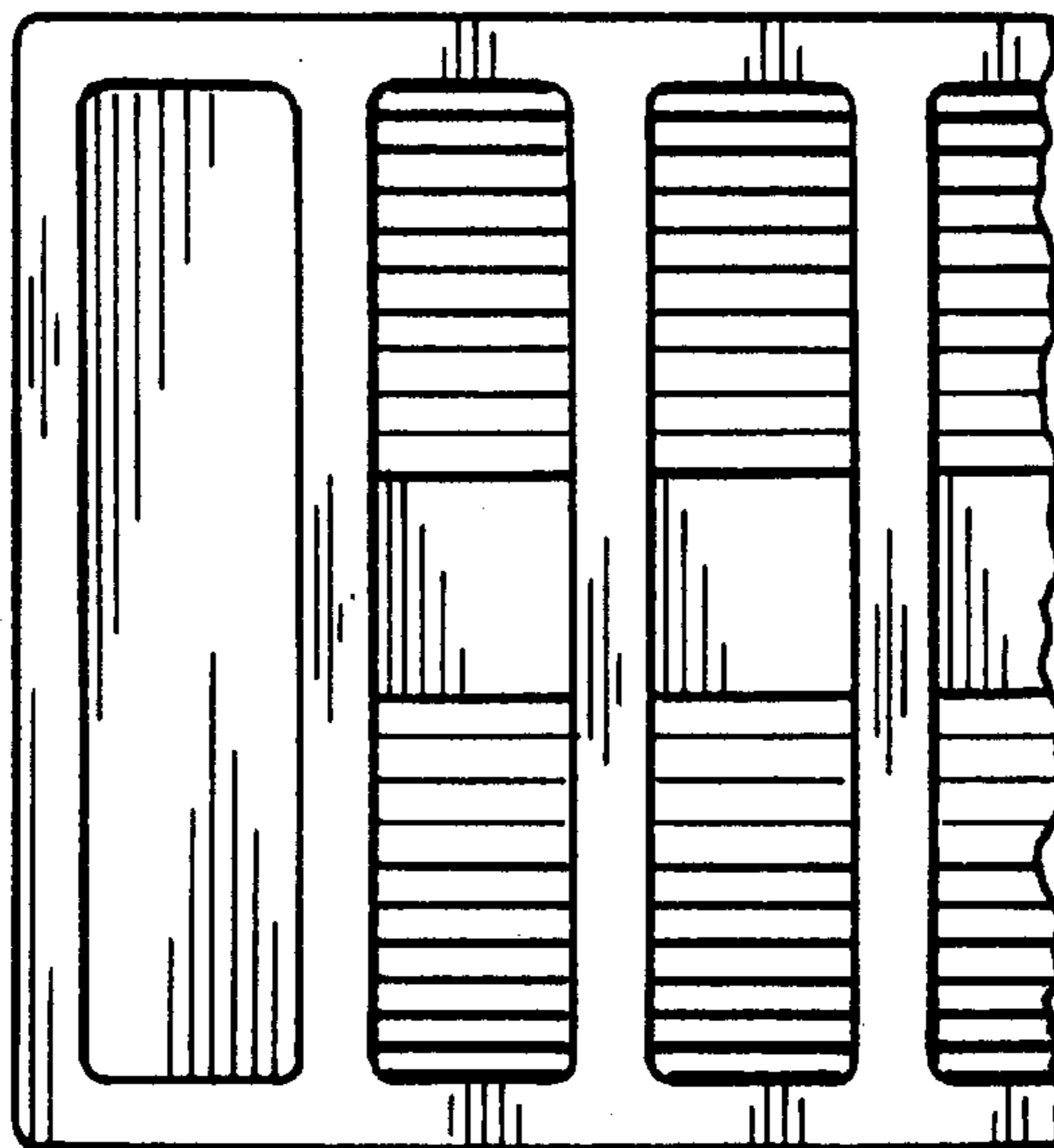


Fig. 5

Fig. 6

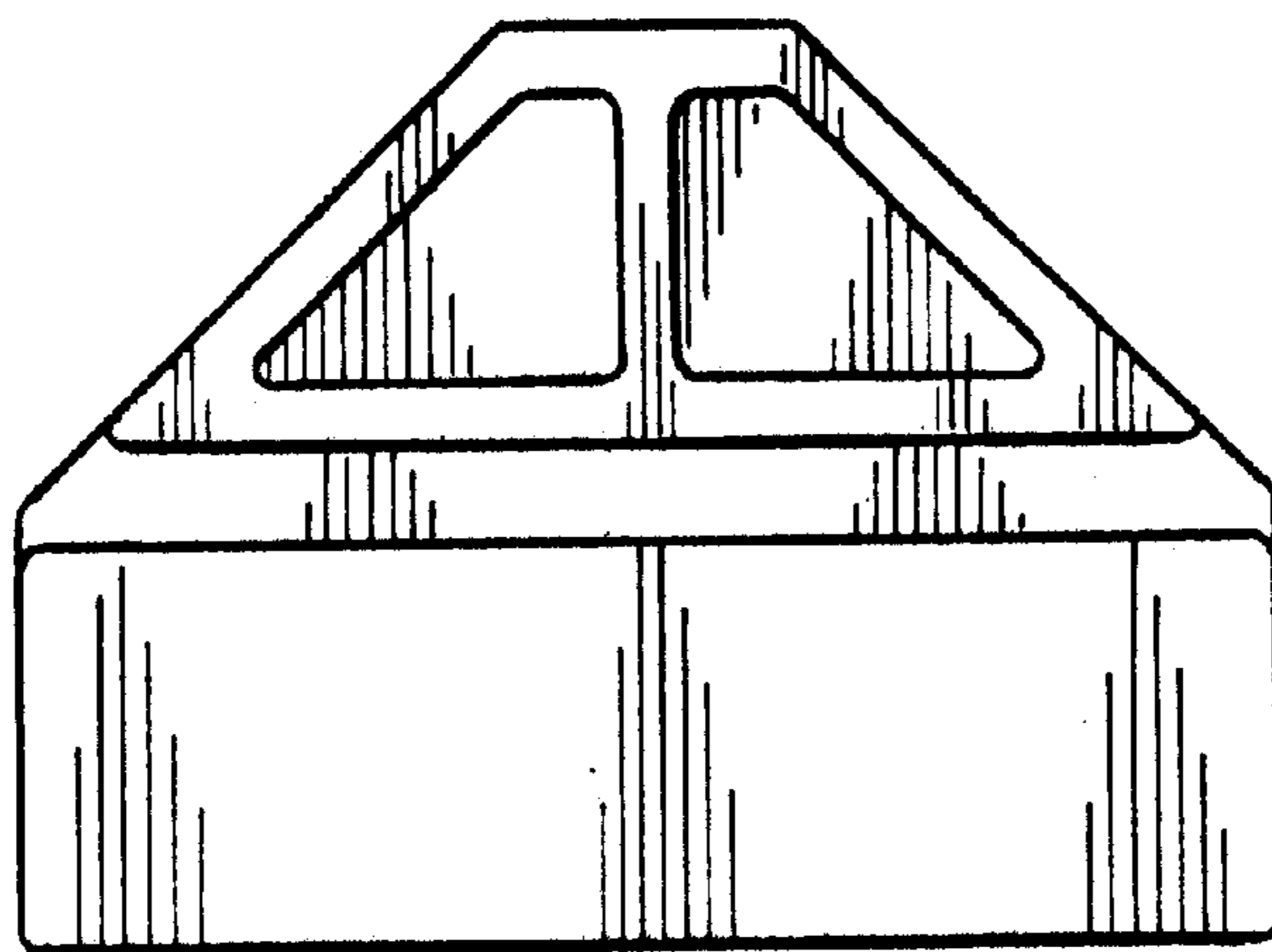
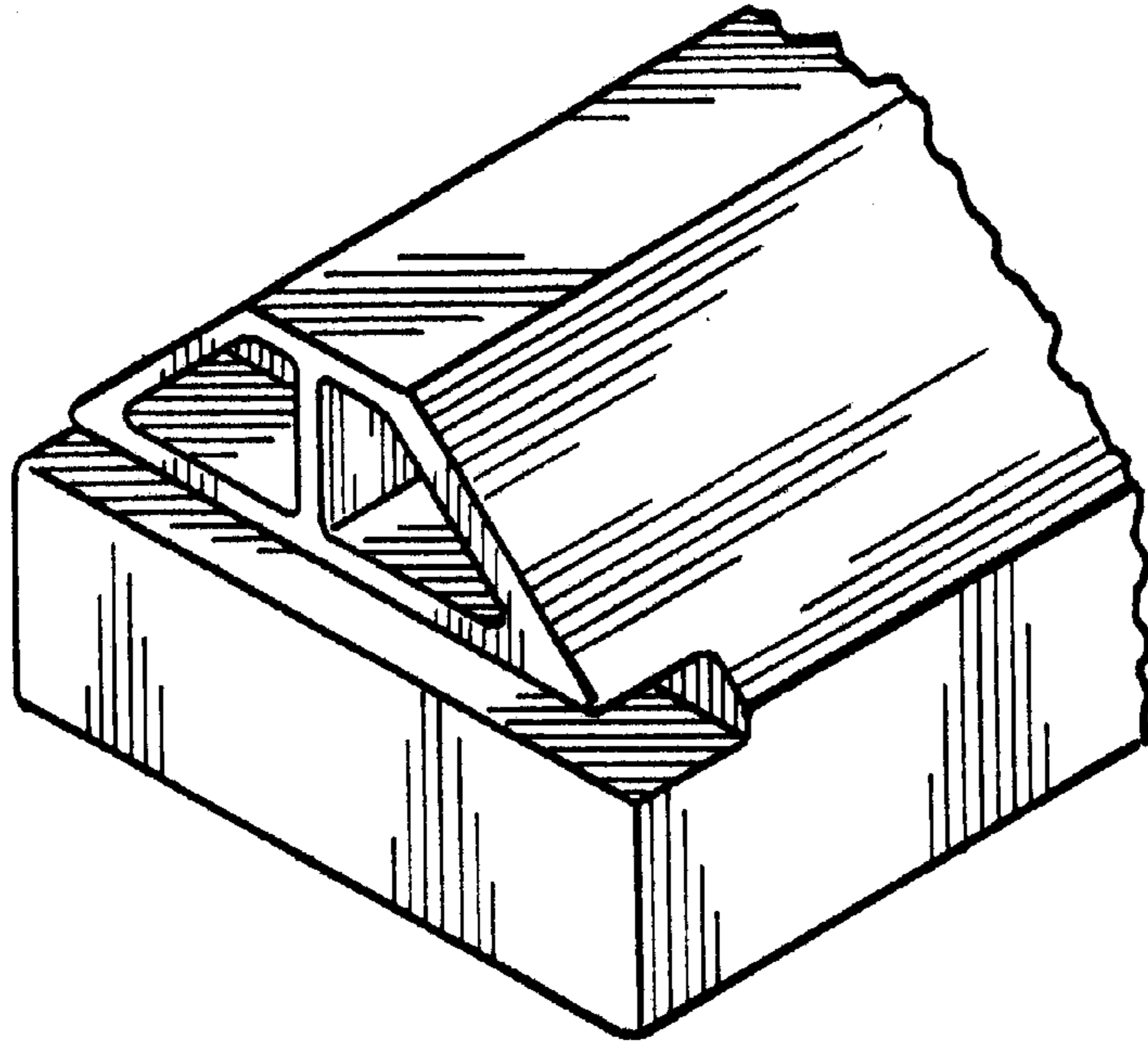


Fig. 7