



US00D448337B1

(12) **United States Design Patent** (10) **Patent No.:** **US D448,337 S**  
**Dale** (45) **Date of Patent:** **\*\* Sep. 25, 2001**

(54) **OAR**

(76) **Inventor:** **Ralph S. Dale**, 815 Jackson St.,  
Ketchikan, AK (US) 99901

(\*\*) **Term:** **14 Years**

(21) **Appl. No.:** **29/119,673**

(22) **Filed:** **Mar. 3, 2000**

(51) **LOC (7) Cl.** ..... **12-06**

(52) **U.S. Cl.** ..... **D12/215**

(58) **Field of Search** ..... D12/215; 440/101,  
440/102; 416/70 R, 71, 74

(56) **References Cited**

**U.S. PATENT DOCUMENTS**

D. 217,840	*	6/1970	Nichols	.....	D12/215
D. 302,147	*	7/1989	Hartt	.....	D12/215
D. 364,598	*	11/1995	Eversole	.....	D12/215
1,807,380	*	5/1931	Butler	.....	416/74
4,264,275	*	4/1981	Roderick, Sr.	.....	416/74
4,610,633	*	9/1986	Freudenberg	.....	440/101

\* cited by examiner

*Primary Examiner*—Kay H. Chin

(74) *Attorney, Agent, or Firm*—Michael J. Tavella

(57) **CLAIM**

The ornamental design for an oar, as shown and described.

**DESCRIPTION**

FIG. 1 is a perspective view of my new design for an oar.

FIG. 2 is a cross-section of my design taken through lines 2—2 of FIG. 1.

FIG. 3 is a cross-section of my design taken through lines 3—3 of FIG. 1;

FIG. 4 is a cross-section of my design taken through lines 4—4 of FIG. 1.

FIG. 5 is a cross-section of my design taken through lines 5—5 of FIG. 1.

FIG. 6 is a cross-section of my design taken through lines 6—6 of FIG. 1.

FIG. 7 is a cross-section of my design taken through lines 7—7 of FIG. 1.

FIG. 8 is a perspective view of a second embodiment of my new design for an oar.

FIG. 9 is a cross-section of a second embodiment of my design taken through lines 9—9 of FIG. 8.

FIG. 10 is a cross-section of a second embodiment of my design taken through lines 10—10 of FIG. 8

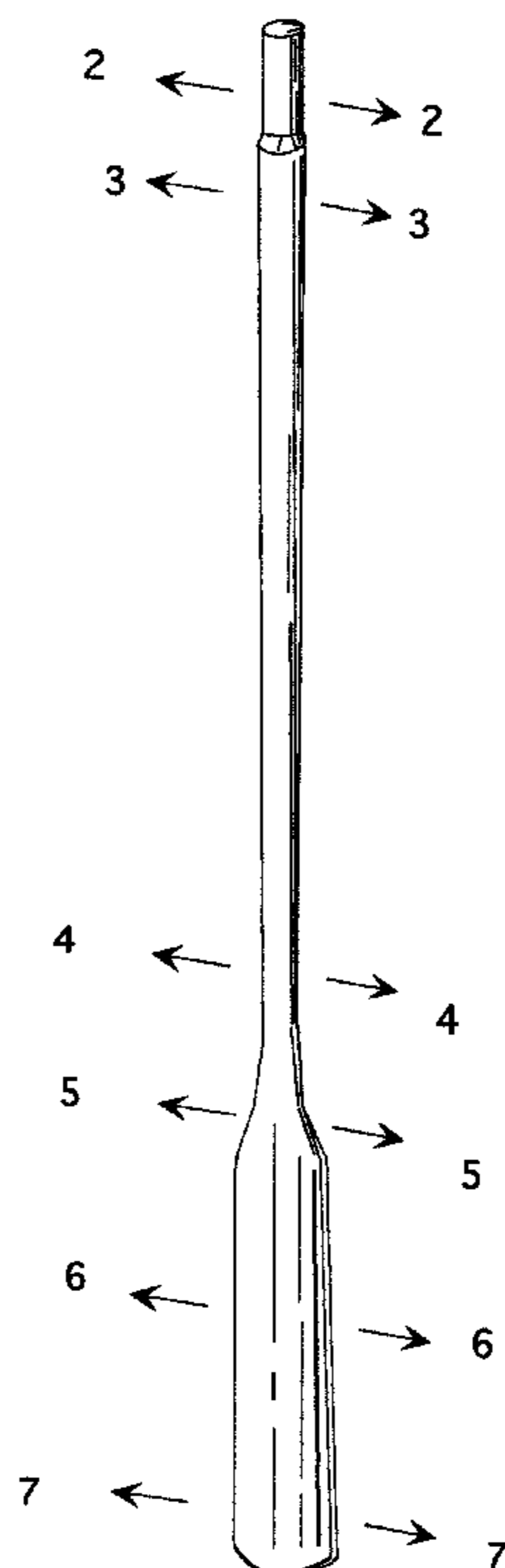
FIG. 11 is a cross-section of a second embodiment of my design taken through lines 11—11 of FIG. 8.

FIG. 12 is a cross-section of a second embodiment of my design taken through lines 12—12 of FIG. 8.

FIG. 13 is a cross-section of a second embodiment of my design taken through lines 13—13 of FIG. 8; and,

FIG. 14 is a cross-section of a second embodiment of my design taken through lines 14—14 of FIG. 8.

**1 Claim, 4 Drawing Sheets**



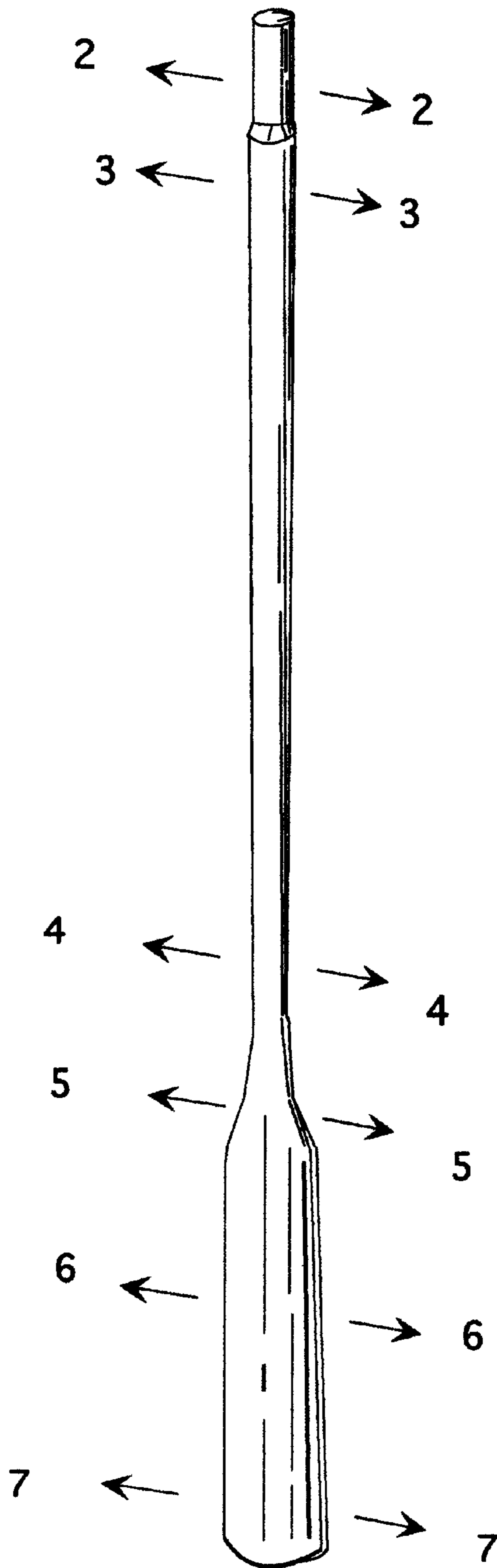


Figure 1

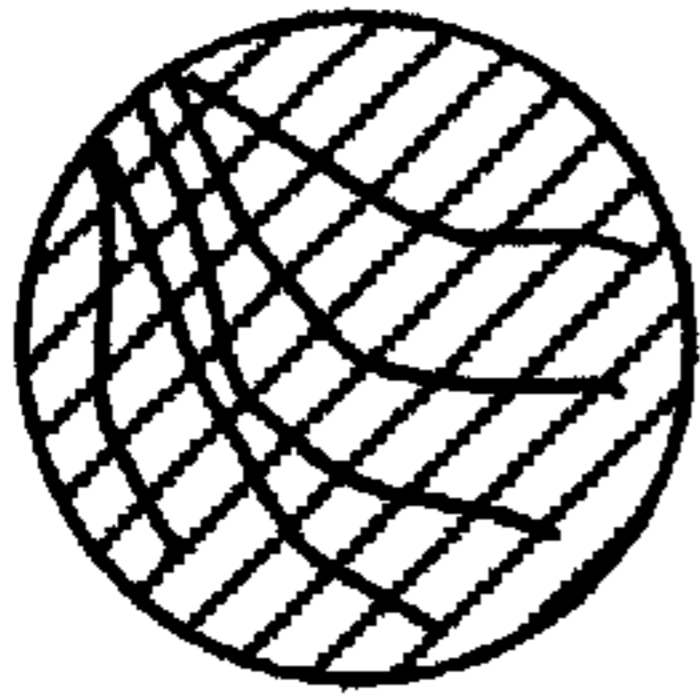


Figure 2

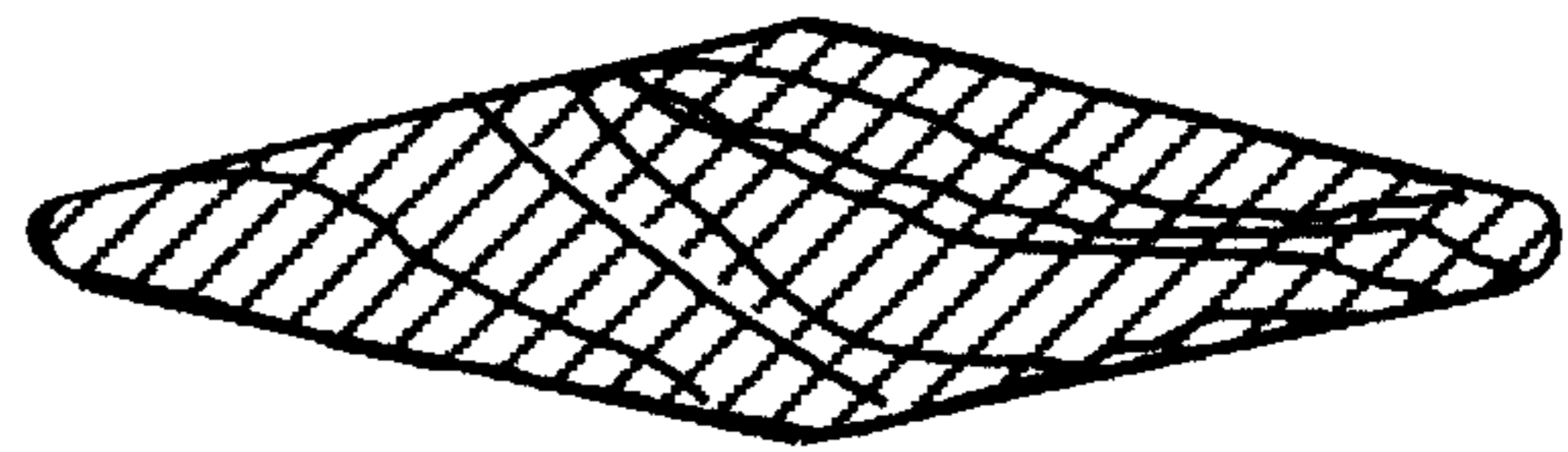


Figure 5

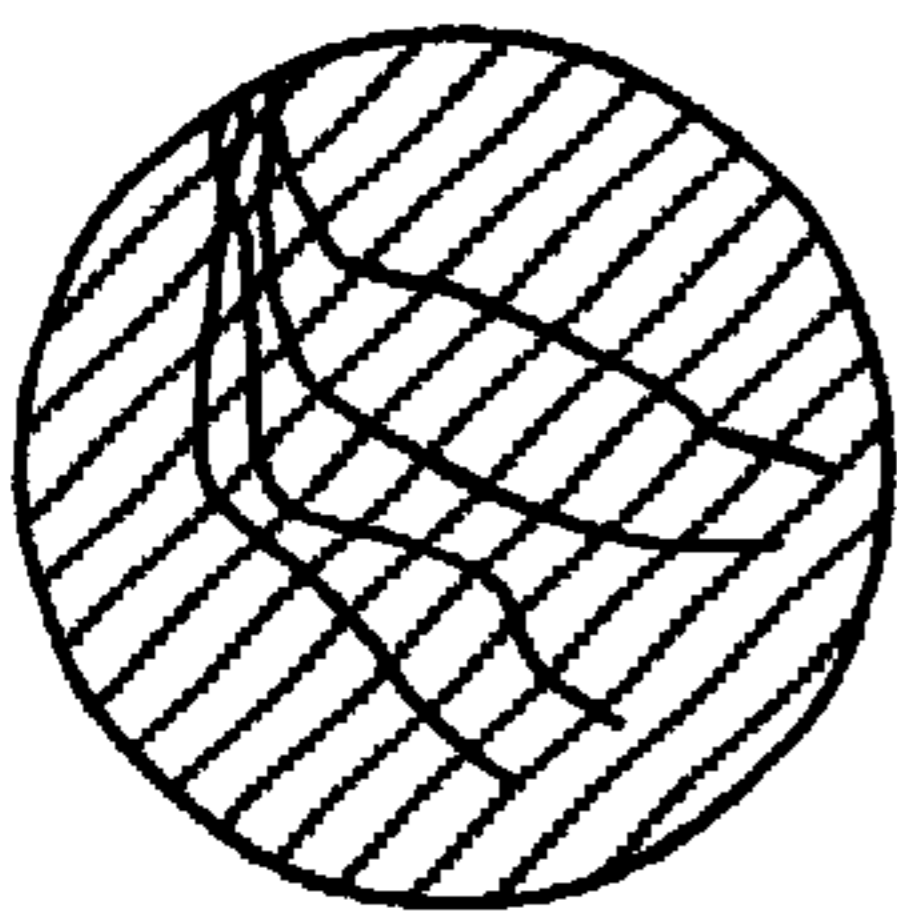


Figure 3

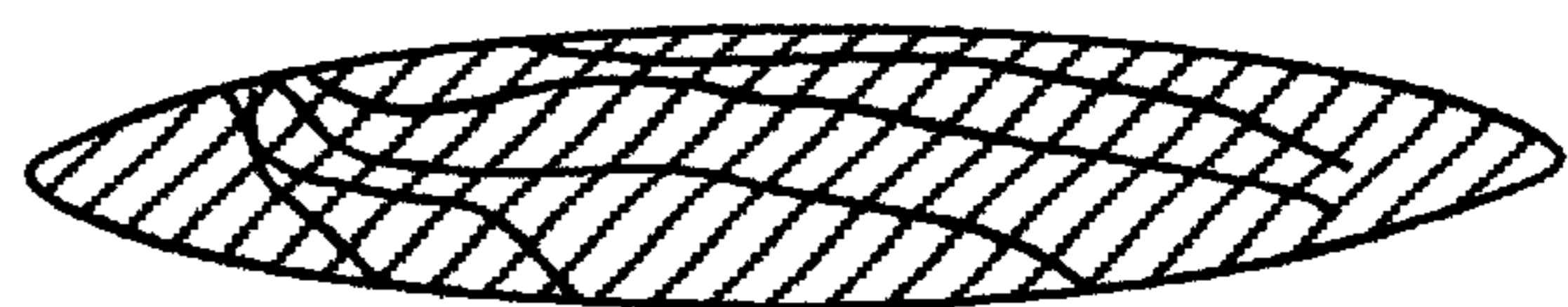


Figure 6

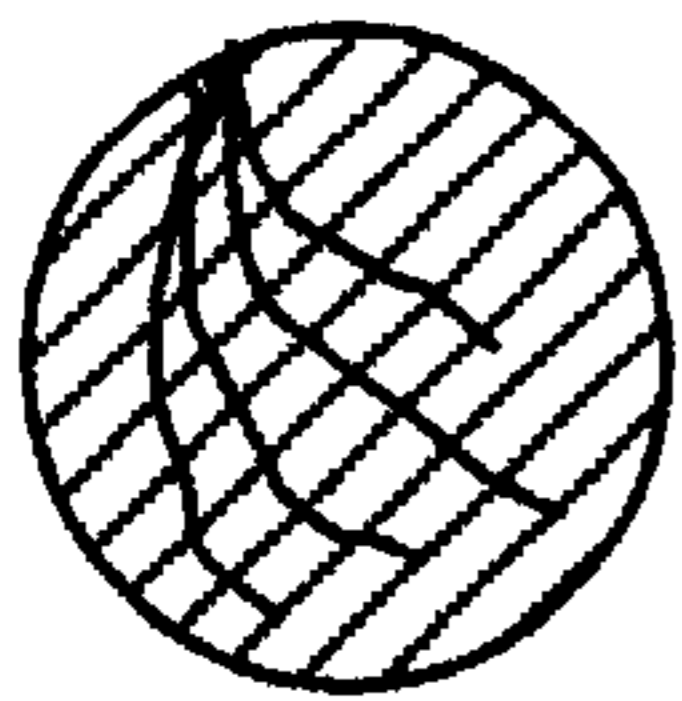


Figure 4



Figure 7

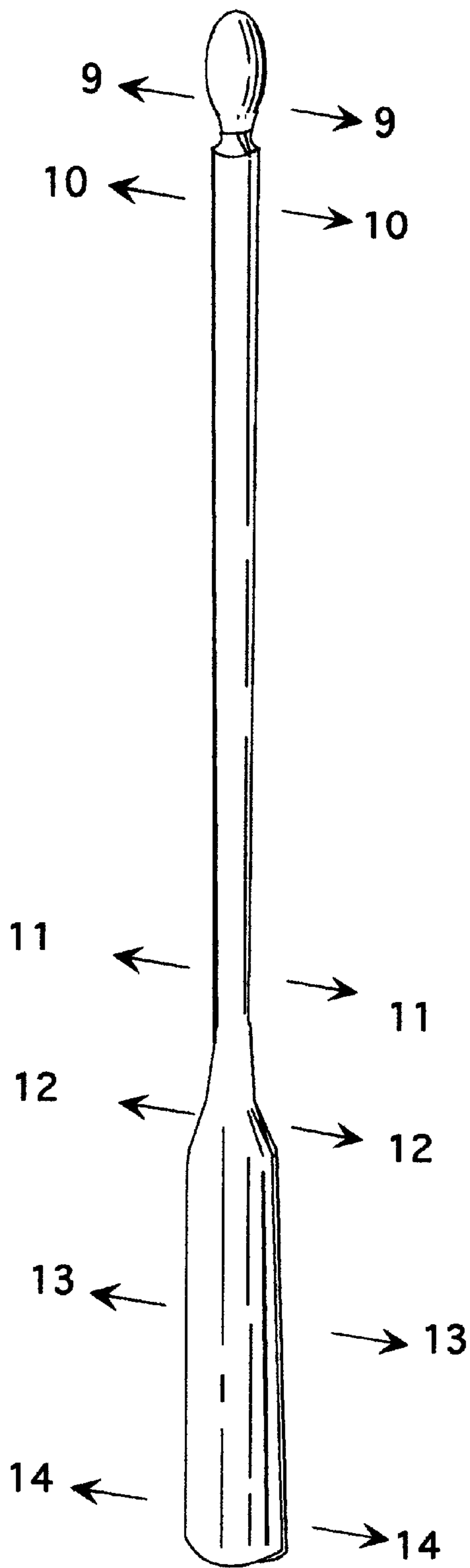


Figure 8

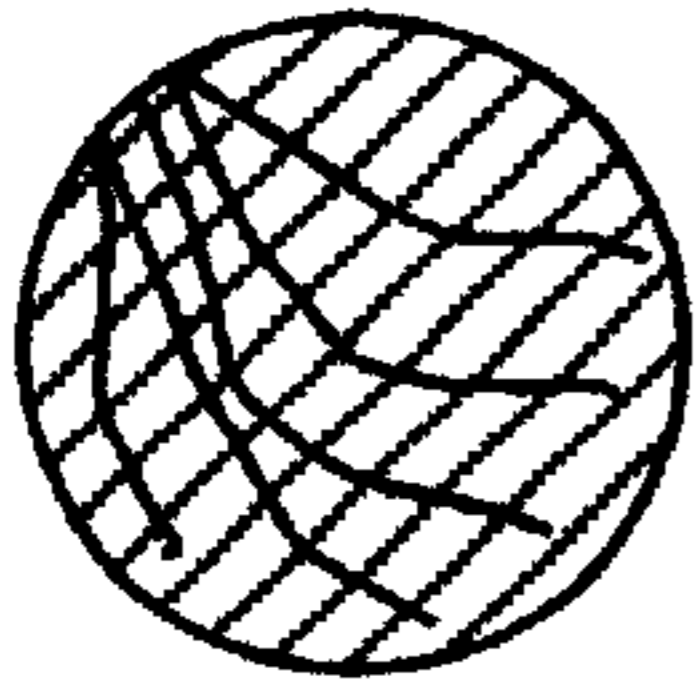


Figure 9

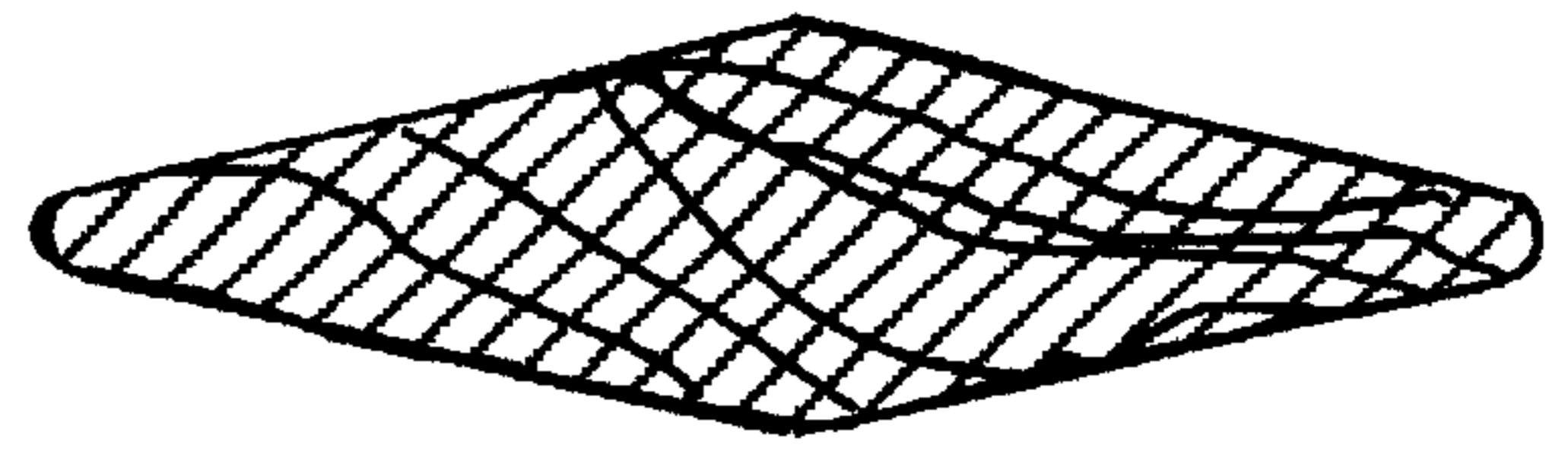


Figure 12

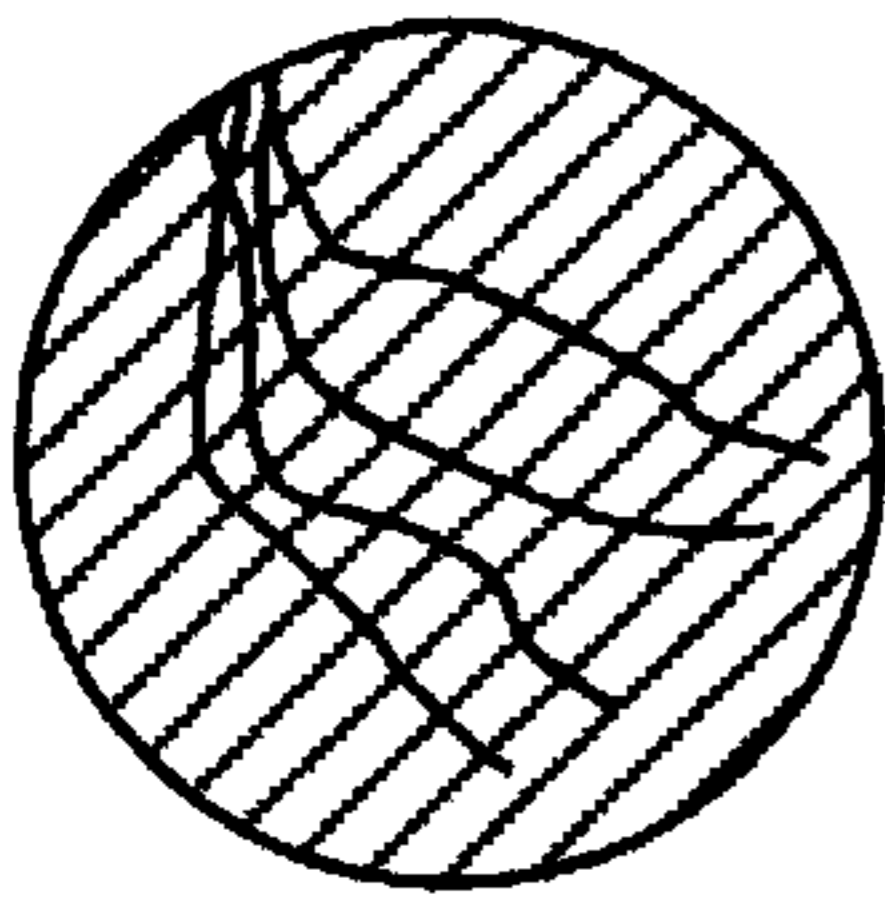


Figure 10

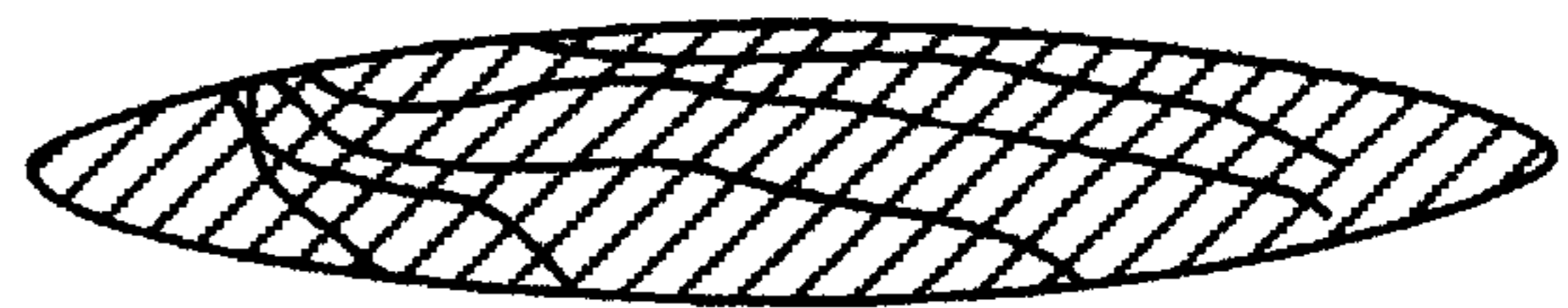


Figure 13

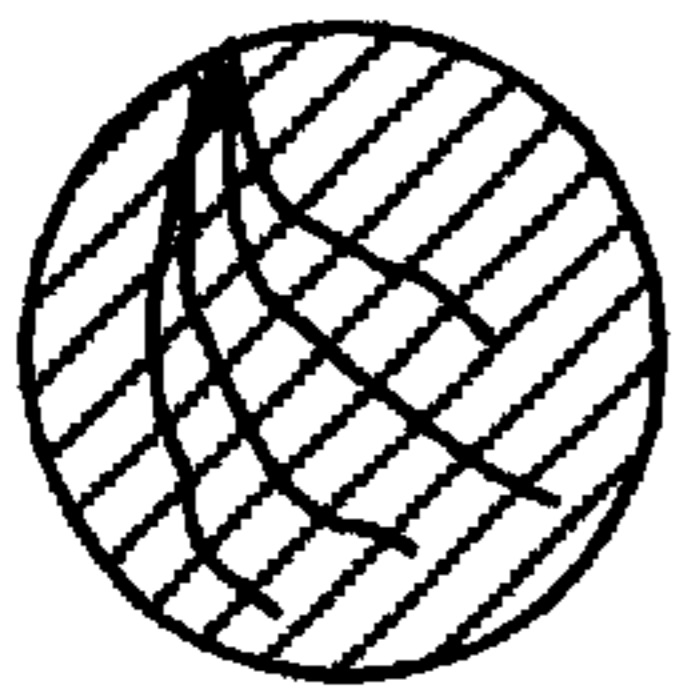


Figure 11



Figure 14